

Зип Общепит

vsezip.ru

+7(812)987-08-81



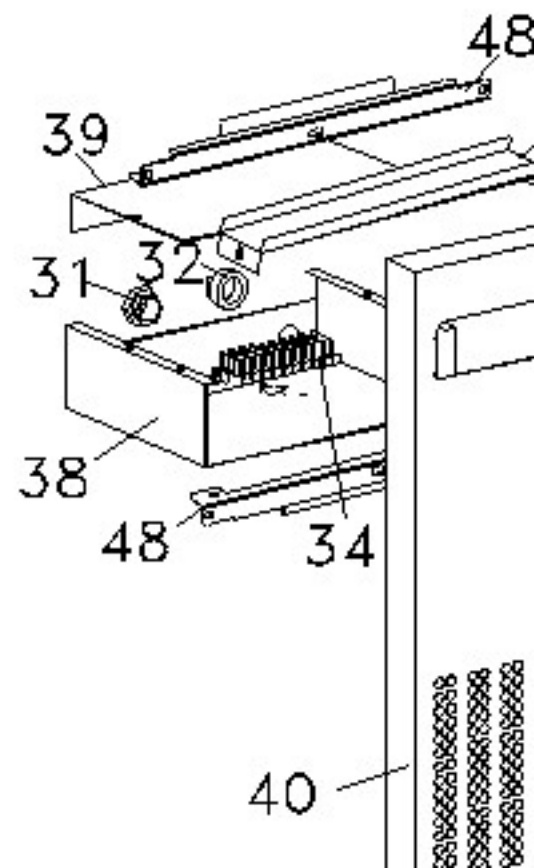
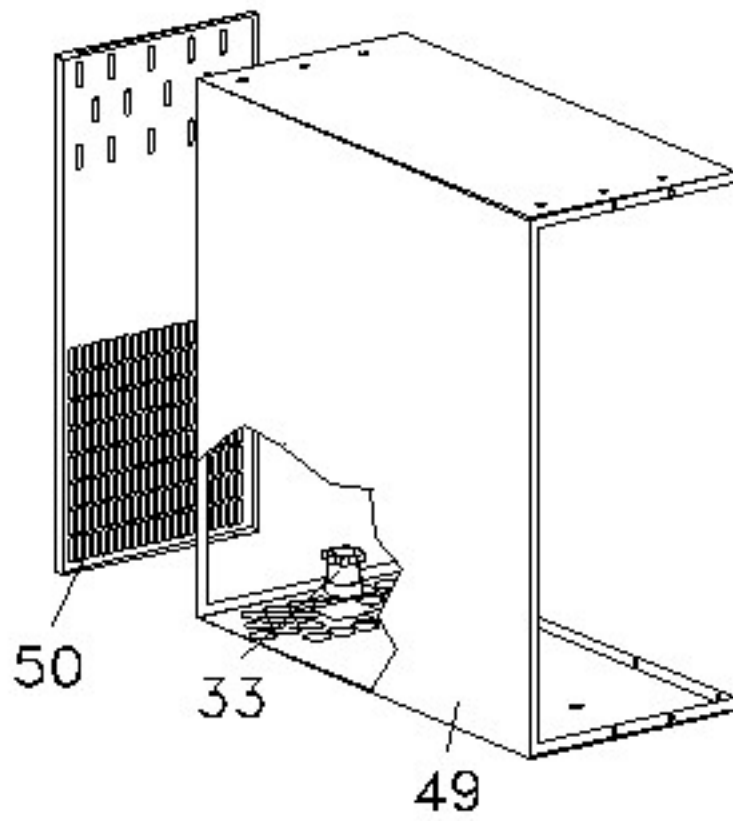
**6SMA2**

**Edition 20040907-**

Зип Общепит

vsezip.ru

+7(812)987-08-81



Зип Общепит

vsezip.ru

+7(812)987-08-81

Num. Cassetti Schublad Drawers Tiroirs Gabetas	1/2	6SMAM 6SMAB 6SMAA 6SMAZ 6SMA	6SMA2M 6SMA2B 6SMA2A 6SMA2Z 6SMA2	6S 6S 6S 6S 6S
--	-----	--	---	----------------------------

Зип Общепит

vsezip.ru

+7(812)987-08-81

Porte Ture Doors Portes Portas Gabetas	SX	6SMAM 6SMAB 6SMAA 6SMAZ 6SMA 1	6SMA2M 6SMA2B 6SMA2A 6SMA2Z 6SMA2 1	6S 6S 6S 6S 6S
	DX	1	-	-

С

Page	Pos	Code	Description	Info
002	003	34D6570	MOTOR UNIT	01/09/1998-
002	004	34D6600	EVAPORATOR ASS.Y	01/09/1998-
002	005	32V1270	RELAY	01/09/1998-
002	006	32V1430	ENGINECUTOUT	01/09/1998-
002	007	33A1200	AUXIL.VALVE	01/09/1998-
002	008	32V1490	CONDENSER	01/09/1998-
002	009	34D6740	COMPRESSOR	01/09/1998-
002	010	32M6870	FAN MOTOR	07/12/2001-
002	011	34D6490	CONDENSER	01/09/1998-
002	013	36C3960	FOOT	15/11/1999-
002	014	30T3440	BOTTOM BRACKET	01/09/1998-
002	015	36C3100	TOP BRACKET	01/09/1998-
002	016	36C3260	TOP BRACKET	01/09/1998-
002	018	32W1930	BIPOLARSWITCH	01/09/1998-
002	019	32V6900	DIGITAL THERMOREGULATOR	10/02/2003-
002	021	34D6430	EVAPORATOR	01/09/1998-
002	022	32M6000	TANGENTIAL FAN	23/11/1998-
002	023	40A1756	BODY	01/09/1998-
002	026	30T3430	RISER	01/09/1998-
002	027	30T3550	HORIZONTALRISER	01/09/1998-
002	031	32D0220	CABLE CLAMP Ø 16	01/09/1998-
002	032	32D0680	CABLE CLAMP	01/09/1998-
002	033	32D0700	CABLE CLAMP	01/09/1998-
002	034	32D0750	TERMINAL BOARD	01/09/1998-
002	035	32M2510	FAN	01/09/1998-
002	036	33A0180	FILTER	01/09/1998-
002	037	35C8630	FRAME	01/09/1998-
002	038	35G9740	PANEL BOARD	27/10/2001-
002	039	35G9750	PANEL-BOARDCOVER	27/10/2001-
002	040	35G9700	CONTROL BOARD	27/10/2001-
002	041	35P0460	CONVEYOR	01/09/1998-
002	042	35P0490	FAN GUARD	01/09/1998-
002	043	35P0500	FAN GUARD	01/09/1998-
002	044	35P0510	SUPPORT	01/09/1998-
002	045	35P0590	LEFT EVAP.GUARD	01/09/1998-
002	046	35P0600	RIGHTEVAP.GUARD	01/09/1998-
002	047	35R4400	EVAP.SUPPORT	01/09/1998-
002	048	35G9730	SUPPORT	27/10/2001-
002	049	35H2640	SUPPORT	27/10/2001-
002	050	35R4640	BACKPANEL	01/09/1998-
002	051	35R5100	CONTROL BOARD	01/09/1998-
002	052	35R5660	FASTENING PLATE	01/09/1998-
002	053	35S3050	TRAY SLIDE	01/09/1998-
002	054	35V3470	GUIDE SUPPORT	01/09/1998-
002	056	35W3090	TRAY	01/09/1998-
002	057	36C2031	FAN GUARD	01/09/1998-
002	058	36D4610	BUSHING	01/09/1998-
002	059	36E4780	CONDENS. DRAIN	07/09/2004-
002	060	36E0350	CABLE CAMP	01/09/1998-
002	061	36E0890	TRIM FRAME	01/09/1998-
002	062	36E0910	TRIM FRAME	01/09/1998-

Page	Pos	Code	Description	Info
002	063	36E0930	TRIM FRAME	01/09/1998-
002	064	36E0970	TRIM FRAME	01/09/1998-
002	065	36G8640	SUPPORT	01/09/1998-
002	066	36G8660	BUSHING	01/09/1998-
002	068	36Q1200	PLUG	01/09/1998-
002	069	36Q1560	PLUG	01/09/1998-
002	070	36Z0300	COND. TRAY	01/09/1998-
002	071	36Z0490	ENGINE CUTOUT	01/09/1998-
002	072	37M9400	CONTROL BOARD	01/09/1998-
002	073	35H2930	PANEL-BOARDCOVER	27/10/2001-
003	001	30W3330	DRAWER FRAME	01/09/1998-
003	002	35R5130	GUIDE SUPP.	01/09/1998-
003	003	35R5120	GUIDE SUPP.	01/09/1998-
003	004	36M5380	TELESCOPIC LH GUIDE	01/09/1998-
003	005	36M5390	TELESCOPIC RH GUIDE	01/09/1998-
003	006	35R5140	SUPPORT	01/09/1998-
003	007	37Q3950	GASKET	01/09/1998-
003	008	30F0330	DRAWER UNIT 1/2	01/09/1998-
003	009	36D3820	PLUG	01/09/1998-
003	010	6008640	DRAWER REPLACEM 1/2	01/09/1998-
004	001	30F0120	DOOR	01/09/1998-
004	002	36D0630	PLUG	01/09/1998-
004	003	36D3820	PLUG	01/09/1998-
004	004	37Q3870	GASKET	01/09/1998-
004	005	6008620	LEFT DOOR REPLACE	01/09/1998-
004	006	6008630	RIGHT DOOR REPLAC	01/09/1998-