

Зип Общепит

vsezip.ru

+7(812)987-08-81



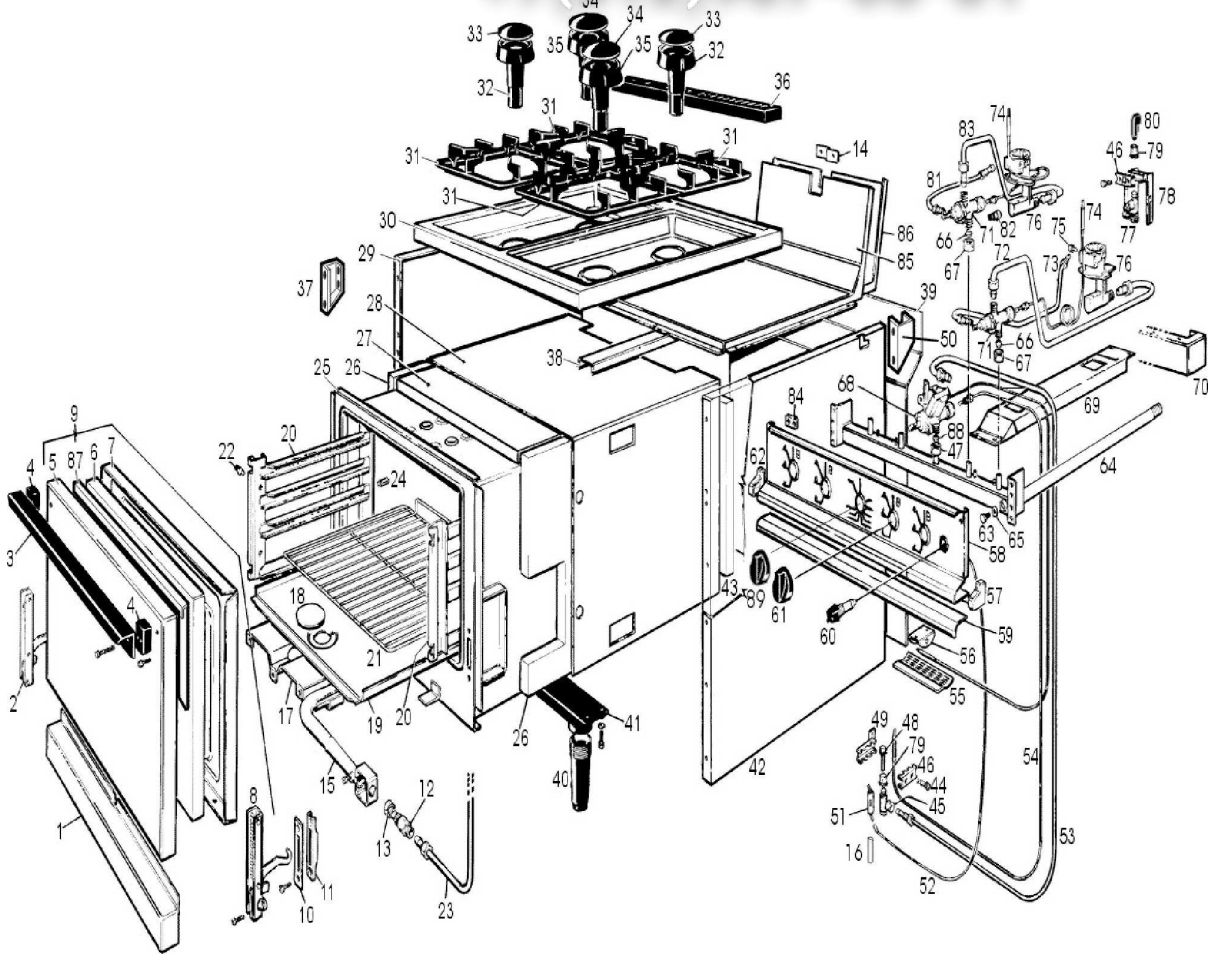
31

Edition 20100127-

Зип Ощепит

vsezip.ru

+7(812)987-08-81



| Pos | Code | Description | Info |
|-----|---------|-------------------------|-------------|
| 001 | 35B2190 | LOWER FRONT PANEL | 01/11/1995- |
| 002 | 36M2430 | LEFT HAND HINGE | 01/11/1995- |
| 003 | 36M3590 | HANDLE | 01/11/1995- |
| 004 | 36M3720 | SPACER | 01/11/1995- |
| 005 | 35G6460 | OVEN DOOR | 01/11/1995- |
| 006 | 37Q2361 | INSULATING PANEL | 01/11/1995- |
| 007 | 35G6470 | INNER DOOR FRAME ASS. Y | 01/11/1995- |
| 008 | 36M2420 | RIGHT-HAND HINGE | 01/11/1995- |
| 009 | 6001611 | OVEN DOOR ASS. Y | 01/11/1995- |
| 010 | 35U3170 | FLAT BRACKET | 01/11/1995- |
| 011 | 36M0270 | HINGE CATCH | 01/11/1995- |
| 012 | 3035340 | NOZZLE HOUSING | 24/07/2006- |
| 013 | 36Q1110 | LOCK NUT 3/8" | 01/11/1995- |
| 014 | 35U3180 | ""Z"" BRACKET" | 01/11/1995- |
| 015 | 34A1520 | OVEN BURNER | 01/11/1995- |
| 016 | 131AA46 | HOSE 8'X40 | 01/11/1995- |
| 017 | 35D4330 | FLAME DEFLECTOR | 01/11/1995- |
| 018 | 30D1260 | OVEN PLATE HOLE COVER | 01/11/1995- |
| 019 | 35D4340 | OVEN BOTTOM PLATE | 01/11/1995- |
| 020 | 30T2560 | TRAY RACK ASS. Y | 01/11/1995- |
| 021 | 36M3070 | OVEN GRID | 01/11/1995- |
| 022 | 36G3680 | BUSHING Ø 8 | 01/11/1995- |
| 023 | 35X3220 | PIPE | 01/11/1995- |
| 024 | 36G2590 | PIN | 01/11/1995- |
| 025 | 30D1602 | GAS OVEN ASS. Y | 01/11/1995- |
| 026 | 37Q2331 | INSULATING PANEL | 01/11/1995- |
| 027 | 37Q2341 | INSULATING PANEL | 01/11/1995- |
| 028 | 35B2091 | INSULATION PANEL COVER | 01/11/1995- |
| 029 | 35C0530 | LH PANEL | 01/11/1995- |
| 030 | 30M1821 | TOP ASS. Y | 01/11/1995- |
| 031 | 36A2600 | PAN REST | 01/11/1995- |
| 032 | 34A1380 | BURNER Ø 90 | 01/11/1995- |
| 033 | 34A1123 | BURNER CAP Ø 90 | 01/11/1995- |
| 034 | 34A1133 | BURNER CAP Ø 110 | 01/11/1995- |
| 035 | 34A1391 | BURNER Ø 110 | 01/11/1995- |
| 036 | 35B2070 | FLUE GUARD | 01/11/1995- |
| 037 | 35Q8290 | LEFT HAND PANEL | 01/11/1995- |
| 038 | 35S0220 | "U" BRACKET | 01/11/1995- |
| 039 | 35B2182 | REAR PANEL | 15/01/1996- |
| 040 | 36D4000 | ADJUSTABLE FOOT | 01/11/1995- |
| 041 | 30T2571 | FOOT HOUSING ASS. Y | 01/11/1995- |
| 042 | 35C0580 | RH PANEL | 01/11/1995- |
| 043 | 37Q2350 | INSULATING PANEL | 01/11/1995- |
| 044 | 33A0980 | SCREW 3/16W. X18TE | 01/11/1995- |
| 045 | 33A2900 | PILOT BURNER BODY | 01/11/1995- |
| 046 | 33A0950 | REAR BRACKET | 01/11/1995- |
| 047 | 36Q0050 | BICONE NUT Ø 12 | 01/11/1995- |
| 048 | 33A1081 | THREE-FLAME BURNER | 24/04/2008- |
| 049 | 33A1000 | FRONT BRACKET | 01/11/1995- |
| 050 | 35Q8300 | RIGHT HAND PANEL | 01/11/1995- |
| 051 | 32T0010 | IGNITION PLUG | 27/01/2010- |

| Pos | Code | Description | Info |
|-----|---------|-----------------------|-------------|
| 052 | 32A0061 | CABLE "HF" 1100MM | 01/11/1995- |
| 053 | 35X3230 | PIPE | 01/11/1995- |
| 054 | 33A0520 | THERMOCOUPLE | 01/11/1995- |
| 055 | 35Q1090 | BULB GUARD | 01/11/1995- |
| 056 | 35U4210 | ""U"" BRACKET" | 01/11/1995- |
| 057 | 36D3420 | RH END SIDE | 01/11/1995- |
| 058 | 35C5060 | UPPER CONTROL BOARD | 01/11/1995- |
| 059 | 35S1290 | BRACKET | 01/11/1995- |
| 060 | 32T0130 | PIEZO IGNITION | 01/11/1995- |
| 061 | 36M3050 | GAS CONTROL KNOB | 01/11/1995- |
| 062 | 36D3430 | LH END SIDE | 01/11/1995- |
| 063 | 31A7380 | SCREW TE M5X10 | 01/11/1995- |
| 064 | 30Z1020 | GAS MANIFOLD ASS. Y | 01/11/1995- |
| 065 | 3128460 | WASHER | 01/11/1995- |
| 066 | 36Q0080 | BICONE Ø 10X6.5 | 01/11/1995- |
| 067 | 36Q0830 | BICONE NUT Ø 10 | 01/11/1995- |
| 068 | 33A2840 | THERMOSTATIC VALVE | 01/11/1995- |
| 069 | 35S0140 | CROSS MEMBER | 01/11/1995- |
| 070 | 35Z0130 | LON. SECTION SUPPORT | 15/01/1996- |
| 071 | 33D1170 | GAS CONTROL | 01/11/1995- |
| 072 | 35Z7430 | PIPE | 01/11/1995- |
| 073 | 35Z7410 | PIPE | 01/11/1995- |
| 074 | 33A0680 | THERMOCOUPLE M8X1X600 | 13/06/2001- |
| 075 | 31B8800 | SCREW | 01/11/1995- |
| 076 | 36D2771 | BURNER SUPPORT | 01/11/1995- |
| 077 | 33A0200 | PILOT BURNER ASS.Y | 01/11/1995- |
| 078 | 35V9130 | PILOT BURNER SUPPORT | 01/11/1995- |
| 079 | 33A0970 | RING NUT | 01/11/1995- |
| 080 | 33A1070 | ONE-FLAME BURNER | 01/11/1995- |
| 081 | 35Z7400 | PIPE | 01/11/1995- |
| 082 | 32Z1520 | VALVE MAGNET | 01/11/1995- |
| 083 | 35Z7420 | PIPE | 01/11/1995- |
| 084 | 35T9650 | FLAT BRACKET | 01/11/1995- |
| 085 | 35D4300 | HALF FLUE FRONT PLATE | 01/11/1995- |
| 086 | 35D4320 | HALF FLUE REAR PLATE | 01/11/1995- |
| 087 | 35V0700 | SPACER | 01/11/1995- |
| 088 | 36Q0030 | BICONE Ø12X8 | 01/11/1995- |
| 089 | 36M2390 | GAS CONTROL KNOB | 01/11/1995- |