

Зип Общепит

vsezip.ru

+7(812)987-08-81



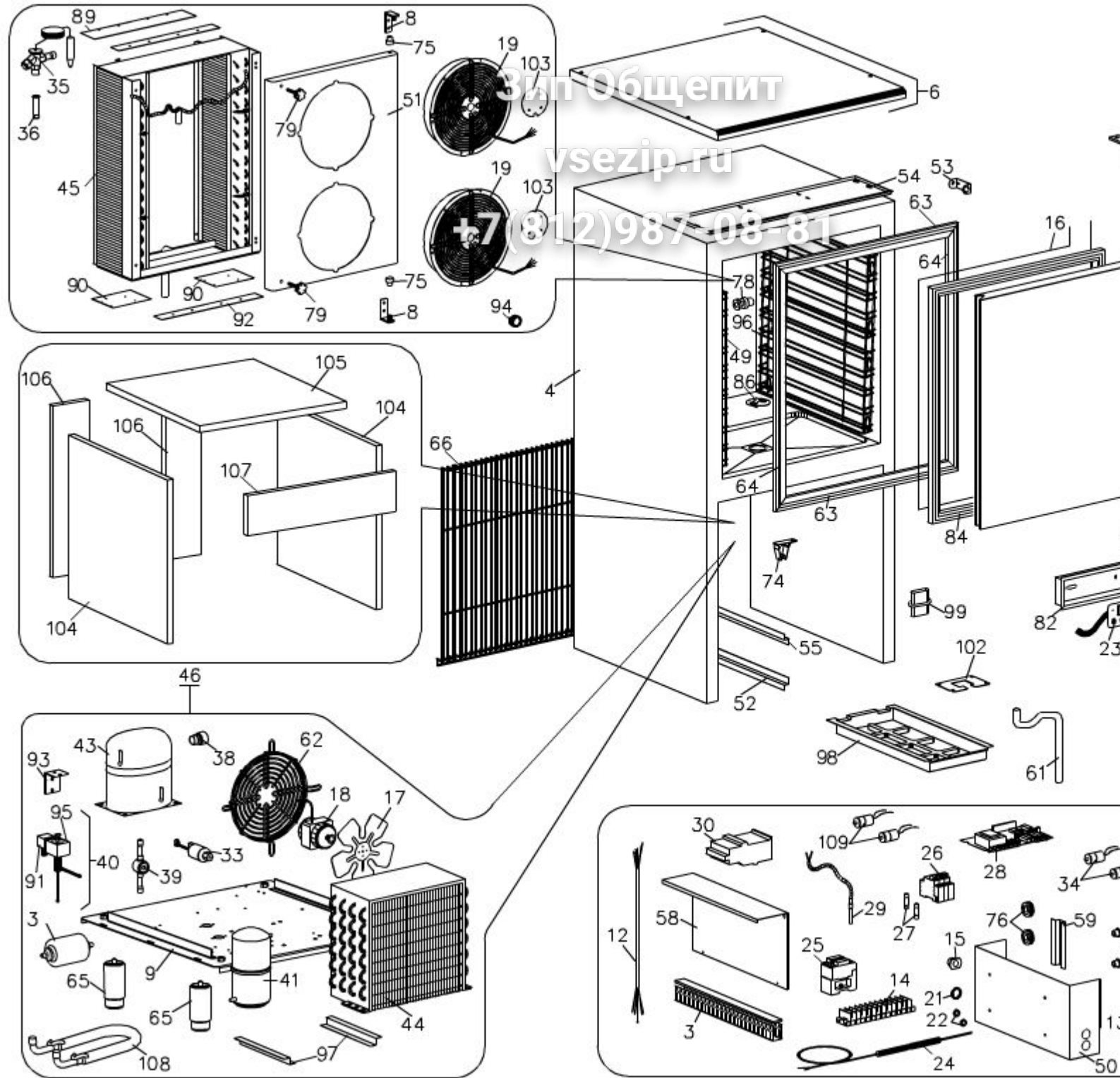
SM2L

Edition 20040204-

Зип-Общепит

vsezip.ru

+7(812)987-08-81



Pos	Code	Description	Info
002	3178300	PLUG	01/07/1997-
004	30D5700	FRAME	26/10/1997-
005	30F0460	DOOR	01/07/1997-
005	30F0930	DOOR	26/10/2001-
006	6006300	TOP	01/07/1997-
007	35C5600	BOTTOM BRACKET	24/05/2000-
008	30T2690	BRACKET	01/07/1997-
009	30W4150	TRAY X ASSEMBLY	07/01/2002-
011	36G9570	PIN	16/03/2001-
012	32A1960	POWER SUPPLY CABLE	01/07/1997-
013	32D0220	CABLE CLAMP Ø 16	01/07/1997-
014	32D1300	TERMINAL BOARD	01/07/1997-
015	32D1350	CABLE CLAMP	01/07/1997-
016	32G2280	HEATING ELEMENT	01/07/1997-
017	32M5311	FAN	28/07/1997-
018	32M4701	MOTOR	28/07/1997-
019	32M6850	FAN	04/02/2004-
020	32W1890	MICROSWITCH	01/07/1997-
021	32X0120	GROMMET Ø 21	01/07/1997-
022	32X0220	FAIRLEAD	01/07/1997-
023	32V3060	ELECTRONIC CARD (NR. 2 DISPLAY	12/05/2001-
024	32V0441	PIN PROBE	12/05/2001-
025	32Z9250	SWITCH	01/07/1997-
026	32Z9500	FUSE-HOLDER	01/07/1997-
027	32Z9520	FUSE	01/07/1997-
028	32V3040	ELECTRONIC CARD	12/05/2001-
029	32V0150	TEMP. PROBE	12/05/2001-
030	32Z7960	RELAY	01/07/1997-
033	32Z9910	PRESSURE-SWITCH	01/07/1997-
034	32Z9920	CONDENSER	01/07/1997-
035	33A0500	THERMOST. VALVE	01/07/1997-
036	33A0310	ORIFICE	04/09/1997-
037	33A0350	FILTER	01/07/1997-
038	33A1200	AUXIL.VALVE	01/07/1997-
039	33D0740	FLOW-ON LIGHT	01/07/1997-
040	33G0070	VALVE	01/07/1997-
041	33G1170	DRIP TRAY	15/05/2002-
043	34D5170	COMPRESSOR	01/07/1997-
044	34D5190	CONDEN.+BAFFLE	01/07/1997-
045	34D6380	EVAPORATOR	08/11/1998-
046	34E0470	MOTOR ASS.Y	07/01/2002-
046	34E1130	MOTOR UNIT	20/12/2002-
049	36C3790	RACK 6T NF	21/06/1999-
049	36C4060	LH RACK	03/09/1999-
050	35C6380	PANEL BOARD	01/07/1997-
051	3AA3670	EVAP. GUAR	12/05/2000-
052	35C5830	GUIDE	01/07/1997-
053	35C6250	PROBE SUPPORT	01/07/1997-
054	35C5940	"OMEGA" BRACKET	01/07/1997-
055	35C7250	GUIDE	01/07/1997-
058	35G3370	COVER	01/07/1997-

Pos	Code	Description	Info
059	35S4540	"OMEGA" BRACKET	01/07/1997-
061	35X4410	DRAIN PIPE	01/07/1997-
062	36C3061	FAN.PROT.	11/05/1999-
063	36C2390	TRIM FRAME	01/07/1997-
064	36C2411	TRIM FRAME	26/10/1997-
065	36C3690	ST-STEEL FO	07/01/2002-
065	36C4920	ST-STEEL FO	07/01/2002-
066	36E1450	PROTECT GRI	12/07/1999-
067	36C2750	SPACER	01/07/1997-
068	36D4440	PIN	01/07/1997-
070	36D9490	TOP BRACKET	01/07/1997-
073	36E0340	SPACER	12/05/2001-
074	36E0350	CABLE CAMP	01/07/1997-
075	36E0410	BUSHING	01/07/1997-
076	36G3940	PULLEY	01/07/1997-
077	36G6520	HINGE	01/07/1997-
078	36G8140	PIN	01/07/1997-
079	36G9560	HANDLE	16/03/2001-
080	3600770	SPACER	01/07/1997-
081	3AA2480	PROTECTION	01/07/1997-
082	36Z1140	CARD PROTECTION	12/05/2001-
083	37N0480	SILK-SCREE.PANEL	12/05/2001-
084	37Q3800	GASKET	26/10/1997-
085	3AA3480	CONTROL BOARD	12/05/2001-
086	30G3710	PLUG	01/07/1997-
087	6009030	DOOR UNIT	01/07/1997-
087	6013330	DOOR ASS.Y	26/10/2001-
088	32Q4000	CABLE ASS.Y	01/07/1997-
089	35P0440	TOP EVAP. HEAD	12/12/1997-
090	35P0450	BOTTOM EVAP. HEAD	12/12/1997-
091	32D0710	THREE-POLE CONNECTOR	16/05/1998-
092	35P1960	EVAP. HEAD	03/05/1999-
093	35R1500	SUPPORT	01/07/1997-
094	36Z0490	ENGINE CUTOUT	01/07/1997-
095	32Z2750	COIL	01/07/1997-
096	36C4050	RH RACK	03/09/1999-
097	35R8420	""""S""""FRAME"	12/11/1999-
098	36Z0300	COND. TRAY	12/11/1999-
099	33Q4390	COUPLING TUBES	12/11/1999-
100	36G9410	PIN	24/05/2000-
101	36E2030	SPACER	12/05/2001-
102	35Y2550	PLATE	15/06/2001-
103	35Y3790	PROTECTION MOTOR	28/11/2001-
104	37Q4560	SOUND-PROOFING	15/03/2002-
105	37Q4910	SOUND-PROOFING	15/03/2002-
106	37Q4580	SOUND-PROOFING	15/03/2002-
107	37Q4590	SOUND-PROOFING	15/03/2002-
108	36A4830	COOLER	20/12/2002-
109	32V6600	CONDENSER	04/02/2004-