

Зип Общепит

vsezip.ru

+7(812)987-08-81



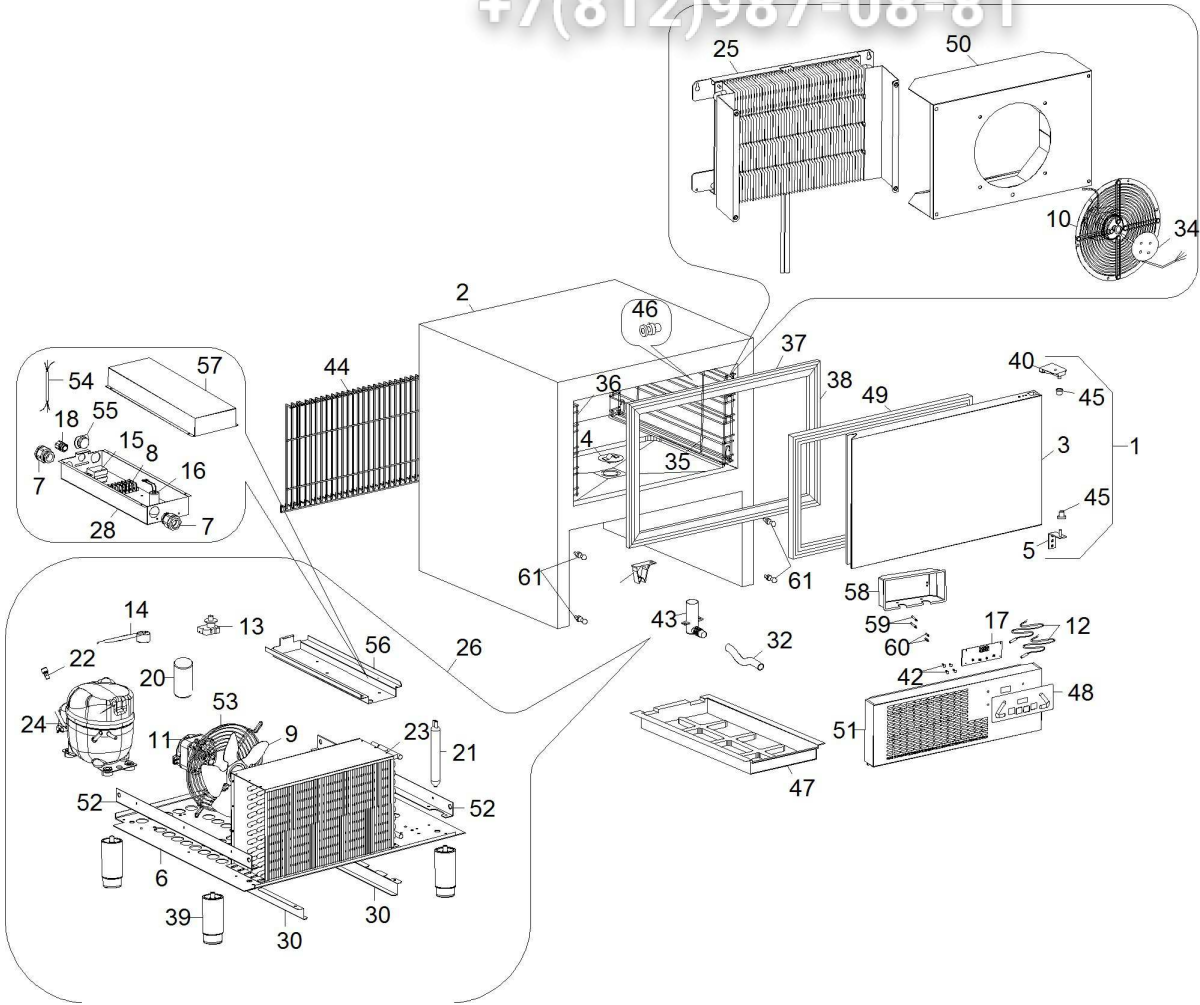
DA51

Edition 20130807-

Зип Ощепит

vsezip.ru

+7(812)987-08-81



| Pos | Code | Description | Info |
|-----|---------|-------------------------|-------------|
| 001 | 6037130 | DOOR UNIT | 16/06/2011- |
| 002 | 3165060 | FRAME | 16/06/2011- |
| 003 | 3195140 | DOOR ASS. Y | 16/06/2011- |
| 004 | 30G4180 | PLUG | 01/03/2005- |
| 005 | 30T2680 | BOTTOM BRACKET | 01/03/2005- |
| 006 | 35W5830 | TRAY X ASSEMBLY | 11/04/2005- |
| 007 | 32D0220 | CABLE CLAMP Ø 16 | 27/05/2008- |
| 008 | 32D0750 | TERMINAL BOARD | 01/03/2005- |
| 009 | 32M2900 | FAN | 27/05/2008- |
| 010 | 32M6610 | FAN | 01/03/2005- |
| 011 | 32M7210 | FAN MOTOR | 27/05/2008- |
| 012 | 32V6010 | EVAPORATOR PROBE NTC | 30/03/2009- |
| 013 | 3154530 | RELAY | 27/05/2008- |
| 014 | 3154520 | ENGINE CUTO | 27/05/2008- |
| 015 | 32V3720 | RELAY | 01/03/2005- |
| 016 | 32V5160 | CONDENSER | 01/03/2005- |
| 017 | 3163010 | ELECTRONIC CARD | 30/03/2009- |
| 018 | 32D0700 | CABLE CLAMP | 27/05/2008- |
| 020 | 32Z7730 | CONDENSER | 27/05/2008- |
| 021 | 33A0190 | FILTER | 11/04/2005- |
| 022 | 33A1200 | AUXIL.VALVE | 01/03/2005- |
| 023 | 34D9770 | CONDEN.+BAFFLE | 27/05/2008- |
| 024 | 3138720 | COMPRESSOR R404A (BT) | 27/05/2008- |
| 025 | 34E0010 | EVAPORATOR | 01/03/2005- |
| 026 | 3136020 | MOTOR UNIT | 27/05/2008- |
| 028 | 35L6450 | PANEL BOARD | 27/05/2008- |
| 030 | 35R9990 | GUIDE | 01/03/2005- |
| 032 | 35X1640 | DRAIN TRAP | 01/03/2005- |
| 034 | 35Y3790 | PROTECTION MOTOR | 01/03/2005- |
| 035 | 3247740 | RH RACK | 07/08/2013- |
| 036 | 3247750 | LH RACK | 07/08/2013- |
| 037 | 3157010 | FRAME TRIM | 16/06/2011- |
| 038 | 3157000 | FRAME TRIM | 16/06/2011- |
| 039 | 36C5080 | FOOT | 01/03/2005- |
| 040 | 36C5000 | TOP BRACKET | 01/03/2005- |
| 041 | 36E0350 | CABLE CAMP | 01/03/2005- |
| 042 | 3095320 | SPACER | 30/03/2009- |
| 043 | 36E2380 | CONDENS. DRAIN | 01/03/2005- |
| 044 | 3221650 | PROTECT GRID | 04/06/2013- |
| 045 | 3044110 | BUSHING | 29/03/2006- |
| 046 | 36G7420 | PIN | 01/03/2005- |
| 047 | 36Z0300 | COND. TRAY | 01/03/2005- |
| 048 | 3178850 | SILK-SCREE.PANEL | 23/11/2009- |
| 049 | 37Q4490 | GASKET | 01/03/2005- |
| 050 | 3AA4350 | EVAP. GUARD | 01/03/2005- |
| 051 | 3192240 | FRONT PANNEL | 16/06/2011- |
| 052 | 35P6270 | TRAY X ASSEMBLY SUPPORT | 11/04/2005- |
| 053 | 36C2031 | FAN GUARD | 27/05/2008- |
| 054 | 32A2160 | POWER SUPPLY CABLE | 27/05/2008- |
| 055 | 32D1350 | CABLE CLAMP | 27/05/2008- |
| 056 | 35E2010 | SUPPORT PANEL BOARD | 27/05/2008- |

| Pos | Code | Description | Info |
|-----|---------|------------------------|-------------|
| 057 | 35L6460 | PROTECTION PANEL BOARD | 27/05/2008- |
| 058 | 36Z2260 | CARD PROTECTION | 09/07/2008- |
| 059 | 36C6670 | SPACER | 09/07/2008- |
| 060 | 36C2750 | SPACER | 09/07/2008- |
| 061 | 36G1140 | PIN | 15/06/2011- |