

Зип Общепит

vsezip.ru

+7(812)987-08-81



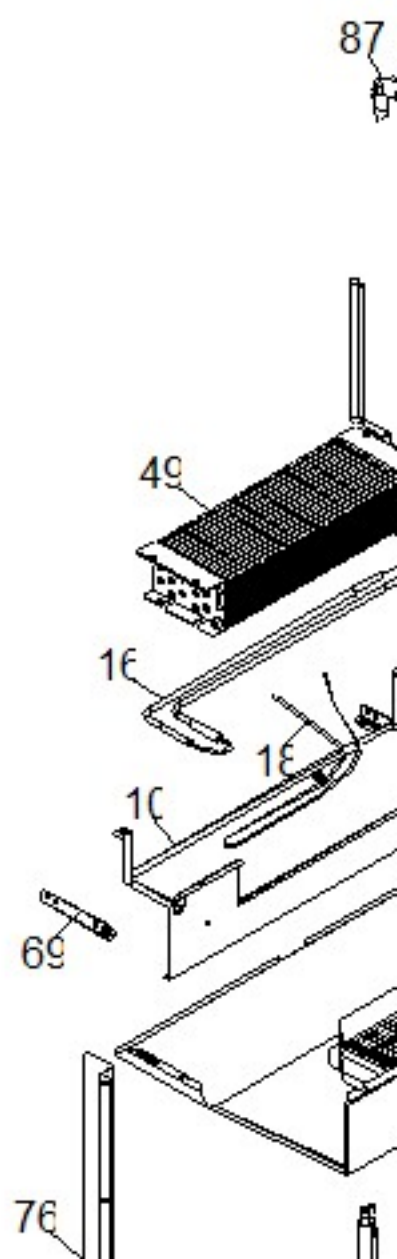
CX70NB

Edition 20050223-

Зип Общепит

vsezip.ru

+7(812)987-08-81



Pos	Code	Description	Info
001	3178300	PLUG	15/06/2002-
002	3601350	RACK SUPPORT	15/06/2002-
003	3601360	RACK SUPPORT	15/06/2002-
004	6014905	DOOR UNIT	10/09/2002-
005	6014906	DOOR UNIT	10/09/2002-
006	30A4820	INTERMEDIATE PANEL	15/06/2002-
007	30F1100	FRIDGE DOOR	10/09/2002-
008	30T6760	INTERMED. BRACKET	15/06/2002-
009	30W3890	COND. TRAY	15/06/2002-
010	30W4060	COND. TRAY	15/06/2002-
011	32A2200	POWER SUPPLY CABLE	15/06/2002-
012	32D0020	CABLE CLAMP Ø 4 - 12	15/06/2002-
013	32D0750	TERMINAL BOARD	15/06/2002-
014	32D1400	PANEL BOARD	15/06/2002-
015	32D1750	TERMINAL BOARD	15/06/2002-
016	32G0350	HEATING ELEMENT	15/06/2002-
017	32G1960	HEATING ELEMENT	15/06/2002-
018	32G2420	HEATING ELEMENT	15/06/2002-
019	32G3310	RESISTOR	23/02/2005-
020	32G3160	HEATING ELEMENT	15/06/2002-
021	32M2510	FAN	15/06/2002-
022	32M6870	FAN MOTOR	15/06/2002-
023	32V1210	RELAY	15/06/2002-
024	32V1360	ENGINE CUTOUT	15/06/2002-
025	32V1490	CONDENSER	15/06/2002-
026	32V1830	CONDENSER	15/06/2002-
027	32V1840	RELAY	15/06/2002-
028	32V1850	ENGINE CUTOU	15/06/2002-
029	32V3720	RELAY	15/06/2002-
030	32V6280	THERMOREGULATOR	15/06/2002-
031	32V6290	THERMOREGULATOR	15/06/2002-
032	32W0710	LAMP	15/06/2002-
033	32W1890	MICROSWITCH	15/06/2002-
034	32W3410	LAMP-HOLDER	15/06/2002-
035	32W3770	MICROSWITCH	15/06/2002-
036	32W3790	LIGHT	15/06/2002-
037	32W3800	LAMP-HOLDER	15/06/2002-
038	32W3850	humidity selection switch	15/06/2002-
039	32W3970	BIPOLAR SWITCH	15/06/2002-
040	32W4030	MICRO MAGNET	15/06/2002-
041	32X0120	GROMMET Ø 21	15/06/2002-
042	32X0140	GROMMET Ø13,5-Ø25	15/06/2002-
043	32Z1090	THERMOSTAT	15/06/2002-
044	32Z3470	TRANSFORMER	15/06/2002-
045	32Z4910	RELAY	15/06/2002-
046	32Z9580	CONDENSER	15/06/2002-
047	33A0180	FILTER	15/06/2002-
048	33A1200	AUXIL.VALVE	15/06/2002-
049	34D4260	EVAPORATOR	15/06/2002-
050	34D6170	CONDEN.+BAFF	15/06/2002-
051	34D6180	CONDEN.+BAFFLE	15/06/2002-

Pos	Code	Description	Info
052	34D6390	COMPRESSOR R134a (TN)	15/06/2002-
053	34D7250	COMPRESSOR R404A (BT)	15/06/2002-
054	34D9110	EVAPORATOR	15/06/2002-
055	34E0210	MOTOR UNIT	15/06/2002-
056	34E0260	MOTOR UNIT	15/06/2002-
057	35E7070	CONTROL BOARD	15/06/2002-
058	35H4230	COMPONENT GUARD	31/07/2002-
059	35P3570	CLOSING PLATE	15/06/2002-
060	35P6880	CLOSING PLATE	21/07/2002-
061	3AQ0140	EVAPORATOR GUARD	02/08/2002-
063	35P4890	EVAPORATOR GUARD	15/06/2002-
064	35P4900	MICRO SUPPORT	15/06/2002-
065	3AQ0190	EVAPORATOR GUARD	02/08/2002-
066	35R9140	GUIDE	15/06/2002-
067	35R9260	LOCK SUPPORT	15/06/2002-
068	35R9320	SUPPORT	15/06/2002-
069	35R9850	PROTECTION SUPPORT	15/06/2002-
070	35W0462	TRAY ASS.Y	15/06/2002-
072	35X5601	DRAIN PIPE	22/01/2003-
073	35Y1680	BOTTOM BRACKET	15/06/2002-
074	35Y2190	RACK	15/06/2002-
075	35Y2210	RACK	15/06/2002-
076	35Y2560	PIPE GUARD	15/06/2002-
077	35Y3090	LAMP GUARD	15/06/2002-
078	35Y3830	FAN SUPPORT	15/06/2002-
079	36A0710	GRID	15/06/2002-
080	36C2031	FAN GUARD	15/06/2002-
081	36C5600	FOOT	18/11/2002-
082	36E2100	FRAME TRIM	15/06/2002-
083	36E2110	FRAME TRIM	15/06/2002-
084	36E2120	TOP BRACKET	15/06/2002-
085	36E2240	LAMP PROTECTION GLASS SLIDE	15/06/2002-
086	36E2270	CONDENS. DRAIN	15/06/2002-
087	36E4750	CONDENS. DRAIN	25/01/2003-
088	36E2420	FRAME TRIM	15/06/2002-
089	36G6520	HINGE	15/06/2002-
090	36M0080	LOCK U BOLT	15/06/2002-
091	36M0090	LOCK BRACKET	15/06/2002-
092	36M1380	LOCKING HOOK	15/06/2002-
093	36M7070	KEY LOCK	15/06/2002-
094	36M7080	HINGE	15/06/2002-
095	36Z1410	GASKET	15/06/2002-
096	36Z1530	COND. TRAY	15/06/2002-
097	37N3270	SILK-SCREE.PANEL	15/06/2002-
098	37N3380	SILK-SCREE.PANEL	15/06/2002-
099	37Q4470	DOOR GASKET	15/06/2002-
100	40K0694	BODY	15/06/2002-
101	32W3860	PILOT LIGHT	15/06/2002-
102	32V3730	NTC PROBE	15/06/2002-
103	32G1881	RESISTOR	21/02/2003-