

Зип Общепит

vsezip.ru

+7(812)987-08-81



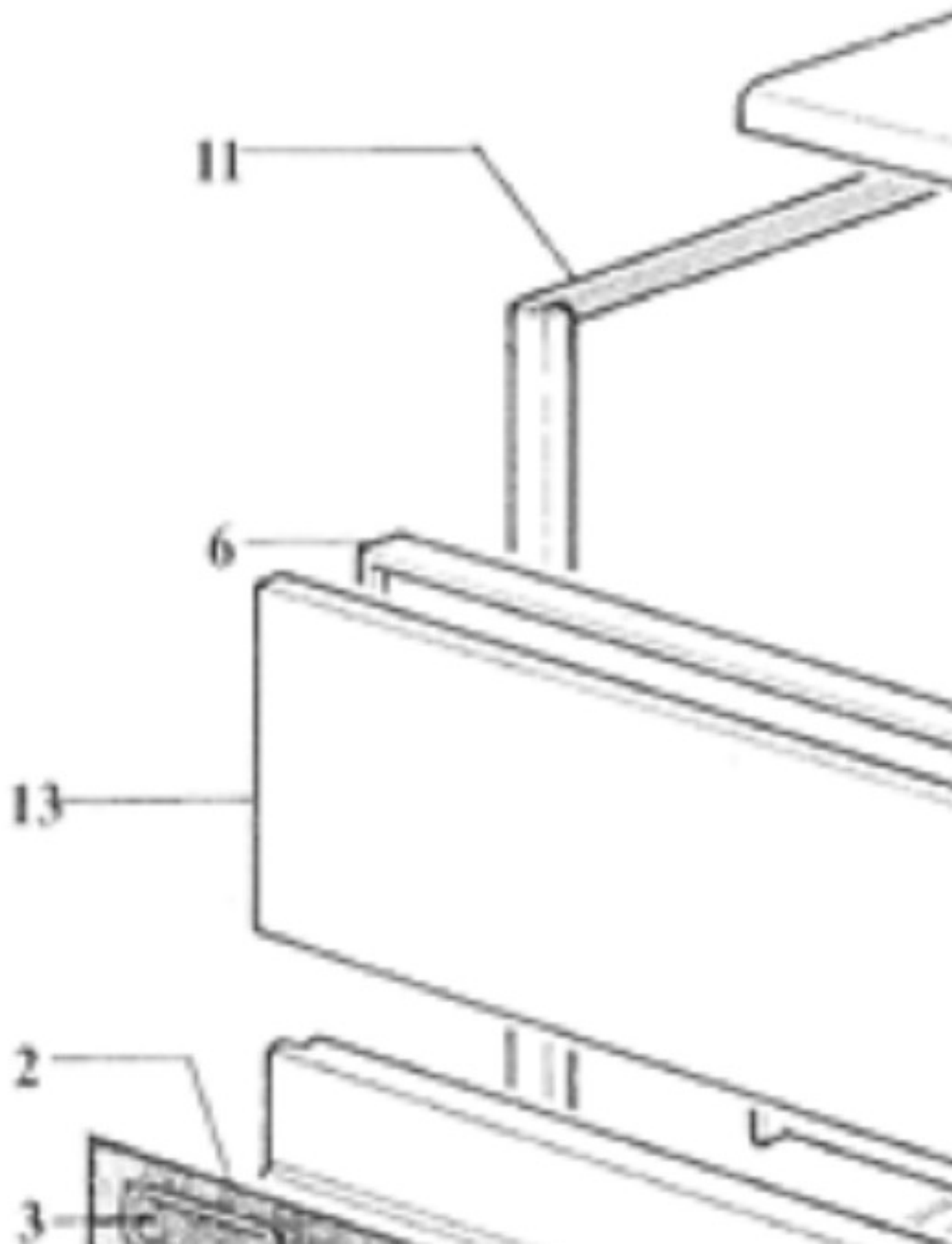
**PGC132**

**Edition 20091201-**

Зип Общепит

[vsezip.ru](http://vsezip.ru)

+7(812)987-08-81



Зип Общепит

vsezip.ru

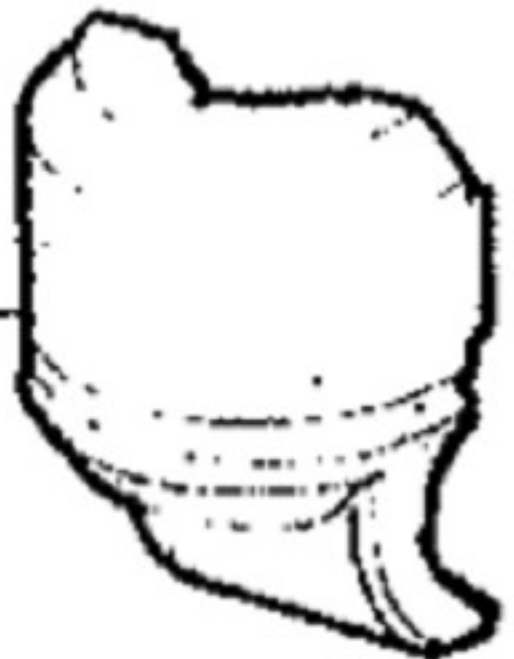
14  
+7(812)987-08-81

10



12

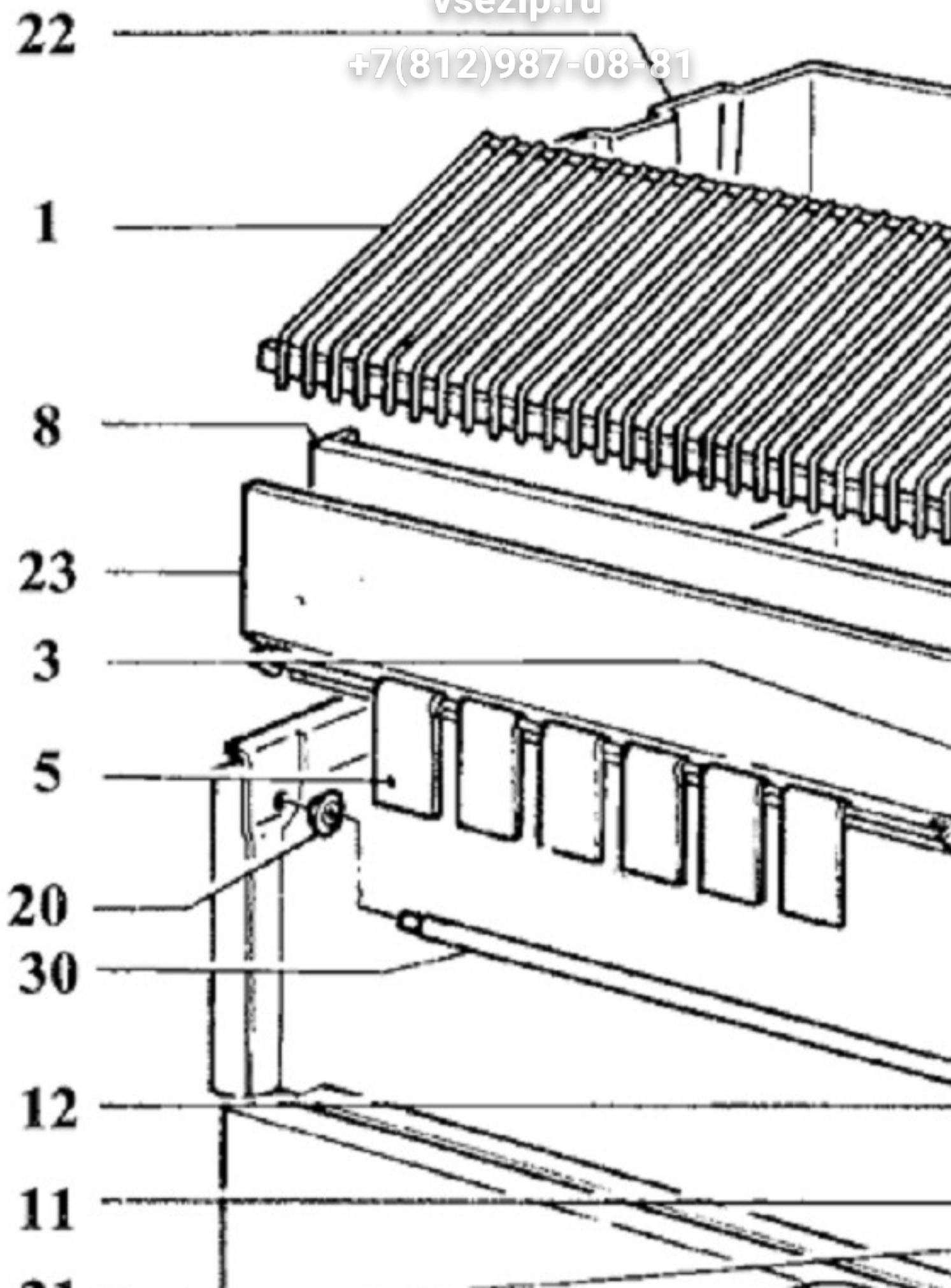
15



Зип Общепит

vsezip.ru

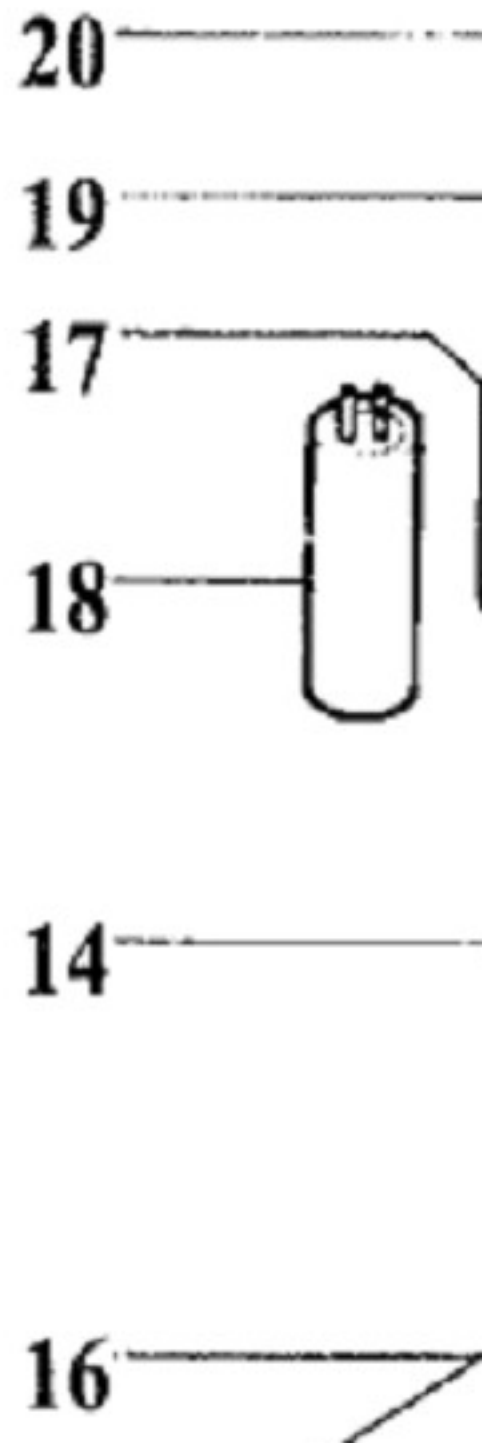
+7(812)987-08-81



Зип Общепит

vsezip.ru

+7(812)987-08-81



| Page | Pos | Code           | Description                    | Info        |
|------|-----|----------------|--------------------------------|-------------|
| 002  | 001 | 36M6820        | LEG - PG 30-31                 | 01/04/2004- |
| 002  | 002 | PGC132-Pos.002 | Name plate facia               | 01/04/2004- |
| 002  | 003 | PGC132-Pos.003 | Model badge                    | 01/04/2004- |
| 002  | 005 | PGC132-Pos.005 | STUD                           | 01/04/2004- |
| 002  | 006 | 3010140        | Door internal plate            | 01/04/2004- |
| 002  | 007 | PGC132-Pos.007 | Rear stud                      | 01/04/2004- |
| 002  | 009 | PGC132-Pos.009 | Top panel insulation           | 01/04/2004- |
| 002  | 010 | PGC132-Pos.010 | Top panel assy                 | 01/04/2004- |
| 002  | 011 | PGC132-Pos.011 | Left side panel                | 01/04/2004- |
| 002  | 012 | PGC132-Pos.012 | Right side panel               | 01/04/2004- |
| 002  | 013 | 3010150        | Door assy                      | 01/04/2004- |
| 002  | 014 | PGC132-Pos.014 | Base assy                      | 01/04/2004- |
| 002  | 015 | PGC132-Pos.015 | Front support                  | 01/04/2004- |
| 002  | 016 | PGC132-Pos.016 | Pump support panel             | 01/04/2004- |
| 002  | 017 | PGC132-Pos.017 | Top panel                      | 01/04/2004- |
| 002  | 018 | PGC132-Pos.018 | Rear panel                     | 01/04/2004- |
| 002  | 019 | PGC132-Pos.019 | Front panel                    | 01/04/2004- |
| 003  | 001 | 30Q1550        | Pump feeding filter            | 01/04/2004- |
| 003  | 002 | 3016530        | WASHER                         | 01/04/2004- |
| 003  | 003 | 3016540        | Washer                         | 01/04/2004- |
| 003  | 004 | 3016550        | Nut                            | 01/04/2004- |
| 003  | 005 | 3016560        | Nut                            | 01/04/2004- |
| 003  | 006 | 3016570        | Pump feelding pipe- fitting    | 01/04/2004- |
| 003  | 007 | 3016580        | Pump inlet water pipe- fitting | 01/04/2004- |
| 003  | 008 | 3005190        | Pump inlet water pipe          | 01/04/2004- |
| 003  | 009 | 3005200        | Pump feeding pipe              | 01/04/2004- |
| 003  | 010 | 32M6430        | Water pump assy                | 01/04/2004- |
| 003  | 011 | 3005210        | PLUG                           | 01/04/2004- |
| 003  | 012 | 3005220        | Spray bar feeding pipe         | 01/04/2004- |
| 003  | 013 | 33T3230        | SPRAY JET                      | 01/04/2004- |
| 003  | 014 | 3016590        | O-ring                         | 01/04/2004- |
| 003  | 015 | 3016790        | Pump cover insulation          | 01/04/2004- |
| 003  | 016 | 3016800        | Spray bar                      | 01/04/2004- |
| 004  | 001 | 3016810        | Cube deflector                 | 01/04/2004- |
| 004  | 002 | 3016530        | WASHER                         | 01/04/2004- |
| 004  | 003 | PGC132-Pos.003 | Knurled screw                  | 01/04/2004- |
| 004  | 004 | 3016550        | Nut                            | 01/04/2004- |
| 004  | 005 | 3096090        | Spray curtain flap             | 01/04/2004- |
| 004  | 006 | 3021690        | Bin exhaust pipe fitting       | 01/04/2004- |
| 004  | 007 | PGC132-Pos.007 | O-ring                         | 01/04/2004- |
| 004  | 008 | PGC132-Pos.008 | Evaporator support             | 01/04/2004- |
| 004  | 009 | PGC132-Pos.009 | Bin support                    | 01/04/2004- |
| 004  | 010 | 33D2760        | Overflow exhaust pipe          | 01/04/2004- |
| 004  | 011 | PGC132-Pos.011 | Screw                          | 01/04/2004- |
| 004  | 012 | PGC132-Pos.012 | Spray curtain bar              | 01/04/2004- |
| 004  | 013 | 3016820        | WASHER                         | 01/04/2004- |
| 004  | 014 | 3016830        | Overflow exhaust               | 01/04/2004- |
| 004  | 015 | 3016840        | Nut M27                        | 01/04/2004- |
| 004  | 016 | 33M1470        | RUBBER PIPE                    | 01/04/2004- |
| 004  | 017 | PGC132-Pos.017 | Gasket                         | 01/04/2004- |
| 004  | 018 | PGC132-Pos.018 | Ice scoop                      | 01/04/2004- |

| Page | Pos | Code           | Description              | Info        |
|------|-----|----------------|--------------------------|-------------|
| 004  | 019 | 33M1480        | Elbow with ring nut      | 01/04/2004- |
| 004  | 020 | 3018190        | Retainer for door bar    | 01/04/2004- |
| 004  | 021 | PGC132-Pos.021 | Kit bin assy             | 01/04/2004- |
| 004  | 022 | PGC132-Pos.022 | Bin                      | 01/04/2004- |
| 004  | 023 | 3244550        | Curtain flap assy        | 01/04/2004- |
| 004  | 024 | 33D2780        | Electric valve           | 01/04/2004- |
| 004  | 025 | 3111970        | Bin exhaust pipe         | 01/04/2004- |
| 004  | 026 | 3003210        | Water exhaust            | 01/04/2004- |
| 004  | 027 | 3016850        | PLASTIC TUBE - PER METER | 01/04/2004- |
| 004  | 028 | 3016860        | Pipe                     | 01/04/2004- |
| 004  | 029 | 3016870        | Support                  | 01/04/2004- |
| 004  | 030 | PGC132-Pos.030 | Door support bar         | 01/04/2004- |
| 005  | 003 | PGC132-Pos.003 | Cable terminal ring      | 01/04/2004- |
| 005  | 004 | 3209970        | ELECTRONICTIMER          | 01/12/2009- |
| 005  | 005 | 32V4440        | Pressure gauge           | 01/04/2004- |
| 005  | 006 | 3034730        | BIN THERMOSTAT           | 01/04/2004- |
| 005  | 007 | 32V4400        | EVAPORATOR THERMOSTAT    | 01/04/2004- |
| 005  | 008 | PGC132-Pos.008 | Electric cable           | 01/04/2004- |
| 005  | 010 | 32V4340        | Switch                   | 01/04/2004- |
| 005  | 013 | 34D9170        | Compressor CAJ9510Z      | 01/04/2004- |
| 005  | 014 | 32M6680        | Electric fan             | 01/04/2004- |
| 005  | 015 | 3040550        | SAFETY THERMOSTAT        | 01/04/2004- |
| 005  | 016 | 34D9860        | Air condenser            | 01/04/2004- |
| 005  | 017 | PGC132-Pos.017 | Running capacitor        | 01/04/2004- |
| 005  | 018 | 3005250        | Start capacitor          | 01/04/2004- |
| 005  | 019 | 32Y0080        | Starting ralay           | 01/04/2004- |
| 005  | 020 | 3200610        | Thermic protector        | 01/04/2004- |
| 005  | 021 | 3016910        | Filter                   | 01/04/2004- |
| 005  | 022 | PGC132-Pos.022 | Accumulator assy         | 01/04/2004- |
| 005  | 023 | PGC132-Pos.023 | Contactora               | 01/04/2004- |
| 005  | 025 | 3009320        | Evaporator plate         | 01/04/2004- |
| 005  | 026 | 33D2910        | Hot gas valve body       | 01/04/2004- |
| 005  | 027 | 32V4320        | SOLENOID VALVE COIL      | 01/04/2004- |
| 005  | 028 | 33D2920        | VALVE BODY               | 01/04/2004- |
| 005  | 029 | 36G9590        | VALVE PISTON             | 01/04/2004- |
| 005  | 030 | 36Q1840        | VALVE CAP                | 01/04/2004- |