

Зип Общепит

vsezip.ru

+7(812)987-08-81



PG80C

Edition 20091201-

Зип Общепит

vsezip.ru

+7(812)987-08-81

15

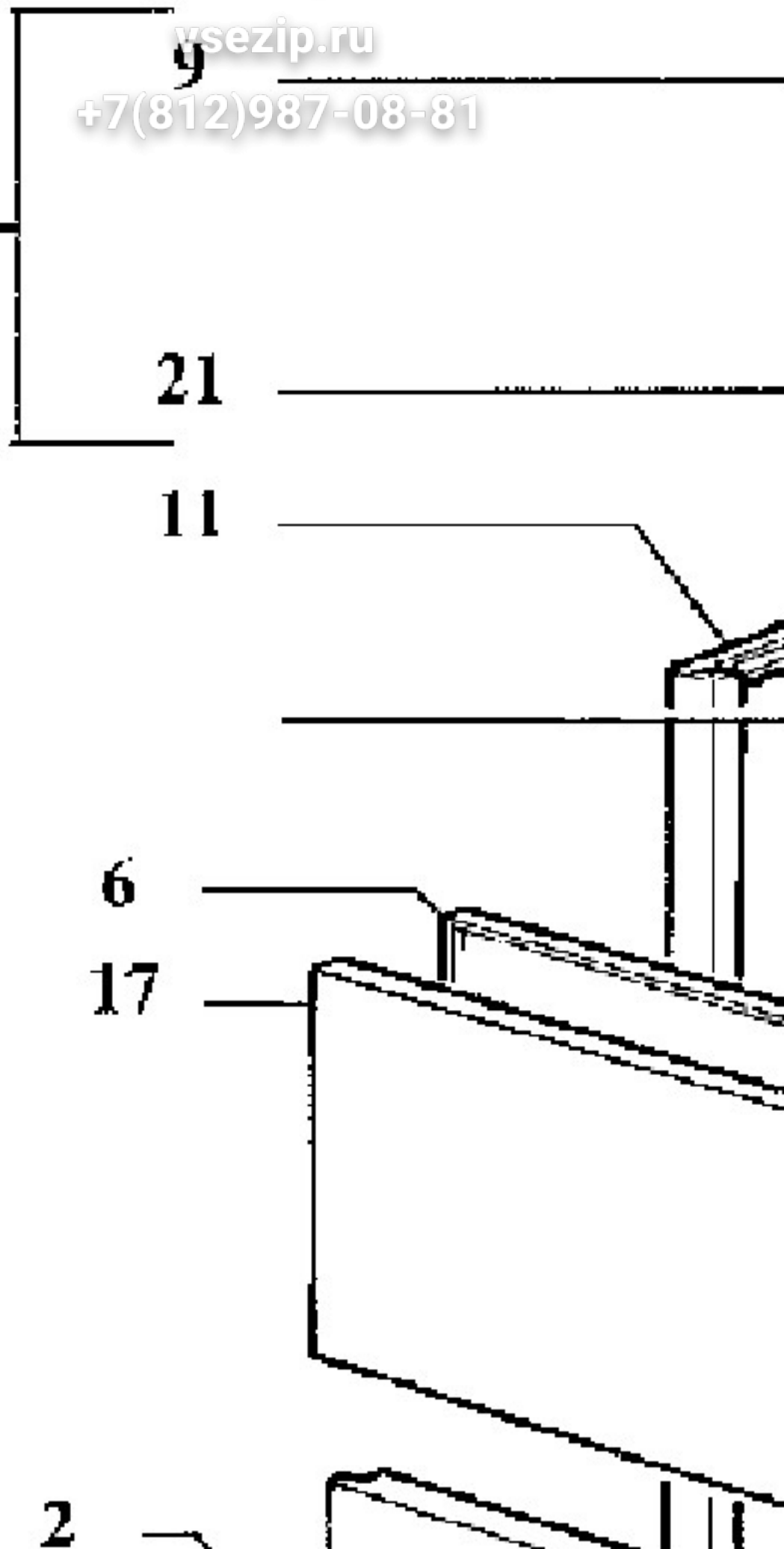
21

11

6

17

2



Зип Общепит

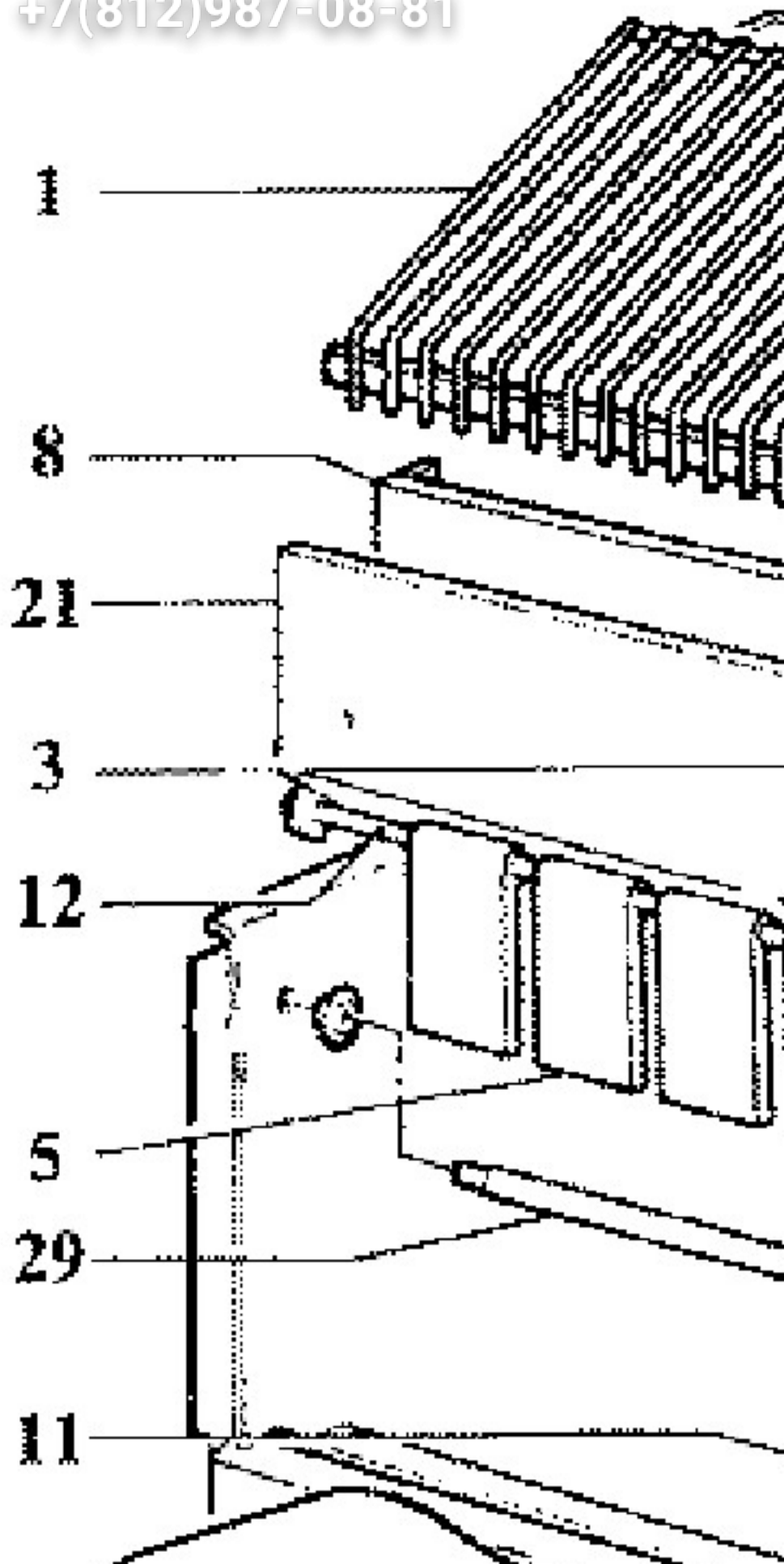
vsezip.ru

+7(812)987-08-81

10

15





Зип Общепит

vsezip.ru

+7(812)987-08-81

11



14

| Page | Pos | Code | Description | Info |
|------|-----|---------------|--------------------------------|-------------|
| 002 | 001 | 36M6820 | LEG - PG 30-31 | 01/07/2003- |
| 002 | 002 | PG80C-Pos.002 | Name plate facia | 01/07/2003- |
| 002 | 003 | PG80C-Pos.003 | Model badge | 01/07/2003- |
| 002 | 005 | PG80C-Pos.005 | STUD | 01/07/2003- |
| 002 | 006 | 3010140 | Door internal plate | 01/07/2003- |
| 002 | 007 | PG80C-Pos.007 | Rear stud | 01/07/2003- |
| 002 | 009 | PG80C-Pos.009 | Top panel insulation | 01/07/2003- |
| 002 | 010 | PG80C-Pos.010 | Base ass.y | 01/07/2003- |
| 002 | 011 | PG80C-Pos.011 | Left side panel | 01/07/2003- |
| 002 | 012 | PG80C-Pos.012 | Right side panel | 01/07/2003- |
| 002 | 013 | PG80C-Pos.013 | Front support | 01/07/2003- |
| 002 | 014 | PG80C-Pos.014 | Pump support panel | 01/07/2003- |
| 002 | 015 | 3309480 | Top panel assy | 01/07/2003- |
| 002 | 016 | PG80C-Pos.016 | Rear panel | 01/07/2003- |
| 002 | 017 | 3176750 | Door | 01/07/2003- |
| 002 | 018 | PG80C-Pos.018 | Front panel | 01/07/2003- |
| 002 | 021 | 3212940 | Top panel | 01/07/2003- |
| 003 | 001 | 30Q1550 | Pump feeding filter | 01/07/2003- |
| 003 | 002 | 3016530 | WASHER | 01/07/2003- |
| 003 | 003 | 3016540 | Washer | 01/07/2003- |
| 003 | 004 | 3016550 | Nut | 01/07/2003- |
| 003 | 005 | 3016560 | Nut | 01/07/2003- |
| 003 | 006 | 3016570 | Pump feelding pipe- fitting | 01/07/2003- |
| 003 | 007 | 3016580 | Pump inlet water pipe- fitting | 01/07/2003- |
| 003 | 008 | 3005190 | Pump inlet water pipe | 01/07/2003- |
| 003 | 009 | 3005200 | Pump feeding pipe | 01/07/2003- |
| 003 | 010 | 32M6430 | Water pump assy | 01/07/2003- |
| 003 | 011 | 3005210 | PLUG | 01/07/2003- |
| 003 | 012 | 3005220 | Spray bar feeding pipe | 01/07/2003- |
| 003 | 013 | 33T3230 | SPRAY JET | 01/07/2003- |
| 003 | 014 | 3016590 | O-ring | 01/07/2003- |
| 003 | 015 | 3016790 | Pump cover insulation | 01/07/2003- |
| 003 | 016 | 3187160 | Spray bar | 01/07/2003- |
| 004 | 001 | 3104720 | Cube deflector | 01/07/2003- |
| 004 | 002 | 3016530 | WASHER | 01/07/2003- |
| 004 | 003 | 3016540 | Washer | 01/07/2003- |
| 004 | 004 | 3016550 | Nut | 01/07/2003- |
| 004 | 005 | 3096090 | Spray curtain flap | 01/07/2003- |
| 004 | 006 | 3021690 | Bin exhaust pipe fitting | 01/07/2003- |
| 004 | 007 | PG80C-Pos.007 | O-ring | 01/07/2003- |
| 004 | 008 | PG80C-Pos.008 | Evaporator support | 01/07/2003- |
| 004 | 009 | PG80C-Pos.009 | Bin support | 01/07/2003- |
| 004 | 010 | 33D2760 | Overflow exhaust pipe | 01/07/2003- |
| 004 | 011 | PG80C-Pos.011 | Screw | 01/07/2003- |
| 004 | 012 | 3096100 | Spray curtain bar | 01/07/2003- |
| 004 | 013 | 3016820 | WASHER | 01/07/2003- |
| 004 | 014 | 3016830 | Overflow exhaust | 01/07/2003- |
| 004 | 015 | 3016840 | Nut M27 | 01/07/2003- |
| 004 | 016 | 33M1480 | Elbow with ring nut | 01/07/2003- |
| 004 | 017 | 33M1470 | RUBBER PIPE | 01/07/2003- |
| 004 | 018 | PG80C-Pos.018 | Gasket | 01/07/2003- |

| Page | Pos | Code | Description | Info |
|------|-----|---------------|------------------------------|-------------|
| 004 | 019 | PG80C-Pos.019 | Ice scoop | 01/07/2003- |
| 004 | 020 | 3018190 | Retainer for door bar | 01/07/2003- |
| 004 | 021 | PG80C-Pos.021 | Curtain flap assy. | 01/07/2003- |
| 004 | 022 | PG80C-Pos.022 | Kit bin assy | 01/07/2003- |
| 004 | 023 | PG80C-Pos.023 | Bin | 01/07/2003- |
| 004 | 024 | 33D2770 | Electric valve | 01/07/2003- |
| 004 | 025 | 3111970 | Bin exhaust pipe | 01/07/2003- |
| 004 | 026 | 3003210 | Water exhaust | 01/07/2003- |
| 004 | 027 | 3016850 | PLASTIC TUBE - PER METER | 01/07/2003- |
| 004 | 028 | 3016860 | Pipe | 01/07/2003- |
| 004 | 029 | 3177380 | Door support bar | 01/07/2003- |
| 005 | 003 | PG80C-Pos.003 | Cable terminal ring | 01/07/2003- |
| 005 | 004 | 3209970 | ELECTRONICTIMER | 01/12/2009- |
| 005 | 005 | 32V4430 | PRESSURE-SWITCH 10,5bar/8bar | 01/07/2003- |
| 005 | 006 | 3034730 | BIN THERMOSTAT | 01/07/2003- |
| 005 | 007 | 32V4400 | EVAPORATOR THERMOSTAT | 01/07/2003- |
| 005 | 008 | PG80C-Pos.008 | Electric cable | 01/07/2003- |
| 005 | 010 | 32V4340 | Switch | 01/07/2003- |
| 005 | 011 | 32M6420 | FAN MOTOR | 01/07/2003- |
| 005 | 012 | 3218410 | FAN | 01/07/2003- |
| 005 | 013 | 3243710 | MECHANICAL FILTER | 01/07/2003- |
| 005 | 014 | 3023360 | Air condenser | 01/07/2003- |
| 005 | 015 | 34D9160 | Compressor | 01/07/2003- |
| 005 | 016 | 3112480 | Thermic protector | 01/07/2003- |
| 005 | 017 | 3112490 | Startin relay | 01/07/2003- |
| 005 | 018 | PG80C-Pos.018 | Filtre | 01/07/2003- |
| 005 | 020 | 33D2900 | HOT GAS VALVE BODY | 01/07/2003- |
| 005 | 021 | 32V4320 | SOLENOID VALVE COIL | 01/07/2003- |
| 005 | 022 | 3112500 | START CAPACITOR | 01/07/2003- |
| 005 | 023 | 3275670 | Accummulator | 01/07/2003- |
| 005 | 024 | 33D2920 | VALVE BODY | 01/07/2003- |
| 005 | 025 | 36G9590 | VALVE PISTON | 01/07/2003- |
| 005 | 026 | 3023370 | EVAPORATOR | 01/07/2003- |
| 005 | 027 | PG80C-Pos.027 | Contactora | 01/07/2003- |
| 005 | 028 | 3040550 | SAFETY THERMOSTAT | 01/07/2003- |
| 005 | 029 | 36Q1840 | VALVE CAP | 01/07/2003- |