

Зип Общепит
vsezip.ru
+7(812)987-08-81

P.S.P. 700
SUPER

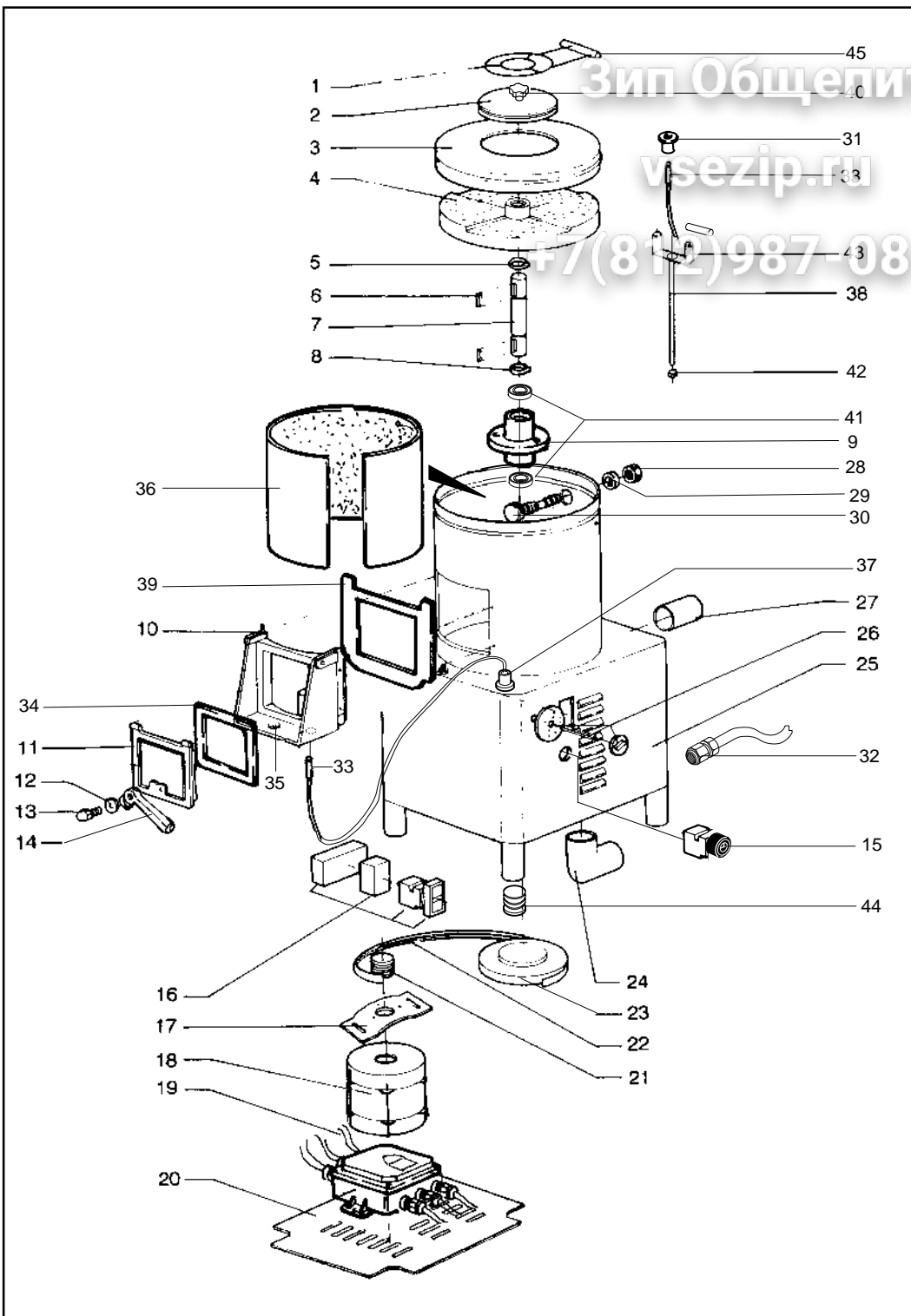
ISTRUZIONI D'USO **I**
OPERATING INSTRUCTIONS **GB**
MODE D'EMPLOI **F**
GEBRAUCHSANWEISUNG **D**
FOLLETO DE INSTRUCCIONES **E**

PASQUINI

Pasquini Paolo & C. snc (Macchine per Alimenti)
Via Popilia, 45 - 47900 Rimini - ITALIA
Tel. +39.0541.741260 - Fax +39.0541.742283
e-mail: info@pasquinimachines.com
<http://www.pasquinimachines.com>

PELAPATATE
POTATO - PEELER
ÉPLUCHEUR
KARTOFFELSCHÄLER
PELAPATATAS

PASQUINI



I PARTI DI RICAMBIO

1	Griglia	16	Pulsante ON/OFF	31	Porta micro
2	Coperchio mobile	17	Piastra sostegno Motore	32	Pressacavo
3	Coperchio fisso	18	Motore	33	Sensore magnetico
4	Disco abrasivo (girante)	19	Scheda 700 M/T	34	Guarnizione sportello
5	Anello seeger	20	Fondo Zincato	35	Rondella inox (D26-50335)
6	Chiavetta 6x6x20	21	Puleggia Motore (D40-50375)	36	Fascia abrasiva
7	Albero Inox (D=22x140)	22	Cinghia	37	Perno porta sensore
8	Paraolio (22x42x7)	23	Puleggia	38	Asta sostegno griglia
9	Disco Ghisa AAP4	24	Manicotto	39	Guarnizione telaio
10	Telaio	25	Carcassa pelapatate	40	Pomolo
11	Sportello	26	Temporizzatore	41	2 cuscinetti
12	Rondella	27	Tubo inox	42	Perno porta asta
13	Prigioniero 8/10	28	Dado	43	Supporto micro pelapatate
14	Levetta	29	Rondella nylon	44	Puntale D. 40
15	Pulsantino nero	30	Spruzzatore	45	Perno portagriglia

GB SPARE PARTS

1	Grille	16	ON/OFF button	31	Microswitch support
2	Removable Cover	17	Motor support plate	32	Cable clamp
3	Fixed Cover	18	Motor	33	Magnetic sensor
4	Abrasive disk (rotary)	19	700 M/T card	34	Hatch seal
5	Snap ring	20	Galvanized base	35	Stainless steel washer (D26-50335)
6	Spline 6x6x20	21	Motor pulley (D40-50375)	36	Abrasive sleeve
7	Stainless steel shaft (D=22x140)	22	Drive belt	37	Pivot sensor
8	Oil seal (22x42x7)	23	Pulley	38	Grille support rod
9	Cast iron disk AAP4	24	Sleeve	39	Frame seal
10	Frame	25	Potato peeler body	40	Knob
11	Hatch	26	Timer	41	2 Bearings
12	Washer	27	Stainless steel tube	42	Rod support
13	Bolt 8/10	28	Nut	43	Potato peeler microswitch support
14	Lever	29	Nylon washer	44	Point diam. 40
15	Black button	30	Sprayer	45	Grille pivot support

F PIECES DE RECHANGE

1	Grille	16	Bouton ON/OFF	31	Supporte de micro
2	Couvercle mobile	17	Plaque de support du moteur	32	Presse-câble
3	Couvercle fixe	18	Moteur	33	Capteur magnétique
4	Disque abrasif (rotatif)	19	Carte électronique 700 M/T	34	Joint de portillon
5	Anneau Seeger	20	Fond zingué	35	Rondelle en inox (D26-50335)
6	Clé 6x6x20	21	Poulie de moteur (D40-50375)	36	Bande abrasive
7	Arbre inox (D=22x140)	22	Courroie	37	Goujon passe-capteur
8	Rondelle pare huile (22x42x7)	23	Poulie	38	Tige de support de la grille
9	Disque en fonte AAP4	24	Manchon	39	Joint de châssis
10	Châssis	25	Bâti éplucheur à pommes de terre	40	Poignée
11	Portillon	26	Temporisateur	41	2 roulements
12	Rondelle	27	Tube en inox	42	Support de tige
13	Boulon 8/10	28	Ecrou	43	Support micro éplucheur à pommes de terre
14	Levier	29	Rondelle en nylon	44	Embont Ø 40
15	Bouton noir	30	Pulvérisateur	45	Goujon porte-grille

D ERSATZTEILE

1	Gitter	16	ON/OFF taste	31	Mikroschalter-halterung
2	Abnehmbarer Deckel	17	Motor-halteplatte	32	Kabelklemme
3	Feststehender Deckel	18	Motor	33	Magnetischer fühler
4	Reibscheibe (laufrad)	19	Karte 700 M/T	34	Klappendichtung
5	Seeger-ring	20	Verzinkter Boden	35	Unterlegscheibe aus edelstahl (D26-50335)
6	Keil 6x6x20	21	Motor-riemenscheibe (D40-50375)	36	Reibband
7	Edelstahl welle (D=22x140)	22	Riemen	37	Führer-durchgangsstift
8	Öldichtung (22x42x7)	23	Riemenscheibe	38	Gitter Haltestab
9	Gusseisenscheibe AAP4	24	Muffe	39	Dichtung der einschuböffnung
10	Einschuböffnung	25	Kartoffelschälergehäuse	40	Knauf
11	Klappe	26	Timer	41	2 Lager
12	Unterlegscheibe	27	Edelstahlrohr	42	Stabhalterung
13	Schraubbolzen 8/10	28	Mutter	43	Mikroschalterhalterung kartoffelschäler
14	Hebel	29	unterlegscheibe aus nylon	44	Druckstange Ø 40
15	Schwarzer Taste	30	Sprüher	45	Gitter-haktestift

E REPUESTOS

1	Rejilla	16	Botón de encendido	31	Portamico
2	Tapa móvil	17	Placa soporte motor	32	Prensaestopas
3	Tapa fija	18	Motor	33	Sensor magnético
4	Disco abrasivo (giratorio)	19	Tarjeta 700 M/T	34	Junta puertecilla
5	Anillo Seeger	20	Base galvanizada	35	Arandela acero inoxidable (D26-50335)
6	Llave 6x6x20	21	Polea motor (D40-50375)	36	Forno interior abrasivo
7	Eje acero inoxidable (D=22x140)	22	Correa	37	Perno sensor
8	Junta antiaceite (22x42x7)	23	Polea	38	Varilla sostén rejilla
9	Disco hierro colado AAP4	24	Codo	39	Junta bastidor
10	Bastidor	25	Armazón pelapatatas	40	Pomo
11	Puertecilla	26	Temporizador	41	2 Cojinetes
12	Arandela	27	Tubo acero inoxidable	42	Portavarilla
13	Tornillo 8/10	28	Tuerca	43	Soporte micro pelapatatas
14	Palanca	29	Arandela de nylon	44	Casquillo Ø 40
15	Botón negro	30	Surtidor	45	Perno portarrejilla

PASQUINI
di Pasquini Paolo C. snc
Via Popilia, 45
47900 Rimini (RN) ITALIA
P.IVA / CF: 00942300401
Tel:+39-0541-741260 Fax: +39-0541-742283
info@pasquinimachines.com

Зип Общепит

vsezip.ru

+7(812)987 08 81

Diagram N°			
10KG	15KG	Codice	Descrizione
1		RIC-GRIGLIA-PP-10	GRIGLIA PELAPATATE KG 10
	1	RIC-GRIGLIA-PP-15	GRIGLIA PELAPATATE KG 15
2		RIC-COP-PP-MOB-10	COPERCHIO PELAP. KG 10 MOBILE
	2	RIC-COP-PP-MOB-15	COPERCHIO PELAP. KG 15 MOBILE
3		RIC-COP-PP-FIS-10	COPERCHIO PELAP. KG 10 FISSO
	3	RIC-COP-PP-FIS-15	COPERCHIO PELAP. KG 15 FISSO
4		RIC-DISC-ABR-10	DISCO ABRASIVO (GIRANTE) KG.10
	4	RIC-DISC-ABR-15	DISCO ABRASIVO (GIRANTE) KG 15
5	5	RIC-SEEGER-I40	ANELLO SEEGER I40
6	6	RIC-CHIAVETTA	CHIAVETTA 6X6X20 C40 6604A H9
7	7	RIC-ALB.PP-22X140	ALBERO INOX D=22X140
8	8	RIC-PARAO-22X42X7	PARAOLIO 22 X 42 X 7
9	9	RIC-DISCO GHISA	DISCO GHISA AAP4
10		RIC-TEL-700KG10	TELAIO PELAPATATE KG 10
	10	RIC-TEL-700KG15	TELAIO PELAPATATE KG 15
11	11	RIC-SPOR-PP	SPORTELLO PELAPATATE
12	12	RIC-ROND-INOX-16	RONDELLA INOX 16 X 1.5 X 8
13	13	RIC-PRIG-M10-M8	PRIGIONIERO INOX M10 M8 50207
14	14	RIC-LEVETTA-OTT	LEVETTA OTTONE PSP700
15	15	RIC-PULS-NERO	PULSANTINO NERO
16	16	RIC-PULS-ON/OFF	PULSANTE ON / OFF
17		RIC-PIAST-MOT-10	PIASTRA SOST. MOT. PSP700 KG10
	17	RIC-PIAST-MOT-15	PIASTRA SOST. MOT. PSP700 KG15
18		RIC-MOT-17	MOTORE MONO PSP700 KG10
18		RIC-MOT-18	MOTORE TRI PSP700 KG10
	18	RIC-MOT-19	MOTORE MONO PSP700 KG15
	18	RIC-MOT-20	MOTORE TRI PSP700 KG15
19		RIC-SCH-M-700	SCHEDA PELAPATATE 230V
	19	RIC-SCH-T-700	SCHEDA PELAPATATE 400V
20		RIC-FONDO-PP10	FONDO ZINCATO PELAPATATE KG 10
	20	RIC-FONDO-PP15	FONDO ZINCATO PELAPATATE KG 15
21		RIC-PUL-MOT-PP-10	PULEGGIA MOTORE PSP700 KG10
	21	RIC-PUL-MOT-PP-15	PULEGGIA MOTORE PSP700 KG15
22		RIC-CINGHIA-PP10	CINGHIA PELAPATATE KG 10
	22	RIC-CINGHIA-PP15	CINGHIA PELAPATATE KG 15
23		RIC-PULLEGG-PP-10	PULLEGGIA PELAPATATE KG10
	23	RIC-PULLEGG-PP-15	PULLEGGIA PELAPATATE KG15
24	24	RIC-MANICOTTO	MANICOTTO
25		RIC-CARC-700-10	CARCASSA INOX PSP 700 KG 10
	25	RIC-CARC-700-15	CARCASSA INOX PSP 700 KG 15
26	26	RIC-TEMP-700	TEMPORIZZATORE G4M2C5 TIMER
29	29	RIC-ROND-NYL-D25	RONDELLA NYLON BIANCO D.25