

Зип Общепит

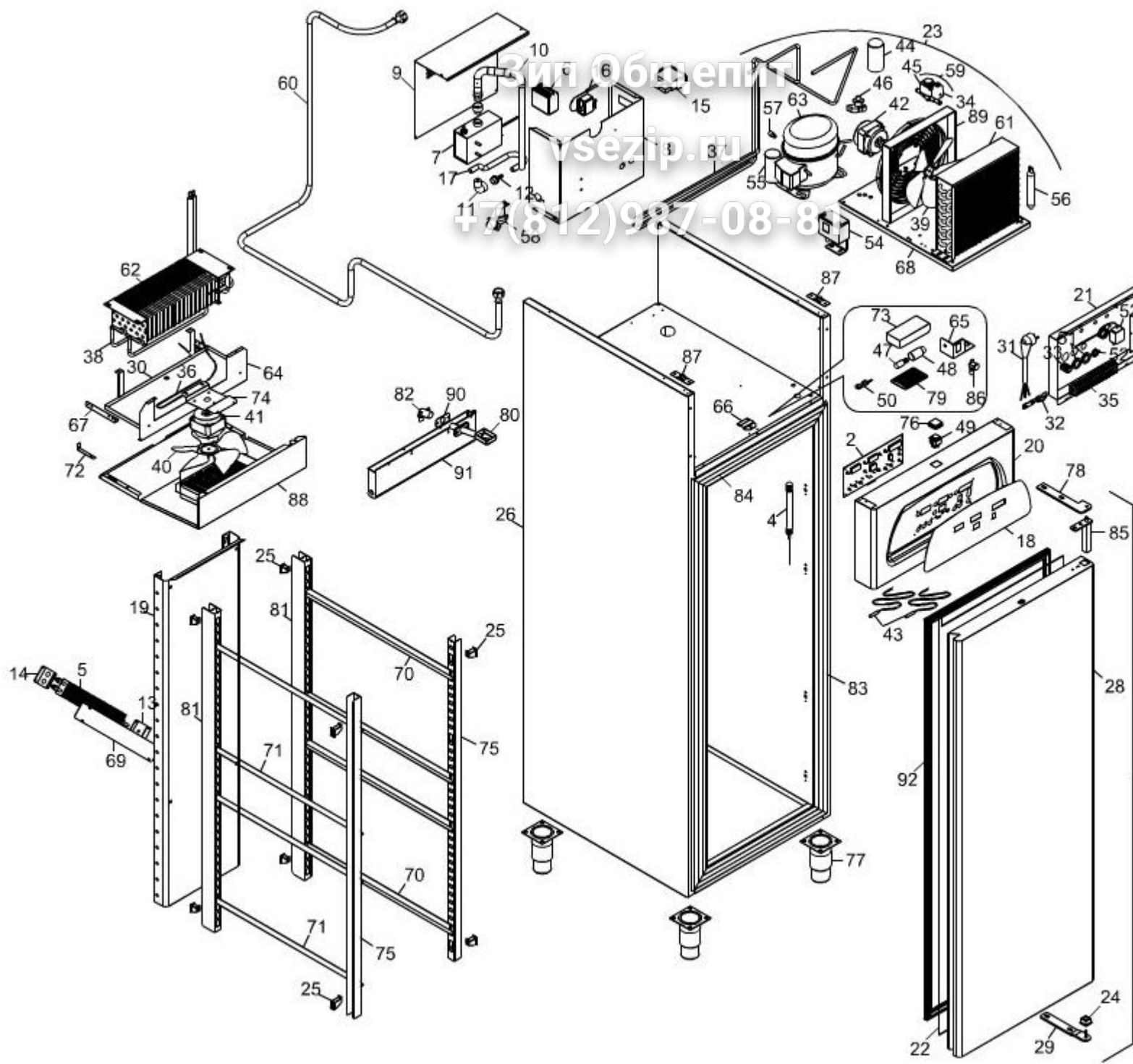
vsezip.ru

+7(812)987-08-81



AF1B

Edition 20061010-20080514



| Pos | Code | Description | Info |
|-----|--------------|----------------------|-------------|
| 001 | 3088030 | ELECTRONIC CARD | 01/07/2006- |
| 002 | 3063200 | ELECTRONIC CARD | 01/07/2006- |
| 003 | 3063210 | ELECTRONIC CARD | 01/07/2006- |
| 004 | 3063240 | PROBE | 01/07/2006- |
| 005 | 3063250 | RESISTOR | 01/07/2006- |
| 006 | 3065790 | REGULATOR | 01/07/2006- |
| 007 | 3066920 | GENERATOR | 01/07/2006- |
| 008 | 3067170 | SUPPORT | 01/07/2006- |
| 009 | 3067180 | COVER | 01/07/2006- |
| 010 | 3068000 | PIPE | 01/07/2006- |
| 011 | 3068030 | UNION | 01/07/2006- |
| 012 | 3068040 | HOSE SUPPORT | 01/07/2006- |
| 013 | 3068140 | SUPPORT | 01/07/2006- |
| 014 | 3068150 | SUPPORT | 01/07/2006- |
| 015 | 3069090 | THERMOREGULATOR | 01/07/2006- |
| 016 | 3069800 | SAFETY THERMOSTAT | 01/07/2006- |
| 018 | 3071420 | SILK-SCREE.PANEL | 01/07/2006- |
| 019 | 3079260 | CONVEYOR | 01/07/2006- |
| 020 | 3079280 | CONTROL BOARD | 01/07/2006- |
| 021 | 3079610 | COMPONENT GUARD | 01/07/2006- |
| 022 | 32G3590 | RESISTOR | 01/07/2006- |
| 023 | 3085600 | MOTOR UNIT | 01/07/2006- |
| 024 | 3178300 | PLUG | 01/07/2006- |
| 025 | 3601350 | RACK SUPPORT | 01/07/2006- |
| 026 | AF1B-Pos.026 | BODY | 01/07/2006- |
| 027 | 6014870 | DOOR UNIT | 01/07/2006- |
| 028 | 30F1390 | FRIDGE DOOR | 01/07/2006- |
| 029 | 30T4510 | BOTTOM BRACKET | 01/07/2006- |
| 030 | 30W5210 | COND. TRAY | 01/07/2006- |
| 031 | 32A2200 | POWER SUPPLY CABLE | 01/07/2006- |
| 032 | 32D0020 | CABLE CLAMP Ø 4 - 12 | 01/07/2006- |
| 033 | 32D0700 | CABLE CLAMP | 01/07/2006- |
| 034 | 32D0710 | THREE-POLE CONNECTOR | 01/07/2006- |
| 035 | 32D0761 | TERMINAL BOARD | 01/07/2006- |
| 036 | 32G2420 | HEATING ELEMENT | 01/07/2006- |
| 037 | 35X5281 | PIPE COIL | 01/07/2006- |
| 038 | 32G3570 | RESISTOR | 01/07/2006- |
| 039 | 32M7220 | FAN | 01/07/2006- |
| 040 | 32M2510 | FAN | 01/07/2006- |
| 041 | 32M7020 | FAN MOTOR | 01/07/2006- |
| 042 | 32M7210 | FAN MOTOR | 01/07/2006- |
| 043 | 32V0150 | TEMP. PROBE | 01/07/2006- |
| 044 | 32Z9140 | CONDENSER | 01/07/2006- |
| 045 | 32V4590 | COIL | 01/07/2006- |
| 046 | 32Z9220 | RELAY | 01/07/2006- |
| 047 | 32W3790 | LIGHT | 01/07/2006- |
| 048 | 32W3800 | LAMP-HOLDER | 01/07/2006- |
| 049 | 32W3970 | BIPOLAR SWITCH | 01/07/2006- |
| 050 | 32W4310 | MICROSWITCH | 01/07/2006- |
| 051 | 32X0120 | GROMMET Ø 21 | 01/07/2006- |
| 052 | 32X0140 | GROMMET Ø13,5-Ø25 | 01/07/2006- |

| Pos | Code | Description | Info |
|-----|---------|-----------------------------|-------------|
| 053 | 32Z1090 | THERMOSTAT | 01/07/2006- |
| 054 | 32Z5890 | PRESSURE-SW | 01/07/2006- |
| 055 | 32Z9230 | CONDENSER | 01/07/2006- |
| 056 | 33A0190 | FILTER | 01/07/2006- |
| 057 | 33A1200 | AUXIL.VALVE | 01/07/2006- |
| 058 | 33D1371 | INLET WATER SOLENOID VALVE | 01/07/2006- |
| 059 | 33G0670 | SOLENOID VALVE | 01/07/2006- |
| 060 | 33M1160 | WATER WAY IN | 01/07/2006- |
| 061 | 34E2220 | CONDEN.+BAFFLE | 01/07/2006- |
| 062 | 34E2140 | EVAPORATOR | 01/07/2006- |
| 063 | 34D4540 | COMPRESSOR | 01/07/2006- |
| 064 | 35L1560 | CLOSING PLATE | 01/07/2006- |
| 065 | 35R9260 | LOCK SUPPORT | 01/07/2006- |
| 066 | 3065480 | SUPPORT | 05/09/2006- |
| 067 | 35R9850 | PROTECTION SUPPORT | 01/07/2006- |
| 068 | 35W4350 | TRAY ASS.Y | 01/07/2006- |
| 069 | 3085630 | RESISTOR GUARD | 01/07/2006- |
| 070 | 3089720 | GUIDE | 10/10/2006- |
| 071 | 3089730 | GUIDE | 10/10/2006- |
| 072 | 35Y2000 | SUPPORT | 01/07/2006- |
| 073 | 35Y3090 | LAMP GUARD | 01/07/2006- |
| 074 | 35Y3830 | FAN SUPPORT | 01/07/2006- |
| 075 | 3089680 | RACK | 10/10/2006- |
| 076 | 36C5180 | SWITCH PROT. | 01/07/2006- |
| 077 | 36C5600 | FOOT | 01/07/2006- |
| 078 | 36E2120 | TOP BRACKET | 01/07/2006- |
| 079 | 36E2240 | LAMP PROTECTION GLASS SLIDE | 01/07/2006- |
| 080 | 36E2270 | CONDENS. DRAIN | 01/07/2006- |
| 081 | 3089690 | RACK | 10/10/2006- |
| 082 | 36E3870 | CONDENS. DRAIN | 01/07/2006- |
| 083 | 36E4890 | FRAME TRIM | 01/07/2006- |
| 084 | 36E5140 | FRAME TRIM | 01/07/2006- |
| 085 | 36G6520 | HINGE | 01/07/2006- |
| 086 | 36M7070 | KEY LOCK | 01/07/2006- |
| 087 | 36M7080 | HINGE | 01/07/2006- |
| 088 | 3AQ0240 | EVAPORATOR GUARD | 01/07/2006- |
| 089 | 36Z0540 | FAN.PROT. | 01/07/2006- |
| 090 | 36Z1410 | GASKET | 01/07/2006- |
| 091 | 36Z2280 | COND. TRAY | 01/07/2006- |
| 092 | 37Q5510 | DOOR GASKET | 01/07/2006- |