

Зип Общепит

vsezip.ru

+7(812)987-08-81



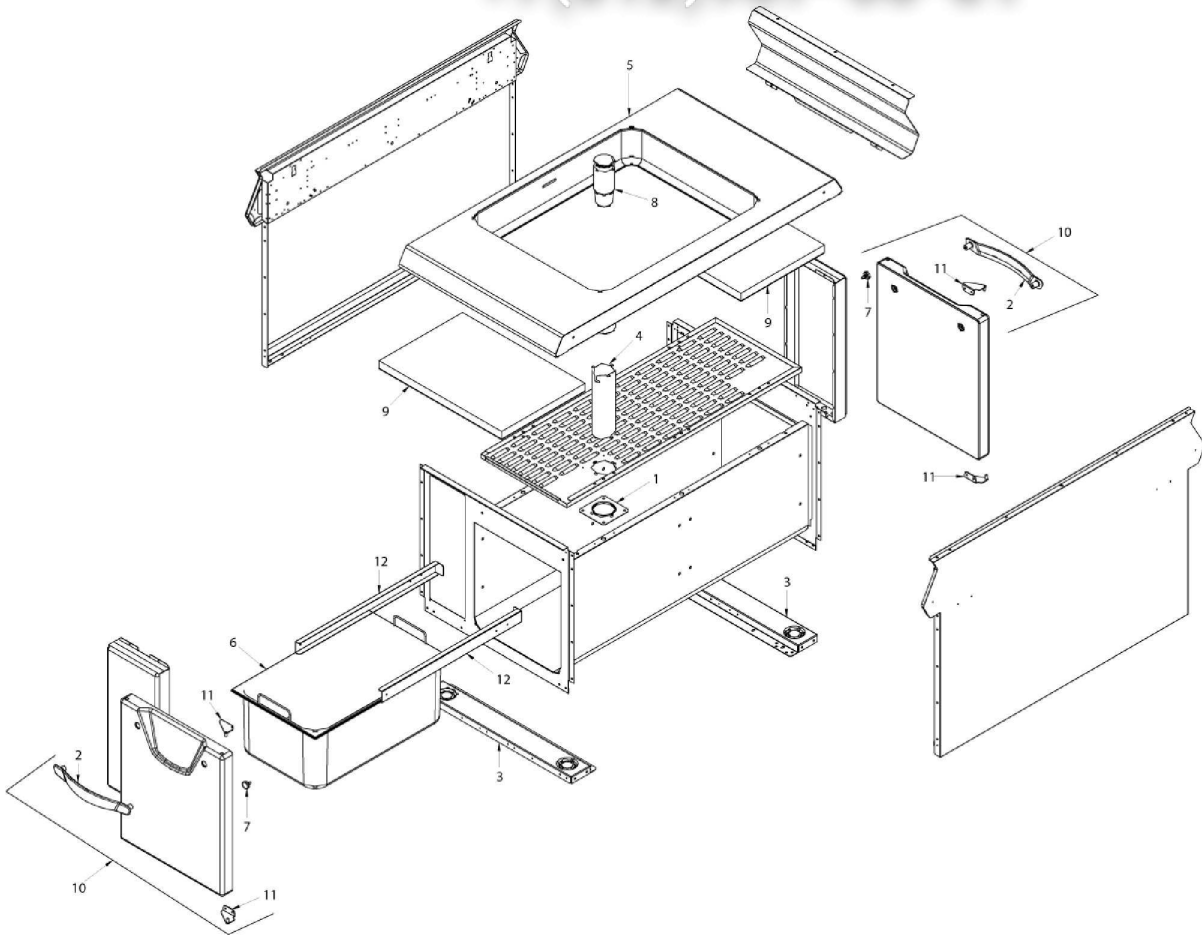
06WBR3E

Edition 20131008-

Зип Общепит

vsezip.ru

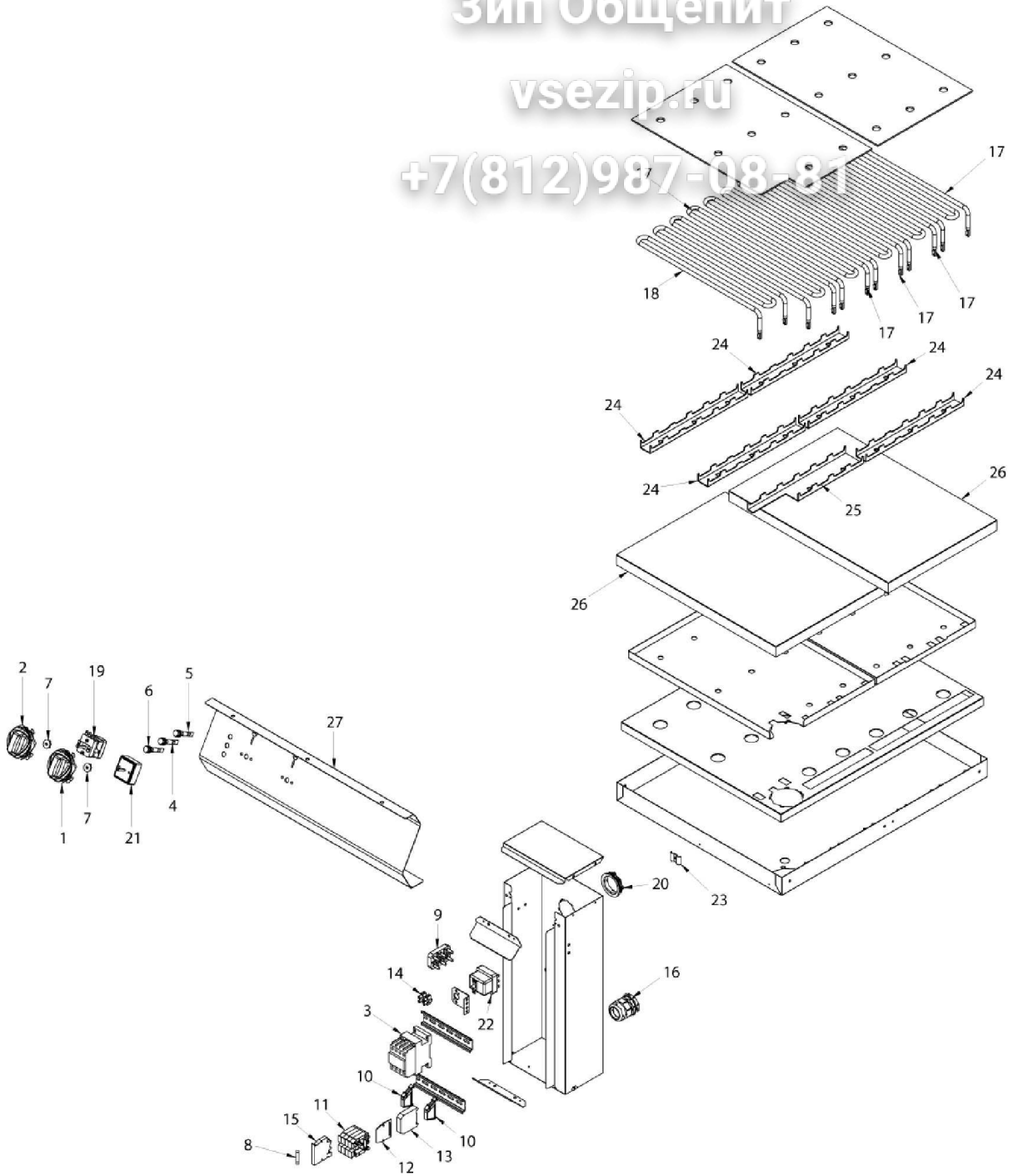
+7(812)987-08-81



Зип Общепит

vsezip.ru

+7(812)987-08-81



| Page | Pos | Code | Description | Info |
|------|-----|---------|----------------------------------|-------------|
| 002 | 001 | 3002141 | PLATE | 01/02/2008- |
| 002 | 002 | 3010573 | HANDLE | 04/10/2013- |
| 002 | 003 | 3012350 | PROFILE OMEGA | 01/02/2008- |
| 002 | 004 | 3014540 | DRAIN PIPE | 01/02/2008- |
| 002 | 005 | 3134170 | SHELF | 01/02/2008- |
| 002 | 006 | 3139400 | TRAY GN1/1 H=200 | 01/02/2008- |
| 002 | 007 | 3600090 | MAGNET PLATE | 01/02/2008- |
| 002 | 008 | 36C5200 | PLUG | 01/02/2008- |
| 002 | 009 | 37Q4880 | INSULANTING PANEL | 01/02/2008- |
| 002 | 010 | 6029880 | DOOR ASS.Y | 20/06/2012- |
| 002 | 011 | 6029110 | HINGE ASSEMBLY | 19/05/2010- |
| 002 | 012 | 3134140 | CONTAINER SLIDE | 01/02/2008- |
| 003 | 001 | 3015791 | HANDLE | 01/02/2008- |
| 003 | 002 | 3015871 | ELECTRIC CONTROL KNOB | 01/02/2008- |
| 003 | 003 | 3100920 | RELAY BF25 230V- 50/60Hz-32(25)A | 01/02/2008- |
| 003 | 004 | 3106710 | GREEN LIGHT 230V | 01/02/2008- |
| 003 | 005 | 3106720 | RED LIGHT 230V | 01/02/2008- |
| 003 | 006 | 3106730 | ORANGE LIGHT 230V | 01/02/2008- |
| 003 | 007 | 3152240 | THERMOSTAT PROTECT. | 01/02/2008- |
| 003 | 008 | 3200020 | FUSE 5X20 | 01/02/2008- |
| 003 | 009 | 32D0030 | TERMINAL BOARD | 01/02/2008- |
| 003 | 010 | 32D0870 | TERMINAL CLAMP | 01/02/2008- |
| 003 | 011 | 32D0950 | LIVE TERMINAL | 01/02/2008- |
| 003 | 012 | 32D0960 | TERMINAL END COVER | 01/02/2008- |
| 003 | 013 | 32D0970 | GROUND TERMINAL | 01/02/2008- |
| 003 | 014 | 32D1450 | TERMINAL | 01/02/2008- |
| 003 | 015 | 32D1730 | FUSE TERMINAL BOARD | 01/02/2008- |
| 003 | 016 | 32D1780 | FAIRLEAD | 01/02/2008- |
| 003 | 017 | 32G3210 | HEATING ELEMENT | 01/02/2008- |
| 003 | 018 | 32G3330 | HEAT.ELEM. 1500W- 230V | 01/02/2008- |
| 003 | 019 | 32V6510 | THERMOSTAT 50-310° | 01/02/2008- |
| 003 | 020 | 32X0210 | C 1F GROMMET | 01/02/2008- |
| 003 | 021 | 32Z0171 | VOLTAGE REGULATOR | 01/02/2008- |
| 003 | 022 | 32Z9202 | SAFETY THERMOSTAT | 01/02/2008- |
| 003 | 023 | 35T3540 | BULB HOLDER | 01/02/2008- |
| 003 | 024 | 35U5531 | SLIDE | 08/10/2013- |
| 003 | 025 | 35U7720 | SLIDE | 01/02/2008- |
| 003 | 026 | 37Q4880 | INSULANTING PANEL | 01/02/2008- |
| 003 | 027 | 3134150 | UPPER CONTROL BOARD | 01/02/2008- |