

Зип Общепит

vsezip.ru

+7(812)987-08-81



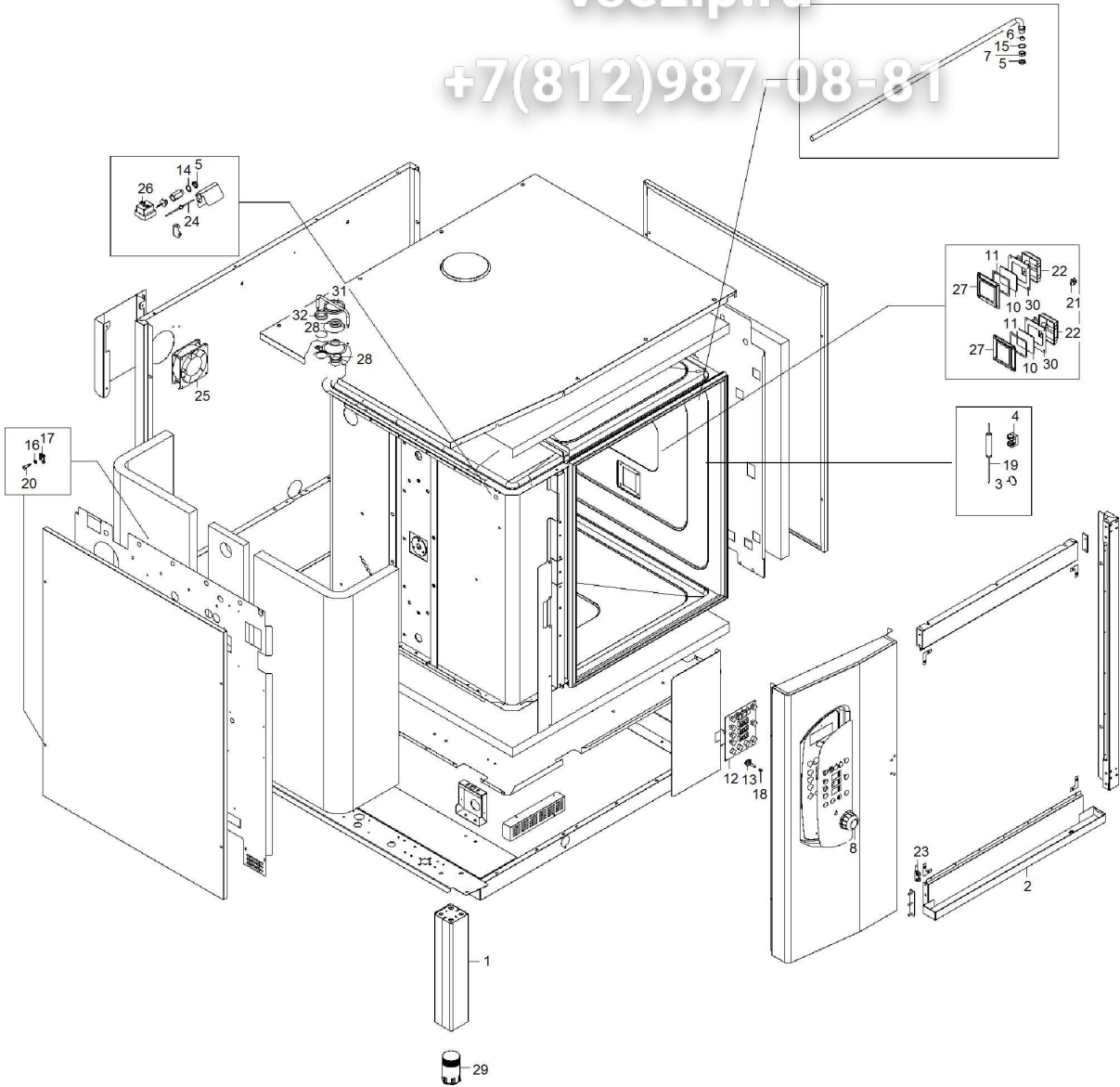
**FM1221E2-  
VERS.2006**

**Edition 20150305-**

Зип Общепит

vsezip.ru

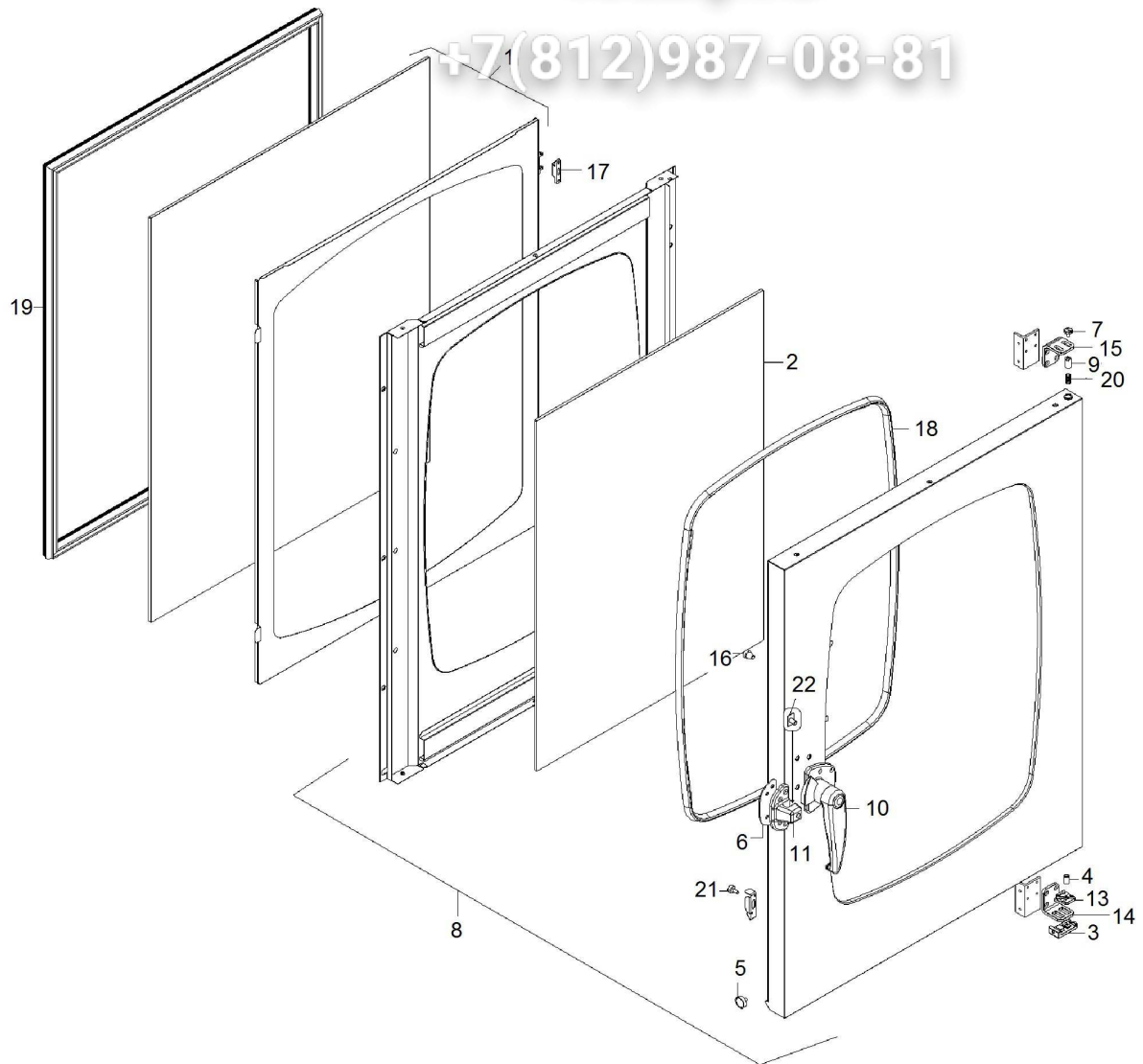
+7(812)987 08-81



Зип Общепит

vsezip.ru

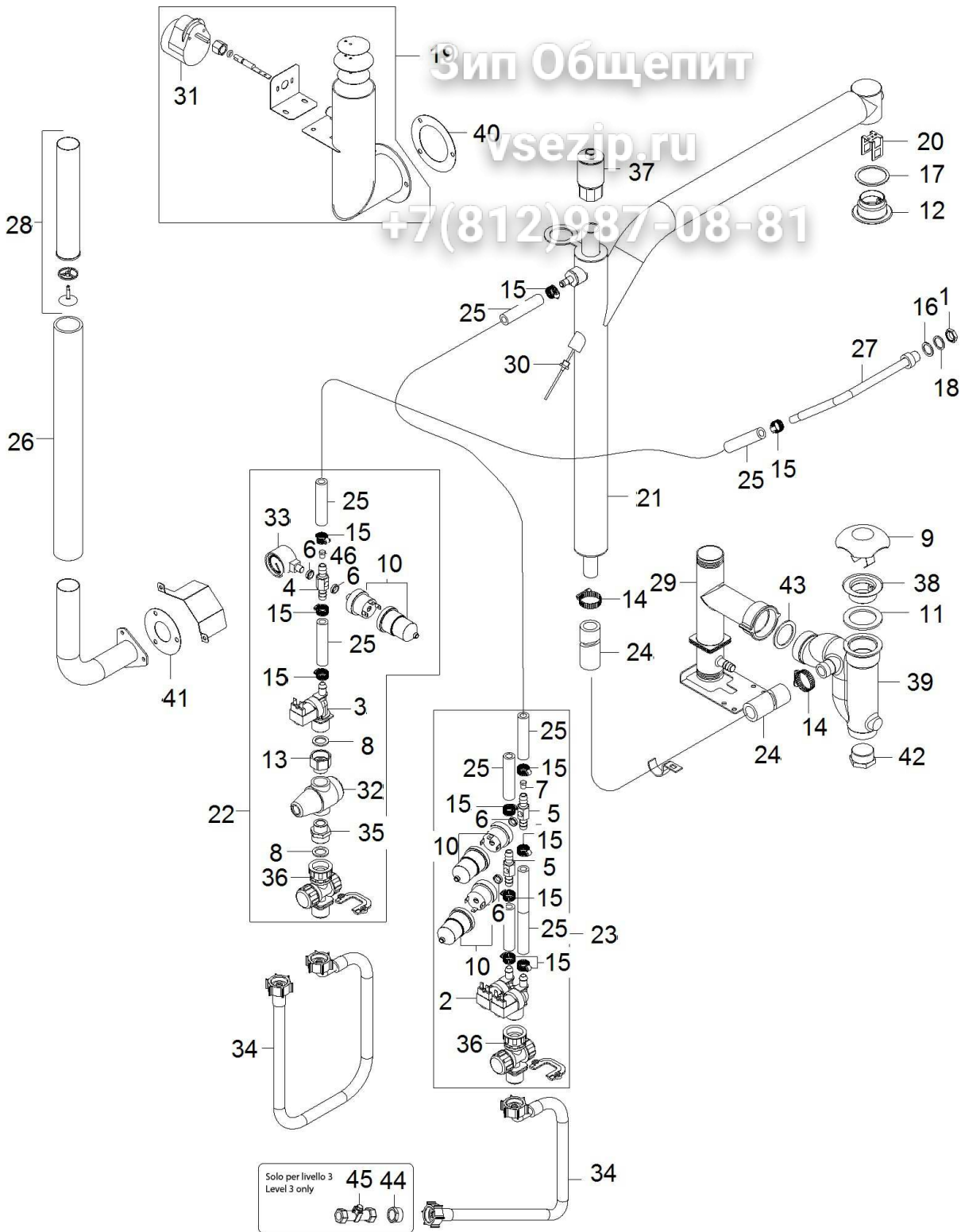
+7(812)987-08-81



Zip Общепит

vsezip.ru

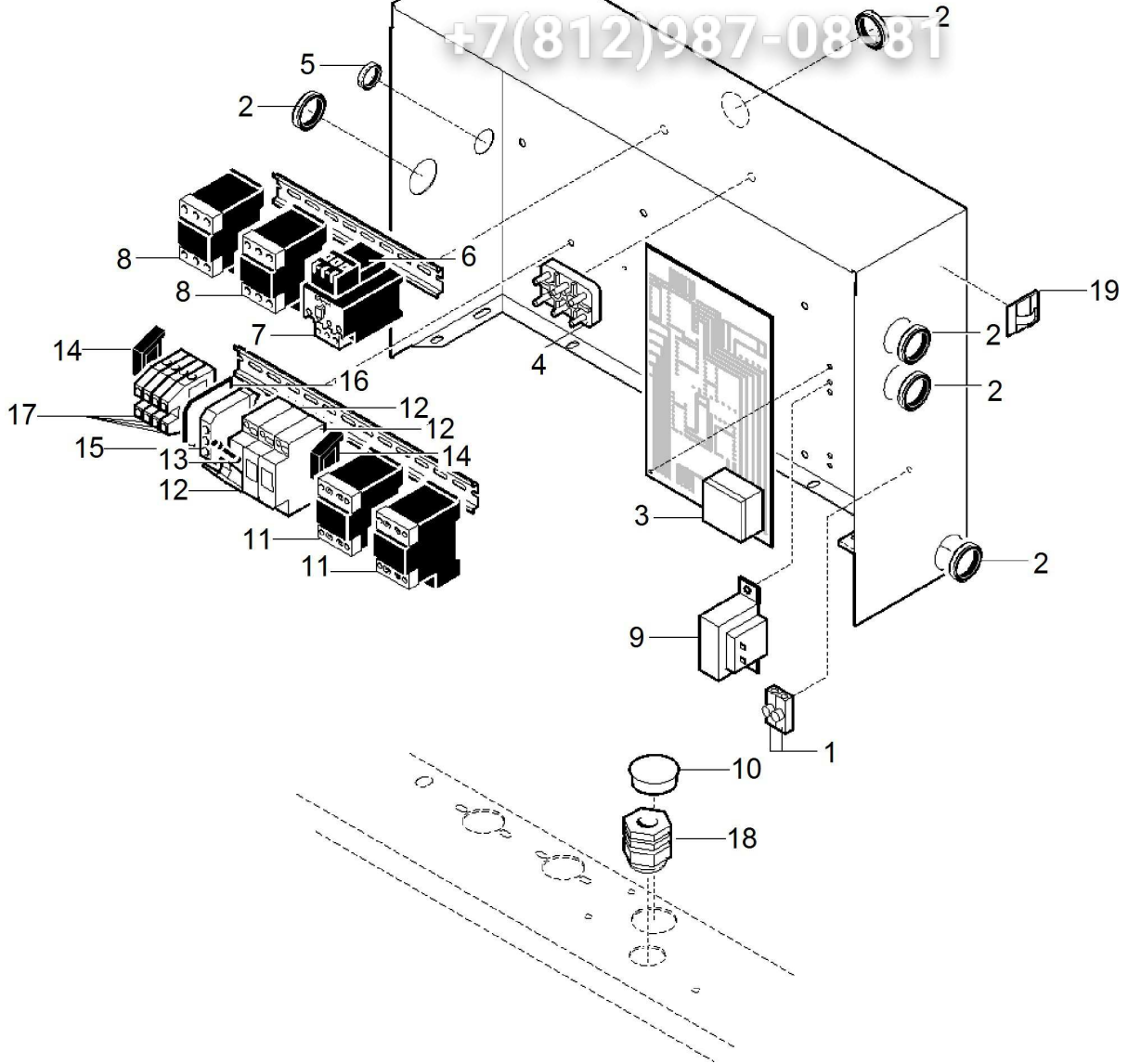
+7(812)987-08-81



Зип Общепит

vsezip.ru

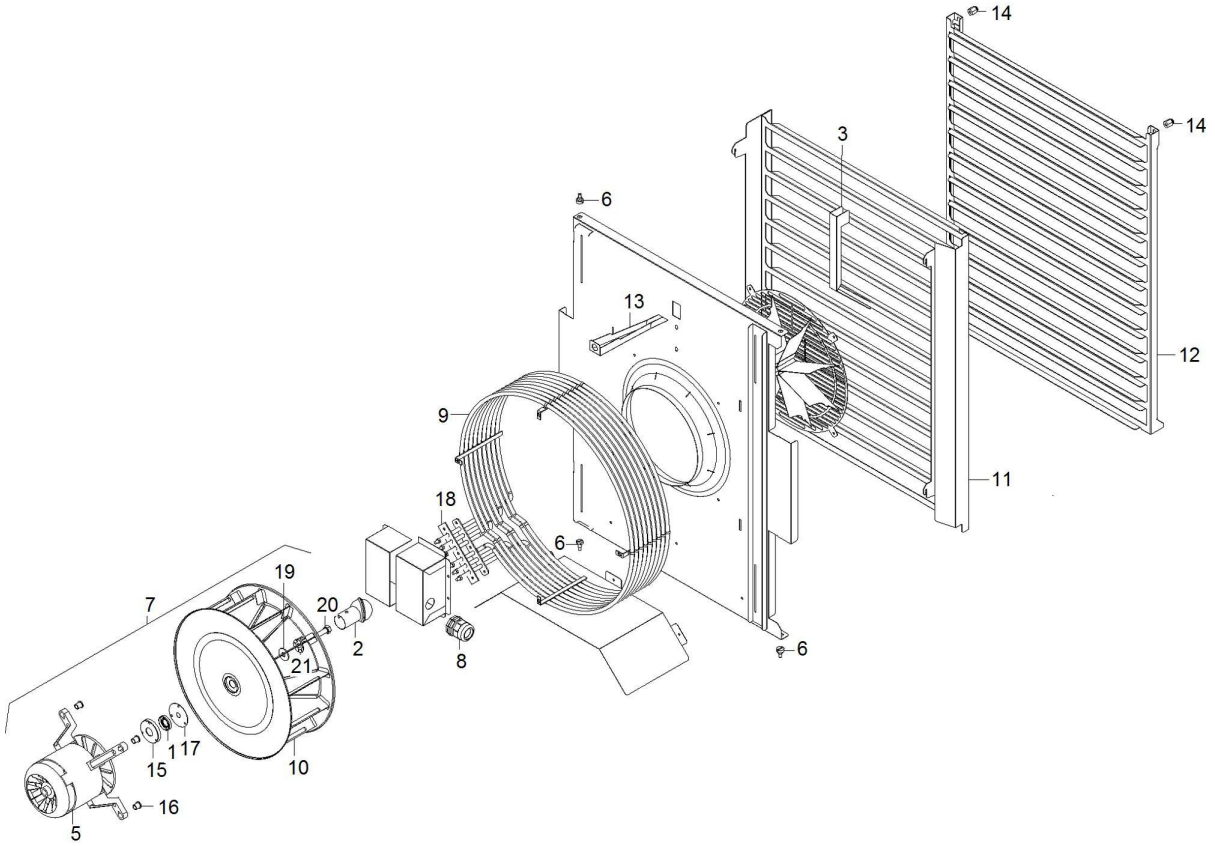
+7(812)987-0881



Зип Ощепит

vsezip.ru

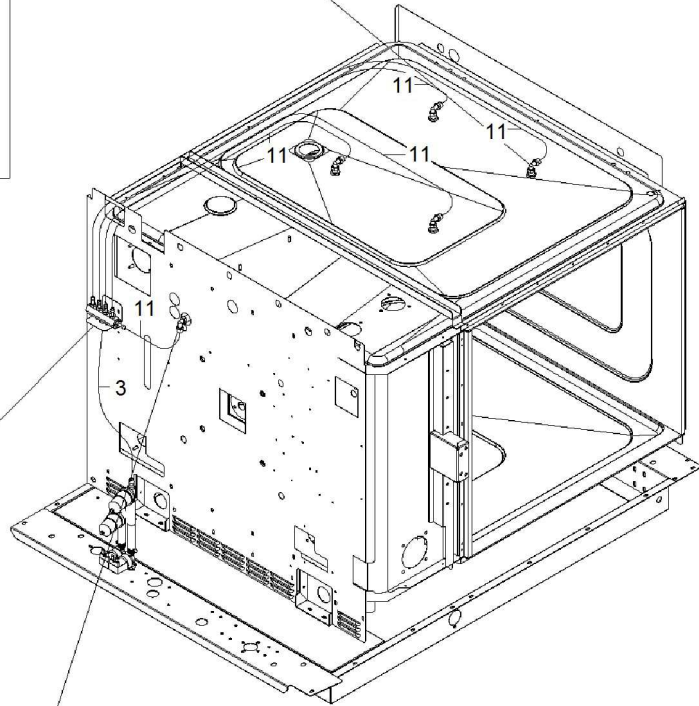
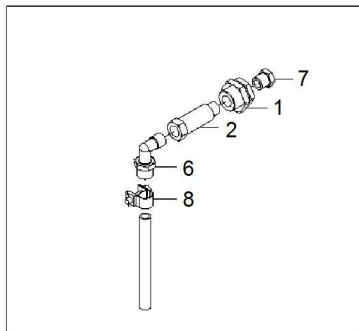
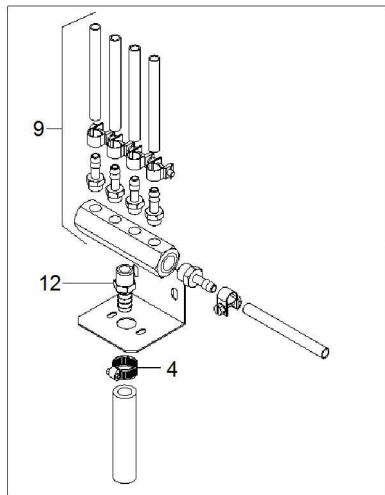
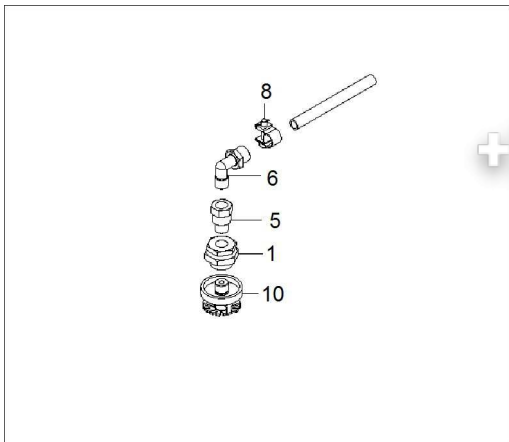
+7(812)987-08-81



Зип Общепит

vsezip.ru

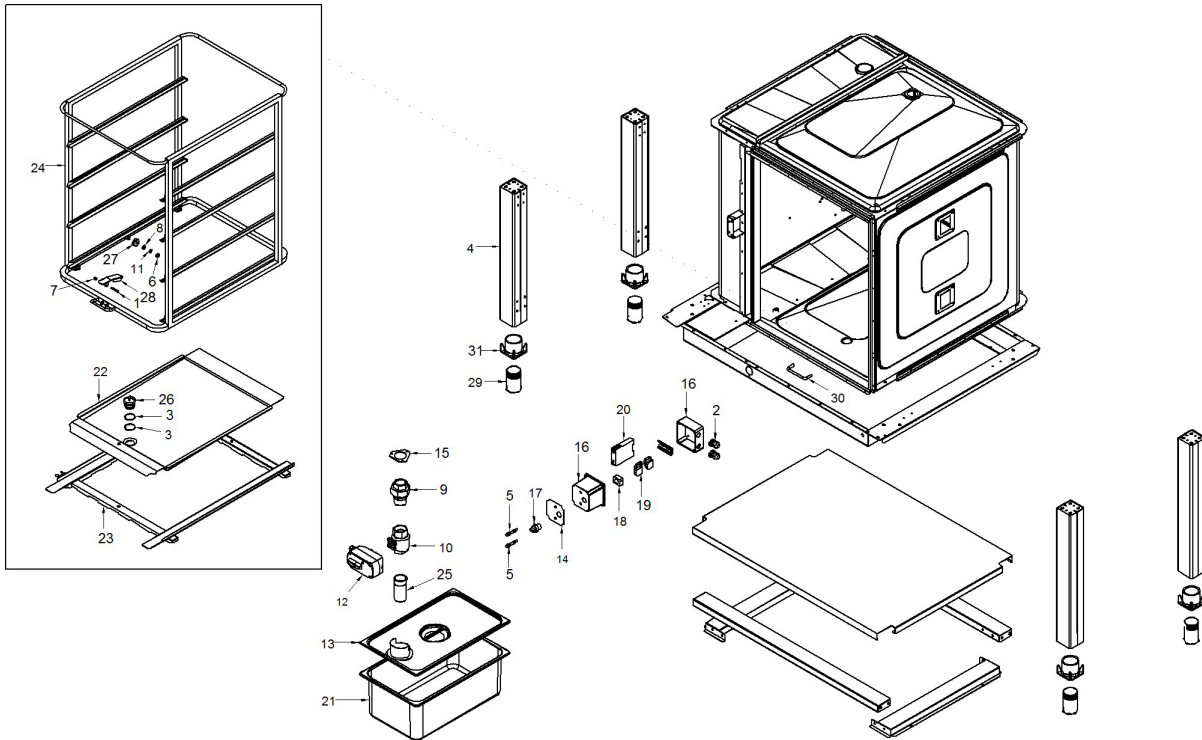
+7(812)987-08-81



Зип Общепит

vsezip.ru

+7(812)987-08-81





| Page | Pos | Code    | Description                                       | Info        |
|------|-----|---------|---|-------------|
| 002  | 001 | 6300742 | ASSEMBLY UP RIGHT                                 | 01/01/2006- |
| 002  | 002 | 3076910 | TRAY ASS.Y  | 13/07/2006- |
| 002  | 003 | 3004870 | PROBE WIRE RETAINER                               | 01/01/2006- |
| 002  | 004 | 3009231 | SUPP. PROBE                                       | 01/01/2006- |
| 002  | 005 | 36Q1171 | LOCKNUT M16X1.5                                   | 01/01/2006- |
| 002  | 006 | 3031100 | GASKET  | 01/01/2006- |
| 002  | 007 | 3031110 | CONNECT.  | 01/01/2006- |
| 002  | 008 | 36H0901 | ENCODER KNOB                                      | 01/01/2006- |
| 002  | 009 | 3125011 | LEVEL 1-2 DASHBOARD                               | 09/05/2008- |
| 002  | 010 | 3036962 | GLASS   | 07/08/2012- |
| 002  | 012 | 3146492 | PCB   | 02/03/2009- |
| 002  | 013 | 3051070 | ENCODER PIN $\phi$ 6-4.5                          | 01/01/2006- |
| 002  | 014 | 3151441 | WASHER $\phi$ 22 $\phi$ 16.2=1.5 CU               | 01/01/2006- |
| 002  | 015 | 3152360 | WASHER 3/8" 3/8" $\phi$ 22- $\phi$ 17.2=1.5 CU/NI | 01/01/2006- |
| 002  | 016 | 3188650 | WASHER  | 23/11/2010- |
| 002  | 017 | 3170110 | ACCOMODATION $\phi$ 6                             | 01/01/2006- |
| 002  | 018 | 3170290 | KNOB SPRING                                       | 01/01/2006- |
| 002  | 019 | 6300643 | THERMAL RESISTOR PT1000 ASSEM                     | 01/01/2006- |
| 002  | 020 | 31X0170 | PIN FT $\phi$ 6                                   | 01/01/2006- |
| 002  | 021 | 3000060 | TERMINAL  | 01/01/2006- |
| 002  | 022 | 32V5570 | LAMP, COMPLETE                                    | 01/01/2006- |
| 002  | 023 | 32V5740 | MAGNETIC MICROSWITCH                              | 01/01/2006- |
| 002  | 024 | 32V5750 | THERMAL RESISTOR, PT1000                          | 01/01/2006- |
| 002  | 025 | 32V5790 | FAN 20W 120mm                                     | 21/02/2013- |
| 002  | 026 | 3111950 | SAFETY THERMOSTAT                                 | 29/10/2008- |
| 002  | 027 | 3278370 | LAMP GUARD  | 14/01/2015- |
| 002  | 028 | 36E3790 | WASHER  | 01/01/2006- |
| 002  | 029 | 36C3220 | FOOT S/S ASSEMBLY                                 | 01/01/2006- |
| 002  | 030 | 36E3170 | LAMP GASKET                                       | 01/01/2006- |
| 002  | 031 | 36E3860 | WASHER  | 01/01/2006- |
| 002  | 032 | 36E3560 | WASHER  | 01/01/2006- |
| 003  | 001 | 6023110 | INSIDE MOVING GLASS + FRAME FO                    | 01/01/2006- |
| 003  | 002 | 36E3490 | DOOR OUTSIDE GLASS                                | 01/01/2006- |
| 003  | 003 | 3003460 | HINGE BRACKET                                     | 01/01/2006- |
| 003  | 004 | 3003470 | BOTTOM HINGE BUSHING                              | 01/01/2006- |
| 003  | 005 | 3008810 | MAGNET  | 01/01/2006- |
| 003  | 006 | 3019510 | SPACER  | 01/01/2006- |
| 003  | 007 | 3190020 | SCREW M6X10                                       | 01/01/2006- |
| 003  | 008 | 6300657 | OVEN DOOR ASS. Y                                  | 10/12/2007- |
| 003  | 009 | 36D7062 | PIN   | 01/01/2006- |
| 003  | 010 | 36E2570 | WEDGE LOCK  | 01/01/2006- |
| 003  | 011 | 36E2581 | LOCK UNIT   | 21/07/2009- |
| 003  | 013 | 36E2660 | BOTTOM DOOR SUPPORT                               | 01/01/2006- |
| 003  | 014 | 36E2670 | DOOR BOTTOM HINGE                                 | 01/01/2006- |
| 003  | 015 | 36E2680 | DOOR TOP HINGE                                    | 01/01/2006- |
| 003  | 016 | 36E2781 | DOOR GUARD  | 07/09/2011- |
| 003  | 017 | 36E2820 | MALE HALF HINGE                                   | 01/01/2006- |
| 003  | 018 | 36E3480 | EXTERNAL GLASS GASKET                             | 01/01/2006- |
| 003  | 019 | 36E3521 | FRONT GASKET                                      | 01/01/2006- |
| 003  | 020 | 36G5320 | SPRING  | 01/01/2006- |
| 003  | 021 | 36H0920 | FRAME PIN   | 01/01/2006- |

| Page | Pos | Code    | Description                           | Info        |
|------|-----|---------|---------------------------------------|-------------|
| 003  | 022 | 6300843 | PLASTIC INSERT LOCK                   | 01/01/2006- |
| 004  | 001 | 36Q1171 | LOCKNUT M16X1.5                       | 01/01/2006- |
| 004  | 002 | 3032670 | "SOLENOID VALVE 3/4" 1IN-2OUT"        | 01/01/2006- |
| 004  | 003 | 3032680 | "SOLENOID VALVE 3/4" 1IN-1OUT"        | 01/01/2006- |
| 004  | 004 | 3032880 | CONNECTOR                             | 01/01/2006- |
| 004  | 005 | 3032890 | CONNECTOR                             | 01/01/2006- |
| 004  | 006 | 3032900 | SPACER                                | 01/01/2006- |
| 004  | 007 | 3032920 | JET Ø 1.85                            | 01/01/2006- |
| 004  | 008 | 37Q2840 | GASKET                                | 01/01/2006- |
| 004  | 009 | 3278360 | FILTER                                | 13/02/2015- |
| 004  | 010 | 3041830 | PRESSURESTAT                          | 01/01/2006- |
| 004  | 011 | 3045960 | GASKET                                | 01/01/2006- |
| 004  | 012 | 3051330 | VALVE CONNECTOR                       | 01/01/2006- |
| 004  | 013 | 3051370 | SLEEVE F3/4 M1/2                      | 01/01/2006- |
| 004  | 014 | 3140220 | PIPE CLAMP                            | 01/01/2006- |
| 004  | 015 | 3140230 | 12/20 PIPE CLAMP                      | 01/01/2006- |
| 004  | 016 | 3151441 | WASHER Ø22Ø16.2=1.5 CU                | 01/01/2006- |
| 004  | 017 | 3151450 | WASHER                                | 01/01/2006- |
| 004  | 018 | 3152360 | WASHER 3/8" 3/8" Ø22-Ø17.2=1.5 CU/NI  | 01/01/2006- |
| 004  | 019 | 6002620 | BUTTERFLY VALVE UNIT                  | 01/01/2006- |
| 004  | 020 | 6002930 | COUNTERWEIGHT, SINGLE                 | 01/01/2006- |
| 004  | 021 | 6020031 | CONDENSATION DRAIN UNIT               | 19/10/2009- |
| 004  | 022 | 6019290 | WATER INTAKE UNIT                     | 01/01/2006- |
| 004  | 023 | 6020041 | WATER INTAKE UNIT                     | 02/12/2008- |
| 004  | 024 | 111AA05 | RUBBER HOSE Ø30 Ø20                   | 01/01/2006- |
| 004  | 025 | 131AA12 | RUBBER HOSE Ø17Ø10 X H <sup>2</sup> O | 01/01/2006- |
| 004  | 026 | 131AA29 | RUBBER HOSE                           | 01/01/2006- |
| 004  | 027 | 30Z2050 | PIPE AISI304 Ø12- 159X77              | 01/01/2006- |
| 004  | 028 | 6002920 | EXTRACTION UNIT                       | 01/01/2006- |
| 004  | 029 | 30Z3011 | WASTE PIPE                            | 01/01/2006- |
| 004  | 030 | 32V5760 | THERMAL RESISTOR, PT1000              | 01/01/2006- |
| 004  | 031 | 32V5780 | CYCLE PROGRAMMER                      | 01/01/2006- |
| 004  | 032 | 33D1650 | "PRES. REDUC. VAL. F-F Ø 1/2" ""      | 01/01/2006- |
| 004  | 033 | 33D1680 | MANOMETRE 0-40BAR M1/8                | 01/01/2006- |
| 004  | 034 | 33M0350 | PIPE                                  | 01/01/2006- |
| 004  | 035 | 33Q2500 | NIPPLE 1/2"-3/4"                      | 01/01/2006- |
| 004  | 036 | 33Q4860 | H2O FILTER                            | 02/12/2008- |
| 004  | 037 | 33Q5980 | SOUND REDUC. CONNECTOR                | 01/01/2006- |
| 004  | 038 | 36A3401 |                                       | 04/12/2013- |
| 004  | 039 | 36A5020 | DRAIN TRAP                            | 01/01/2006- |
| 004  | 040 | 36E3000 | BUTTERFLY VALVE GASKET                | 01/01/2006- |
| 004  | 041 | 36E3010 | EXTRACTION GASKET                     | 01/01/2006- |
| 004  | 042 | 36E3040 | "M" 1" PLUG"                          | 01/01/2006- |
| 004  | 043 | 36E3320 | SIPHON GASKET                         | 01/01/2006- |
| 004  | 044 | 3006360 | REDUCING MF 3/4"G- 1/2"G              | 19/09/2008- |
| 004  | 045 | 3004170 | VALVE                                 | 19/09/2008- |
| 004  | 046 | 3032930 | JET                                   | 01/01/2006- |
| 004  | 046 | 3032940 | JET                                   | 01/01/2006- |
| 004  | 046 | 3032950 | JET                                   | 01/01/2006- |
| 005  | 001 | 32D1450 | TERMINAL                              | 01/01/2006- |
| 005  | 002 | 32X0120 | GROMMET Ø 21                          | 01/01/2006- |

| Page | Pos | Code    | Description                     | info        |
|------|-----|---------|---------------------------------|-------------|
| 005  | 003 | 32V5361 | PCB                             | 01/04/2007- |
| 005  | 004 | 32D0030 | TERMINAL BOARD                  | 01/01/2006- |
| 005  | 005 | 32X0130 | GROMMET Ø29-Ø37                 | 01/01/2006- |
| 005  | 006 | 3100950 | INDEP. ASSEMBLY SUPPORT         | 18/12/2007- |
| 005  | 007 | 3101090 | RELAY                           | 18/12/2007- |
| 005  | 008 | 3100930 | RELAY                           | 18/12/2007- |
| 005  | 009 | 32V5930 | TRANSFORMER                     | 01/01/2006- |
| 005  | 010 | 36Q1940 | HOLE PLUG                       | 01/01/2006- |
| 005  | 011 | 3100940 | RELAY BF09 230V- 50/60Hz-25(9)A | 18/12/2007- |
| 005  | 012 | 32V6200 | FUSE TERMINAL 10x38             | 01/01/2006- |
| 005  | 013 | 32V6210 | FUSE                            | 01/01/2006- |
| 005  | 014 | 32D0870 | TERMINAL CLAMP                  | 01/01/2006- |
| 005  | 015 | 32D0970 | GROUND TERMINAL                 | 01/01/2006- |
| 005  | 016 | 32D0960 | TERMINAL END COVER              | 01/01/2006- |
| 005  | 017 | 32D0950 | LIVE TERMINAL                   | 01/01/2006- |
| 005  | 018 | 32D1780 | FAIRLEAD                        | 01/01/2006- |
| 005  | 019 | 32X0380 | ADHESIVE PLATE                  | 01/01/2006- |
| 006  | 001 | 3004400 | GASKET                          | 01/01/2006- |
| 006  | 002 | 3004791 | DIFFUSER                        | 01/01/2006- |
| 006  | 003 | 30Q2690 | END PIPE, COMPLETE              | 01/01/2006- |
| 006  | 005 | 32M6722 | MOTOR LEVEL 1-2                 | 01/01/2006- |
| 006  | 006 | 3084430 | SCREW TE M6 Ø16x23              | 01/03/2007- |
| 006  | 007 | 6003040 | MOTOR ASS.Y                     | 01/01/2006- |
| 006  | 008 | 32D1780 | FAIRLEAD                        | 01/01/2006- |
| 006  | 009 | 32G1711 | HEATING EL.                     | 01/01/2006- |
| 006  | 010 | 32M6761 | FAN                             | 01/01/2006- |
| 006  | 011 | 3281510 | LH TRAY HOLDER                  | 05/03/2015- |
| 006  | 012 | 3281500 | RH FRAME ASS. Y                 | 05/03/2015- |
| 006  | 013 | 35Y3260 | WATER INTAKE JOINT              | 01/01/2006- |
| 006  | 014 | 3278380 | M6 TRAY HOLDER PIN              | 11/02/2015- |
| 006  | 015 | 36E3160 | RING GASKET                     | 01/01/2006- |
| 006  | 016 | 36H0890 | SUPPORT BUSHING                 | 01/01/2006- |
| 006  | 017 | 37Q0250 | GASKET                          | 01/01/2006- |
| 006  | 018 | 37Q3220 | GASKET                          | 01/01/2006- |
| 006  | 019 | 3014810 | WASHER Ø30Ø10.5=2.5             | 01/01/2006- |
| 006  | 020 | 3016470 | SCREW M10X35                    | 01/01/2006- |
| 006  | 021 | 3019001 | WASHER                          | 01/01/2006- |
| 007  | 001 | 3003400 | UNION                           | 01/01/2006- |
| 007  | 002 | 3003760 | EXTENSION                       | 01/01/2006- |
| 007  | 003 | 131AA12 | RUBBER HOSEØ17Ø10 X H²O         | 01/01/2006- |
| 007  | 004 | 3140230 | 12/20 PIPE CLAMP                | 01/01/2006- |
| 007  | 005 | 3007200 | EXTENSION                       | 01/01/2006- |
| 007  | 006 | 3014470 | 90°-ELBOW                       | 01/01/2006- |
| 007  | 007 | 33T4570 | RINSE NOZZLE                    | 09/01/2013- |
| 007  | 008 | 36E4320 | BAND CLAMP                      | 01/01/2006- |
| 007  | 009 | 6016521 | SPRINKLER PIPES ASS.Y           | 27/06/2008- |
| 007  | 010 | 3281420 | FIXED SPOUT                     | 27/01/2015- |
| 007  | 011 | 131AA35 | PIPE                            | 01/01/2006- |
| 007  | 012 | 33Q6650 | UNION                           | 27/06/2008- |
| 008  | 001 | 3032730 | SCREW                           | 01/06/2009- |
| 008  | 002 | 3059590 | GROMMET                         | 01/06/2009- |

| Page | Pos | Code    | Description  | info        |
|------|-----|---------|--|-------------|
| 008  | 003 | 3079680 | "O" RING   | 01/06/2009- |
| 008  | 004 | 6300741 | ASSEMBLY UP RIGHT  | 01/06/2009- |
| 008  | 005 | 3106710 | GREEN LIGHT 230V   | 01/06/2009- |
| 008  | 006 | 3110050 | STEEL NUT M8X6.5   | 01/06/2009- |
| 008  | 007 | 3114590 | NUT M5   | 01/06/2009- |
| 008  | 008 | 3120050 | STEEL WASHER $\varnothing 16 \varnothing 8.4 \times 1.6$ | 01/06/2009- |
| 008  | 009 | 3121850 | PIPE UNION 1" 1/2"                                       | 01/06/2009- |
| 008  | 010 | 3123360 | COCK 1" 1/2"   | 01/06/2009- |
| 008  | 011 | 3123670 | WASHER   | 01/06/2009- |
| 008  | 012 | 3126950 | MOTOR F04 230V 35S OM S/R                                | 01/06/2009- |
| 008  | 013 | 3137080 | COVER  | 01/06/2009- |
| 008  | 014 | 3137140 | DASHBOARD  | 01/06/2009- |
| 008  | 015 | 3137270 | FLANGE   | 01/06/2009- |
| 008  | 016 | 3137710 | CABINET  | 01/06/2009- |
| 008  | 017 | 3137720 | TELEMECANIQUE SWITCH                                     | 01/06/2009- |
| 008  | 018 | 3137730 | TELEMECANIQUE FLANGE                                     | 01/06/2009- |
| 008  | 019 | 3137740 | AUXILIARY CONTACT  | 01/06/2009- |
| 008  | 020 | 3137750 | RELAY  | 01/06/2009- |
| 008  | 021 | 3137800 | TRAY   | 01/06/2009- |
| 008  | 022 | 3138000 | TRAY   | 01/06/2009- |
| 008  | 023 | 3138011 | SLIDING RAIL   | 23/11/2010- |
| 008  | 024 | 3220180 | FRAME  | 21/11/2013- |
| 008  | 025 | 3145380 | DRAIN PIPE 1"1/2 L100MM                                  | 01/06/2009- |
| 008  | 026 | 3145790 | HOLE PLUG  | 01/06/2009- |
| 008  | 027 | 3158020 | WHEEL $\varnothing 30$                                   | 01/06/2009- |
| 008  | 028 | 3158070 | STATIONARY CART  | 01/06/2009- |
| 008  | 029 | 36C3220 | FOOT S/S ASSEMBLY  | 01/06/2009- |
| 008  | 030 | 36D4731 | COUPLER  | 01/06/2009- |
| 008  | 031 | 36E0600 | FOOT SUPPORT 2"  | 01/06/2009- |