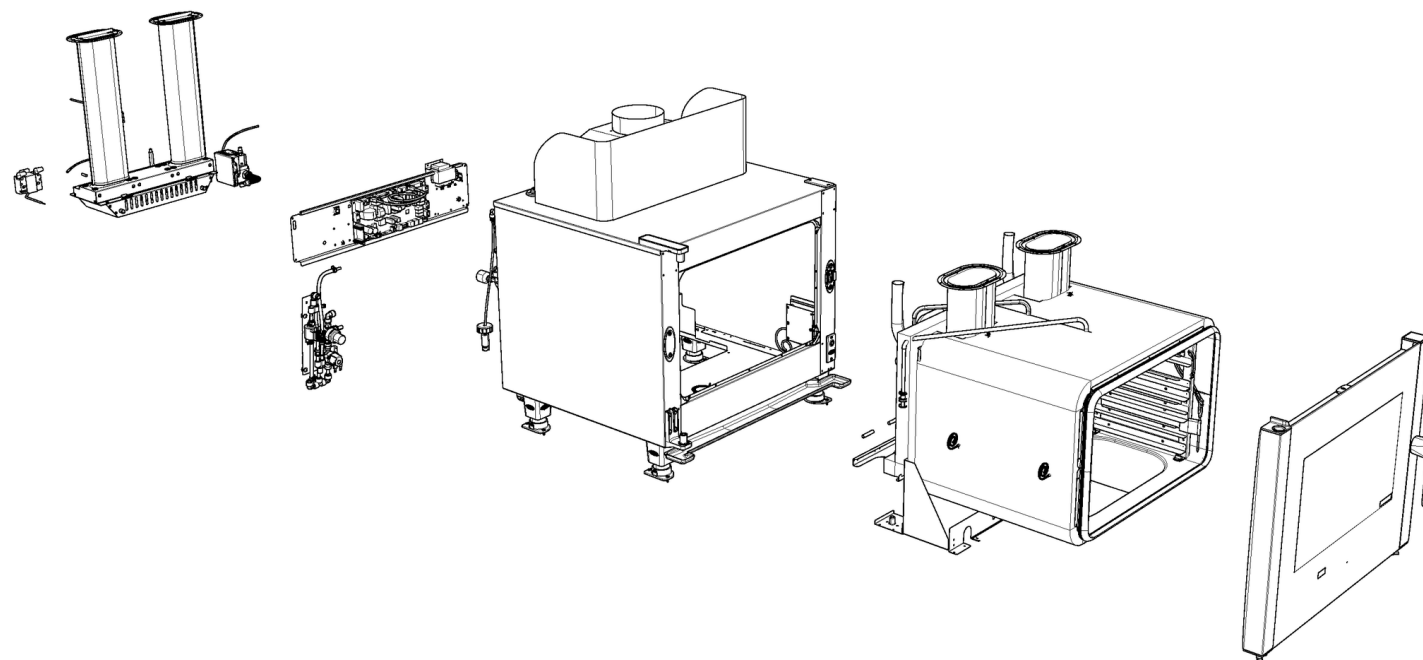


MOD:XVC315EG

Зип.Общепит
vsezip.ru



+7(812)987-08-81

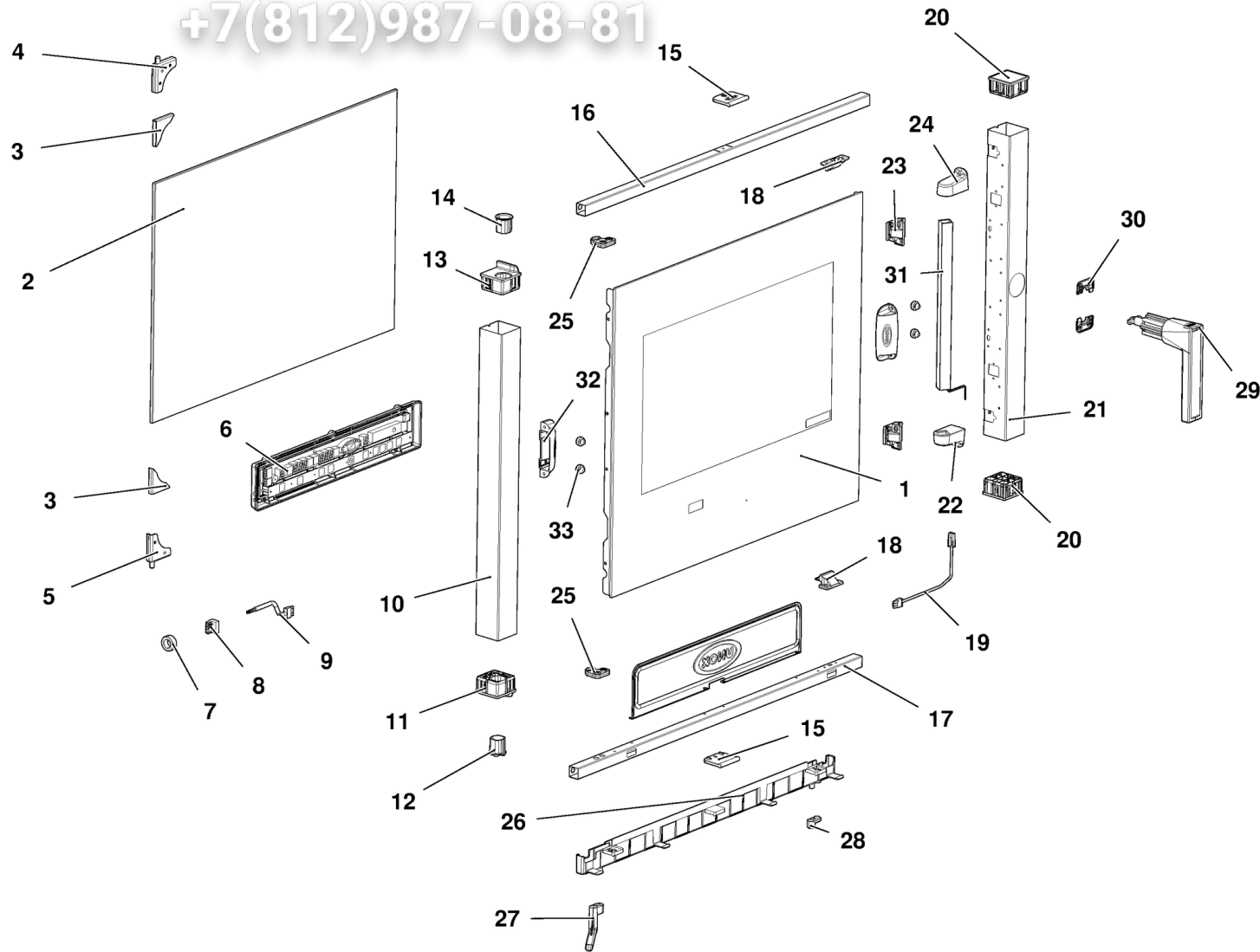


MOD:XVC315EG

Зип.Общепит
vsezip.ru



+7(812)987-08-81

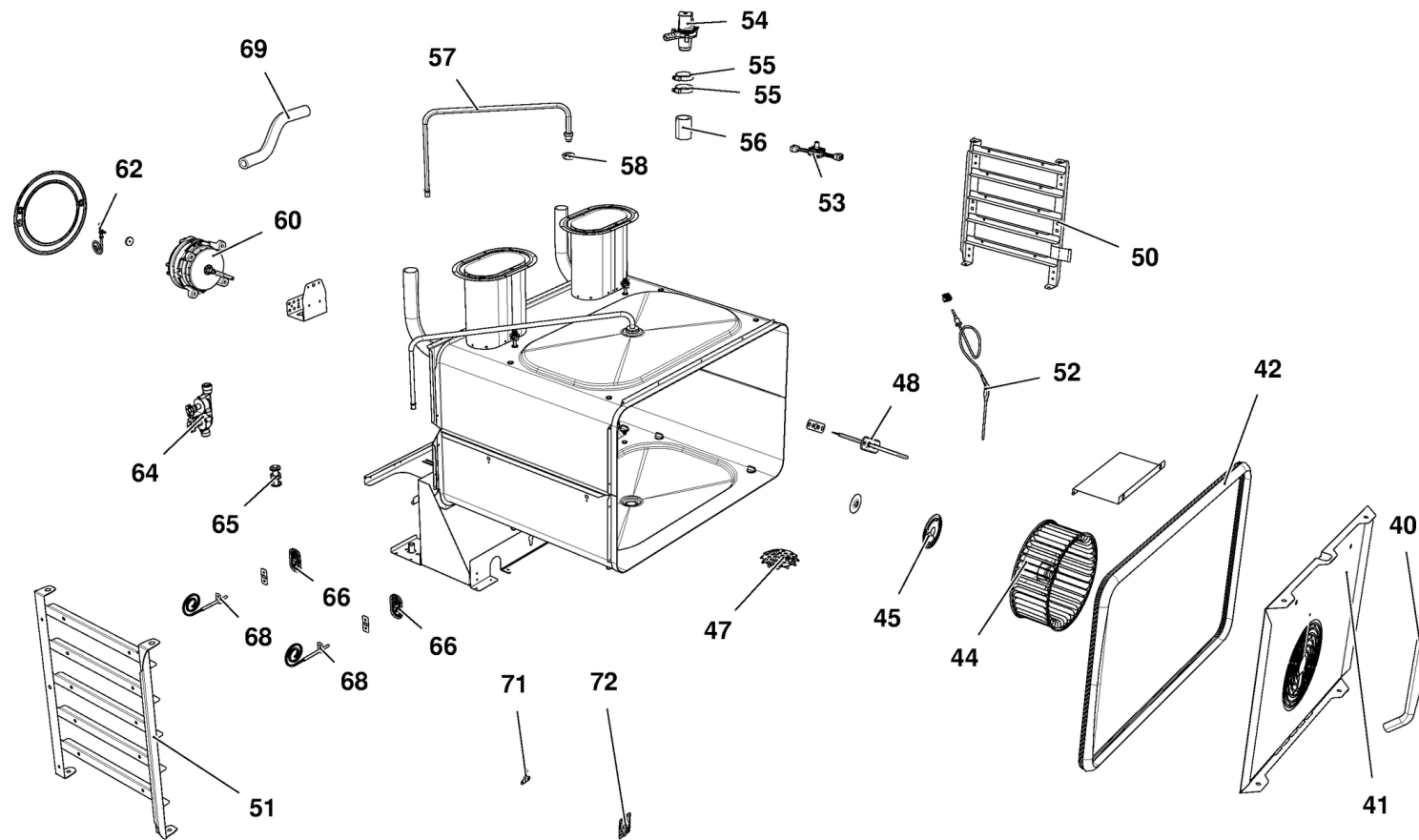


MOD:XVC315EG

Зип.Общепит
vsezip.ru



+7(812)987-08-81

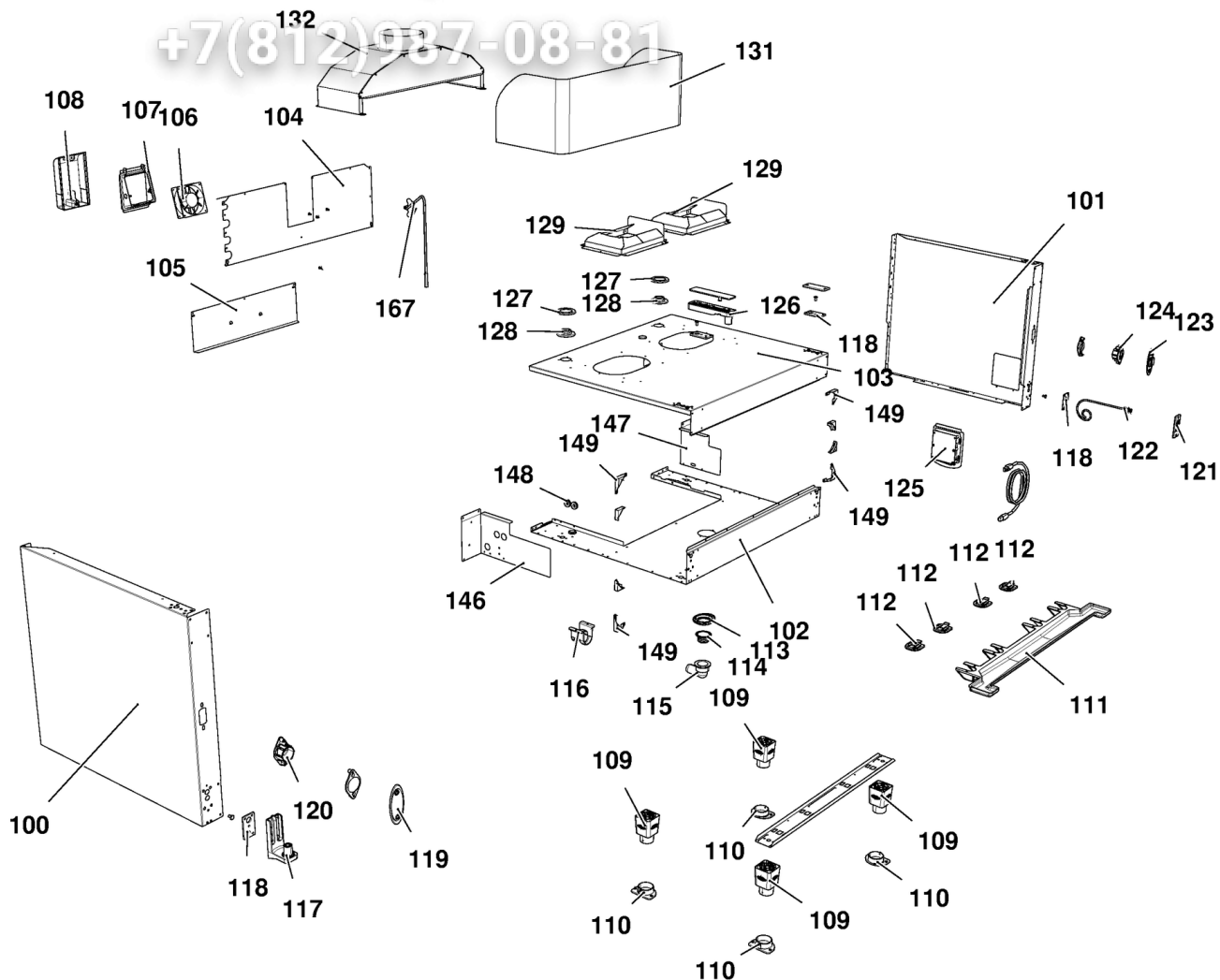


MOD:XVC315EG

Зип.Общепит
vsezip.ru



+7(812)937-08-81

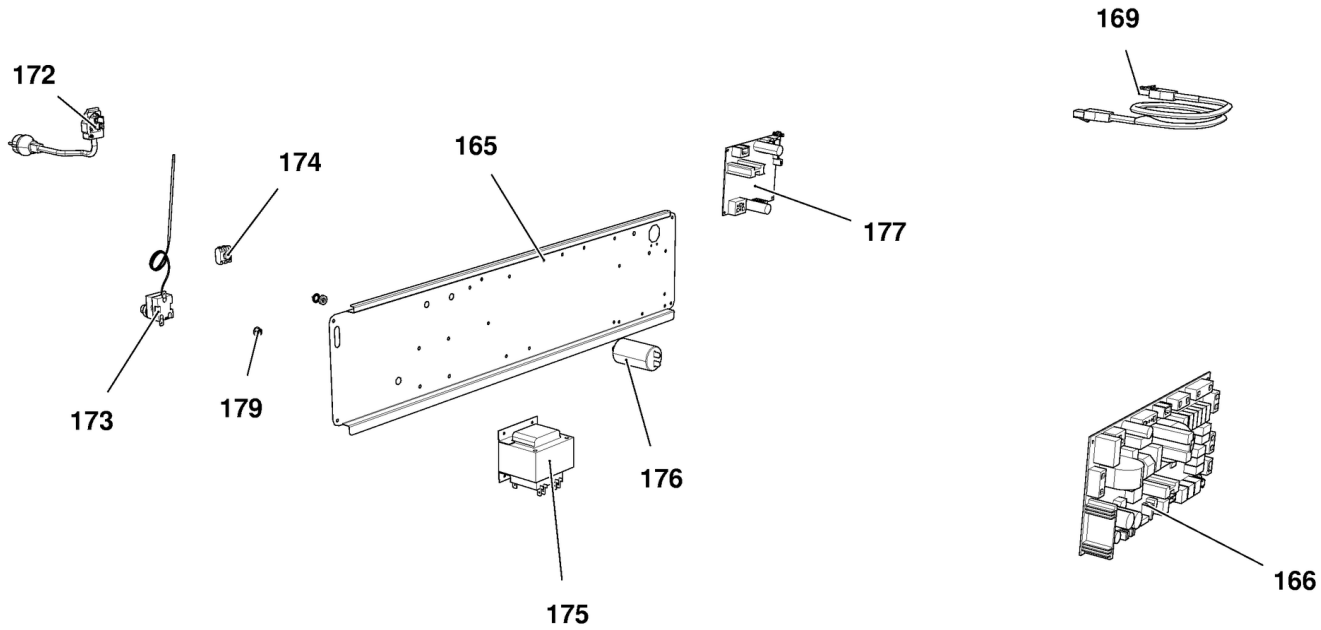


MOD:XVC315EG

Зип.Общепит
vsezip.ru



+7(812)987-08-81

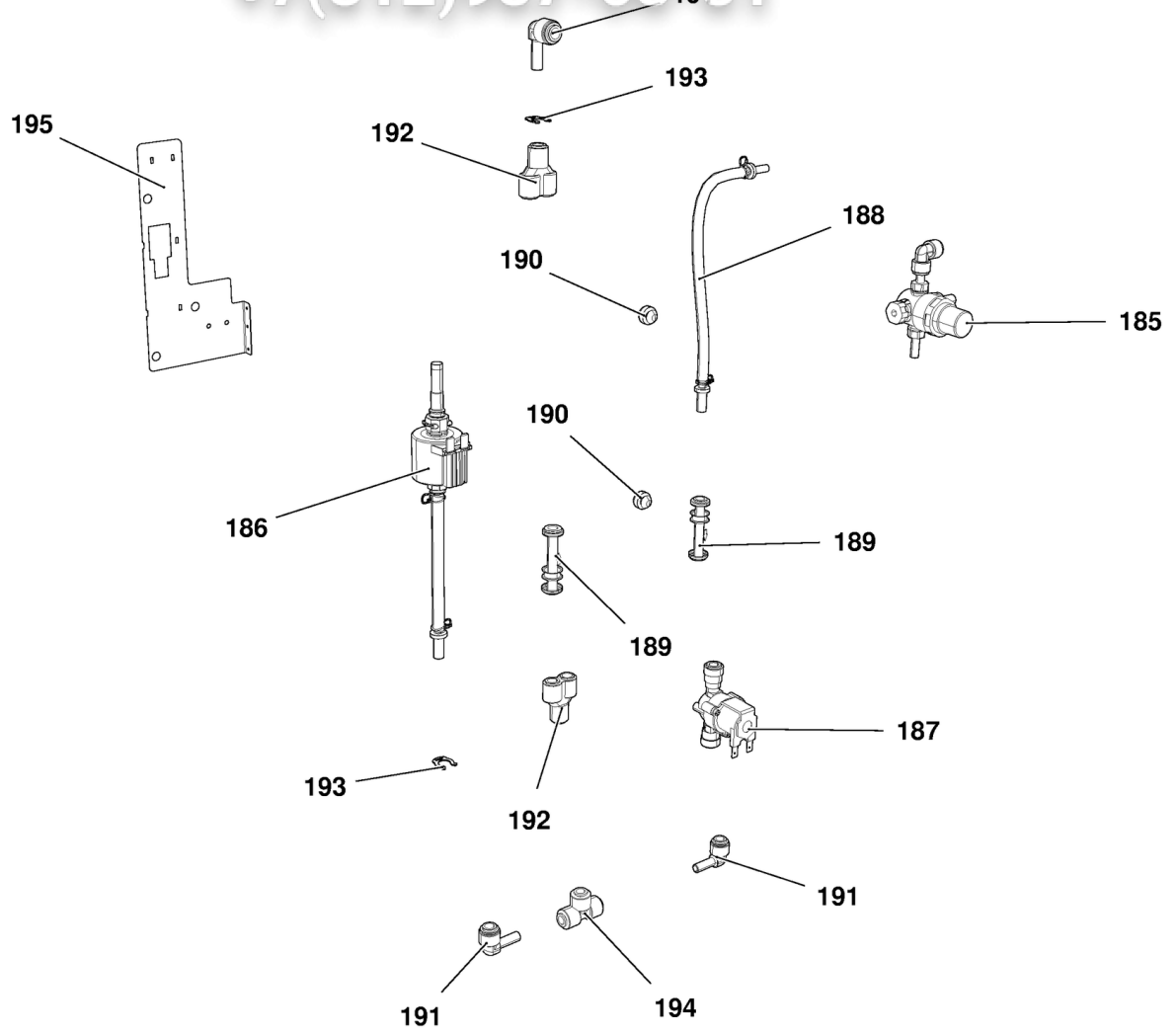


MOD:XVC315EG

Зип.Общепит
vsezip.ru



+7(812)987-08-81

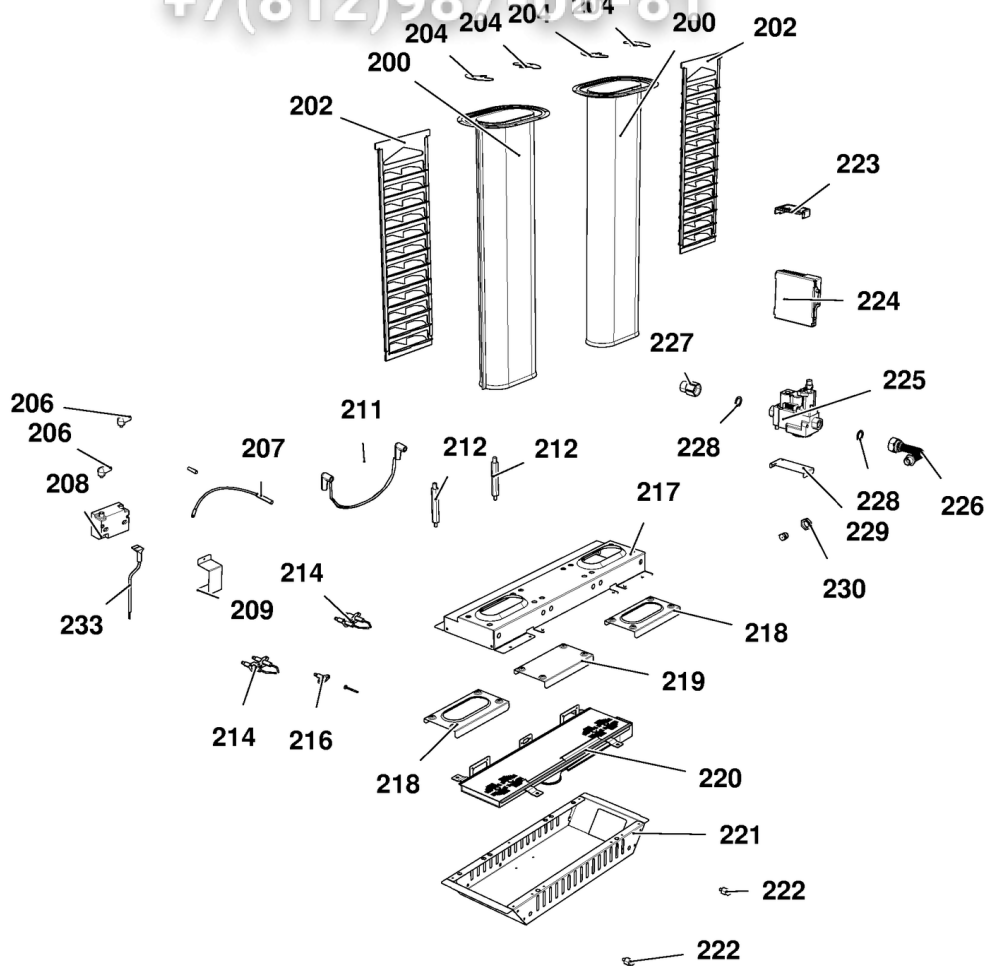


MOD:XVC315EG

Зип.Общепит
vsezip.ru



+7(812)987-08-81



MOD:XVC315EG

Zip. Общепит
vsezip.ru
+7(812)987-08-81



IT

Descrizione codici

| | | |
|----|---------|-----------------------------------|
| 1 | VT1251A | VETRO EST. XVC305 NERO ENGEFOOD |
| 2 | VT1095A | VETRO INTERNO 633X432X6 BETFL XVC |
| 3 | GN1181A | GUARNIZIONE CERN VETRO INT CR1085 |
| 4 | CR1085A | CERNIERA VETRO INT INOX SUP |
| 5 | CR1086A | CERNIERA VETRO INT INOX INF |
| 6 | PE1740C | SCHEDA CONTROLLO PE1705 CT BT |
| 7 | CE1285A | FERRITE EMI ROUND MOD. 2643801502 |
| 8 | CE1290A | MORSETTO FEMMINA ESTRAIBILE CPF 5 |
| 9 | CE1275A | CAVO COLLEGAMENTO POTENZA CONTROL |
| 10 | TB1186A | COLONNINA SX XVC305 XBC405 50x50x |
| 11 | VM1171B | TAPPO FULCRO INF. PORTA XVC204/30 |
| 12 | VM1510A | BOCCOLA SCANALATA PERNO PORTA XBC |
| 13 | VM1170B | TAPPO FULCRO SUP. PORTA XVC204/30 |
| 14 | VM1511A | BOCCOLA LISCIA PERNO PORTA CHEFFT |
| 15 | VM2031A | PREMIVETRO ESTERNO |
| 16 | TB2325A | LISTELLO SUP. XVC305E/505E/705E 2 |
| 17 | TB2326A | LISTELLO INF. XVC305E/505E/705E 2 |
| 18 | VM2043A | SUPPORTO VETRO SUP - INF |
| 19 | CE1665A | CAVO ALIMENTAZIONE BARRA LED 1 MT |
| 20 | VM1175A | TAPPO ESTETICO COLONNINA PORTA |
| 21 | TB2314A | COLONNINA DX XVC305E-XBC405E 50x5 |
| 22 | VM1620A | SUPPORTO INF BARRA LED |
| 23 | VM2042A | ASSIEME CHIUSURA VETRO INTERNO LA |
| 24 | VM1621A | SUPPORTO SUP BARRA LED |
| 25 | VM1680A | CERNIERA APERTURA VETRO INTERNO |
| 26 | VM1616A | PROFILO SALVAGOCIA 300/500/700 |
| 27 | VM2014A | TUBO PER PROFILO RACCOGLI GOCCE S |
| 28 | VM2044A | TAPPO PER PROFILO RACCOGLI GOCCE |
| 29 | VM1180B | IMPUGNATURA MANIGLIA CT BT |
| 30 | VM1490A | COPRI VITI MANIGLIA CHEFTOP BAKER |
| 31 | LP1001B | BARRA ILLUMINAZIONE LED L300 |

| | | |
|-----|----------|-----------------------------------|
| 32 | VM1591A | STAFFA SPING VETRO INTERNO XVC110 |
| 33 | VM1630A | TAPPO PREMI VETRO INTERNO |
| 40 | TB1356B | TUBO INTERNO UMIDITA' CENT. XVC31 |
| 41 | OG1415B | CARTER ARIA XVC315EG |
| 42 | GN1389B | GN1000B-GUARNIZIONE PORTA XVC304- |
| 44 | VN1030A | VENTOLA D196 H81 39 PALE DADO M8 |
| 45 | OH4305A | DISCO TENUTA ALBERO MOTORE INOX S |
| 47 | OH2551A | TAPPO PER TUBO DI SCARICO LIQUIDI |
| 48 | RS1215A | RES. PIANA 147W 105V D230 1 SPIRA |
| 50 | GRL1220A | SUPPORTO LATERALE DX INOX 5TG GN1 |
| 51 | GRL1221A | SUPPORTO LATERALE SX INOX 5TG GN1 |
| 52 | SN1000A | SONDA AL CUORE MULTIPUNTO L=1550 |
| 53 | VM1955A | CORPO GIRANTE LAVAGGIO |
| 54 | VE1135A | ATTUATORE VENTURI 220V 50/60 Hz S |
| 55 | RC1378A | FASCETTA STRINGI TUBO ZINCATA |
| 56 | TB1956A | TB1520A-TUBO NERO EPDM L=50 |
| 57 | TB1515A | TUBO EST. UMIDITA' + RC1165A0 |
| 58 | RC1170A | DADO M14 H=8 CH=22 INOX |
| 60 | VN1130A | MOTORE FORNO 330W 230V 50/60HZ |
| 62 | PE1710A | SENSORE NUMERO GIRI MOTORE |
| 64 | EL1361A | ELETTROVALVOLA TRI-STADIO JG D8-D |
| 65 | EL1055A | RIDUZIONE INTERMEDIA D10-D8 |
| 66 | VM1465A | COPERCHIO Sonda TEMPERATURA CHEFT |
| 68 | TR1105A | SONDA TEMPERATURA PT100 L=1000 |
| 69 | TB1921A | TUBO SILICONE VENTURI D25 XVC305 |
| 71 | GN1531A | GUARNIZIONE TENUTA INGRESSO BULBO |
| 72 | OH7030A | COPERCHIO INGRESSO BULBO |
| 100 | OD2176A | FIANCO SX XVC305E |
| 101 | OD2177A | FIANCO DX XVC305E |
| 102 | OE1322A | FONDO EST. GAS CT GN1/1 S.5E |
| 103 | OD2191A | COPERCHIO XVC GAS GN1/1 S.5E |

| | | |
|-----|---------|-----------------------------------|
| 104 | OF1440A | SCHIENA XVC315EG |
| 105 | OH5114A | LAMIERA COPERTURA BRUCIATORE CT-G |
| 106 | VN1163A | VENTOLA RAFFREDDAMENTO 230V |
| 107 | VM1555A | SUPPORTO VENTOLA RAFFREDDAMENTO C |
| 108 | VM1556A | PROTEZIONE VENTOLA RAFFREDDAMENTO |
| 109 | PD1060A | PARTE FISSA PIEDE CT BT |
| 110 | PD1063A | STAFFA BLOCCAGGIO PIEDE CT BT |
| 111 | VM1991A | CASSETTO RACCOGLI GOCCE 750 |
| 112 | VM2074A | CLIP CON VITE PER SUPPORTO CASSET |
| 113 | VM2039A | ANELLO FISSAGGIO CURVA DI SCARICO |
| 114 | GN1400A | GUARNIZIONE SIFONE |
| 115 | VL1026A | CURVA PER TUBO DI SCARICO |
| 116 | VM2035A | SUPPORTO PER TUBO DI SCARICO |
| 117 | VM1160B | STAFFA INFERIORE PORTA CT BT |
| 118 | OH2560A | CONTROSTAFFA ZINCATA PORTA C.T. |
| 119 | VM1461A | COPERCHIO SX SCROCCO PORTA XBC/XV |
| 120 | VM1191A | SCROCCO MANIGLIA SX CT BT |
| 121 | VM1201A | PIASTRINA SUPPORTO MICROPORTA MAG |
| 122 | VE1020A | MICROINTERRUTTORE PORTA MAGNETICO |
| 123 | VM1460A | COPERCHIO DX SCROCCO PORTA XBC/XV |
| 124 | VM1190A | SCROCCO MANIGLIA DX CT BT |
| 125 | PE1971B | ASM SCHEDA UNOX.LINK MODBUS RJ45+ |
| 126 | VM1165B | STAFFA SUPERIORE PORTA CT BT |
| 127 | OH3790A | LAMIERA TENUTA CAMINO |
| 128 | GN1275A | GUARNIZIONE CAMINO SILICONE NERO |
| 129 | ON1379A | LAMIERA LATERALE CANNE IPX |
| 131 | ON1210A | COPERTURA ESTETICA INTER. TIRAG. |
| 132 | ON1355A | CORPO INTERRUPTORE TIRAGGIO FUMI |
| 146 | OH6506A | LAMIERA COP ACCENDITORE XVC GAS G |
| 147 | OH3960A | LAMIERA COPERTURA Elett. GAS INOX |
| 148 | GN1311A | PASSACAVO GOMMA DE=25 DI=12 SP=6. |

| | | |
|-----|---------|-----------------------------------|
| 149 | OH1450A | ANGOLO FACCIATA MUFFOLA INOX XB-X |
| 150 | TB2235A | ROCCETTO DETERGENTE TUBO Ø8 |
| 167 | TR1109A | SONDA TEMPERATURA TC K L2000 COMP |
| 165 | OP1008B | PORTACOMPONENTI XVC GAS CT S.5E |
| 166 | PE1725E | SCHEDA POTENZA FORNI CT-BT S5.E |
| 169 | CE1400A | CAVO RJ45 - RJ45 L=0,5MT |
| 172 | MR1000A | CAVO 3X1,5 H07RN-F MT1,5+K2/3+SCH |
| 173 | TR1136A | TERMOSTATO SIC. UNIP. 330°C |
| 174 | VM1750A | MORSETTIERA A PETTINE |
| 175 | VE1026A | TRASFORMATORE 230-21-12Vac 90VA |
| 176 | CN1003A | CONDENSATORE CORAZZATO 6,3 uF |
| 177 | PE1730C | SCHEDA GESTIONE CENTRALINA GAS CT |
| 179 | VM1840A | TAPPO NYLON NERO DIAM. 9,5 MM |
| 185 | VL1014A | RIDUTTORE DI PRESSIONE CON DISTRI |
| 186 | VL1038A | POMPA VIBRAZIONE |
| 187 | EL1411A | ELETTROVALVOLA H2O CON CHECK VALV |
| 188 | TB2403A | TUBO PVC Ø9X6 L 250 MM |
| 189 | EL1180A | RACCORDO NON RITORNO Ø8 Ø8 FEMMIN |
| 190 | VM1630A | TAPPO PREMI VETRO INTERNO |
| 191 | EL1195B | RACCORDO GOMITO D8F-D8M |
| 192 | EL1115B | RACCORDO Y D8 |
| 193 | EL1345A | CLIP BLOCCA PINZETTA RACCORDI Ø8 |
| 194 | EL1020A | RACCORDO INTERMEDIO "T" TUBO Ø8 |
| 195 | OH6413A | SUPPORTO IMPIANTO IDRICO |
| 200 | ON1150A | CANNA SCAMBIATORE XVC314G |
| 200 | ON1150A | CANNA SCAMBIATORE XVC314G |
| 202 | ON1155A | TURBOLATORE XVC314G |
| 202 | ON1155A | TURBOLATORE XVC314G |
| 204 | ON1135A | FORCHETTA PER TURBOLATORI GAS |
| 206 | CE1777A | CAVO FIDA ACCENSIONE HV L=650 |
| 206 | CE1777A | CAVO FIDA ACCENSIONE HV L=650 |

| | | |
|-----|---------|-----------------------------------|
| 207 | CE1792A | CAVO CANDELA RILEVAZIONE FIAMMA |
| 208 | VE1625A | ACCENDITORE SSE |
| 209 | OH5126A | OMEGA FISSAGGIO ACCENDITORE |
| 211 | CE1782A | CAVO FIDA PONTE HV L=300 |
| 212 | TF1040A | COLONNINA FISSAGGIO BRUCIATORE XV |
| 214 | BR1310A | CANDELA DOPPIA ACCENSIONE XVC-XBC |
| 214 | BR1310A | CANDELA DOPPIA ACCENSIONE XVC-XBC |
| 216 | BR1230A | CANDELA DI RILEVAZIONE ACCENSIONE |
| 217 | ON1310A | SCATOLA SUP. BRUCIATORE ATM V2 |
| 218 | ON1190A | SCUDO INTERNO XVC314/514/714 |
| 219 | ON1195A | SCUDO INTERMEDIO XVC314/514/714 G |
| 220 | BR1305A | ASS. BRUCIATORE ATM XVC/XBC 5 CAN |
| 221 | ON1185A | SCATOLA INFERIORE XVC314/514/714G |
| 222 | TF1045A | PERNO SOSTEGNO ANTERIORE BRUCIATO |
| 223 | VE1060A | COPERCHIO PER VE1055A0 |
| 224 | VE1055A | CONTROLLO FIAMMA HLL 220-240V 5 S |
| 225 | EL1400C | ELETTROVALVOLA MODULANTE GAS HONE |
| 226 | RC1325A | RACCORDO FLESS.LE GAS 3/8 EST-M13 |
| 227 | RC1045A | RACC DRITTO OTT FIL 3/4GAS FEMM. |
| 228 | VI1130A | RONDELLA ALL.24x18x1,5 TENUTA GAS |
| 229 | OH6501A | SUPPORTO VALVOLA GAS SERIE E |
| 230 | VI1140A | DADO 3/8" GAS FEMM 22x7 OTTONE OT |
| 233 | CE1811A | CAVO ALIMENTAZIONE ACCENDITORE |

MOD:XVC315EG

Zip.Общепит
vsezip.ru
+7(812)987-08-81



EN

Codes descriptions

| | | |
|----|---------|-----------------------------------|
| 1 | VT1251A | Oven Doors 647x555 4 clear 3Print |
| 2 | VT1095A | INNER GLASS 633X432X6 BETFL XVC30 |
| 3 | GN1181A | INTERNAL GLASS HINGE SEAL |
| 4 | CR1085A | INTERNAL GLASS UPPER HINGE |
| 5 | CR1086A | INTERNAL GLASS LOWER HINGE |
| 6 | PE1740C | CT BT CONTROL BOARD PE1705 + BOAR |
| 7 | CE1285A | EMI ROUND FERRITE MOD.2643801502 |
| 8 | CE1290A | EXTRACTABLE FEMALE TERMINAL CPF 5 |
| 9 | CE1275A | CONNECTION CABLE POWER - CONTROL |
| 10 | TB1186A | XVC305 XBC405 ST. ST. LEFT DOOR C |
| 11 | VM1171B | DOOR LOWER FULCRUM CAP |
| 12 | VM1510A | XBC/XVC GROOVED DOOR PIN BUSHING |
| 13 | VM1170B | UPPER DOOR FULCRUM CAP |
| 14 | VM1511A | XBC/XVC SLEEK DOOR PIN BUSHING |
| 15 | VM2031A | EXTERNAL GLASS PUSHING PLATE |
| 16 | TB2325A | XVC305E/505E/705E UPPER LISTEL 20 |
| 17 | TB2326A | XVC305E/505E/705E LOWER LISTEL 20 |
| 18 | VM2043A | UPPER - LOWER GLASS SUPPORT |
| 19 | CE1665A | LED POWER SUPPLY 1 M CABLE |
| 20 | VM1175A | DOOR COLUMN BLANKING CAP |
| 21 | TB2314A | XVC305E-XBC405E 50x50x1.2 RIGHT C |
| 22 | VM1620A | LED BAR LOWER SUPPORT |
| 23 | VM2042A | INTERNAL GLASS LATERAL LOCKING SY |
| 24 | VM1621A | LED BAR UPPER SUPPORT |
| 25 | VM1680A | INTERNAL GLASS HINGE |
| 26 | VM1616A | 300/500/700 E SERIES DRIP PROFILE |
| 27 | VM2014A | LEFT DRIP PROFILE PIPE |
| 28 | VM2044A | DRIP PROFILE CAP |
| 29 | VM1180B | ChefTop/BakerTop HANDLE HAFT |
| 30 | VM1490A | CHEFTOP/BAKERTOP HANDLE SCREWS CO |
| 31 | LP1001B | LED LIGHTING BAR L300 |

| | | |
|-----|----------|-----------------------------------|
| 32 | VM1591A | GLASS BRACK. T INT. XVC1004 |
| 33 | VM1630A | INTERNAL GLASS PUSHING CAP |
| 40 | TB1356B | XVC315 INTERNAL CENTRAL WATER PIP |
| 41 | OG1415B | XVC315EG FAN GUARD |
| 42 | GN1389B | GN1000B - XVC304/305 DOOR SEAL |
| 44 | VN1030A | MOTOR FAN D196 H81 39 BLADE NUT M |
| 45 | OH4305A | ST. STEEL MOTOR SHAFT SEALING DIS |
| 47 | OH2551A | XBC/XVC ST.STEEL DRAIN COVER |
| 48 | RS1215A | 147W 105V D230 1 TURN FLAT ELEMEN |
| 50 | GRL1220A | 5 GN1/1 ST. STEEL RIGHT LATERAL S |
| 51 | GRL1221A | 5 GN1/1 ST. STEEL LEFT LATERAL SU |
| 52 | SN1000A | MULTI.Point CORE PROBE L=1550 |
| 53 | VM1955A | WASHING SYSTEM ROTOR |
| 54 | VE1135A | VENTURI ACTUATOR 220 V 50/60 Hz S |
| 55 | RC1378A | HOSE CLAMP |
| 56 | TB1956A | TB1520A - EPDM BLACK PIPE L=50 |
| 57 | TB1515A | EXTERNAL WATER PIPE + RC1165A0 |
| 58 | RC1170A | STAINLESS STEEL NUT M14 H=8 CH=22 |
| 60 | VN1130A | 330W 230V 50/60HZ MOTOR |
| 62 | PE1710A | MOTOR REVOLUTIONS SENSOR |
| 64 | EL1361A | J.G. THREE-STAGE SOLENOID VALVE D |
| 65 | EL1055A | INTERMEDIATE REDUCTION FROM D=10 |
| 66 | VM1465A | CHEFTOP TEMPERATURE PROBE COVER |
| 68 | TR1105A | TEMPERATURE PROBE PT100 L=1000 |
| 69 | TB1921A | XVC305 VENTURI SILICON PIPE D25 |
| 71 | GN1531A | PROBE SEALING |
| 72 | OH7030A | INLET COVER BULB |
| 100 | OD2176A | XVC305E EXTERNAL LEFT SIDE |
| 101 | OD2177A | XVC305E RIGHT SIDE |
| 102 | OE1322A | S.5E GN1/1 GAS CHEFTOP EXT. BOTTO |
| 103 | OD2191A | S.5E GN1/1 GAS CHEFTOP EXT. COVER |

| | | |
|-----|---------|-----------------------------------|
| 104 | OF1440A | XVC315EG EXTERNAL BACK PANEL |
| 105 | OH5114A | CHEFTOP GAS BURNER COVER |
| 106 | VN1163A | COOLING FAN 230V |
| 107 | VM1555A | CT BT COOLING DOWN FAN SUPPORT |
| 108 | VM1556A | XBC-XVC COOLING FAN GUARD |
| 109 | PD1060A | CT BT FOOT FIX COMPONENT |
| 110 | PD1063A | CT BT FOOT STOP BRACKET |
| 111 | VM1991A | CHEFTOP E SERIES DRIP TRAY |
| 112 | VM2074A | C.T. DRIP TRAY FIXING CLIP WITH S |
| 113 | VM2039A | DRAIN BEND FIXING RING |
| 114 | GN1400A | U-TRAP SEAL |
| 115 | VL1026A | BEND FOR DRAIN PIPE |
| 116 | VM2035A | DRAIN PIPE SUPPORT |
| 117 | VM1160B | CT BT DOOR LOWER BRACKET |
| 118 | OH2560A | XBC/XVC ZINC PLAT. DOOR COUNTERBR |
| 119 | VM1461A | XBC/XVC LEFT DOOR LATCH CAP |
| 120 | VM1191A | CT BT LEFT DOOR SPRING LATCH |
| 121 | VM1201A | MAGNETIC SUPPORT PLATE FOR DOOR M |
| 122 | VE1020A | MAGNETIC DOOR MICROSWITCH |
| 123 | VM1460A | XBC/XVC RIGHT DOOR LATCH CAP |
| 124 | VM1190A | CT BT RIGHT DOOR SPRING LATCH |
| 125 | PE1971B | UNOX.LINK MODBUS RJ45+USB |
| 126 | VM1165B | CT BT DOOR UPPER BRACKET |
| 127 | OH3790A | CHIMNEY HOLDING PLATE |
| 128 | GN1275A | XBC/XVC BLACK CHIMNEY SEALING |
| 129 | ON1379A | HEAT EXCHANGER LATERAL PANEL |
| 131 | ON1210A | XVC GAS DRAFT STOPPER EXTERNAL CO |
| 132 | ON1355A | GAS DRAFT STOPPER CASING |
| 146 | OH6506A | E SERIES GN1/1 XVC GAS LIGHTER CO |
| 147 | OH3960A | GAS VALVE COVER |
| 148 | GN1311A | RUBBER CABLE-PASSING De=25 Dj=12 |

| | | |
|-----|---------|-----------------------------------|
| 149 | OH1450A | XB-XV-XG ST. STEEL MUFFLE FRONT C |
| 150 | TB2235A | Ø8 DETERGENT PIPE COIL |
| 167 | TR1109A | TC K L2000 TEMPERATURE PROBE-US V |
| 165 | OP1008B | |
| 166 | PE1725E | E SERIES CHEFTOP-BAKERTOP POWER C |
| 169 | CE1400A | RJ45 - RJ45 CABLE L=0,5MT |
| 172 | MR1000A | CABLE 3X1,5 H07RN-F MT1,5+K2/3+S |
| 173 | TR1136A | SAFETY THERMOSTAT UNIP. 330°C |
| 174 | VM1750A | TERMINAL BOARD |
| 175 | VE1026A | TRANSFORMER 230-21-12Vac 80VA |
| 176 | CN1003A | CONDENSER6,3 UF |
| 177 | PE1730C | CT-BT GAS CONTROL BOARD |
| 179 | VM1840A | BLACK NYLON CAP DIAM. 9,5mm |
| 185 | VL1014A | PRESSURE REDUCER WITH DISTRIBUTOR |
| 186 | VL1038A | VIBRATION PUMP |
| 187 | EL1411A | SOLENOID VALVE WITH CHECK VALVE |
| 188 | TB2403A | Ø9X6 L 250 MM PVC PIPE |
| 189 | EL1180A | Ø8 Ø8 FEMALE NON-RETURN CONNECTIO |
| 190 | VM1630A | INTERNAL GLASS PUSHING CAP |
| 191 | EL1195B | D8F-D8M ELBOW CONNECTION |
| 192 | EL1115B | Y D8 CONNECTION |
| 193 | EL1345A | CLIP TO FIX Ø08 mm CONNECTION JOI |
| 194 | EL1020A | INTERMEDIATE "T" CONNECTION Ø8 |
| 195 | OH6413A | WATER SYSTEM SUPPORT |
| 200 | ON1150A | XVC314/5G ST. ST. HEAT EXCHANGER |
| 200 | ON1150A | XVC314/5G ST. ST. HEAT EXCHANGER |
| 202 | ON1155A | XVC314/315G BAFFLE |
| 202 | ON1155A | XVC314/315G BAFFLE |
| 204 | ON1135A | GAS BUFFLE FORK |
| 206 | CE1777A | HV L=650 STARTER FIDA CABLE |
| 206 | CE1777A | HV L=650 STARTER FIDA CABLE |

| | | |
|-----|---------|-----------------------------------|
| 207 | CE1792A | FLAME DETECTOR CANDLE CABLE |
| 208 | VE1625A | 5E SERIES GAS LIGHTER |
| 209 | OH5126A | LIGHTER FIXING OMEGA |
| 211 | CE1782A | HV L=300 BRIDGE FIDA CABLE |
| 212 | TF1040A | XVC/XBC BURNER FIXING COLUMN |
| 214 | BR1310A | XBC-XVC DOUBLE START UP CANDLE |
| 214 | BR1310A | XBC-XVC DOUBLE START UP CANDLE |
| 216 | BR1230A | START UP SENSOR CANDLE |
| 217 | ON1310A | UPPER BOX FOR ATM V2 BURNER |
| 218 | ON1190A | XBC-XVC INTERNAL BURNER GUARD |
| 219 | ON1195A | XBC-XVC MID BURNER GUARD |
| 220 | BR1305A | XVC/XBC 5 CANDLES BURNER |
| 221 | ON1185A | XVC315/515/715G ST. ST. LOWER BOX |
| 222 | TF1045A | FRONT BURNER RESTING PIN |
| 223 | VE1060A | COVER FOR VE1055A0 |
| 224 | VE1055A | HLL 220-240V 5 SEC FLAME CONTROL |
| 225 | EL1400C | |
| 226 | RC1325A | FLEXIBLE GAS JOINT 3/8 EST-M13X1 |
| 227 | RC1045A | 3/4 FEMALE-3/4 STRAIGHT GAS CONNE |
| 228 | VI1130A | ALUMINIUM BUSHING 24x18x1,5 TO HO |
| 229 | OH6501A | E SERIES GAS VALVE SUPPORT |
| 230 | VI1140A | BRASS FEMALE GAS NUT 3/8" 22x7 |
| 233 | CE1811A | LIGHTER CONNECTING CABLE |