

Зип Общепит

[vsezip.ru](http://vsezip.ru)

+7(812)987-08-81



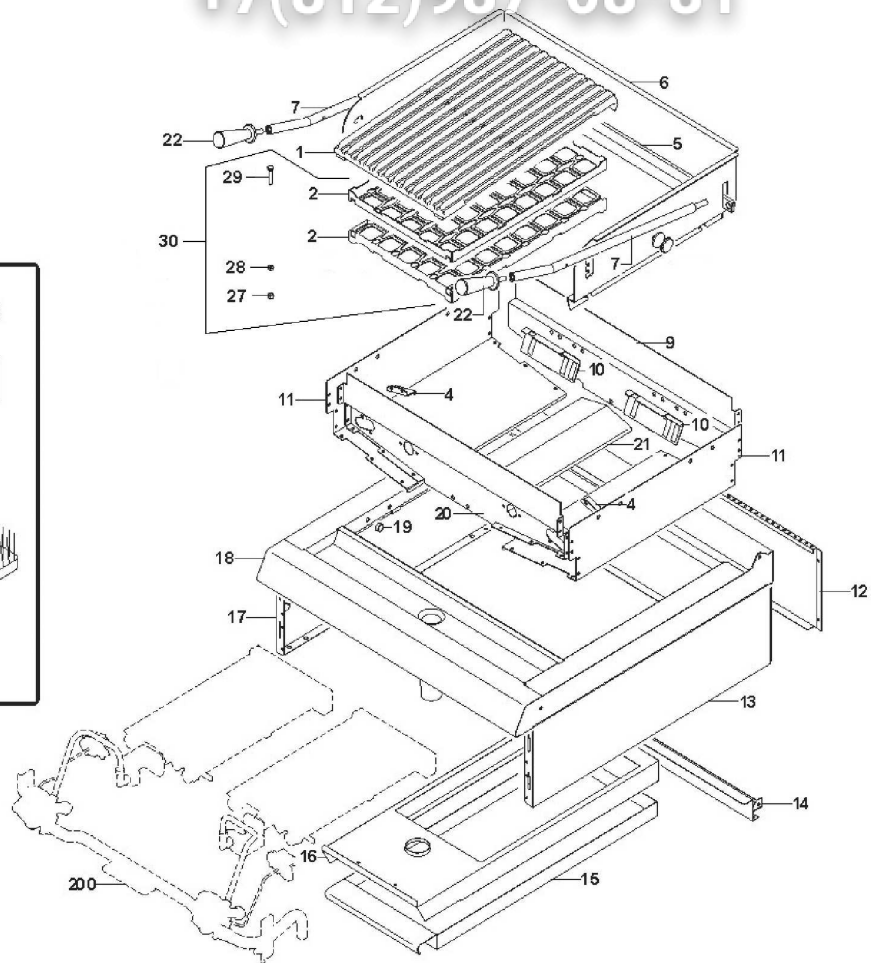
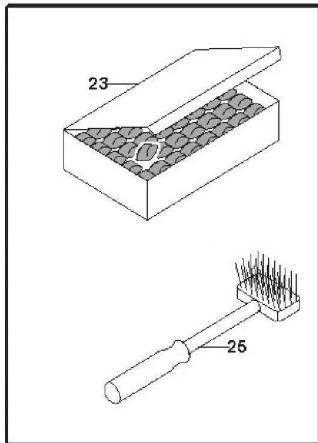
**1G0GRG**

**Edition 20130720-**

Зип Общепит

vsezip.ru

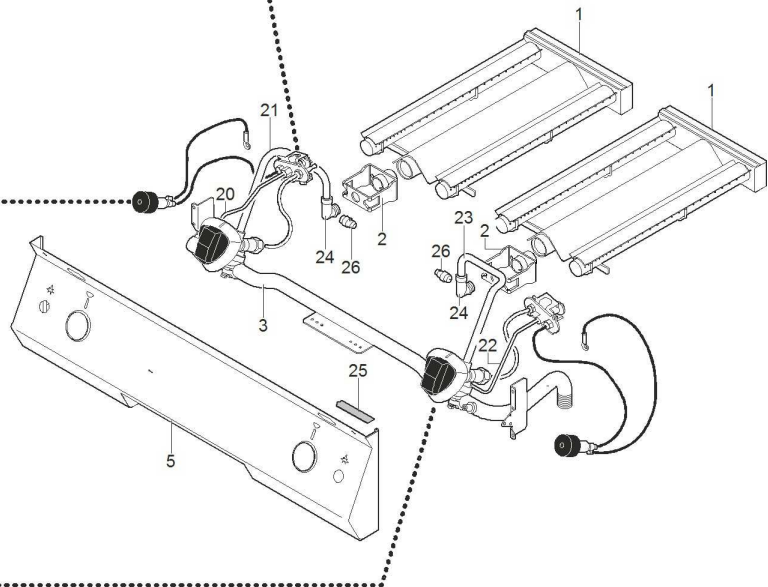
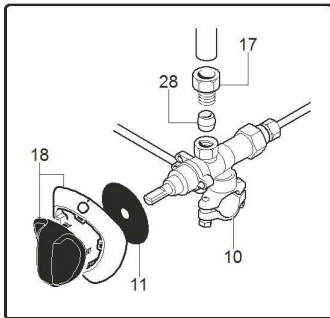
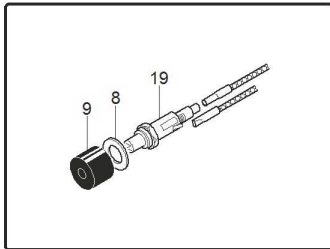
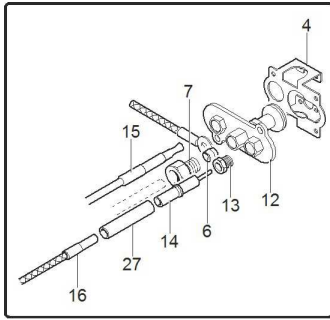
+7(812)987-08-81



Зип Общепит

vsezip.ru

+7(812)987-08-81



Page	Pos	Code	Description	Дата
002	001	3000930	GRID 470X300X55	03/12/2003-
002	002	3193150	FRAME	06/05/2011-
002	004	35R6940	"BRACKET \\\\Z\\\\""	01/06/2002-
002	005	3000880	PLATE	01/06/2002-
002	006	35P6571	GRID SPLASH PROTECTION	23/02/2010-
002	007	3000870	LIFTING ROD	01/06/2002-
002	009	35E7120	REAR HALF CHAMBER	01/06/2002-
002	010	35R6950	BURNER SUPPORT	01/06/2002-
002	011	35E7130	SIDE HALF CHAMBER	01/06/2002-
002	012	35E3370	REAR PANEL 700	01/06/2002-
002	013	35H2490	RH PANEL	01/06/2002-
002	014	35Y4830	REAR CROSS SECTION	01/06/2002-
002	015	35W5860	SPILLAGE TRAY	01/06/2002-
002	016	35Y4840	TRAY SUPPORT	01/06/2002-
002	017	35H2890	LH PANEL	01/06/2002-
002	018	30M9471	HOB ASS. Y	16/05/2011-
002	019	36G3680	BUSHING Ø 8	01/06/2002-
002	020	35E7110	FRONT HALFCHAMBER	01/06/2002-
002	021	35E7100	CENTRAL HALF CHAMBER	01/06/2002-
002	022	3000900	BALL HANDLE	01/06/2002-
002	023	37T1320	CERAMIC BRICKET BOX	01/06/2002-
002	025	36X0040	BRUSH	01/06/2002-
002	027	3110110	NUT	06/05/2011-
002	028	3112230	NUT	06/05/2011-
002	029	31A9700	SCREW M5X30	06/05/2011-
002	030	6300793	FRAME ASSEMBLY	06/05/2011-
002	200	M016320	M. UPPER CONTROL BOARD 700	01/06/2002-
003	001	34A2521	BURNER 6 KW	20/07/2013-
003	002	36E1931	BURNER BRACKET	20/06/2013-
003	003	3111360	GAS MANIFOLD ASS. Y	01/06/2007-
003	004	35E0810	SUPPORT BURNER	01/06/2002-
003	005	30A5750	CONTROL PANEL	01/06/2002-
003	006	36Q1040	BICONE Ø4	01/06/2002-
003	007	36Q1000	CLOSING BICONE NUT Ø4	01/06/2002-
003	008	3191100	WASHER Ø31 Ø18,3=2	01/06/2002-
003	009	37Q2100	HEAT. ELEM. PROTECTION	01/06/2002-
003	010	3064310	GAS CONTROL	01/06/2007-
003	011	3152250	GAS VALVE GUARD Ø 50	01/06/2002-
003	012	33A1630	PILOT BURNER BODY	01/06/2002-
003	013	36Q1050	PIEZO IGN. CONNECTOR	01/06/2002-
003	014	32T0190	IGNITION PLUG	01/06/2002-
003	015	33A0680	THERMOCOUPLE M8X1X600	01/06/2002-
003	016	32A2851	CABLE "HF" 600MM	07/10/2009-
003	017	36Q0830	BICONE NUT Ø 10	01/06/2002-
003	018	3013171	KNOB Ø8	01/03/2008-
003	019	3166990	PIEZO IGNITION	13/07/2010-
003	020	3079290	FLEXIBLE PIPE L=400	05/10/2006-
003	021	3014320	FLEXIBLE PIPE DN10	03/02/2005-
003	022	3079290	L=400 FLEXIBLE PIPE L=400	05/10/2006-
003	023	3014320	FLEXIBLE PIPE DN10 L=400	03/02/2005-
003	024	33Q5240	NOZZLE HOLDER ELBOW	01/06/2002-

Page	Pos	Code	Description	Unit
003	025	137AA04	GASKET	01/06/2002-
003	026	33A0640	PRESSURE TEST POINT	01/06/2002-
003	027	131AA46	HOSE 8'X40	01/06/2002-
003	028	36Q0080	BICONE Ø 10X6.5	01/06/2002-
003	029	32A0441	EARTH CABLE 600 MM	01/06/2002-
003	030	36Q0610	BICONE SCREW Ø10	01/06/2002-
003	031	36Q1700	BICONE Ø10Ø12X14	01/06/2002-
003	032	32Z1520	VALVE MAGNET	01/06/2002-