

MOD: XVC204

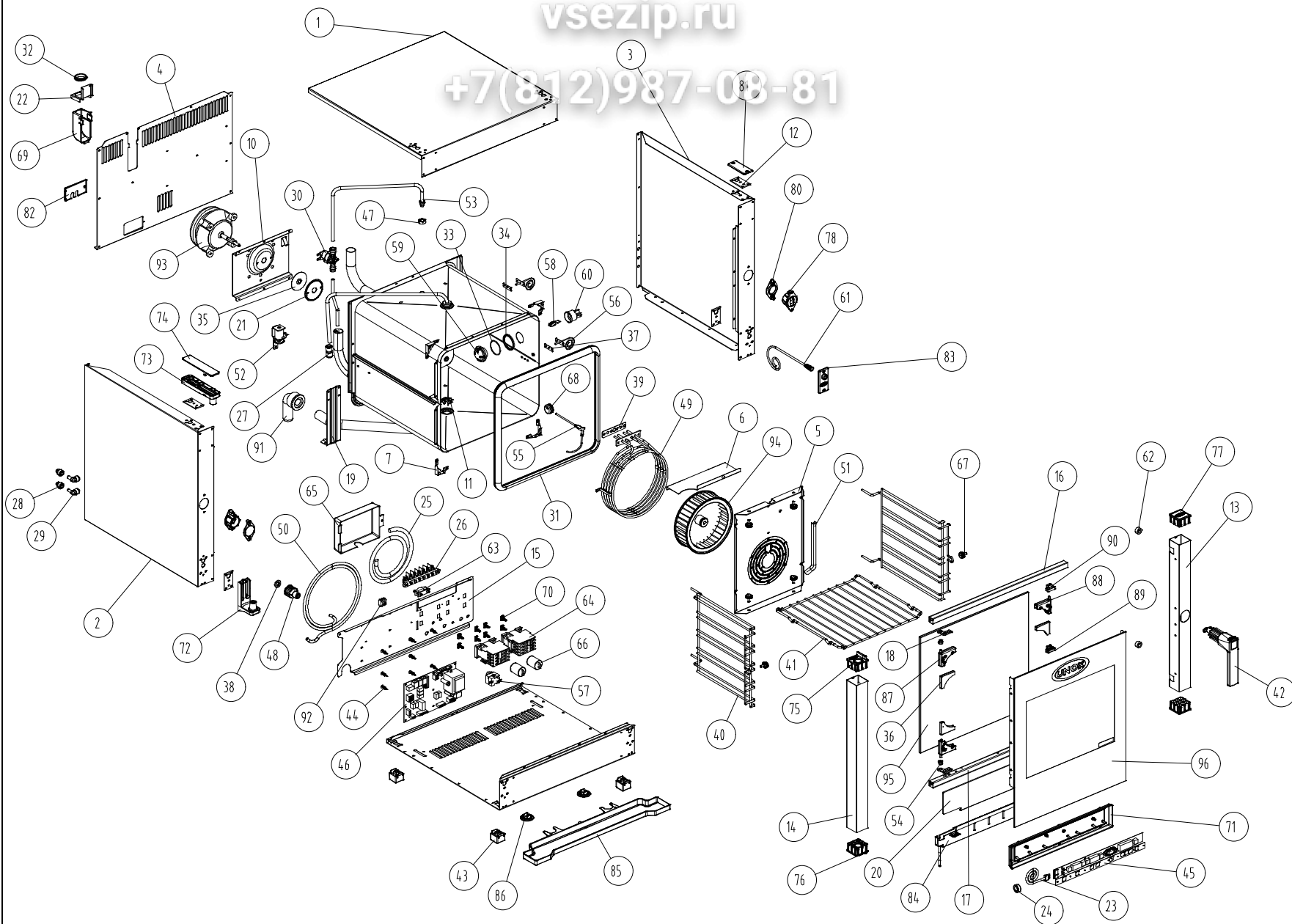
Зип Общепит

EXPLODED VIEW DISEGNO ESPLOSO



vsezip.ru

+7(812)987-08-81



LEGEND - LEGENDA

1	OD1440A0	56	TR1045A0
2	OD1545A0	57	TR255B
3	OD1546A0	58	VE1005A1
4	OF1155A0	59	VE1010A1
6	OG1185A0	60	VE1015A1
7	OH1450A0	61	VE1020A0
10	OH2015A0	62	VE1030A1
11	OH2550A0	63	VE1075A0
12	OH2560A0	64	VE1095A0
13	OH2565A0	65	VE1100A0
14	OH2566A0	66	VE221
15	OH2590A0	67	VI1035A1
16	OH2610A0	68	VI1515A1
17	OH2613A0	69	VM1065A0
18	OH2650A0	70	VM1075A1
19	OH2730A0	71	VM1150A0
20	OH2736A0	72	VM1160A0
21	OH3020A0	73	VM1165A0
22	OH3040A0	74	VM1166A0
23	CE1275A0	75	VM1170A0
25	CE1355A0	76	VM1171A0
26	CE212	77	VM1175A0
27	EL1055A0	78	VM1190A0
28	EL1185A0	79	VM1191A0
29	EL1195A0	80	VM1192A0
30	EL1250A0	81	VM1195A0
31	GN1000B0	82	VM1196A0
32	GN1045A0	83	VM1201A0
33	GN1055A0	84	VM1205A0
34	GN1065A1	85	VM1215A0
35	GN1140A0	86	VM1220A0
36	GN1180A0	87	VM1230A0
37	GN1190A0	88	VM1231A0
38	GN1200A0	89	VM1235A0
39	GN224	90	VM1236A0
40	GRL1045A1	91	VM1260A0
41	GRP755	92	VM250
42	VM1180A0	93	VNI000B0
43	PD1001A0	94	VNI025A2
44	PE1345A1	95	VTI090A0
45	PE1355D0	96	VTI091A0
46	PE1365C0		
47	RC1170A1		
48	RC1210A0		
49	RS1150A0		
50	TB008		
51	TB1045A0		
52	VE1135A0		
53	TB1515A0		
54	TF1010A0		
55	TR1040A1		

MOD: XVC204 Зип Общепит

EXPLODED VIEW DISEGNO ESPLOSO



DESCRIZIONE CODICI vsezip.ru

DESCRIPTION

1	OD1440A0	COPERCHIO INOX XVC204
2	OD1545A0	FIANCO SX INOX XVC204
3	OD1546A0	FIANCO DX INOX XVC204
4	OF1155A0	SCHEMA INOX XVC204
6	OG1185A0	DIVISORIO CARTER ARIA INOX XVC204
7	OH1450A0	ANGOLO FACCIATA MUFFOLA INOX XB-XV-XG L.M.
10	OH2015A0	PROFILO SOSTEGNO MOTORE XV203G/403G L.M.
11	OH2550A0	TAPPO PER TUBO DI SCARICO INOX C.T.
12	OH2560A0	CONTROSTAFFA ZINCATO PORTA C.T.
13	OH2565A0	COLONNINA LATERALE SX INOX PORTA XVC204/304
14	OH2566A0	COLONNINA LATERALE DX INOX PORTA XVC204/304
15	OH2590A0	PROFILO PORTA COMPONENTI INOX XVC204
16	OH2610A0	LISTELLO QUADRO SUP PORTA INOX XVC204
17	OH2613A0	LISTELLO QUADRO INF PORTA INOX XVC204
18	OH2650A0	CERNIERA INOX VETRO INTERNO XVC204/304/504/704
19	OH2730A0	STAFFA ZINCATO SOSTEGNO MUFFOLA XVC204/304/504/704
20	OH2736A0	PROFILO INOX PARACALORE CRUSCOTTO XVC204
21	OH3020A0	DISCO TENUTA ALBERO MOTORE INOX
22	OH3040A0	PROFILO COPRICAMMINO INOX C.T.
23	CE1275A0	CAVO COLLEGAMENTO POTENZA CONTROLLO L=2,5 MT
25	CE1355A0	CAVO 5 X 2,5 MMQ H07RNF L = 1,5 MT
26	CE212	MORSETT. SFK/7FTW GV V0 00160593
27	EL1055A0	RIDUZIONE J.G. DA D=10 A D=8 PM201008E
28	EL1185A0	RACCORDO A GOMITO J.GUEST Ø8 - Ø8
29	EL1195A0	RACCORDO A GOMITO CON J.GUEST CODOLO D8 - D8
30	EL1250A0	ELETTROVALVOLA H2O 1 VIA RID. ROSSO JG IN Ø8-OUT Ø10 240
31	GN1000B0	GUARNIZIONE NERA 50 SHORE FORNI XB-XG-XV
32	GN1045A0	GUARN. ANTIMVIBR. CAMMINO-SCARICO ø131-øø39,9-Sp=7,5
33	GN1055A0	OR 46x2 VMQ 70 ROSSO
34	GN1065A1	GUARNIZIONE PORTALAMPADA DE=53.2 DI=44.2 SP=3.2 PTFE P
35	GN1140A0	GUARNIZIONE PORTAMOTORE STAMP. ALBERO MOT. D10 XB-X
36	GN1180A0	GUARNIZIONE CERNIERE VETRO INT. CARBOGRAFITE XVC204/30
37	GN1190A0	GUARNIZIONE SONDA DI TEMPERATURA C.T.
38	GN1200A0	GUARNIZIONE D=24 RACCORDO 3/4 GOMMA+RETE
39	GN224	GUARN.PTFE+CARB 100x22x0,8sp-c/fori 1999
40	GRL1045A1	GRIGLIA LAT. DX/SX INOX 5TG GN
41	GRP755	GRIGLIA GN2/3 PIANA CROMATA 354X325
42	VM1180A0	IMPUGNATURA MANIGLIA XVC204/304/504/704
43	PD1001A0	PIEDINO 35X35 H26 PLASTICA+GOMMA GRIGIO
44	PE1345A1	DISTANZIALE NYLON INCASTRO MASCHIO-INCASTRO MASCHIO
45	PE1355D0	SCHEDA CONTROLLO TOUCH C.T. SERIE 1
46	PE1365C0	SCHEDA POTENZA C.T. SERIE 1 230V 50/60Hz
47	RC1170A1	DADO M14 H=8 CH=22 INOX
48	RC1210A0	RACCORDO 3/4 FEMM. - J.GUEST Ø8 CON FILTRO E VNR
49	RS1150A0	RESISTENZA CIRC. D=230 5 SPIRE INCOLOY H78 2900 + 2000 W
50	TB008	TUBO PE 7,93x4,75 TRASPARENTE
51	TB1045A0	TUBO INTERNO UMIDITA D=16 SP=1 INOX XVC204/304
52	VE1135A0	ATTUATORE VENTURI 220V 50/60 Hz SERIE 2
53	TB1515A0	TUBO ESTERNO UMIDITA + RACCORDO INOX SALDATO
54	TF1010A0	BOCCOLA TEFLON CERNIERA VETRO INT. XVC204/304/504/704
55	TR1040A1	SONDA AL CUORE STAMPATA L=1320

56	TR1045A0	SONDA TEMPERATURA NTC L=1320
57	TR255B	TERMOSTATO SIC.+UNIPOL.330°C Ty95H L=1300mm
58	VE1005A1	LAMPADA ALOGENA 40W 230V
59	VE1010A1	VEICOLI CERNIERA INF. DA TEMPERATO. HIGH CHECK
60	VE1015A1	PORTA LAMPADA SERIE PER ALBERO ARIALOGENA
61	VE1020A0	MICROINTERRUTTORE PORTA MAGNETICO
62	VE1030A1	CALAMITA D=22,9mm PER MICROPORTA
63	VE1075A0	PRESSACAPO FV 268 RO
64	VE1095A0	TELERUTTORE GE 25A 230V 50/60 Hz CL01A400T6
65	VE1100A0	SCATOLA COPRI MORSETTIERA NYLON XBT/XVT
66	VE221	CONDENS. ICAR PRL 5uF 450V FASTON
67	VII035A1	NOTTOIUNO M6x12,5 CON TAGLIO OTT.CROM.FERMA GRIGLIE X
68	VII151A1	SUPPORTO SONDA AL CUORE CON CAVA PER FILO INOX
69	VM1065A0	CUFFIA COPRI CAMMINO FUMI L.M.
70	VM1075A1	CLIP DI FISSAGGIO PER TELERUTTORI
71	VM1150A0	COPERCHIO CRUSCOTTO C.T.
72	VM1160A0	STAFFA INFERIORE PORTA XVC204/304/504/704
73	VM1165A0	STAFFA SUPERIORE PORTA XVC204/304/504/704
74	VM1166A0	COPERCHIO STAFFA SUPERIORE PORTA XVC204/304/504/704
75	VM1170A0	TAPPO FULCRO SUPERIORE PORTA XVC204/304/504/704
76	VM1171A0	TAPPO FULCRO INFERIORE PORTA XVC204/304/504/704
77	VM1175A0	TAPPO ESTETICO COLONNINA PORTA XVC204/304/504/704
78	VM1190A0	SCROCCO MANIGLIA DX XVC204/304/504/704
79	VM1191A0	SCROCCO MANIGLIA SX XVC204/304/504/704
80	VM1192A0	COPERCHIO SCROCCO MANIGLIA XVC204/304/504/704
81	VM1195A0	PIASTRINA COPRIFORI XVC204/304/504/704
82	VM1196A0	PIASTRINA PASSAGGIO CAVI ACCESSORI C.T.
83	VM1201A0	PIASTRINA SUPPORTO MICROPORTA MAGNETICO
84	VM1205A0	PROFILO SALVAGOCCIA PORTA XVC204
85	VM1215A0	CASSETTO RACCOGLILOCIE XVC204
86	VM1220A0	CLIP FISSAGGIO CASSETTO RACCOGLILOCIE C.T.
87	VM1230A0	CERNIERA SUP. ALLUMINIO VETRO INT. XVC204/304/504/704
88	VM1231A0	CERNIERA INF. ALLUMINIO VETRO INT. XVC204/304/504/704
89	VM1235A0	FERMA VETRO INTERNO SUP. XVC204/304/504/704
90	VM1236A0	FERMA VETRO INTERNO INF. XVC204/304/504/704
91	VM1260A0	CURVA A 90° RACCORDO SCARICO
92	VM250	MORSETT. A PETTINE
93	VNI000B0	MOTORE COND. 5uF 200W ALB. M8 CONN. 5 POLI
94	VNI025A2	VENTOLA D=196 H=61 38 PALE INOX DADO M8
95	VTI090A0	VETRO INTERNO 457X432X6 BETFL XVC204
96	VTI091A0	VETRO ESTERNO SER. 471X557X4 CHIARO TFL XVC204

1	OD1440A0	STAINLESS STEEL COVER XVC204
2	OD1545A0	STAINLESS STEEL LEFT SIDE PANEL XVC204
3	OD1546A0	STAINLESS STEEL RIGHT SIDE PANEL XVC204
4	OF1155A0	STAINLESS STEEL BACK PANEL XVC204
5	OG1185A0	STAINLESS STEEL FAN GUARD PARTITION XVC204
7	OH1450A0	STAINLESS STEEL MUFFLE FRONT FACE ANGLE XB-XV-XG-L.M.
10	OH2015A0	FORM FOR MOTOR SUPPORT XV203G/403G L.M.
11	OH2550A0	STAINLESS STEEL COVER FOR DRAIN PIPE CHEFTOP
12	OH2560A0	ZINC PLATED DOOR COUNTERSTIRRUP C.T.
13	OH2565A0	STAINLESS STEEL LEFT DOOR COLUMN XVC204/304
14	OH2566A0	STAINLESS STEEL RIGHT DOOR COLUMN XVC204/304
15	OH2590A0	STAINLESS STEEL COMPONENTS HOLDER PLATE XVC204
16	OH2610A0	DOOR STAINLESS STEEL UPPER SQUARE LISTEL XVC204
17	OH2613A0	DOOR STAINLESS STEEL LOWER SQUARE LISTEL XVC204
18	OH2650A0	STAINLESS STEEL INTERNAL GLASS HINGE XVC204/304/504/704
19	OH2730A0	ZINC PLATED MUFFLE SUPPORT BRACKET XVC204/304/504/704
20	OH2736A0	STAINLESS STEEL HEAT-GUARD FOR PANEL XVC204
21	OH3020A0	STAINLESS STEEL SEALING DISC FOR MOTOR
22	OH3040A0	STAINLESS STEEL PLATE FOR CHIMNEY PROTECTION C.T.
23	CE1275A0	CONNECTION CABLE POWER - CONTROL BOARD L=2,5 MT
25	CE1355A0	CABLE 5 X 2,5 MMQ H07RNF L = 1,5 MT
26	CE212	TERMINAL BOARD SFK/7FTW GV V0 00160593
27	EL1055A0	J.G. REDUCTION FROM D=10 TO D=8 PM201008E
28	EL1185A0	ELBOW CONNECTION J. GUEST Ø8 - Ø8
29	EL1195A0	ELBOW UNION WITH J.GUEST TERMINAL D8 - D8
30	EL1250A0	WATER SOLENOID VALVE 1-WAY RED REDUCER JG IN Ø8-OUT Ø10
31	GN1000B0	BLACK DOOR SEAL 50 SHORE OVENS XB-XG-XV
32	GN1045A0	ANTIMVIBR. SEAL FOR EXHAUST CHIMNEY ø131-øø39,9-Sp=7,5
33	GN1055A0	OR 46x2 VMQ 70 RED
34	GN1065A1	SEAL FOR LAMP GLASS COVER (PURE PTFE) DE=53.2 DI=44.2 TH=
35	GN1140A0	MOTOR GASKET
36	GN1180A0	INTERNAL GLASS HINGE CARBOGRAPHITE GASKET XVC204/304/
37	GN1190A0	CHEFTOP TEMPERATURE PROBE SEAL
38	GN1200A0	SEAL D=24 CONNECTION 3/4 RUBBER+NET
39	GN224	PTFE+CARB 100x22x0,8sp-w/holes 1999 GASKET
40	GRL1045A1	RIGHT/LEFT LATERAL GRID STAINLESS STEEL 5 TRAYS GN 1/1
41	GRP755	GRID GN2/3 FLAT CHROMIUM PLATED 354X325
42	VM1180A0	HANDLE HAFT XVC204/304/504/704
43	PD1001A0	FOOT 35X35 H26 GREY PLASTIC+RUBBER
44	PE1345A1	NYLON SPACER MALE-MALE H=14
45	PE1355D0	CONTROL CARD TOUCH C.T. SERIE 1
46	PE1365C0	POWER CARD C.T. SERIE 1 230V 50/60 Hz
47	RC1170A1	STAINLESS STEEL NUT M14 H=8 CH=22
48	RC1210A0	3/4 FEMALE CONNECTION - J. GUEST Ø8 WITH FILTER AND VNR
49	RS1150A0	CIRC. HEAT. ELEMENT D=230 5 TURNS INCOLOY H78 2900+2000
50	TB008	TRANSPARENT TUBE PE 7,93x4,75
51	TB1045A0	STAINLESS STEEL INNER WATER TUBE D=16 TH=1 XVC204/304
52	VE1135A0	VENTURI ACTUATOR 220 V 50/60 Hz SERIES 2
53	TB1515A0	STAINLESS STEEL EXTERNAL WATER TUBE + WELDED CONNECTIO
54	TF1010A0	TEFLON BUSHING FOR INTERNAL GLASS HINGE XVC204/304/50
55	TR1040A1	MOLDED CORE PROBE L=1320

56	TR1045A0	TEMPERATURE PROBE NTC 150
57	TR255B	SAFETY THERMOSTAT+UNIPOL. 330°C Ty95H L=1300mm
58	VE1005A1	HALOGEN LAMP 40W
59	VE1010A1	TEMPERED LIGHT BULB GLASS COVER
60	VE1015A1	LAMP HOLDER SERIE 2 FOR HALOGEN LAMP
61	VE1020A0	MAGNETIC DOOR MICROSWITCH
62	VE1030A1	MAGNET FOR DOOR MICROSWITCH D=22,9mm
63	VE1075A0	CABLE PRESS FV 268 RO
64	VE1095A0	REMOTE CONTROL SWITCH GE 25A 230V 50/60 Hz CL01A400T6
65	VE1100A0	TERMINAL BOARD BLACK NYLON COVER XBT/XVT
66	VE221	ICAR CONDENSER PRL 5uF 450V FASTON
67	VII035A1	CHROMIUM PLATED BRASS NUT M6x12,5 TO STOP LATERAL SUP
68	VII151A1	STAINLESS STEEL CORE PROBE SUPPORT WITH CANAL FOR CABLE
69	VM1065A0	PLASTIC COVER FOR FUMES CHIMNEY L.M.
70	VM1075A1	PLASTIC CLIP TO FIX CONTACTORS
71	VM1150A0	CHEFTOP CONTROL PANEL CAP
72	VM1160A0	LOWER DOOR BRACKET XVC204/304/504/704
73	VM1165A0	UPPER DOOR BRACKET XVC204/304/504/704
74	VM1166A0	CAP FOR DOOR UPPER STIRRUP XVC204/304/504/704
75	VM1170A0	DOOR UPPER FULCRUM-CAP XVC204/304/504/704
76	VM1171A0	DOOR LOWER FULCRUM-CAP XVC204/304/504/704
77	VM1175A0	DOOR COLUMN BLANKING CAP XVC204/304/504/704
78	VM1190A0	RIGHT DOOR SPRING LATCH XVC204/304/504/704
79	VM1191A0	LEFT DOOR SPRING LATCH XVC204/304/504/704
80	VM1192A0	DOOR SPRING LATCH CAP XVC204/304/504/704
81	VM1195A0	HOLES BLANKING PLATE XVC204/304/504/704
82	VM1196A0	PASSAGE PLATE FOR ACCESSORIES CABLES CHEFTOP
83	VM1201A0	SUPPORT PLATE FOR DOOR MAGNETIC MICROSWITCH
84	VM1205A0	DOOR DROP PRESERVER FORM XVC204
85	VM1215A0	DRIP TRAY XVC204
86	VM1220A0	CLIP TO FIX DRIP TRAY C.T.
87	VM1230A0	UPPER ALUMINIUM HINGE FOR INTERNAL GLASS XVC204/304/5
88	VM1231A0	LOWER ALUMINIUM HINGE FOR INTERNAL GLASS XVC204/304/5
89	VM1235A0	UPPER HOOK TO STOP INNER GLASS XVC204/304/504/704
90	VM1236A0	LOWER HOOK TO STOP INNER GLASS XVC204/304/504/704
91	VM1260A0	90°C CURVED DRAIN PIPE
92	VM250	"COMB" TERMINAL BOARD
93	VNI000B0	MOTOR COND. 5uF 200W ALB. M8 CONN. 5 TERMINALS
94	VNI025A2	FAN D=196 H=61 38 BLADES STAINLESS STEEL NUT M8
95	VTI090A0	INNER GLASS 457X432X6 BETFL XVC204
96	VTI091A0	EXTERNAL SER. GLASS 471X557X4 LIGHT TFL XVC204