

Зип Общепит

vsezip.ru

+7(812)987-08-81



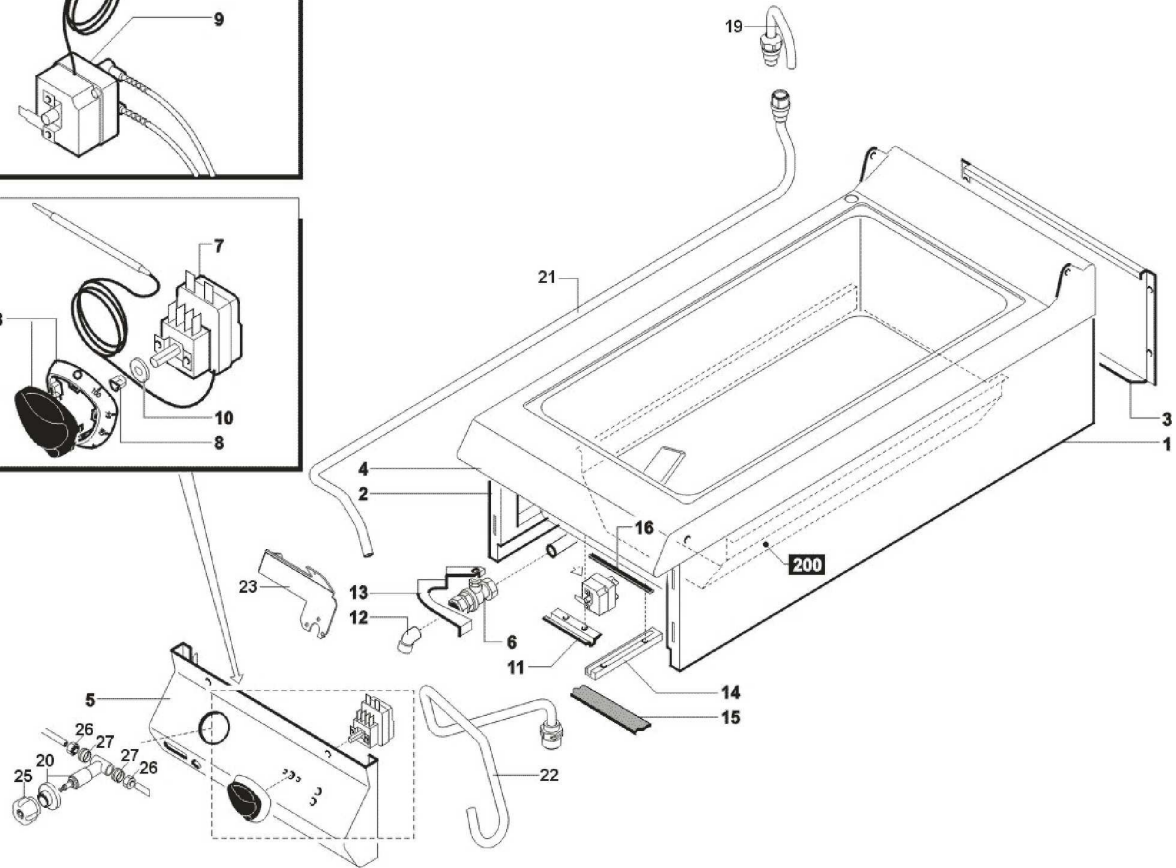
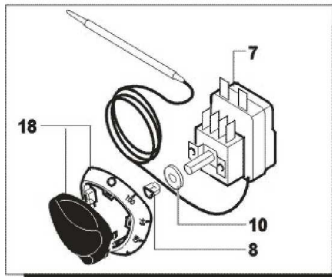
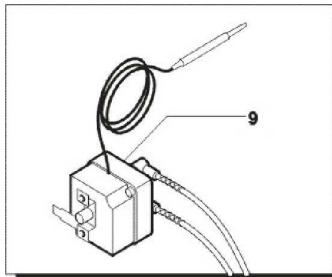
**ОАОВМЕ**

**Edition 20120403-**

Зип Общепит

vsezip.ru

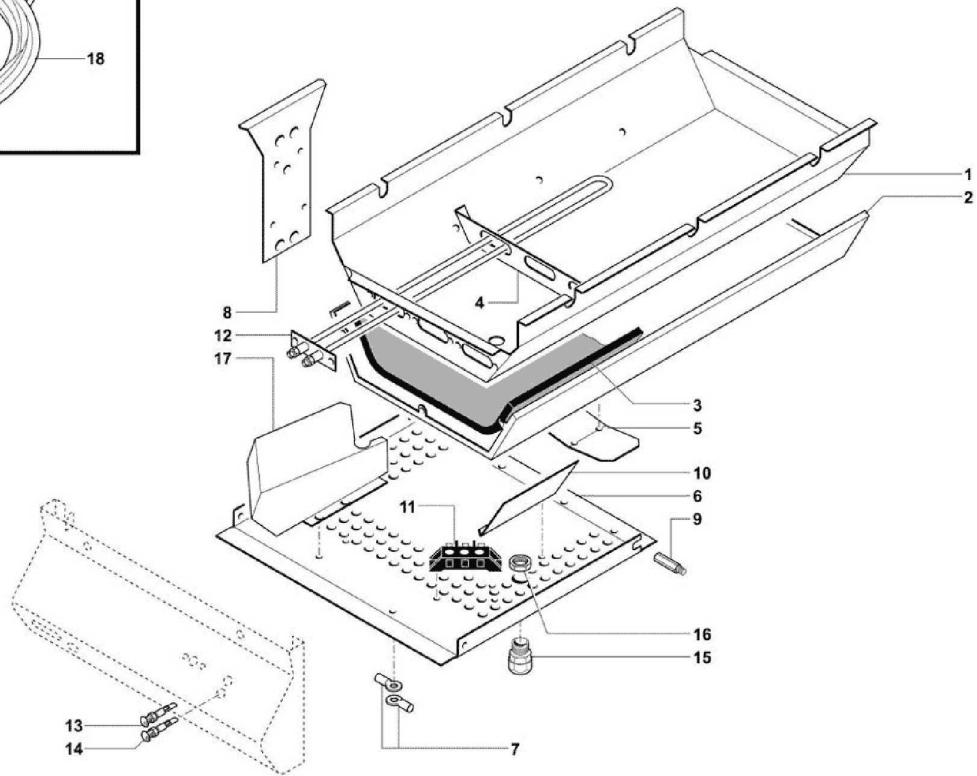
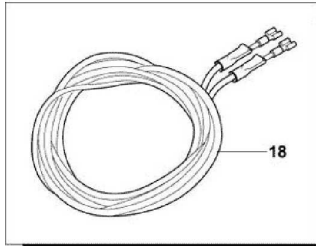
+7(812)987-08-81



Зип Общепит

vsezip.ru

+7(812)987-08-81



Page	Pos	Code	Description	Info
002	001	30A4980	RH PANEL	11/03/2002-
002	002	30A4970	LH PANEL	11/03/2002-
002	003	35A1552	REAR PANEL 400	03/04/2012-
002	004	30M8053	ELT. TOP C/WELL ASS.	08/09/2003-
002	005	30A4580	CONTROL BOARD	29/06/2001-
002	006	33D2131	COCK Ø18	29/01/2003-
002	007	32Z9271	THERMOSTAT 30-112°	26/01/2010-
002	008	3170290	C KNOB SPRING	01/02/1999-
002	009	32Z9380	THERMOSTAT 150°C	01/02/1999-
002	010	3152240	THERMOSTAT PROTECT.	01/02/1999-
002	011	35R0380	BULB SUPPORT	01/02/1999-
002	012	33Q3730	DRAIN PIPE 45° MF Ø	01/02/1999-
002	013	36G7852	COCK HANDLE	29/01/2003-
002	014	36C2810	FEELER SUPPORT	01/02/1999-
002	015	157AA01	GASKET	01/02/1999-
002	018	6300482	EL. CONTROL ASS.Y	01/02/1999-
002	019	33Q4690	WATER SPOUT	29/06/2001-
002	020	6300727	COCK ASSEMBLY	28/01/2009-
002	021	30Z2780	PIPE	29/06/2001-
002	022	30Z2790	WATER PIPE ASS. Y	29/06/2001-
002	023	35R9490	SUPPORT	29/06/2001-
002	025	3162200	RED RING KNOB	28/01/2009-
002	200	M001240	M.ELECTRIC CHAMBER	01/02/1999-
003	001	35D9710	HEATING ELEMENTS CHAMBER	01/02/1999-
003	002	35P0060	INSULATION PANEL COVER	01/02/1999-
003	003	37Q2160	INSULATING PANEL	01/02/1999-
003	004	35R0990	HEATING EL. SUPPORT	01/02/1999-
003	005	35D9470	OVEN PLATE HOLE	01/02/1999-
003	006	35E1610	BOTTO MPLATE	29/06/2001-
003	007	17RNL01	CABLE TERMINAL	01/02/1999-
003	008	35E0470	SPLASH GUARD	01/02/1999-
003	009	36G2590	PIN	01/02/1999-
003	010	35P0110	GAS INLET GUARD	01/02/1999-
003	011	32D0171	TERMINAL BOARD	01/02/1999-
003	012	32G2220	HEATING ELEMENT	01/02/1999-
003	013	3106710	GREEN LIGHT 230V	23/05/2007-
003	014	3106730	ORANGE LIGHT 230V	23/05/2007-
003	015	32D0191	FAIRLEAD	01/02/1999-
003	016	32D0200	LOCK NUT PG16	01/02/1999-
003	017	35E0481	SPLASH GUARD	29/01/2003-
003	018	32Q4010	EL. CABLES 0A0BME	01/02/1999-