

Зип Общепит

vsezip.ru

+7(812)987-08-81



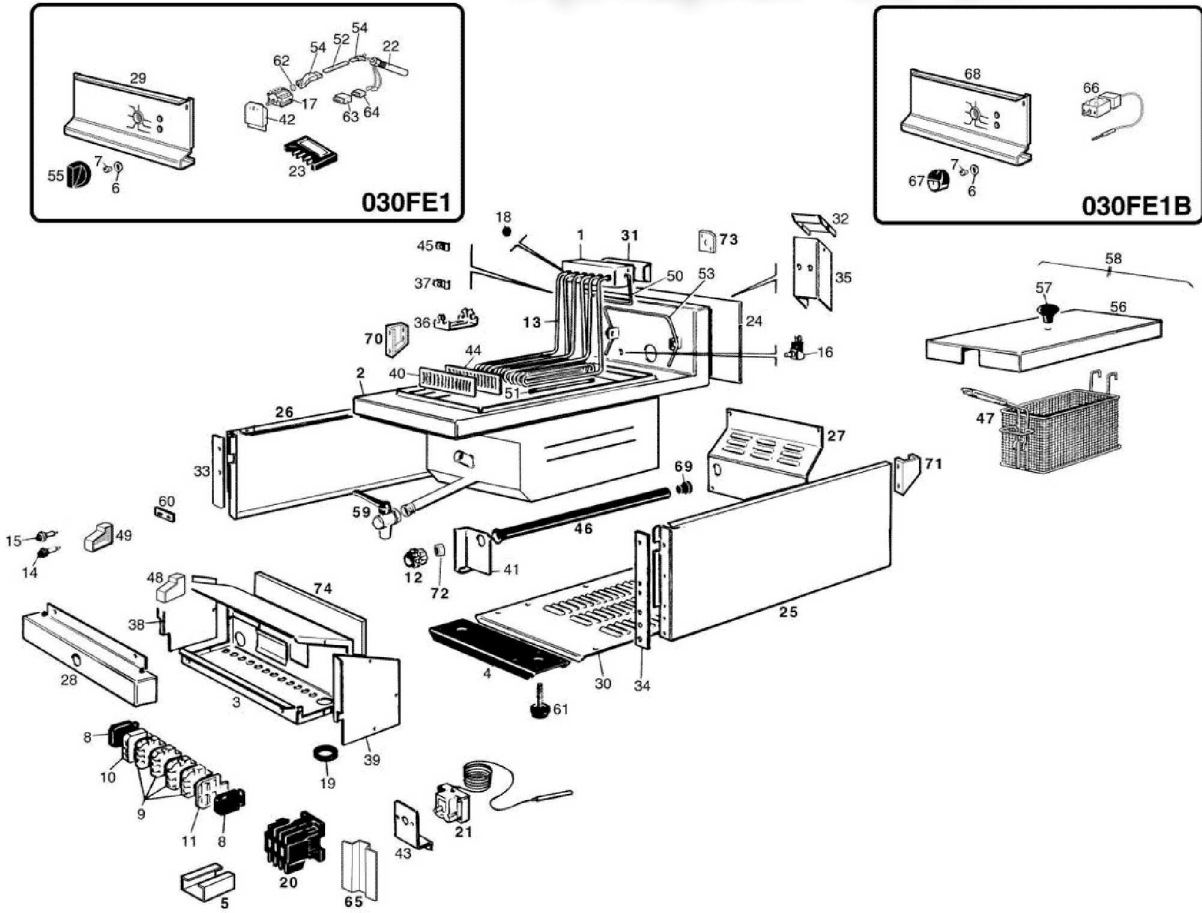
030FE1

Edition 20080311-

Зип Общепит

vsezip.ru

+7(812)987-08-81



Pos	Code	Description	Info
001	3AA0600	HEAT ELEMENT BRACKET	01/09/1996-
002	30M0400	ELT. TOP C/WELL ASS. Y	01/09/1996-
003	30Q2260	ELECTRIC BOX ASS.Y	01/09/1996-
004	30T2531	FOOT HOUSING ASS. Y	01/09/1996-
005	32D0500	"C" BRACKET	01/09/1996-
006	3150790	THERMOSTAT PROTECT.	01/09/1996-
007	3170290	KNOB SPRING	01/09/1996-
008	32D0060	TERMINAL CLAMPING BOARD	01/09/1996-
009	32D0470	LIVE TERMINAL	01/09/1996-
010	32D0480	GROUND TERMINAL	01/09/1996-
011	32D0490	TERMINAL END COVER	01/09/1996-
012	32D1250	PIPE JOINT 3/4"	01/09/1996-
013	32G1241	HEATING ELEMENT	01/09/1996-
014	3106730	ORANGE LIGHT 230V	23/05/2007-
015	3106710	GREEN LIGHT 230V	23/05/2007-
016	32W3340	MICROSWITCH	11/03/2008-
017	32W2550	SWITCH	01/09/1996-
018	32X0010	GROMMET $\varnothing 7 \varnothing 3$	01/09/1996-
019	32X0130	GROMMET $\varnothing 29-\varnothing 37$	01/09/1996-
020	32Z2531	RELAY 240V-50/60HZ	31/12/1997-
020	3100910	RELAY 220/230V-	01/01/2008-
021	32Z3631	50/60Hz SAFETY THERMOSTAT	01/09/1996-
022	6300359	DEVICE THERMOST.	01/09/1996-
023	32Z5500	BOUNCE CONTROL	01/09/1996-
024	35A1640	FLUE BACK PANEL	01/09/1996-
025	35C0600	RH PANEL	01/09/1996-
026	35C0590	LH PANEL	01/09/1996-
027	35B2022	REAR PANEL	01/09/1996-
028	35B4710	FRONT PANEL	01/09/1996-
029	35B5520	UPPER CONTROL BOARD	01/09/1996-
030	35D4460	BOTTOM PLATE	01/09/1996-
031	35D1580	REAR PLATE	01/09/1996-
032	35G5970	MICRO-SWITCH COVER	01/09/1996-
033	35Q6000	LH PANEL PROTECTION	01/09/1996-
034	35Q6930	RH PANEL PROTECTION	01/09/1996-
035	35Q7070	MICROSWITCH GUARD	01/09/1996-
036	35S5040	SUPPORT	01/09/1996-
037	35S0540	CAPILLARY BULB SUPPORT	01/09/1996-
038	35S5260	LH EL. BOX SUPPORT	01/09/1996-
039	35S5490	RH EL. BOX SUPPORT	01/09/1996-
040	35S5570	FLAT BRACKET	01/09/1996-
041	35S5610	SUPPORT	01/09/1996-
042	35S6751	SUPPORT 030FE1	01/09/1996-
043	35S7240	SUPPORT	01/09/1996-
044	35T3491	FLAT BRACKET	01/09/1996-
045	35T3540	BULB HOLDER	01/09/1996-
046	35X3630	CABLE INLET PIPE	01/09/1996-
047	36A3481	BASKET 300X200X115	01/09/1996-
048	36D3420	RH END SIDE	01/09/1996-
049	36D3430	LH END SIDE	01/09/1996-
050	36D4060	PIN	01/09/1996-

Pos	Code	Description	Info
051	36D6960	PIN	01/09/1996-
052	36D6970	PIN 030FE1	01/09/1996-
053	36D7150	BASKET SUPPORT	01/09/1996-
054	36G5260	CARDAN JOINT 030FE1	01/09/1996-
055	36M2400	ELECTRIC CONTROL KNOB	01/09/1996-
056	35G8990	WELL LID	26/09/2000-
057	36M2130	HANDLE	01/09/1996-
058	6002020	COVER	01/09/1996-
059	33D0853	COCK	01/09/1996-
060	35T9650	FLAT BRACKET	01/09/1996-
061	36D2970	ADJUSTABLE FOOT	01/09/1996-
062	3121480	WASHER $\varnothing 12.5 \varnothing 6.4 = 1.6$	01/09/1996-
063	170WR01	JUNCTION BOX	01/09/1996-
064	171WR01	JUNCTION BOX	01/09/1996-
065	32D0540	"OMEGA" BRACKET	01/09/1996-
069	32D1260	BUSHING	01/09/1996-
070	35Q8290	LEFT HAND PANEL	01/09/1996-
071	35Q8300	RIGHT HAND PANEL	01/09/1996-
072	36Q1100	LOCK NUT 3/4"	01/09/1996-
073	35T3891	FLAT BRACKET	24/01/1997-
074	37Q3340	INSULATING PANEL	01/09/1996-
075	32Q3580	EL. CABLES 030FE1B	01/09/1996-
076	32Q2681	EL. CABLES 030FE1	01/09/1996-