

Зип Общепит

vsezip.ru

+7(812)987-08-81



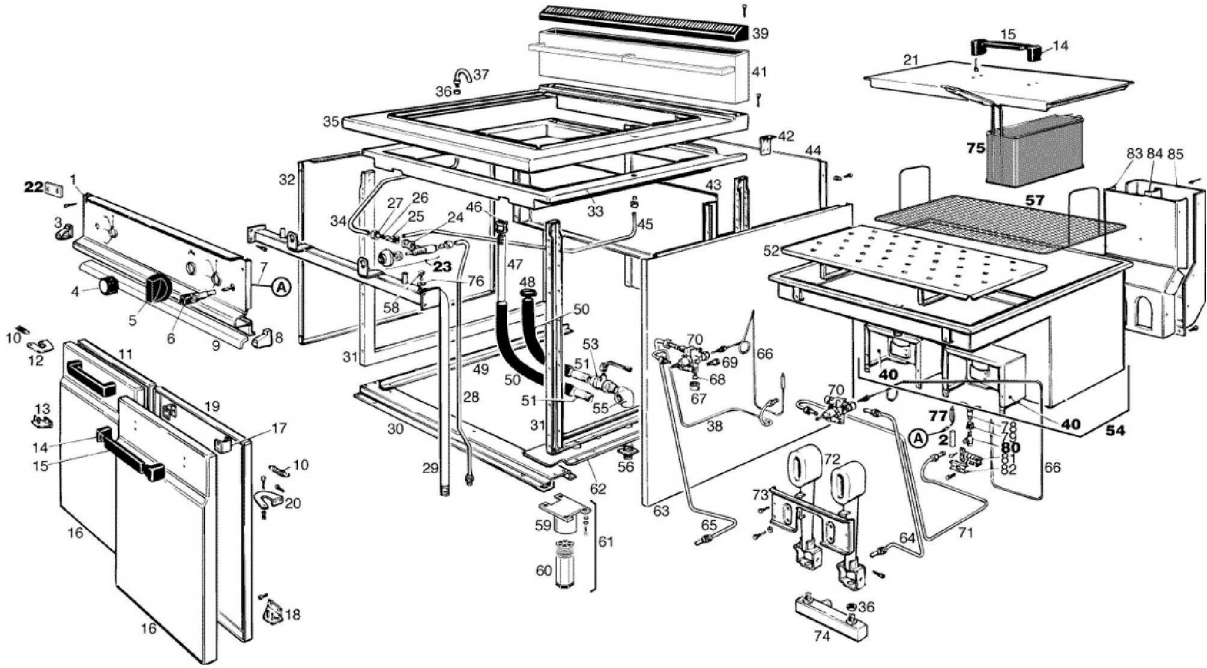
71CP

Edition 20110101-

Зип Ощепит

vsezip.ru

+7(812)987-08-81



Pos	Code	Description	In o
001	35B9300	UPPER CONTROL BOARD	01/11/1995-
002	131AA46	HOSE 8'X40	01/11/1995-
003	36D3430	LH END SIDE	01/11/1995-
004	36M2642	RED RING KNOB	01/01/2011-
005	36M2390	GAS CONTROL KNOB	01/11/1995-
006	32T0130	PIEZO IGNITION	01/11/1995-
007	32A0061	CABLE "HF" 1100MM	01/11/1995-
008	36D3420	RH END SIDE	01/11/1995-
009	35S5590	BRACKET	01/11/1995-
010	36G5240	SPRING	01/11/1995-
011	3AG0150	LH INNER DOOR FRAME ASS. Y	01/11/1995-
012	36M2531	LH UPPER HINGE	01/11/1995-
013	36M2490	LH LOWER HINGE ASS. Y	01/11/1995-
014	36M2910	TERMINAL	01/11/1995-
015	36M2471	HANDLE	01/11/1995-
016	35G1920	DOOR	01/11/1995-
017	35U3150	""C"" BRACKET"	01/11/1995-
018	36M2500	RH LOWER HINGE ASS. Y	01/11/1995-
019	3AG0140	RH INNER DOOR FRAME ASS. Y	01/11/1995-
020	36M2541	RH UPPER HINGE	01/11/1995-
021	35G2530	WELL LID	01/11/1995-
022	35T9650	FLAT BRACKET	01/11/1995-
023	33D0590	"COCK 3/8""	01/11/1995-
024	33Q3060	SOCKET F 3/8"	01/11/1995-
025	33Q0140	"T" JOINT	01/11/1995-
026	36Q0080	BICONE Ø 10X6.5	01/11/1995-
027	36Q0140	BICONE NUT Ø 10	01/11/1995-
029	30Z1370	GAS MANIFOLD ASS. Y	01/11/1995-
030	35U3300	""OMEGA"" BRACKET"	01/11/1995-
031	30T1730	SIDE FRAME ASS. Y	01/11/1995-
032	35A8120	LH PANEL	01/11/1995-
033	30T2200	TOP FRAME ASS. Y	01/11/1995-
034	35Z6840	PIPE	01/11/1995-
035	30M1590	TOP ASS. Y	01/11/1995-
036	36Q1110	LOCK NUT 3/8"	01/11/1995-
037	33Q2730	WATER SPOUT	01/11/1995-
038	35X1020	PILOT LIGHT PIPE	01/11/1995-
039	35A9090	FLUE GUARD	01/11/1995-
040	35Q4442	BURNER HOUSING	01/11/1995-
041	30D1432	EXT. FLUE ASS. Y	01/11/1995-
042	35U7140	"L" BRACKET	01/11/1995-
043	35Q6050	REAR GUARD PANEL	01/11/1995-
044	35B0451	REAR PANEL	01/11/1995-
045	35Z6850	PIPE	01/11/1995-
046	33Q2260	SOCKET F 1"	01/11/1995-
047	35Z6560	"PIPE Ø 1""X280"	01/11/1995-
048	3140300	HOSE CLAMP	01/11/1995-
049	35U3480	"L" BRACKET	01/11/1995-
050	33M0800	PIPE	01/11/1995-
051	35Z3490	SPACER PIPE	01/11/1995-
052	30M1600	FALSE BOTTOM ASS. Y	01/11/1995-

Pos	Code	Description	In o
053	33D1740	COCK MF	01/11/1995-
054	6004280	WELL KIT ASS. Y	01/11/1995-
055	33Q2880	SIDE OUTLET ELBOW	01/11/1995-
056	33Q5730	NIPPLE ASS. Y	01/11/1995-
057	36A2301	BOTTOM NET	01/11/1995-
058	31A7380	SCREW TE M5X10	01/11/1995-
059	36D9360	FOOT HOUSING ASS. Y	01/11/1995-
060	36D9350	STAINLESS STEEL FOOT	01/11/1995-
061	36D9340	STAINLESS STEEL FOOT ASS.Y	01/11/1995-
062	35U8022	GAS CROSS MEMBER	01/11/1995-
063	35A8110	RH PANEL	01/11/1995-
064	35X0981	BURNER PIPE	01/11/1995-
065	35X0991	BURNER PIPE	01/11/1995-
066	33A0520	THERMOCOUPLE	01/11/1995-
067	36Q0050	BICONE NUT Ø 12	01/11/1995-
068	36Q0030	BICONE Ø12X8	01/11/1995-
069	32Z1460	VALVE MAGNET	01/11/1995-
070	33A1040	GAS CONTROL	01/11/1995-
071	35X1010	PILOT LIGHT PIPE	01/11/1995-
072	34A1670	VERTICAL BURNER	01/11/1995-
073	35S5540	BURNER SUPPORT	01/11/1995-
074	30Z7531	GAS MANIFOLD	01/12/1997-
075	36A2582	PASTA BASKET	01/11/1995-
076	3128460	WASHER	01/11/1995-
077	32T0010	IGNITION PLUG	01/11/1995-
078	32Z2241	2 FLAMES BURNER	01/11/1995-
079	33A0970	RING NUT	01/11/1995-
080	33A2900	PILOT BURNER BODY	01/11/1995-
081	33A0950	REAR BRACKET	01/11/1995-
082	35S5080	SUPPORT	01/11/1995-
083	35D4820	FLUE FRONT PANEL	01/11/1995-
084	35U8210	"U" BRACKET	01/11/1995-
085	35D4810	FLUE BACK PLATE	01/11/1995-
086	30Z1980	WATER PIPE ASS. Y	25/03/1997-