

Зип Общепит

vsezip.ru

+7(812)987-08-81

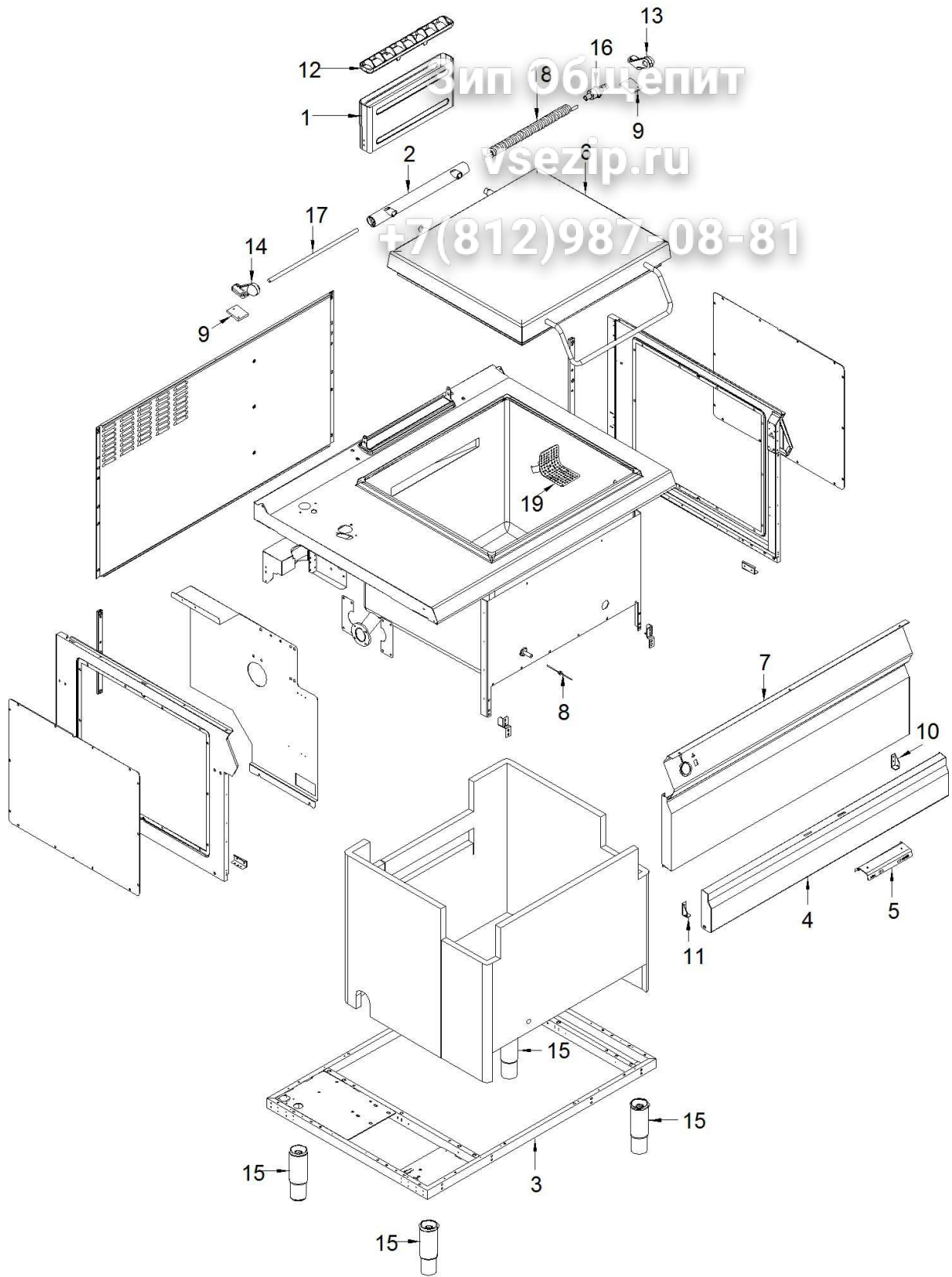


12CP1GA

Edition 20151029-

Зип Общепит
vsezip.ru

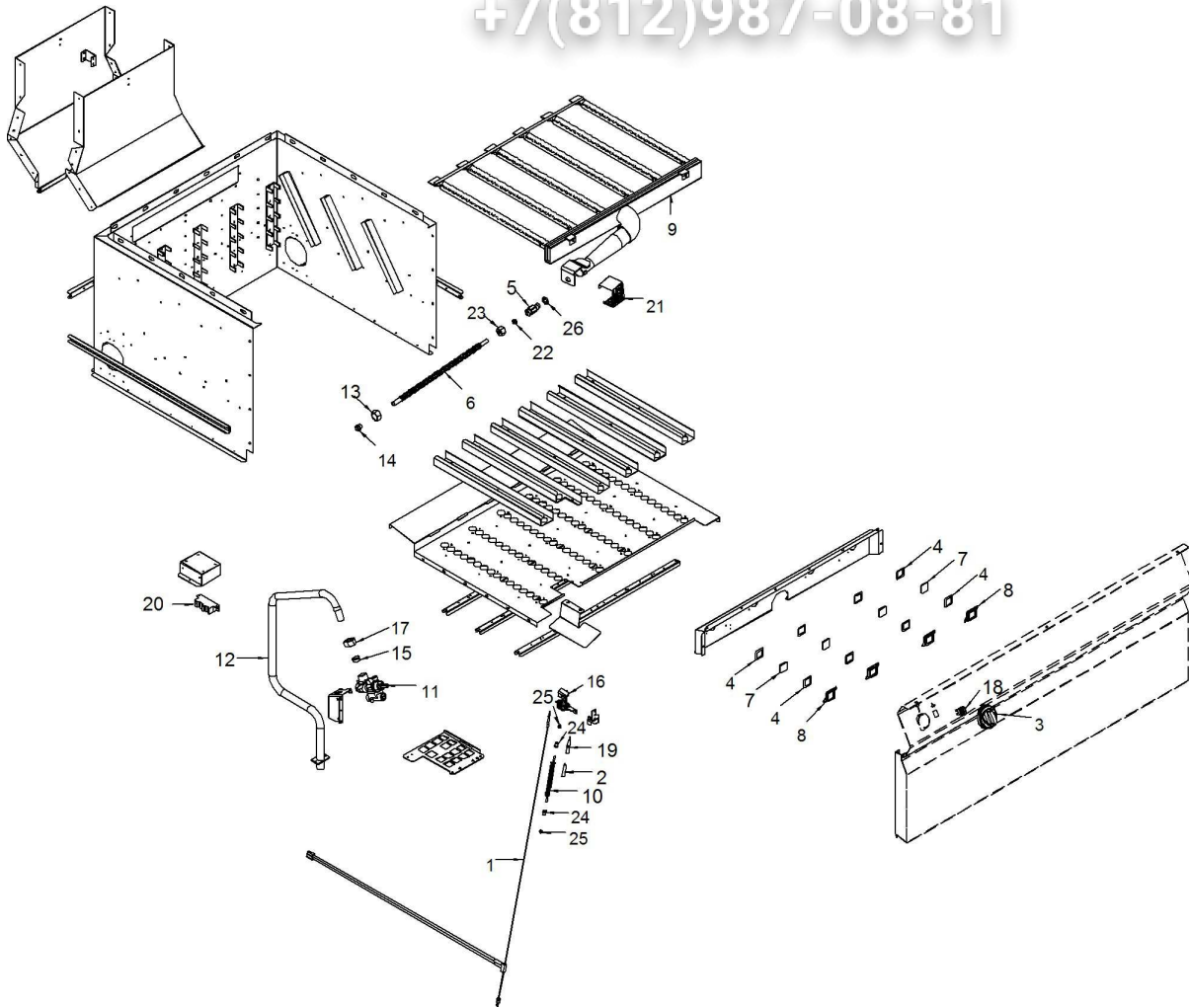
+7(812)987-08-81



Зип Ощепит

vsezip.ru

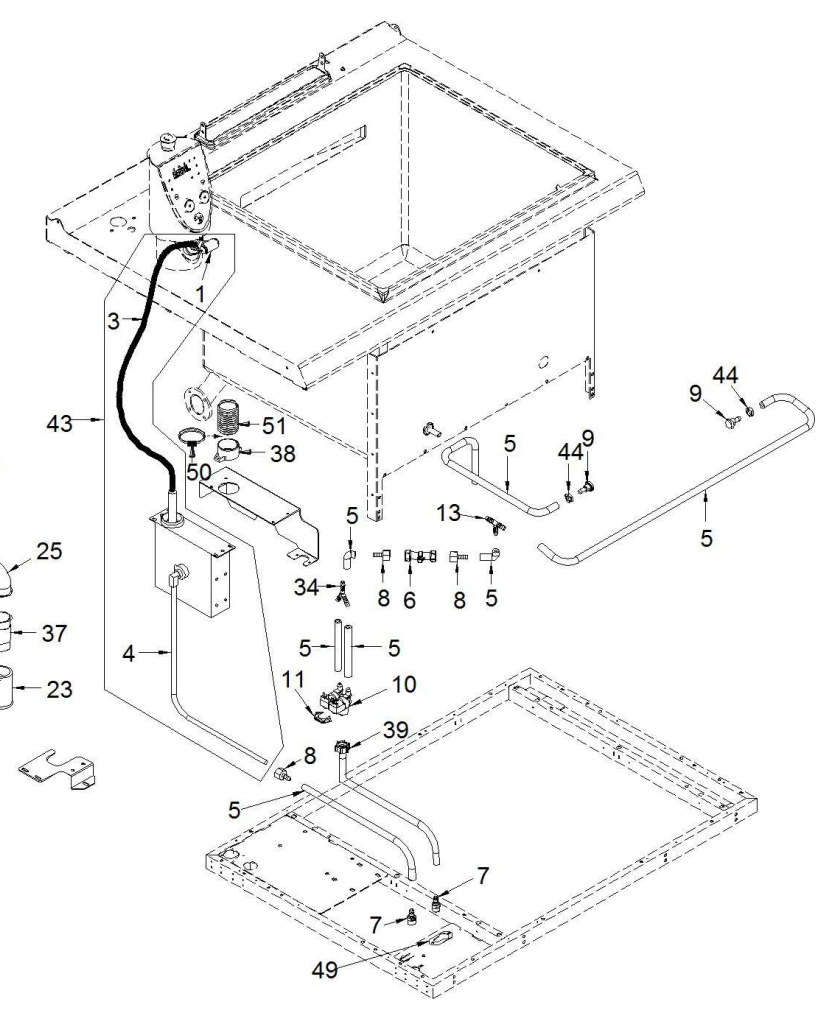
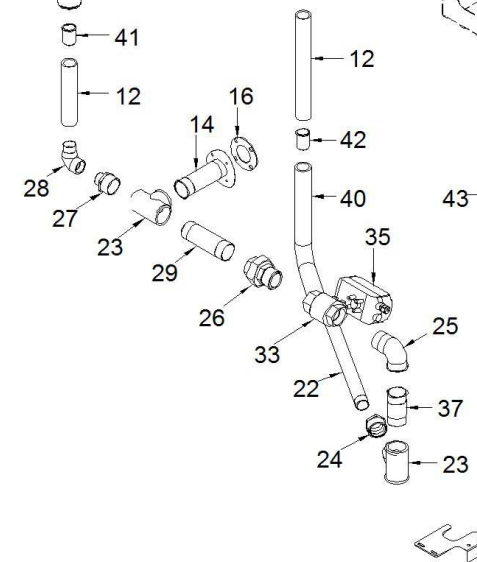
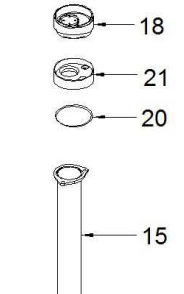
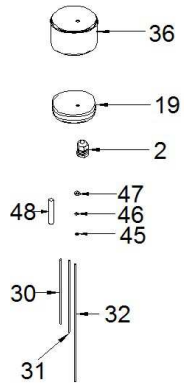
+7(812)987-08-81



Зип Общепит

vsezip.ru

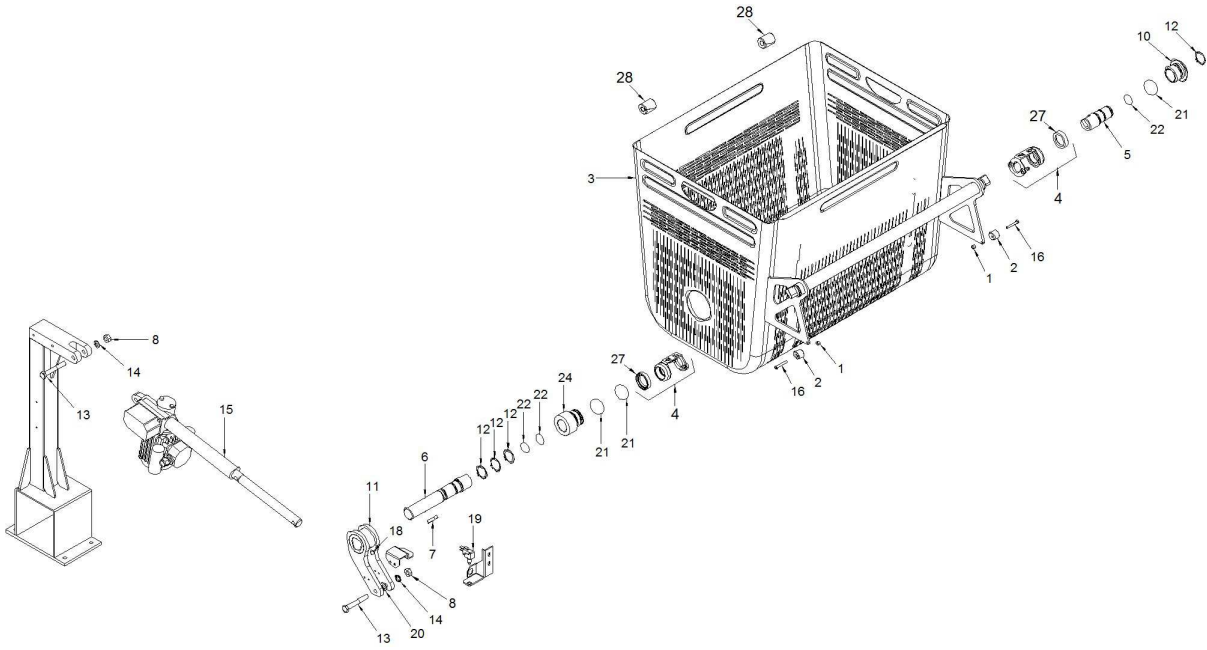
+7(812)987-08-81



Зип Ощепит

vsezip.ru

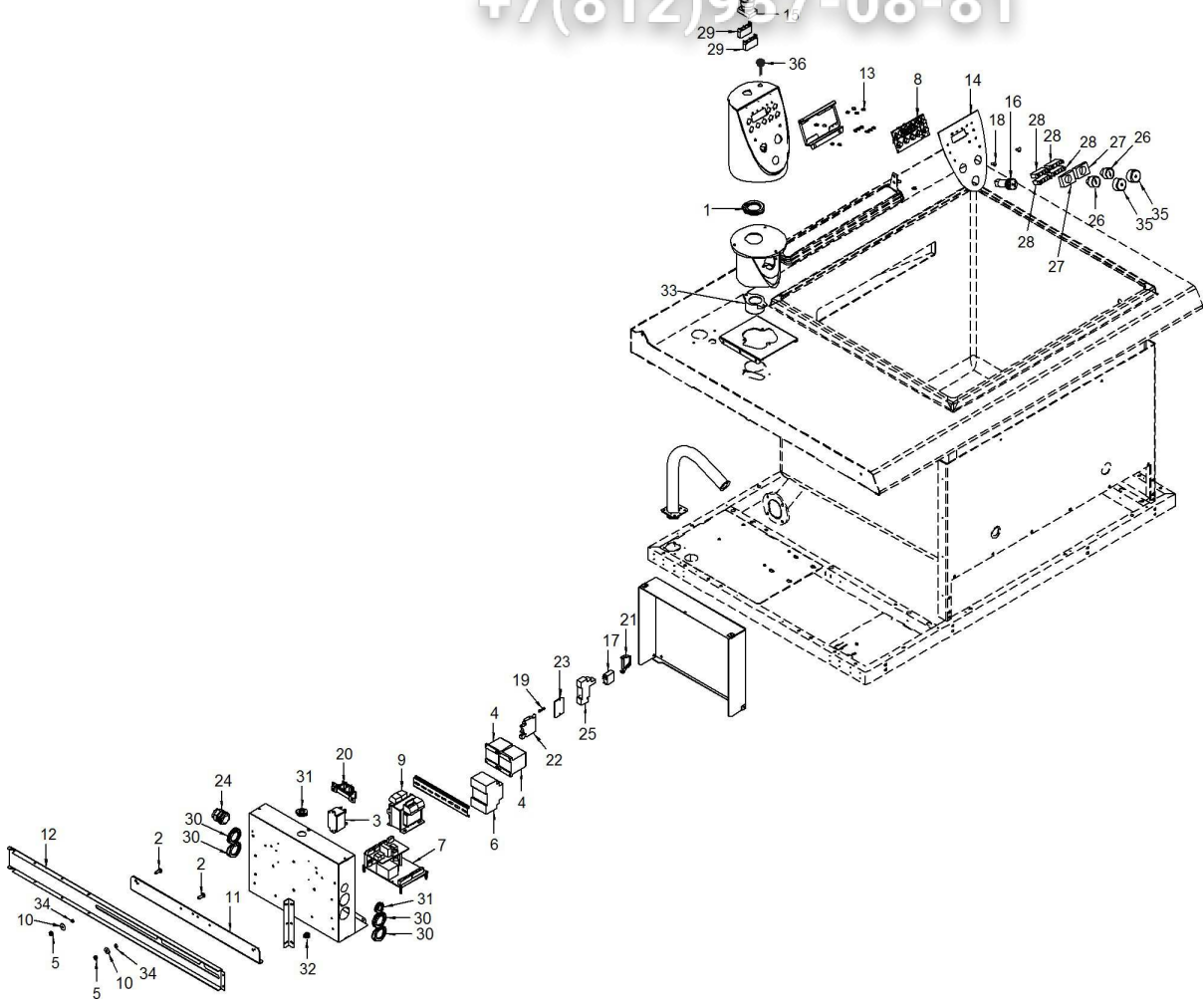
+7(812)987-08-81



Зип Общепит

vsezip.ru

+7(812)987-08-81



Page	Pos	Code	Description	Info
002	001	30Q1800	EXT FLUE ASS. Y	27/10/2008-
002	002	3107970	COVER HINGE	27/10/2008-
002	003	3142181	BASE	23/01/2013-
002	004	3141390	LOWER FRONT PANEL	27/10/2008-
002	005	3121640	HANDLE	27/10/2008-
002	006	3142010	COVER ASSEMBLY	27/10/2008-
002	007	3141400	FRONT PANEL	27/10/2008-
002	008	32V5750	THERMAL RESISTOR, PT1000	27/10/2008-
002	009	35R0510	FLAT BRACKET	27/10/2008-
002	010	35R3610	RIGHT-HAND HINGE	27/10/2008-
002	011	35R7260	LEFT HAND HINGE	27/10/2008-
002	012	36C1310	FLUE GUARD	27/10/2008-
002	013	3137920	RH HINGE SUPPORT	01/12/2008-
002	014	3137910	LH HINGE SUPPORT	01/12/2008-
002	015	36C2970	STAINLESS STEEL FOOT	27/10/2008-
002	016	36G2680	SPRING PIN	27/10/2008-
002	017	36H0260	HINGE SHAFT	27/10/2008-
002	018	36H0330	SPRING	27/10/2008-
002	019	3158540	TANK FILTER	13/03/2009-
003	001	6021770	INTERRUPTED THERMOC.	27/10/2008-
003	002	131AA46	M9X1X1000 CAB HOSE 8'X40	27/10/2008-
003	003	3015730	GAS CONTROL KNOB	27/10/2008-
003	004	3031901	GASKET	27/10/2008-
003	005	3035340	NOZZLE HOUSING	27/10/2008-
003	006	3070510	FLEXIBLE PIPE DN12 L=800	27/10/2008-
003	007	3070970	SPY-HOLE	27/10/2008-
003	008	3070980	SUPPORT GLASS	27/10/2008-
003	009	3218890	BURNER 32KW	29/03/2012-
003	010	3105190	FLEXIBLE PIPE L=1200	27/10/2008-
003	011	3109390	GAS CONTROL	27/10/2008-
003	012	3121890	GAS MANIFLOID ASS. Y	27/10/2008-
003	013	3122070	BICONE SCREW Ø 12	27/10/2008-
003	014	3122080	BICONE Ø12	27/10/2008-
003	015	3123390	BICONE Ø20	27/10/2008-
003	016	3123490	ASSEMBLY PILOT BURNER WITHOUT	27/10/2008-
003	017	3124100	INJECTOR BICONE SCREW Ø 20	27/10/2008-
003	018	3126050	RED BUTTON	27/10/2008-
003	019	3136190	IGNITION PLUG	27/10/2008-
003	020	32T0210	SPARK IGNITION	27/10/2008-
003	021	3164200	DEVICE GUARD	27/10/2008-
003	022	36Q0030	BICONE Ø12X8	27/10/2008-
003	023	36Q0050	BICONE NUT Ø 12	27/10/2008-
003	024	36Q1000	CLOSING BICONE NUT	27/10/2008-
003	025	36Q1040	Ø4 BICONE Ø4	27/10/2008-
003	026	36Q1110	LOCK NUT 3/8"	27/10/2008-
004	001	3032440	WATER SPOUT F3/8"	27/10/2008-
004	002	3059590	GROMMET	27/10/2008-
004	003	3076870	FLEXIBLE PIPE MINIREEL	27/10/2008-
004	004	3114900	FLEXIBLE PIPE MG1/2" L=800	27/10/2008-
004	005	131AA12	RUBBER HOSE Ø17Ø10 X H²O	27/10/2008-
004	006	3004170	VALVE	27/10/2008-

Page	Pos	Code	Description	Info
004	007	3017920	"NIPPLE M 1/2""	11/04/2011-
004	008	3019770	RUBBER HOLDER	27/10/2008-
004	009	3029440	WATER SPOUT	27/10/2008-
004	010	3032670	"SOLENOID VALVE 3/4"" 1IN-2OUT"	27/10/2008-
004	011	3032690	BRACKET	27/10/2008-
004	012	3067460	DRAIN PIPE (U.M.=mt)	27/10/2008-
004	014	3108520	FLANGE	27/10/2008-
004	015	3108530	PIPE	27/10/2008-
004	016	3108590	GASKET	27/10/2008-
004	018	3108621	FRAME	29/06/2012-
004	019	3108631	PLUG	29/06/2012-
004	020	3108640	O-RING 3350	27/10/2008-
004	021	3111521	BASE	29/06/2012-
004	022	3142260	DRAIN PIPE 1"	27/10/2008-
004	023	3121801	T JOINT 1"1/2	29/10/2015-
004	024	3121810	REDUCTION 1" 1/2-1"	27/10/2008-
004	025	3121830	ELBOW 1"1/2	27/10/2008-
004	026	3121850	PIPE UNION 1" 1/2"	27/10/2008-
004	027	3121870	REDUCTION 1"-1" 1/2	27/10/2008-
004	028	3229940	ELBOW 1"	02/07/2013-
004	029	3121990	PIPE 1"1/2 x142mm	27/10/2008-
004	030	3122040	MAX WATER LEVEL SENSOR	27/10/2008-
004	031	3122050	MEDIUM WATER LEVEL SENSOR	27/10/2008-
004	032	3122060	MIN WATER LEVEL SENSOR	27/10/2008-
004	033	3123360	COCK 1" 1/2"	27/10/2008-
004	034	3124960	"Y" JOINT 1"1/2	27/10/2008-
004	035	3126950	MOTOR F04 230V 35S OM S/R	27/10/2008-
004	036	3134690	INOX BONNET	27/10/2008-
004	037	3139630	PIPE 1 1/2" x 90mm	27/10/2008-
004	038	3153631	UNION	14/11/2011-
004	039	33M0350	PIPE	27/10/2008-
004	040	33M0800	PIPE	27/10/2008-
004	041	35X3830	DRAIN PIPE	27/10/2008-
004	042	35Z3490	SPACER PIPE	27/10/2008-
004	043	36E3461		30/09/2011-
004	044	36Q1110	LOCK NUT 3/8"	27/10/2008-
004	045	3120090	WASHER Ø7.3 Ø4.3 GROWER	15/09/2009-
004	046	3120100	WASHER	15/09/2009-
004	047	3110120	M4 inox Plated nut	15/09/2009-
004	048	3168500	METALLIC HOSE 1220mm	15/09/2009-
004	049	3198720	BASE	11/04/2011-
004	050	3167880	BAND CLAMP Ø52	30/09/2011-
004	051	3152970	PIPE	30/09/2011-
005	001	3114590	NUT M5	27/10/2008-
005	002	3142170	SPACER	27/10/2008-
005	003	3142220	BASKET	27/10/2008-
005	004	6300806	BASKET LOCK BRACKET ASSEMBLY	01/02/2011-
005	005	3103611	RIGHT SHAFT	19/05/2009-
005	006	3103621	LEFT SHAFT	19/05/2009-
005	007	3110780	FEATHER	27/10/2008-
005	008	3117620	STEEL NUT M10X8	27/10/2008-

Page	Pos	Code	Description	Info
005	010	3119940	BEARING	19/05/2009-
005	011	3119950	HAIRPIN	27/10/2008-
005	012	3124921	STOP RING	19/05/2009-
005	013	3124970	SCREW	27/10/2008-
005	014	3128810	STEEL WASHER Ø17.5	27/10/2008-
005	015	3143820	Ø10.5 GROWER SPEED REDUCER	27/10/2008-
005	016	3232650	SCREEW M5X30	21/02/2013-
005	018	31W0280	SCREW	27/10/2008-
005	019	32W3340	MICROSWITCH	27/10/2008-
005	020	3120080	STEEL WASHER	27/10/2008-
005	021	3124260	O RING	19/05/2009-
005	022	3124270	O RING	19/05/2009-
005	024	3148500	LEFT BEARING	19/05/2009-
005	027	3193340	BUSHING	01/02/2011-
005	028	3195700	WHEEL	26/02/2013-
006	001	3008020	GROMMET	27/10/2008-
006	002	3030990	SCREW M6X16	27/10/2008-
006	003	3038640	RELAY 230V 50/60Hz	27/10/2008-
006	004	3107470	RELAY	27/10/2008-
006	005	3110020	NUT	27/10/2008-
006	006	6300858	LIQUID ELECTONIC CONTROL ASSEMBLY	27/10/2008-
006	007	6300723	ELECTRONIC CARD	27/10/2008-
006	008	3116850	DISPLAY ELECTRONIC CARD	27/10/2008-
006	009	3117170	TRANSFORMER	27/10/2008-
006	010	3120520	WASHER Ø18 Ø6.3=1.5	27/10/2008-
006	011	3121670	GUIDE	27/10/2008-
006	012	3121720	SIDE GUIDE	27/10/2008-
006	013	3143830	SPACER	27/10/2008-
006	014	3122411	PLASTIC COATED PANEL	27/10/2008-
006	015	3122760	RED SWITCH	27/10/2008-
006	016	3123380	BUZZER	27/10/2008-
006	017	3134610	RELAY 24V 50/60Hz	27/10/2008-
006	018	31E0020	SCREW	27/10/2008-
006	019	3189640	FUSE 5X20 630mA - 60Hz CPA	27/10/2008-
006	019	3201540	FUSE 5X20	27/10/2008-
006	020	32D0171	TERMINAL BOARD	27/10/2008-
006	021	32D0870	TERMINAL CLAMP	27/10/2008-
006	022	32D1730	FUSE TERMINAL	27/10/2008-
006	023	32D1740	BOARD TERMINAL	27/10/2008-
006	024	32D1770	FAIRLEAD	27/10/2008-
006	025	32V6620	RELAY + SPRING PLINTH	27/10/2008-
006	026	32W3300	BLACK SWITCH	27/10/2008-
006	027	32W3310	SUPPORT BASE	27/10/2008-
006	028	32W3320	AUXILIARY CONTACT N.O.	27/10/2008-
006	029	32W3330	AUXILIARY CONTACT N.C.	27/10/2008-
006	030	32X0130	GROMMET Ø29-Ø37	27/10/2008-
006	031	32X0140	GROMMET Ø13,5-Ø25	27/10/2008-
006	032	32X0200	GROMMET Ø7.5-Ø11.5	27/10/2008-
006	033	3153631	UNION	14/11/2011-
006	034	36G3680	BUSHING Ø 8	27/10/2008-
006	035	37Q4030	HEAT. ELEM. PROTECTION	27/10/2008-

Page	Pos	Code	Description	Info
006	036	3010161	UNDER VACUUM PROBE CONNECTOR	09/05/2012-

vsezip.ru

+7(812)987-08-81