

Зип Общепит

vsezip.ru

+7(812)987-08-81



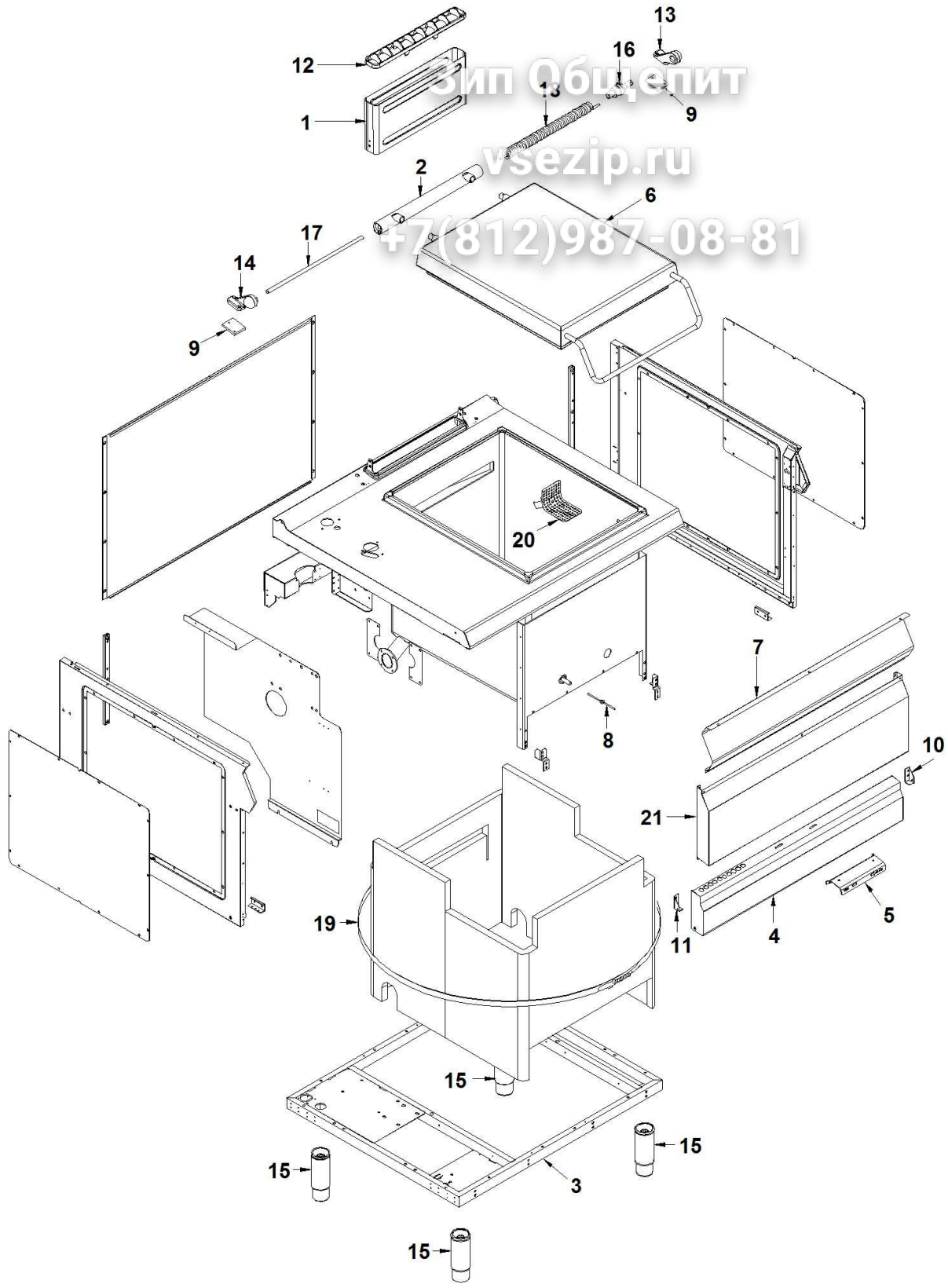
**10CP1IA**

**Edition 20151029-**

Зип Общепит

vsezip.ru

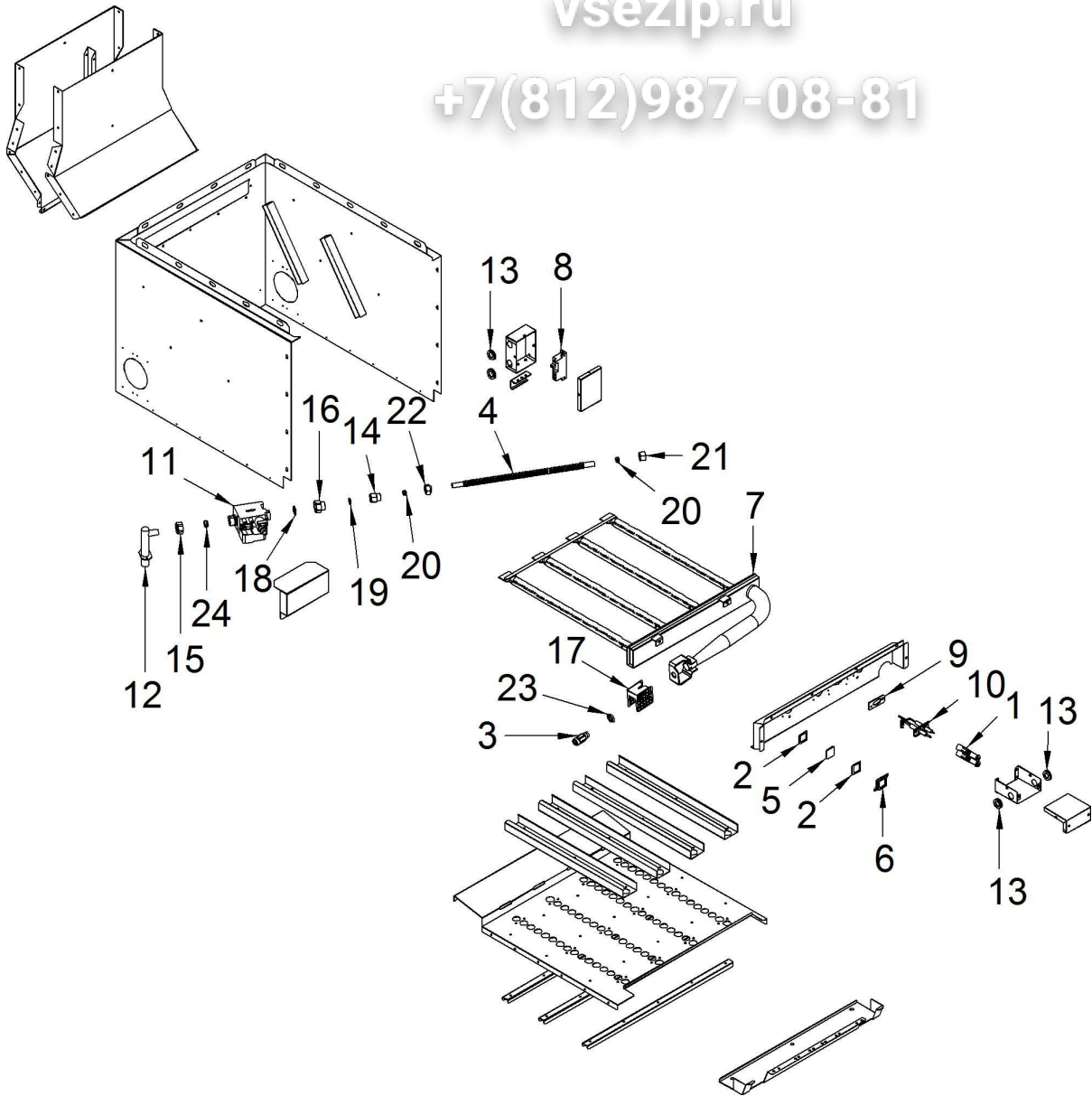
+7(812)987-08-81



Зип Общепит

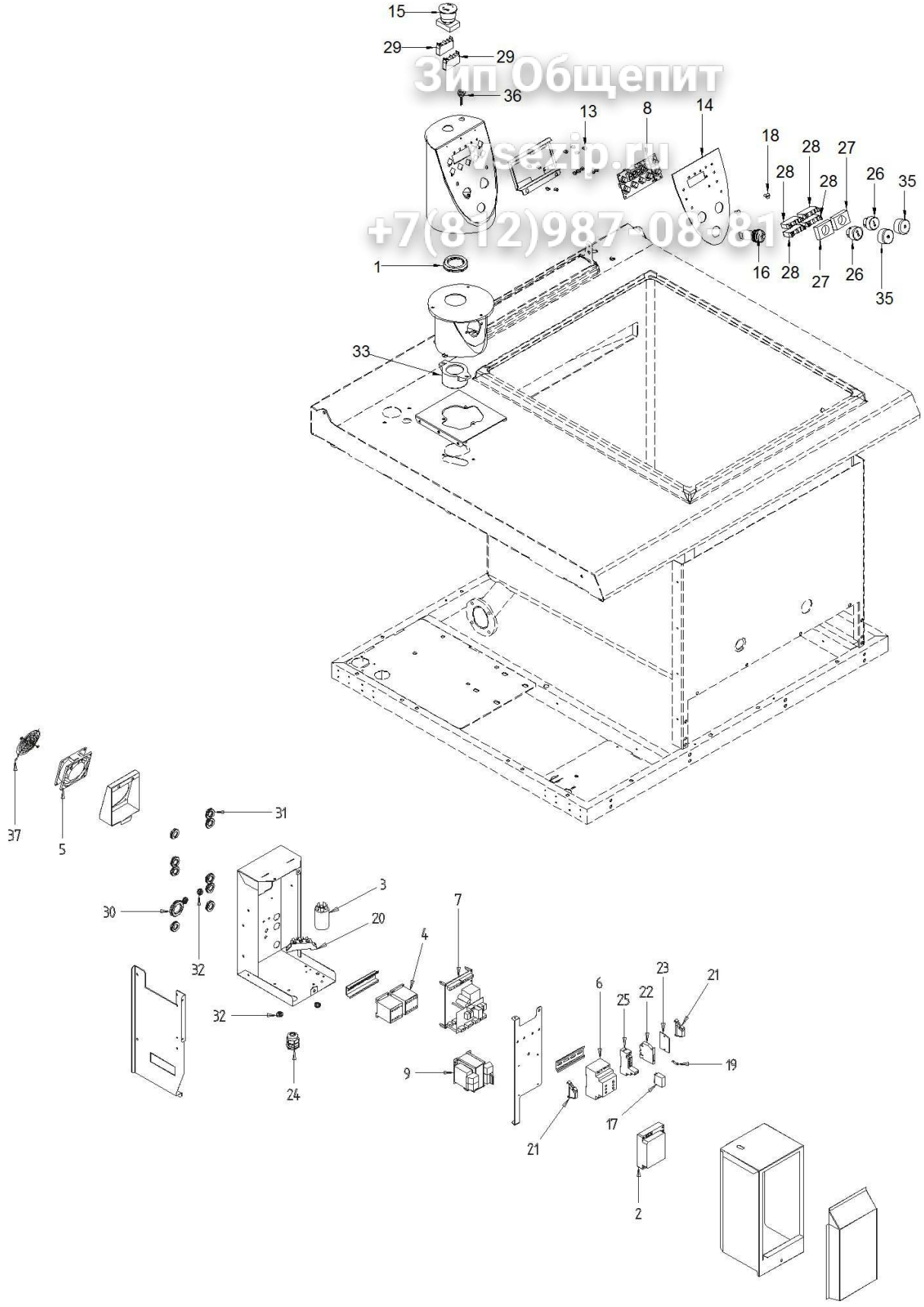
vsezip.ru

+7(812)987-08-81



Зип Общежит

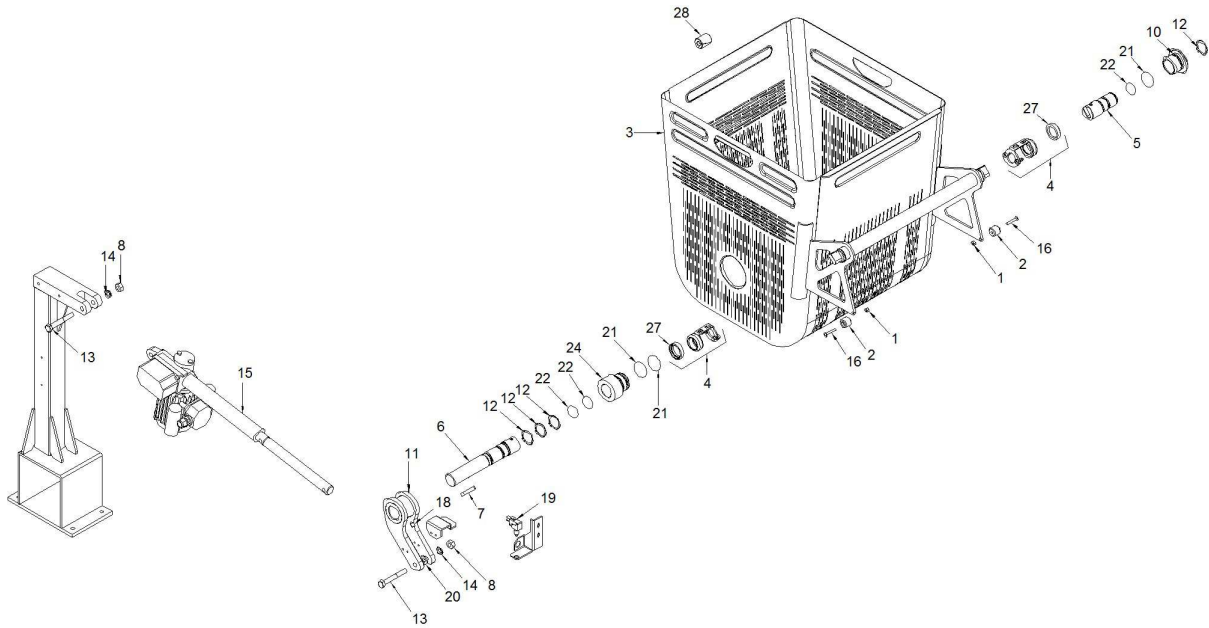
zip.ru  
+7(812)987-08-81



Зип Общепит

vsezip.ru

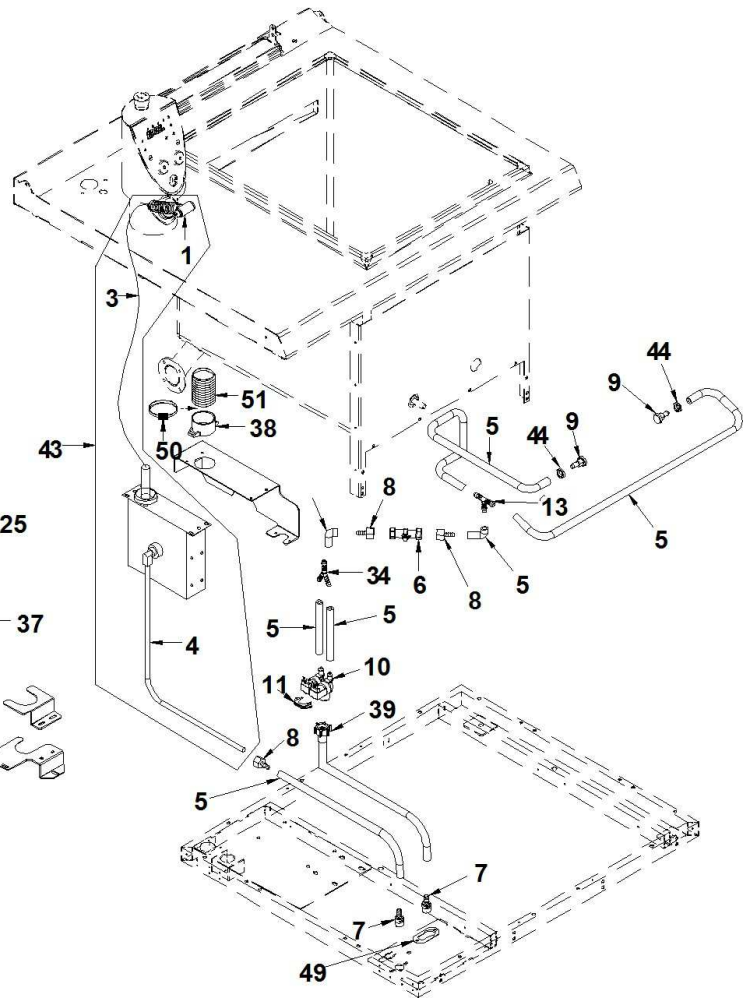
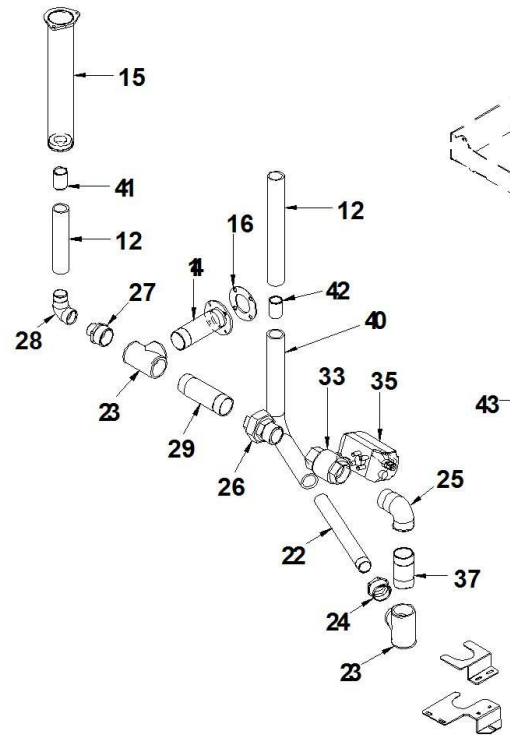
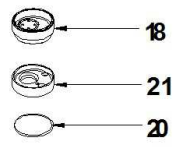
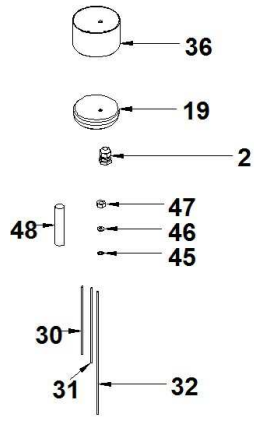
+7(812)987-08-81



Зип Ощепит

vsezip.ru

+7(812)987-08-81



| Page | Pos | Code    | Description              | Info        |
|------|-----|---------|--------------------------|-------------|
| 002  | 001 | 30Q1800 | EXT FLUE ASS. Y          | 10/02/2012- |
| 002  | 002 | 3107970 | COVER HINGE              | 10/02/2012- |
| 002  | 003 | 3113921 | BASE                     | 10/02/2012- |
| 002  | 004 | 3192110 | LOWER FRONT PANEL        | 10/02/2012- |
| 002  | 005 | 3195360 | HANDLE                   | 10/02/2012- |
| 002  | 006 | 3121690 | COVER ASSEMBLY           | 10/02/2012- |
| 002  | 007 | 3192100 | CONTROL PANEL            | 10/02/2012- |
| 002  | 008 | 32V5750 | THERMAL RESISTOR, PT1000 | 10/02/2012- |
| 002  | 009 | 35R0510 | FLAT BRACKET             | 10/02/2012- |
| 002  | 010 | 35R3610 | RIGHT-HAND HINGE         | 10/02/2012- |
| 002  | 011 | 35R7260 | LEFT HAND HINGE          | 10/02/2012- |
| 002  | 012 | 36C1310 | FLUE GUARD               | 10/02/2012- |
| 002  | 013 | 3137920 | RH HINGE SUPPORT         | 10/02/2012- |
| 002  | 014 | 3137910 | LH HINGE SUPPORT         | 10/02/2012- |
| 002  | 015 | 36C2970 | STAINLESS STEEL FOOT     | 10/02/2012- |
| 002  | 016 | 36G8920 | SPRING PIN               | 10/02/2012- |
| 002  | 017 | 36H0260 | HINGE SHAFT              | 10/02/2012- |
| 002  | 018 | 36H0330 | SPRING                   | 10/02/2012- |
| 002  | 019 | 36E0780 | HOSE CLAMP               | 10/02/2012- |
| 002  | 020 | 3158540 | TANK FILTER              | 10/02/2012- |
| 002  | 021 | 3192090 | LOWER FRONT PANEL        | 10/02/2012- |
| 003  | 001 | 3253680 | PLUG PROTECTION          | 10/09/2013- |
| 003  | 002 | 3031901 | GASKET                   | 10/02/2012- |
| 003  | 003 | 3035340 | NOZZLE HOUSING           | 10/02/2012- |
| 003  | 004 | 3066040 | FLEXIBLE PIPE DN12 L=400 | 10/02/2012- |
| 003  | 005 | 3070970 | SPY-HOLE                 | 10/02/2012- |
| 003  | 006 | 3070980 | SUPPORT GLASS            | 10/02/2012- |
| 003  | 007 | 3098610 | BURNER 24KW              | 10/02/2012- |
| 003  | 008 | 3107650 | SPARK IGNITION           | 10/02/2012- |
| 003  | 009 | 3139672 | DEVICE GASKET            | 10/02/2012- |
| 003  | 010 | 3182310 | IGNITION PLUG            | 10/02/2012- |
| 003  | 011 | 3187230 | GAS VALVE                | 10/02/2012- |
| 003  | 012 | 3187260 | GAS MANIFLOID ASS. Y     | 10/02/2012- |
| 003  | 013 | 32X0140 | GROMMET Ø13,5-Ø25        | 10/02/2012- |
| 003  | 014 | 33Q3140 | SLEEVE 1/2"              | 10/02/2012- |
| 003  | 015 | 33Q4830 | "OGIVAL RETAINER         | 10/02/2012- |
| 003  | 016 | 3215030 | SLEEVE F3/4 M1/2         | 14/06/2013- |
| 003  | 017 | 35V7170 | NOZZLE GUARD             | 10/02/2012- |
| 003  | 018 | 36E3600 | WASHER                   | 10/02/2012- |
| 003  | 019 | 36E3610 | WASHER                   | 10/02/2012- |
| 003  | 020 | 36Q0030 | BICONE Ø12X8             | 10/02/2012- |
| 003  | 021 | 36Q0050 | BICONE NUT Ø 12          | 10/02/2012- |
| 003  | 022 | 36Q0590 | CLOSING BICONE NUT Ø 12  | 10/02/2012- |
| 003  | 023 | 36Q1110 | LOCK NUT 3/8"            | 10/02/2012- |
| 003  | 024 | 36Q1820 | OGIVAL GASKET, 16        | 10/02/2012- |
| 004  | 001 | 3008020 | GROMMET                  | 10/02/2012- |
| 004  | 002 | 3128260 | COMBUSTION CONTROL       | 10/02/2012- |
| 004  | 003 | 3172690 | LC FILTER 250V-10A       | 10/02/2012- |
| 004  | 004 | 3107470 | RELAY                    | 10/02/2012- |
| 004  | 005 | 3205930 | FAN                      | 10/02/2012- |
| 004  | 006 | 3115190 | LIQUID ELECTONIC CONTROL | 10/02/2012- |

| Page | Pos | Code    | Description                  | Info        |
|------|-----|---------|------------------------------|-------------|
| 004  | 007 | 3192360 | PCB                          | 10/02/2012- |
| 004  | 008 | 6300724 | DISPLAY ELECTRONIC CARD      | 10/02/2012- |
| 004  | 009 | 3117170 | TRANSFORMER                  | 10/02/2012- |
| 004  | 013 | 3143830 | SPACER                       | 10/02/2012- |
| 004  | 014 | 3122411 | PLASTIC COATED PANEL         | 10/02/2012- |
| 004  | 015 | 3122760 | RED SWITCH                   | 10/02/2012- |
| 004  | 016 | 3123380 | BUZZER                       | 10/02/2012- |
| 004  | 017 | 3134610 | RELAY 24V 50/60Hz            | 10/02/2012- |
| 004  | 018 | 31E0020 | SCREW                        | 10/02/2012- |
| 004  | 019 | 3201540 | FUSE 5X20                    | 10/02/2012- |
| 004  | 020 | 32D0171 | TERMINAL BOARD               | 10/02/2012- |
| 004  | 021 | 32D0870 | TERMINAL CLAMP               | 10/02/2012- |
| 004  | 022 | 32D1730 | FUSE TERMINAL BOARD          | 10/02/2012- |
| 004  | 023 | 32D1740 | TERMINAL                     | 10/02/2012- |
| 004  | 024 | 32D1770 | FAIRLEAD                     | 10/02/2012- |
| 004  | 025 | 32V6620 | RELAY + SPRING PLINTH        | 10/02/2012- |
| 004  | 026 | 32W3300 | BLACK SWITCH                 | 10/02/2012- |
| 004  | 027 | 32W3310 | SUPPORT BASE                 | 10/02/2012- |
| 004  | 028 | 32W3320 | AUXILIARY CONTACT N.O.       | 10/02/2012- |
| 004  | 029 | 32W3330 | AUXILIARY CONTACT            | 10/02/2012- |
| 004  | 030 | 32X0130 | N.C. GROMMET Ø29-Ø37         | 10/02/2012- |
| 004  | 031 | 32X0140 | GROMMET Ø13,5-Ø25            | 10/02/2012- |
| 004  | 032 | 32X0200 | GROMMET Ø7.5-Ø11.5           | 10/02/2012- |
| 004  | 033 | 3153631 | UNION                        | 10/02/2012- |
| 004  | 035 | 37Q4030 | HEAT. ELEM. PROTECTION       | 10/02/2012- |
| 004  | 036 | 3010161 | UNDER VACUUM PROBE CONNECTOR | 10/02/2012- |
| 004  | 037 | 3148060 | PROTECT GRID                 | 10/02/2012- |
| 005  | 001 | 3114590 | NUT M5                       | 01/03/2008- |
| 005  | 002 | 3142170 | SPACER                       | 01/03/2008- |
| 005  | 003 | 3103430 | BASKET                       | 01/03/2008- |
| 005  | 004 | 6300806 | BASKET LOCK BRACKET ASSEMBLY | 01/02/2011- |
| 005  | 005 | 3103611 | RIGHT SHAFT                  | 19/05/2009- |
| 005  | 006 | 3103621 | LEFT SHAFT                   | 19/05/2009- |
| 005  | 007 | 3110780 | FEATHER                      | 01/03/2008- |
| 005  | 008 | 3117620 | STEEL NUT M10X8              | 01/03/2008- |
| 005  | 010 | 3119940 | BEARING                      | 19/05/2009- |
| 005  | 011 | 3119950 | HAIRPIN                      | 01/03/2008- |
| 005  | 012 | 3124921 | STOP RING                    | 19/05/2009- |
| 005  | 013 | 3124970 | SCREW                        | 01/03/2008- |
| 005  | 014 | 3128810 | STEEL WASHER Ø17.5           | 01/03/2008- |
| 005  | 015 | 3143820 | Ø10.5 GROWER SPEED REDUCER   | 17/01/2012- |
| 005  | 016 | 3232650 | SCREEW M5X30                 | 21/02/2013- |
| 005  | 018 | 31W0280 | SCREW                        | 01/03/2008- |
| 005  | 019 | 32W3340 | MICROSWITCH                  | 01/03/2008- |
| 005  | 020 | 3120080 | STEEL WASHER                 | 01/03/2008- |
| 005  | 021 | 3124260 | O RING                       | 19/05/2009- |
| 005  | 022 | 3124270 | O RING                       | 19/05/2009- |
| 005  | 024 | 3148500 | LEFT BEARING                 | 19/05/2009- |
| 005  | 027 | 3193340 | BUSHING                      | 01/02/2011- |
| 005  | 028 | 3195700 | WHEEL                        | 26/02/2013- |
| 006  | 001 | 3032440 | WATER SPOUT F3/8"            | 01/03/2008- |



| Page | Pos | Code    | Description                           | Info        |
|------|-----|---------|---------------------------------------|-------------|
| 006  | 002 | 3059590 | GROMMET                               | 01/03/2008- |
| 006  | 003 | 3076870 | FLEXIBLE PIPE MINIREEL                | 01/03/2008- |
| 006  | 004 | 3114900 | FLEXIBLE PIPE MG1/2" x 800            | 01/03/2008- |
| 006  | 005 | 131AA12 | RUBBER HOSE Ø17Ø10 X H <sup>2</sup> O | 01/03/2008- |
| 006  | 006 | 3004170 | VALVE                                 | 01/03/2008- |
| 006  | 007 | 3017920 | "NIPPLE M 1/2""                       | 11/04/2011- |
| 006  | 008 | 3019770 | RUBBER HOLDER                         | 01/03/2008- |
| 006  | 009 | 3029440 | WATER SPOUT                           | 01/03/2008- |
| 006  | 010 | 3032670 | "SOLENOID VALVE 3/4"" 1IN-2OUT"       | 01/03/2008- |
| 006  | 011 | 3032690 | BRACKET                               | 01/03/2008- |
| 006  | 012 | 3067460 | DRAIN PIPE (U.M.=mt)                  | 01/03/2008- |
| 006  | 014 | 3108520 | FLANGE                                | 01/03/2008- |
| 006  | 015 | 3108530 | PIPE                                  | 01/03/2008- |
| 006  | 016 | 3108590 | GASKET                                | 01/03/2008- |
| 006  | 018 | 3108621 | FRAME                                 | 29/06/2012- |
| 006  | 019 | 3108631 | PLUG                                  | 29/06/2012- |
| 006  | 020 | 3108640 | O-RING 3350                           | 01/03/2008- |
| 006  | 021 | 3111521 | BASE                                  | 29/06/2012- |
| 006  | 022 | 3121790 | DRAIN PIPE 1"                         | 01/03/2008- |
| 006  | 023 | 3121801 | T JOINT 1"1/2                         | 29/10/2015- |
| 006  | 024 | 3121810 | REDUCTION 1" 1/2-1"                   | 01/03/2008- |
| 006  | 025 | 3121830 | ELBOW 1"1/2                           | 01/03/2008- |
| 006  | 026 | 3121850 | PIPE UNION 1" 1/2"                    | 01/03/2008- |
| 006  | 027 | 3121870 | REDUCTION 1"-1" 1/2                   | 01/03/2008- |
| 006  | 028 | 3229940 | ELBOW 1"                              | 02/07/2013- |
| 006  | 029 | 3121990 | PIPE 1"1/2 x142mm                     | 01/03/2008- |
| 006  | 030 | 3122040 | MAX WATER LEVEL SENSOR                | 01/03/2008- |
| 006  | 031 | 3122050 | MEDIUM WATER LEVEL SENSOR             | 01/03/2008- |
| 006  | 032 | 3122060 | MIN WATER LEVEL SENSOR                | 01/03/2008- |
| 006  | 033 | 3123360 | COCK 1" 1/2"                          | 01/03/2008- |
| 006  | 034 | 3124960 | "Y" JOINT 1"1/2                       | 01/03/2008- |
| 006  | 035 | 3126950 | MOTOR F04 230V 35S OM S/R             | 01/03/2008- |
| 006  | 036 | 3134690 | INOX BONNET                           | 01/03/2008- |
| 006  | 037 | 3139630 | PIPE 1 1/2" x 90mm                    | 01/03/2008- |
| 006  | 038 | 3153631 | UNION                                 | 14/11/2011- |
| 006  | 039 | 33M0350 | PIPE                                  | 01/03/2008- |
| 006  | 040 | 33M0800 | PIPE                                  | 01/03/2008- |
| 006  | 041 | 35X3830 | DRAIN PIPE                            | 01/03/2008- |
| 006  | 042 | 35Z3490 | SPACER PIPE                           | 01/03/2008- |
| 006  | 043 | 36E3461 |                                       | 30/09/2011- |
| 006  | 044 | 36Q1110 | LOCK NUT 3/8"                         | 01/03/2008- |
| 006  | 045 | 3120090 | WASHER Ø7.3 Ø4.3 GROWER               | 15/09/2009- |
| 006  | 046 | 3120100 | WASHER                                | 15/09/2009- |
| 006  | 047 | 3110120 | M4 inox Plated nut                    | 15/09/2009- |
| 006  | 048 | 3168500 | METALLIC HOSE 1220mm                  | 15/09/2009- |
| 006  | 049 | 3198720 | BASE                                  | 11/04/2011- |
| 006  | 050 | 3167880 | BAND CLAMP Ø52                        | 30/09/2011- |
| 006  | 051 | 3152970 | PIPE                                  | 30/09/2011- |