

Зип Общепит

vsezip.ru

+7(812)987-08-81



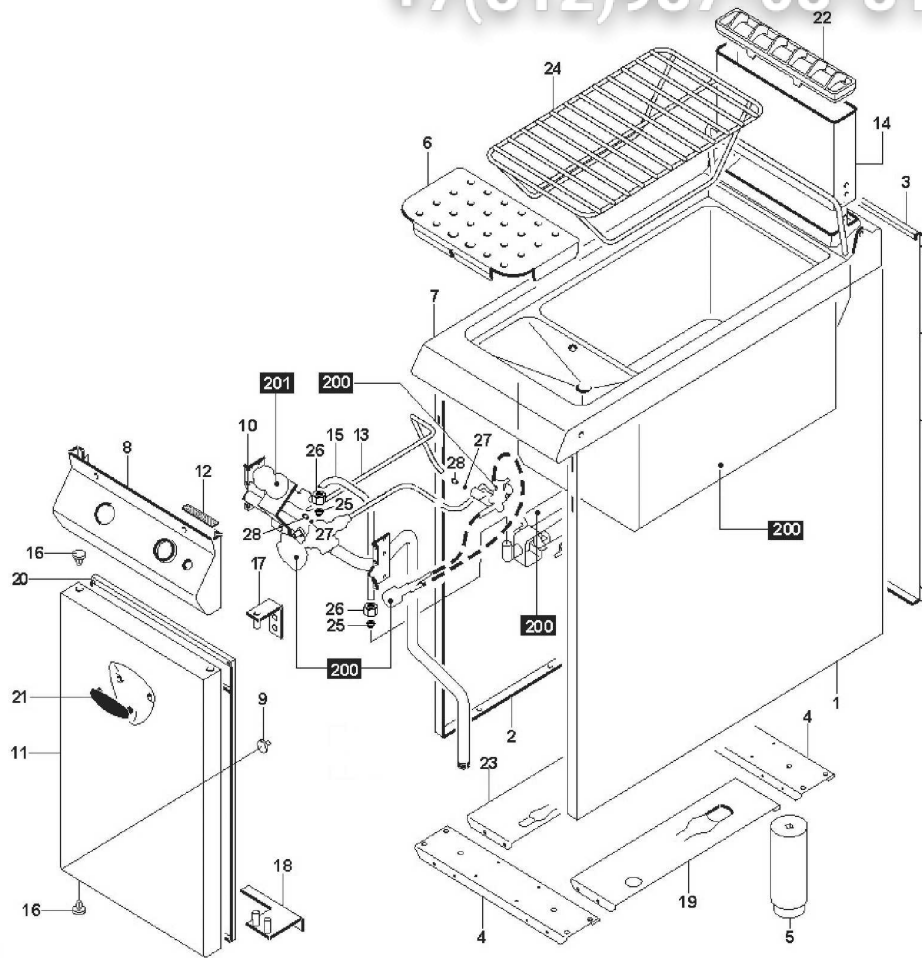
**0G1CP1G**

**Edition 20140506-**

Зип Общепит

vsezip.ru

+7(812)987-08-81

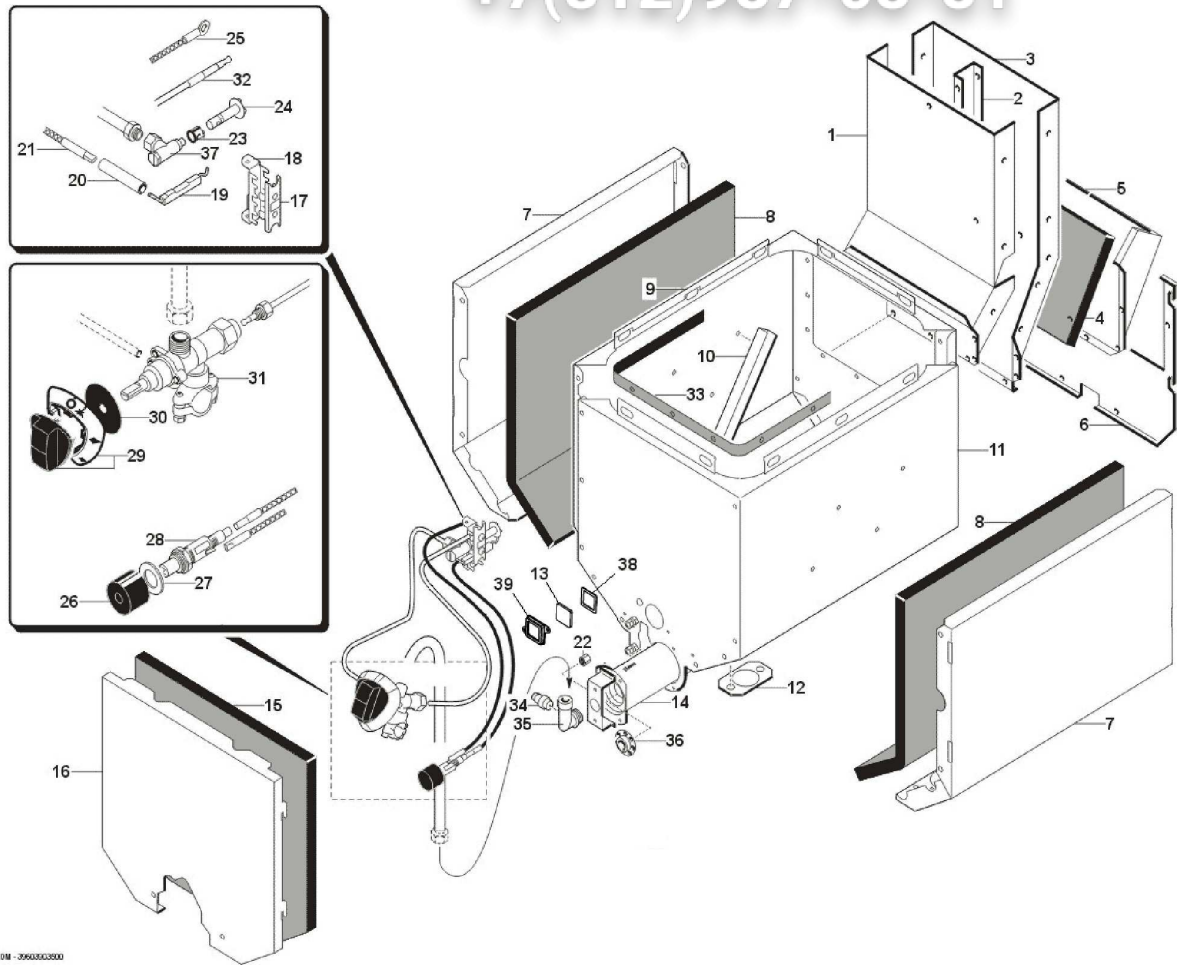


DN-303340

Зип Общепит

vsezip.ru

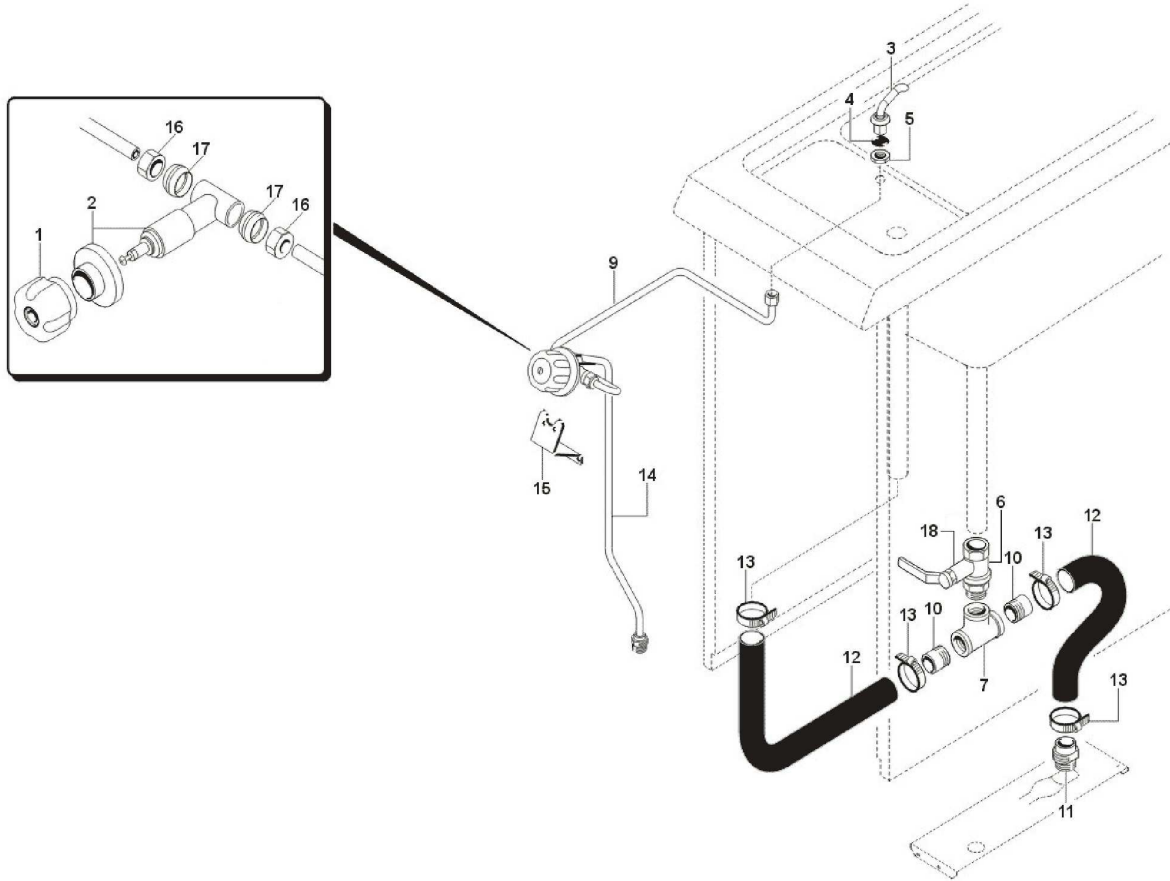
+7(812)987-08-81



Зип Общепит

vsezip.ru

+7(812)987-08-81



Page	Pos	Code	Description	Info
002	001	35H3101	RH PANEL	07/10/2003-
002	002	35H3091	LH PANEL	07/10/2003-
002	003	35E3100	REAR PANEL 350	01/06/2002-
002	004	35U8032	SECTION 342X75X18	07/10/2005-
002	005	36C5360	4 FEETS ASS.Y	01/06/2002-
002	006	35N4970	OVERFLOW TOP	01/06/2002-
002	007	6300571	GAS TOP C/WELL ASS. Y 700X350X622	02/06/2002-
002	008	30A4950	UPPER CONTROL BOARD	01/06/2002-
002	009	3600090	MAGNET PLATE	01/06/2002-
002	010	30Z2950	GAS MANIFOLD ASS. Y	01/06/2002-
002	011	35G9251	DOOR GAMMA	06/05/2014-
002	012	137AA04	GASKET	01/06/2002-
002	013	3079320	FLEXIBLE PIPE L=750	05/10/2006-
002	014	30Q1750	EXT FLUE ASS. Y	01/06/2002-
002	015	3014320	FLEXIBLE PIPE DN10 L=400	24/06/2005-
002	016	36Q2000	CAP Ø 6,5	01/06/2002-
002	017	36M7241	UPPER HINGE ASS.Y	01/06/2002-
002	018	36M7290	RH LOWER HINGE ASS. Y	01/06/2002-
002	019	35Y3581	SECTION	01/09/2009-
002	020	35G9240	COUNTER DOOR	01/06/2002-
002	021	36M3400	HANDLE	01/06/2002-
002	022	36C4780	FLUE GUARD	01/06/2002-
002	023	35Y3591	SECTION	11/06/2004-
002	024	36A5260	BOTTOM NET	01/06/2002-
002	025	36Q0080	BICONE Ø 10X6.5	24/06/2005-
002	026	36Q0830	BICONE NUT Ø 10	24/06/2005-
002	027	36Q1040	BICONE Ø4	05/10/2006-
002	028	36Q1000	CLOSING BICONE NUT Ø4	05/10/2006-
002	200	M010020	M.CONB.CHAMBER COMPL."CP"	01/06/2002-
002	201	M010030	M.WATER-DRAIN	01/06/2002-
003	001	35E3880	FLUE FRONT PLATE	01/06/2002-
003	002	35E3960	SPACER	01/06/2002-
003	003	35E3870	REAR FLUE	01/06/2002-
003	004	37Q4660	INSULANTING PANEL	01/06/2002-
003	005	35E3920	REAR INS. PAN. COVERING	01/06/2002-
003	006	35E3910	REAR INS. PAN. COVERING	01/06/2002-
003	007	35E3890	INS. PANEL COVERING	01/06/2002-
003	008	37Q4640	INSULANTING PANEL	01/06/2002-
003	009	35E3860	REAR COMBUST. CHAMBER	01/06/2002-
003	010	35R0400	"U" BRACKET	01/06/2002-
003	011	35E3850	FRONT COMBUST. CHAMBER	01/06/2002-
003	012	35P5820	DRAIN PIPE PROTECTION	01/06/2002-
003	013	3070970	SPY-HOLE	01/02/2006-
003	014	34A2430	BURNER 10 KW	01/06/2002-
003	015	37Q4650	INSULANTING PANEL	01/06/2002-
003	016	35E3900	FRONT INS. PAN. COVERING	01/06/2002-
003	017	33A0950	REAR BRACKET	01/06/2002-
003	018	35R1460	SUPPORT	01/06/2002-
003	019	32T0010	IGNITION PLUG	27/01/2010-
003	020	131AA46	HOSE 8'X40	01/06/2002-
003	021	32A2541	CABLE "HF" 900MM	07/10/2009-

Page	Pos	Code	Description	Info
003	022	36Q0980	LOCK NUT M16X1.5	01/06/2002-
003	023	33A0970	RING NUT	01/06/2002-
003	024	33A1081	THREE-FLAME BURNER	24/04/2008-
003	025	32A2530	CABLE 900MM	01/06/2002-
003	026	37Q2100	HEAT. ELEM. PROTECTION	01/06/2002-
003	027	3191100	WASHER Ø31 Ø18,3=2	01/06/2002-
003	028	3166990	PIEZO IGNITION	13/07/2010-
003	029	6300521	GAS CONTROL ASS.Y	01/06/2002-
003	030	3152250	GAS VALVE GUARD Ø 50	01/06/2002-
003	031	33D1930	GAS CONTROL	01/06/2002-
003	032	33A0680	THERMOCOUPLE M8X1X600	01/06/2002-
003	033	157AA01	GASKET	01/06/2002-
003	034	33A0640	PRESSURE TEST POINT	01/06/2002-
003	035	33Q5240	NOZZLE HOLDER ELBOW	01/06/2002-
003	036	36C2762	BUSHING	25/02/2004-
003	037	33A0690	PILOT BURNER BODY Ø0,40	01/06/2002-
003	037	33A0960	PILOT BURNER BODY Ø0,25	01/06/2002-
003	038	3031901	GASKET	01/02/2006-
003	039	3070980	SUPPORT GLASS	01/02/2006-
004	001	3162200	RED RING KNOB	28/01/2009-
004	002	3162191	COCK 3/8"	18/12/2009-
004	003	3003441	WATER SPOUT	02/04/2013-
004	004	37Q1210	"O" RING Ø 18.77"	01/06/2002-
004	005	36Q1110	LOCK NUT 3/8"	01/06/2002-
004	006	33D1980	COCK MF 1"	01/06/2002-
004	007	33Q2030	""""T"" JOINT"	01/06/2002-
004	009	35X5920	WATER PIPE	01/06/2002-
004	010	35X3830	DRAIN PIPE	01/06/2002-
004	011	33Q3510	NIPPLE M 1"G	01/06/2002-
004	012	33M0800	PIPE	01/06/2002-
004	013	3140300	HOSE CLAMP	01/06/2002-
004	014	30Z3300	WATER BURNER PIPE ASS. Y	01/06/2002-
004	015	35Y2760	COCK SUPPORT	01/06/2002-
004	016	36Q0140	BICONE NUT Ø 10	24/03/2003-
004	017	36Q0080	BICONE Ø 10X6.5	24/03/2003-
004	018	3029350	EXTENSION	01/06/2002-