

Зип Общепит

vsezip.ru

+7(812)987-08-81



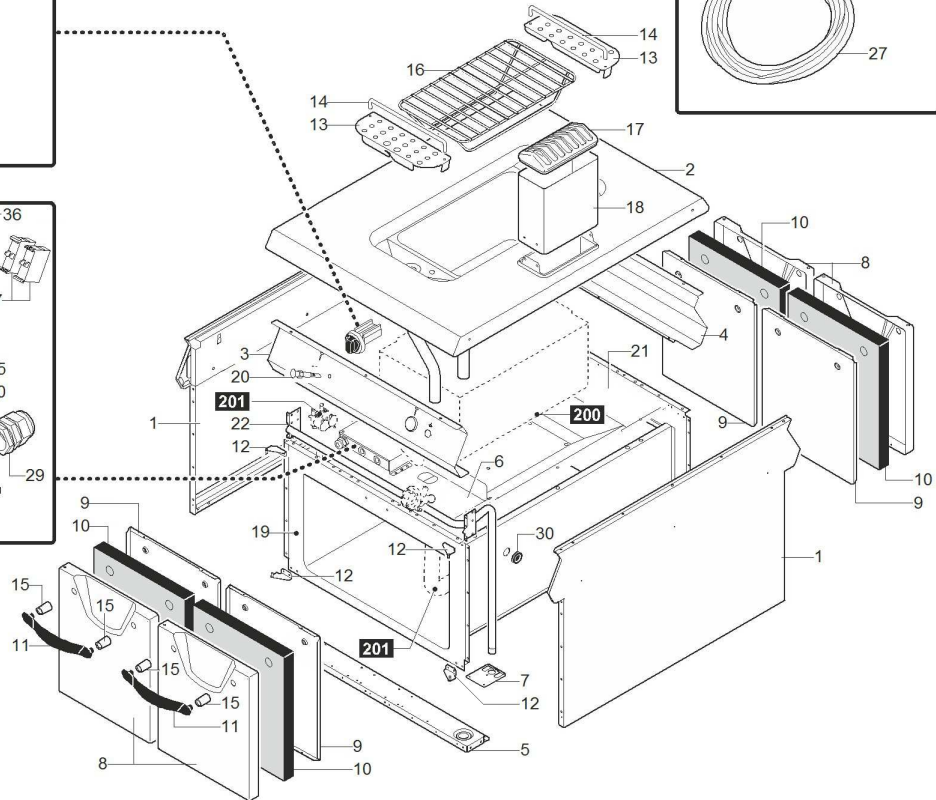
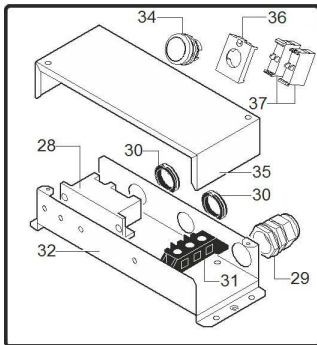
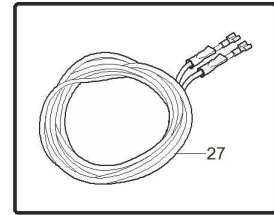
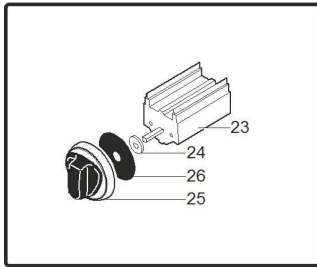
08WCP1GM

Edition 20141017-

Зип Общепит

vsezip.ru

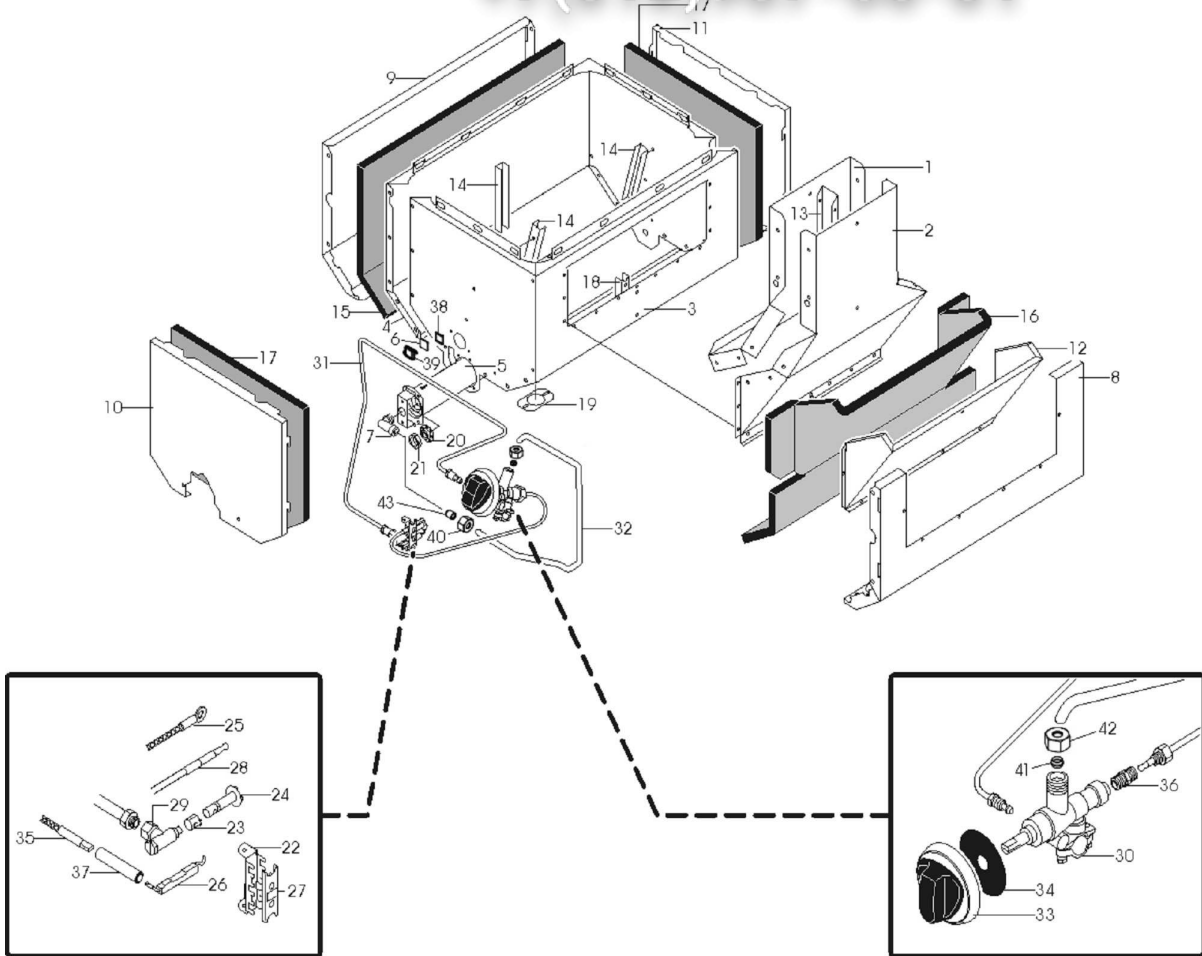
+7(812)987-08-81



Зип Общепит

vsezip.ru

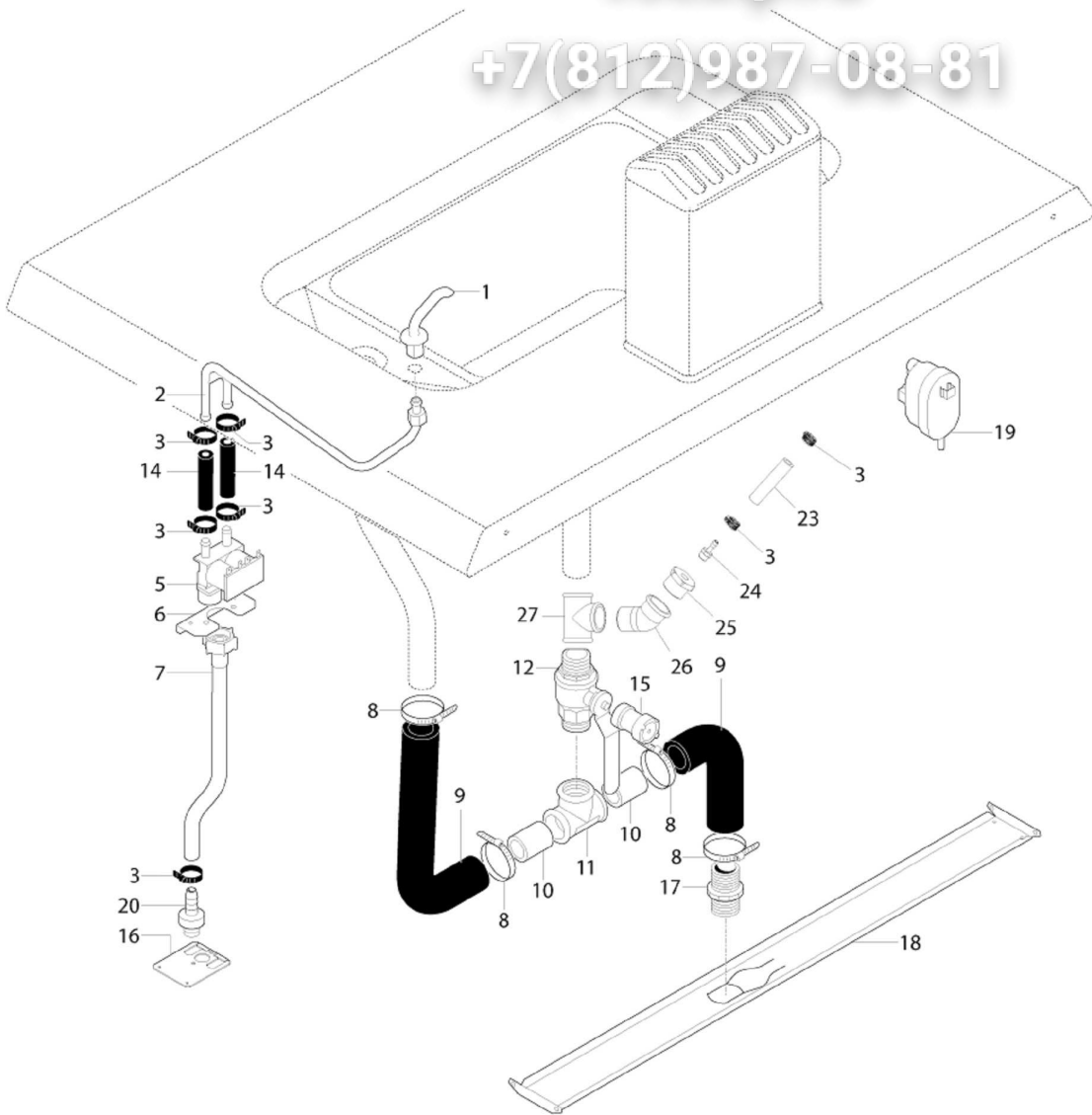
+7(812)987-08-81



Зип Общепит

vsezip.ru

+7(812)987-08-81



| Page | Pos | Code | Description | Info |
|------|-----|---------|---------------------------|-------------|
| 002 | 001 | 3012210 | PANEL RIGHT LEFT | 28/06/2004- |
| 002 | 002 | 3014420 | TOP WELL ASS. Y | 28/06/2004- |
| 002 | 003 | 3018400 | CONTROL PANEL | 28/06/2004- |
| 002 | 004 | 3013740 | UPPER CONTROL BOARD | 28/06/2004- |
| 002 | 005 | 35R0222 | PROFILE OMEGA | 28/06/2004- |
| 002 | 006 | 3014480 | CUP BOARD CEILING | 28/06/2004- |
| 002 | 007 | 3031471 | PLATE | 28/06/2004- |
| 002 | 008 | 3177270 | OVAL DOOR | 19/05/2010- |
| 002 | 009 | 3010510 | COUNTER DOOR | 28/06/2004- |
| 002 | 010 | 3011060 | INSULANTING PANEL | 28/06/2004- |
| 002 | 011 | 3010573 | HANDLE | 04/10/2013- |
| 002 | 012 | 6029110 | HINGE ASSEMBLY | 19/05/2010- |
| 002 | 013 | 3014951 | OVERFLOW TOP | 28/06/2004- |
| 002 | 014 | 3029210 | COUPLER | 28/06/2004- |
| 002 | 015 | 3011050 | SPACER | 28/06/2004- |
| 002 | 016 | 36A4631 | BOTTOM NET | 28/06/2004- |
| 002 | 017 | 3018761 | ENAMELLED FLUE GUARD | 14/01/2013- |
| 002 | 018 | 3010430 | COO. FLUE 800 MM ASS. Y | 28/06/2004- |
| 002 | 019 | 3018160 | UNDERCOMPARTMENT | 28/06/2004- |
| 002 | 020 | 3106710 | GREEN LIGHT 230V | 23/05/2007- |
| 002 | 021 | 3014490 | CUP BOARD CEILING | 28/06/2004- |
| 002 | 022 | 3018340 | GAS MANIFOLD ASS. Y | 28/06/2004- |
| 002 | 023 | 32W2941 | COMMUTATOR | 28/06/2004- |
| 002 | 024 | 3150790 | THERMOSTAT PROTECT. | 28/06/2004- |
| 002 | 025 | 3019901 | KNOB WATER LOAD | 12/02/2008- |
| 002 | 026 | 3152240 | THERMOSTAT PROTECT. | 28/06/2004- |
| 002 | 027 | 3017890 | EL. CABLES | 28/06/2004- |
| 002 | 028 | 32T0210 | SPARK IGNITION DEVICE | 28/06/2004- |
| 002 | 029 | 32D1770 | FAIRLEAD | 28/06/2004- |
| 002 | 030 | 32X0140 | GROMMET Ø13,5-Ø25 | 28/06/2004- |
| 002 | 031 | 32D0171 | TERMINAL BOARD | 28/06/2004- |
| 002 | 032 | 3014960 | SUPPORT | 28/06/2004- |
| 002 | 034 | 3255190 | RED SWITCH | 17/10/2014- |
| 002 | 035 | 3014970 | COVERING PLATE | 28/06/2004- |
| 002 | 036 | 3255200 | SUPPORT | 17/10/2014- |
| 002 | 037 | 3255210 | CONTACT 1NA | 17/10/2014- |
| 002 | 200 | M021540 | M.CONB.CHAMBER COMPL."CP" | 28/06/2004- |
| 002 | 201 | M021550 | M.WATER-DRAIN | 28/06/2004- |
| 003 | 001 | 3014620 | FLUE FRONT PLATE | 28/06/2004- |
| 003 | 002 | 3014610 | REAR FLUE | 28/06/2004- |
| 003 | 003 | 3014560 | FRONT COMBUST. CHAMBER | 28/06/2004- |
| 003 | 004 | 3014570 | REAR COMBUST. CHAMBER | 28/06/2004- |
| 003 | 005 | 3014710 | BURNER 16 KW | 28/06/2004- |
| 003 | 006 | 3070970 | SPY-HOLE | 01/02/2006- |
| 003 | 007 | 33Q3840 | NOZZLE SUPPORT. | 28/06/2004- |
| 003 | 008 | 3014520 | ELBOW FIXING BELT | 28/06/2004- |
| 003 | 009 | 3014530 | FIXING BELT | 28/06/2004- |
| 003 | 010 | 3014590 | FIXING BELT | 28/06/2004- |
| 003 | 011 | 3014600 | FIXING BELT | 28/06/2004- |
| 003 | 012 | 3014760 | FIXING BELT | 28/06/2004- |
| 003 | 013 | 3014770 | SPACER | 28/06/2004- |

| Page | Pos | Code | Description | Info |
|------|-----|---------|------------------------------|-------------|
| 003 | 014 | 35R0400 | "U" BRACKET | 28/06/2004- |
| 003 | 015 | 3014640 | LSX INSULATING PANEL | 28/06/2004- |
| 003 | 016 | 3014650 | INSULANTING PANEL | 28/06/2004- |
| 003 | 017 | 3014580 | INSULANTING PANEL | 28/06/2004- |
| 003 | 018 | 3014750 | U PROFILE | 28/06/2004- |
| 003 | 019 | 35P5820 | DRAIN PIPE PROTECTION | 28/06/2004- |
| 003 | 020 | 36C2762 | BUSHING | 28/06/2004- |
| 003 | 021 | 36Q0980 | LOCK NUT M16X1.5 | 28/06/2004- |
| 003 | 022 | 35R1460 | SUPPORT | 28/06/2004- |
| 003 | 023 | 33A0970 | RING NUT | 28/06/2004- |
| 003 | 024 | 33A1081 | THREE-FLAME BURNER | 24/04/2008- |
| 003 | 025 | 32A2530 | CABLE 900MM | 20/04/2005- |
| 003 | 026 | 3232960 | IGNITION PLUG | 05/11/2013- |
| 003 | 027 | 33A0950 | REAR BRACKET | 28/06/2004- |
| 003 | 028 | 33A1190 | THERMOCOUPLE M9X1X750 | 28/06/2004- |
| 003 | 029 | 33A0690 | PILOT BURNER BODY Ø0,40 | 28/06/2004- |
| 003 | 029 | 33A0960 | PILOT BURNER BODY Ø0,25 | 28/06/2004- |
| 003 | 030 | 33D1991 | GAS CONTROL | 28/06/2004- |
| 003 | 031 | 3020030 | LH PILOT GAS FLAME PIPE | 28/06/2004- |
| 003 | 032 | 3029630 | FLEXIBLE PIPE DN10 L=800 | 13/03/2007- |
| 003 | 033 | 3015731 | GAS CONTROL KNOB | 11/03/2008- |
| 003 | 034 | 3152250 | GAS VALVE GUARD Ø | 28/06/2004- |
| 003 | 035 | 32A2541 | CABLE "HF" 900MM | 05/11/2013- |
| 003 | 036 | 33Q2940 | NIPPLE MM M8-M9 | 28/06/2004- |
| 003 | 037 | 131AA46 | HOSE 8'X40 | 28/06/2004- |
| 003 | 038 | 3031901 | GASKET | 01/02/2006- |
| 003 | 039 | 3070980 | SUPPORT GLASS | 01/02/2006- |
| 003 | 040 | 36Q0610 | BICONE SCREW Ø10 | 13/03/2007- |
| 003 | 041 | 36Q0080 | BICONE Ø 10X6.5 | 13/03/2007- |
| 003 | 042 | 36Q0830 | BICONE NUT Ø 10 | 13/03/2007- |
| 003 | 043 | 36Q1700 | BICONEØ10Ø12X14 | 13/03/2007- |
| 004 | 001 | 3003441 | WATER SPOUT | 02/04/2013- |
| 004 | 002 | 3014240 | WATER BURNER PIPE ASS. Y | 28/06/2004- |
| 004 | 003 | 3140230 | 12/20 PIPE CLAMP | 28/06/2004- |
| 004 | 004 | 0000000 | | 08/03/2006- |
| 004 | 005 | 3014721 | ELECTROMAGNETIC VALVE | 01/04/2010- |
| 004 | 006 | 3017570 | SUPPORT | 28/06/2004- |
| 004 | 007 | 33M0350 | PIPE | 28/06/2004- |
| 004 | 008 | 3140300 | HOSE CLAMP | 28/06/2004- |
| 004 | 009 | 33M0800 | PIPE | 28/06/2004- |
| 004 | 010 | 35X3830 | DRAIN PIPE | 28/06/2004- |
| 004 | 011 | 33Q2030 | """"T"" JOINT" | 28/06/2004- |
| 004 | 012 | 3018420 | VALVE 1" G | 28/06/2004- |
| 004 | 013 | 0000000 | | 08/03/2006- |
| 004 | 014 | 131AA12 | RUBBER HOSEØ17Ø10 | 08/03/2006- |
| 004 | 015 | 3029350 | X H ² O EXTENSION | 28/06/2004- |
| 004 | 016 | 3031471 | PLATE | 28/06/2004- |
| 004 | 017 | 33Q3510 | NIPPLE M 1"G | 28/06/2004- |
| 004 | 018 | 3017580 | SECTION | 28/06/2004- |
| 004 | 019 | 3160100 | PRESSURE-SWI | 05/03/2009- |
| 004 | 020 | 3017920 | "NIPPLE M 1/2""" | 28/06/2004- |

| Page | Pos | Code | Description | Info |
|------|-----|---------|-----------------------|-------------|
| 004 | 021 | 0000000 | | 08/03/2006- |
| 004 | 022 | 0000000 | | 08/03/2006- |
| 004 | 023 | 3070410 | PIPE | 08/03/2006- |
| 004 | 024 | 3007980 | "UNION Ø=7-1/4""G" | 08/03/2006- |
| 004 | 025 | 3067440 | "REDUCING 1" 1/4" MF" | 08/03/2006- |
| 004 | 026 | 3067430 | "ELBOW 45° 1" MF" | 08/03/2006- |
| 004 | 027 | 3067420 | T JOINT | 08/03/2006- |