

Зип Общепит

vsezip.ru

+7(812)987-08-81



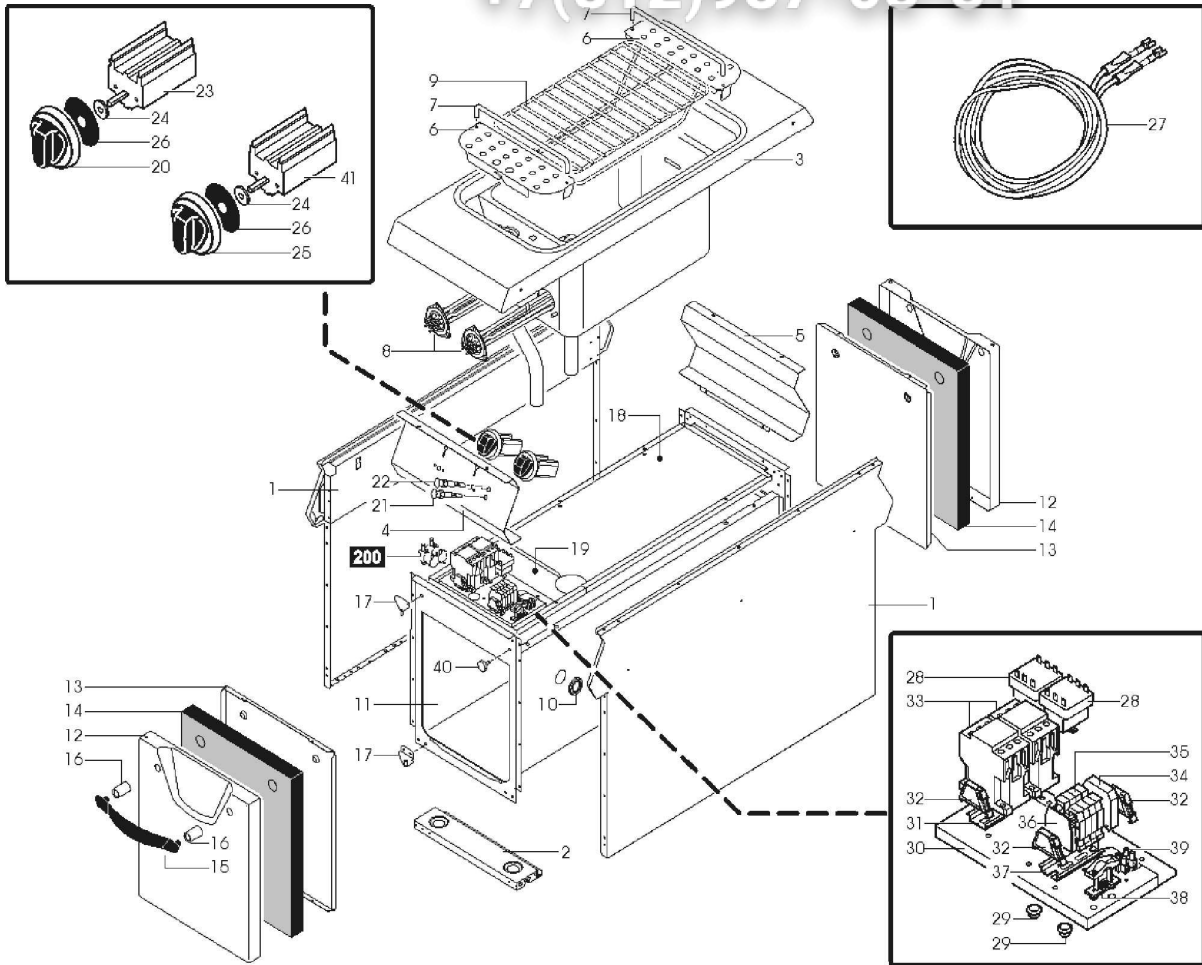
04WCP1EM

Edition 20140324-

Зип Общепит

vsezip.ru

+7(812)987-08-81



Page	Pos	Code	Description	Info
002	001	3012210	PANEL RIGHT LEFT	08/11/2004-
002	002	35Y0132	PROFILE OMEGA	08/11/2004-
002	003	3020721	TOP WELL ASS. Y	21/07/2010-
002	004	3020611	UPPER CONTROL BOARD	08/11/2004-
002	005	3013730	UPPER CONTROL BOARD	08/11/2004-
002	006	3014951	OVERFLOW TOP	08/11/2004-
002	007	3029210	COUPLER	08/11/2004-
002	008	3080640	HEATING EL. 6000W. 230V	08/11/2004-
002	008	32G2310	HEATING EL.	08/11/2004-
002	009	36A4642	BOTTOM NET	19/11/2008-
002	010	32X0130	GROMMET Ø29-Ø37	08/11/2004-
002	011	3020861	UNDERCOMPARTMENT	08/11/2004-
002	012	3177270	OVAL DOOR	19/05/2010-
002	013	3010510	COUNTER DOOR	08/11/2004-
002	014	3011060	INSULANTING PANEL	08/11/2004-
002	015	3010573	HANDLE	04/10/2013-
002	016	3011050	SPACER	08/11/2004-
002	017	6029110	HINGE ASSEMBLY	19/05/2010-
002	018	3020640	CUP BOARD CEILING	08/11/2004-
002	019	3035201	CUP BOARD CEILING	08/03/2006-
002	020	3112000	KNOB WATER LOAD	21/10/2009-
002	021	3106710	GREEN LIGHT 230V	23/05/2007-
002	022	3106730	ORANGE LIGHT 230V	23/05/2007-
002	023	3162280	SELECTOR SWITCH	21/10/2009-
002	024	3150790	THERMOSTAT PROTECT.	08/11/2004-
002	025	3112010	ELECTRIC CONTROL KNOB	21/10/2009-
002	026	3152240	THERMOSTAT PROTECT.	08/11/2004-
002	027	3161020	EL. CABLES	21/10/2009-
002	028	3014261	SAFETY THERMOSTAT	04/05/2009-
002	029	37Q3270	SWITCH COVER	08/11/2004-
002	030	3016750	SUPPORT	08/11/2004-
002	031	35S5420	""OMEGA"" BRACKET"	08/11/2004-
002	032	32D0870	TERMINAL CLAMP	08/11/2004-
002	033	3100920	RELAY BF25 230V- 50/60Hz-32(25)A	22/03/2007-
002	034	32D0970	GROUND TERMINAL	08/11/2004-
002	035	32D0950	LIVE TERMINAL	08/11/2004-
002	036	32D0960	TERMINAL END COVER	08/11/2004-
002	037	32D0540	"OMEGA" BRACKET	08/11/2004-
002	038	32D1820	CABLE CLAMP	08/11/2004-
002	039	32D1450	TERMINAL	08/11/2004-
002	040	3600090	MAGNET PLATE	08/11/2004-
002	041	3161840	SELECTOR SWITCH	21/10/2009-
002	200	M021780	M.ELT. TOP C/WELL	08/11/2004-
003	001	3003441	WATER SPOUT	02/04/2013-
003	002	3020620	WATER BURNER PIPE ASS. Y	08/11/2004-
003	003	3140230	12/20 PIPE CLAMP	08/11/2004-
003	004	0000000		08/03/2006-
003	005	3014721	ELECTROMAGNETIC VALVE	01/04/2010-
003	006	3017570	SUPPORT	08/11/2004-
003	007	33M0350	PIPE	08/11/2004-
003	008	3140300	HOSE CLAMP	08/11/2004-

Page	Pos	Code	Description	Info
003	009	33M0800	PIPE	08/11/2004-
003	010	35X3830	DRAIN PIPE	08/11/2004-
003	011	33Q2030	"T" JOINT	08/11/2004-
003	012	3018420	VALVE 1" G	08/11/2004-
003	013	0000000		08/03/2006-
003	014	131AA12	RUBBER HOSE 17 \times 10 x H ² O	08/03/2006-
003	015	3029350	EXTENSION	08/11/2004-
003	016	3031471	PLATE	08/11/2004-
003	017	33Q3510	NIPPLE M 1"G	08/11/2004-
003	018	3017580	SECTION	08/11/2004-
003	019	3253760	PRESSURE SWITCH	24/01/2014-
003	020	3017920	"NIPPLE M 1/2" "	08/11/2004-
003	021	0000000		08/03/2006-
003	022	0000000		08/03/2006-
003	023	3070410	PIPE	08/03/2006-
003	024	3007980	"UNION \varnothing =7-1/4" "G"	08/03/2006-
003	025	3067440	"REDUCING 1" 1/4" "	08/03/2006-
003	026	3067430	MF" "ELBOW 45° 1" " MF"	08/03/2006-
003	027	3067420	T JOINT	08/03/2006-
003	028	3266990	FILTER	24/03/2014-