

Зип Общепит

vsezip.ru

+7(812)987-08-81



KD40

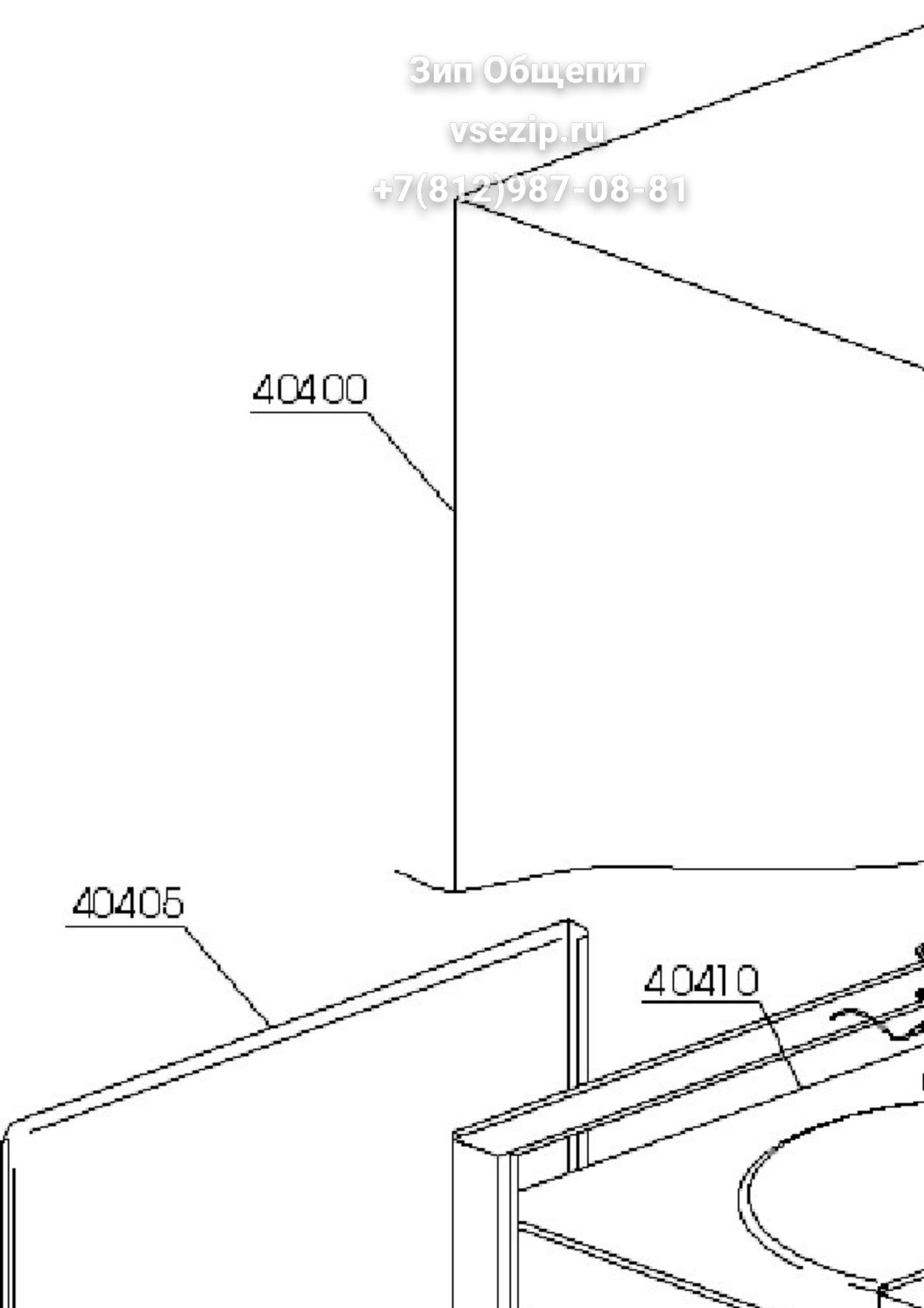
Edition 20080101-

Зип Общепит

vsezip.ru

+7(812)987-08-81

40400



The image shows a technical drawing of a table. A vertical line representing a leg is labeled with the number 40400. A horizontal line representing the table top is labeled with the number 40405. A detail of the table top edge is shown in the bottom right, with a callout line pointing to the number 40410.

40405

40410

Зип Общепит

vsezip.ru

+7(812)987-08-81

40165

A technical drawing of a metal rod with a hexagonal end, connected to a larger structure. The rod is shown in perspective, extending from the left towards the right. The hexagonal end is on the left, and the rod tapers slightly towards the right. The drawing is a simple line drawing with no shading or texture.

4500

Зип Общепит

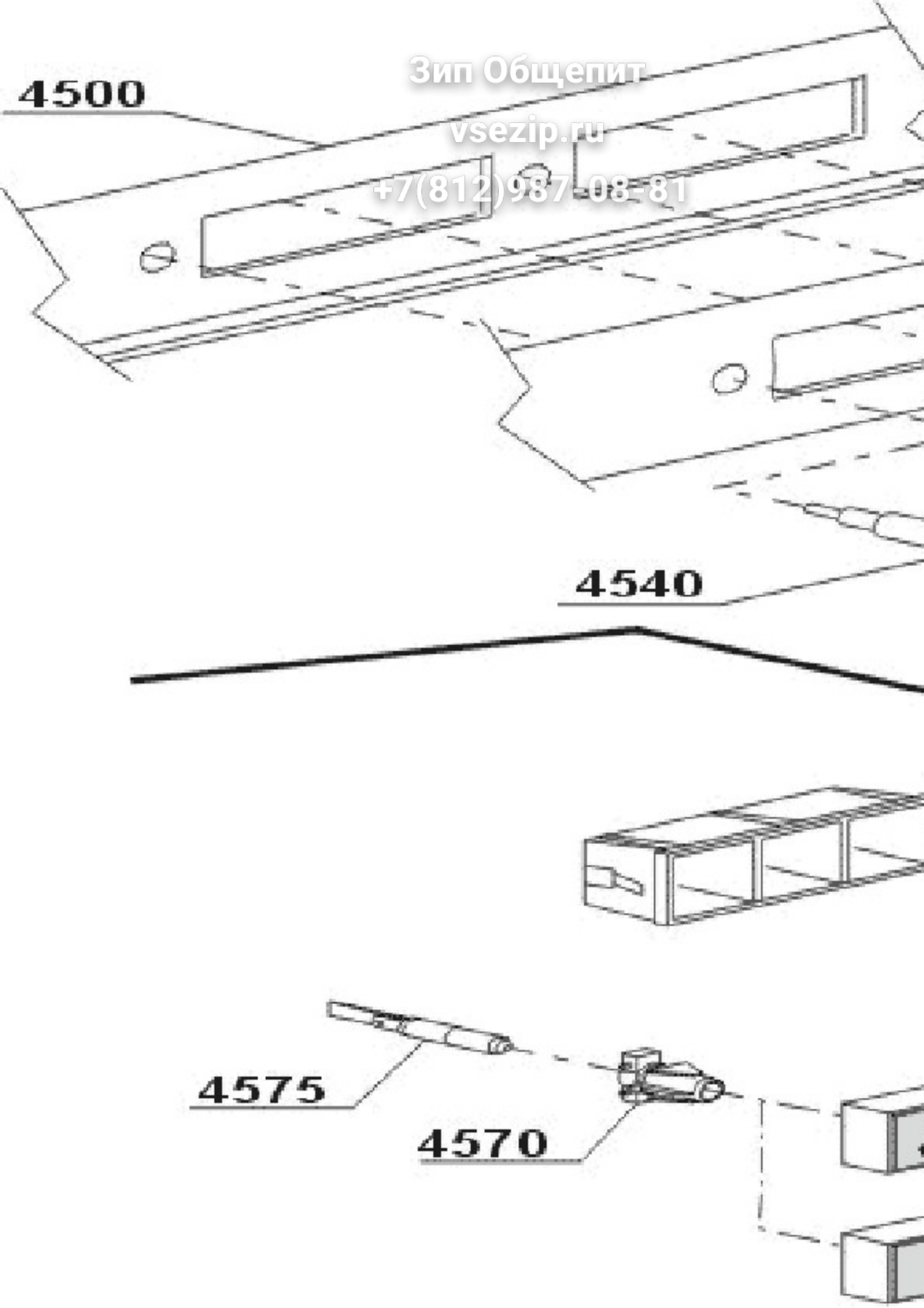
vsezip.ru

+7(812)987-08-81

4540

4575

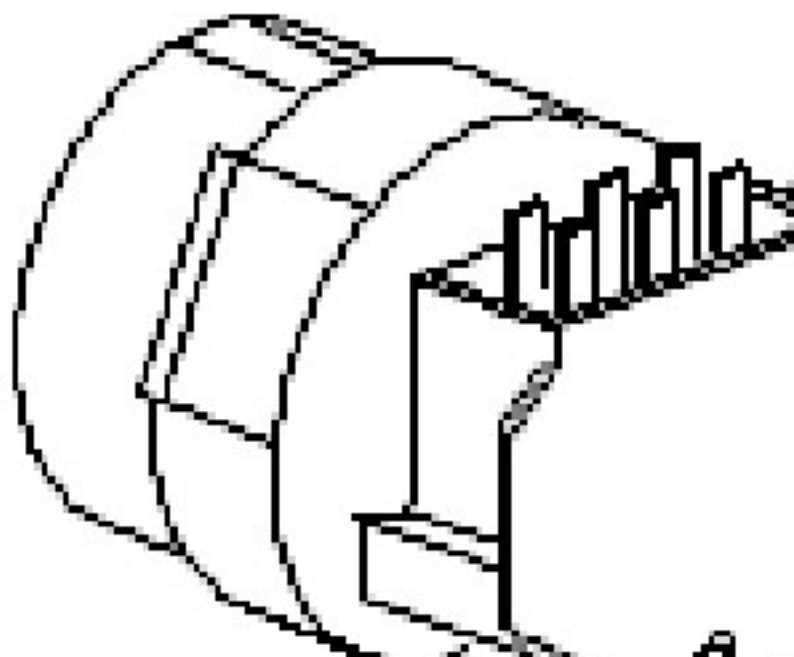
4570



Зип Общепит

vsezip.ru

+7(812)987-08-81



Зип Общепит

vsezip.ru

+7(812)987-08-81

720



725

Зип Общепит

vsezip.ru

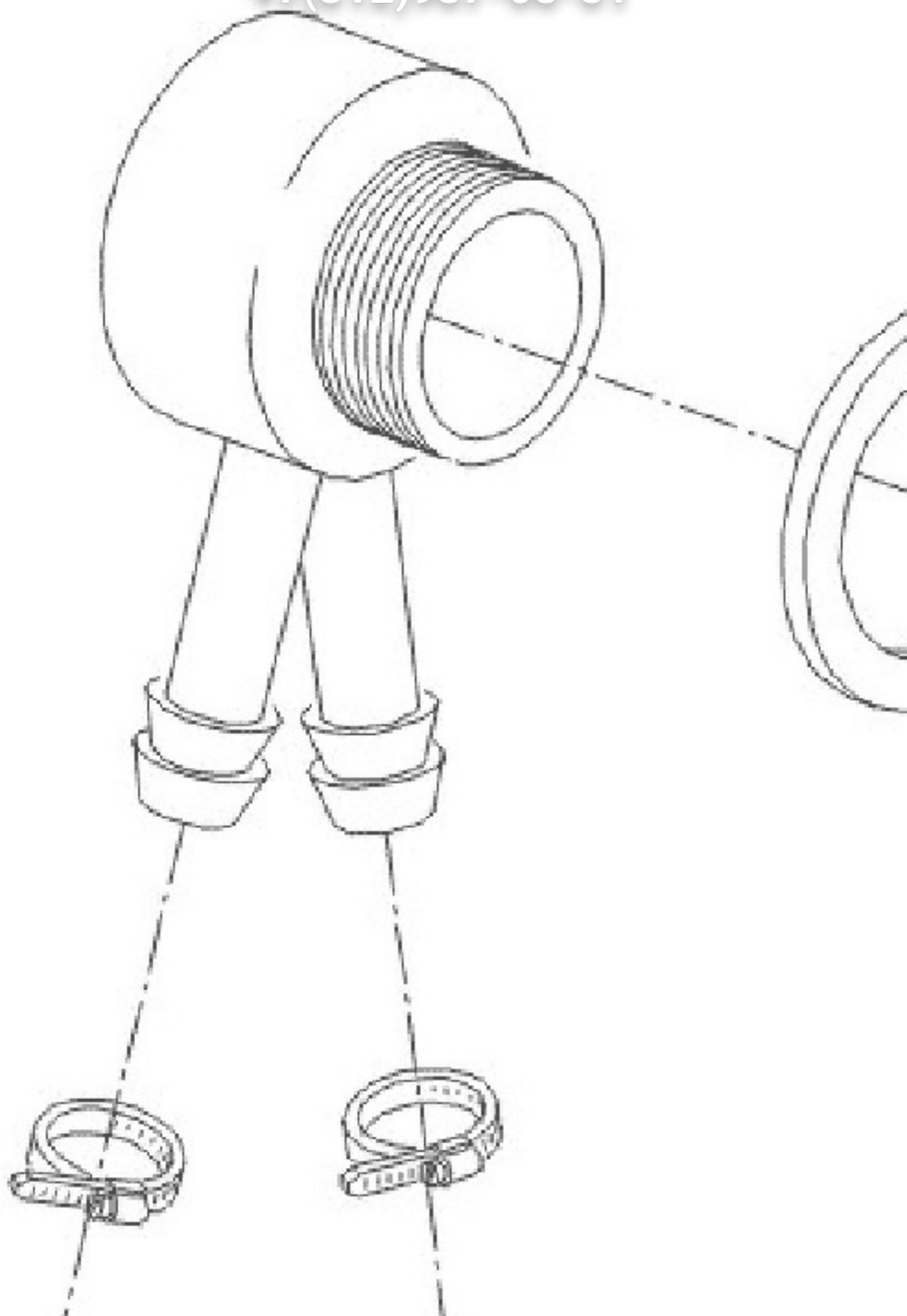
+7(812)987-08-81

820

Зип Общепит

vsezip.ru

+7(812)987-08-81



Зип Общепит

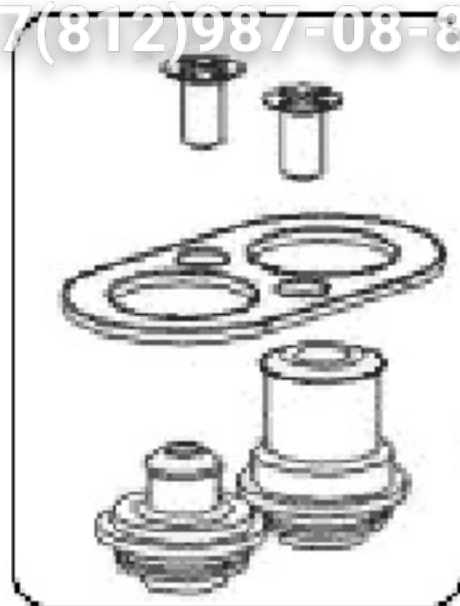
vsezip.ru

+7(812)987-08-81

Rif.



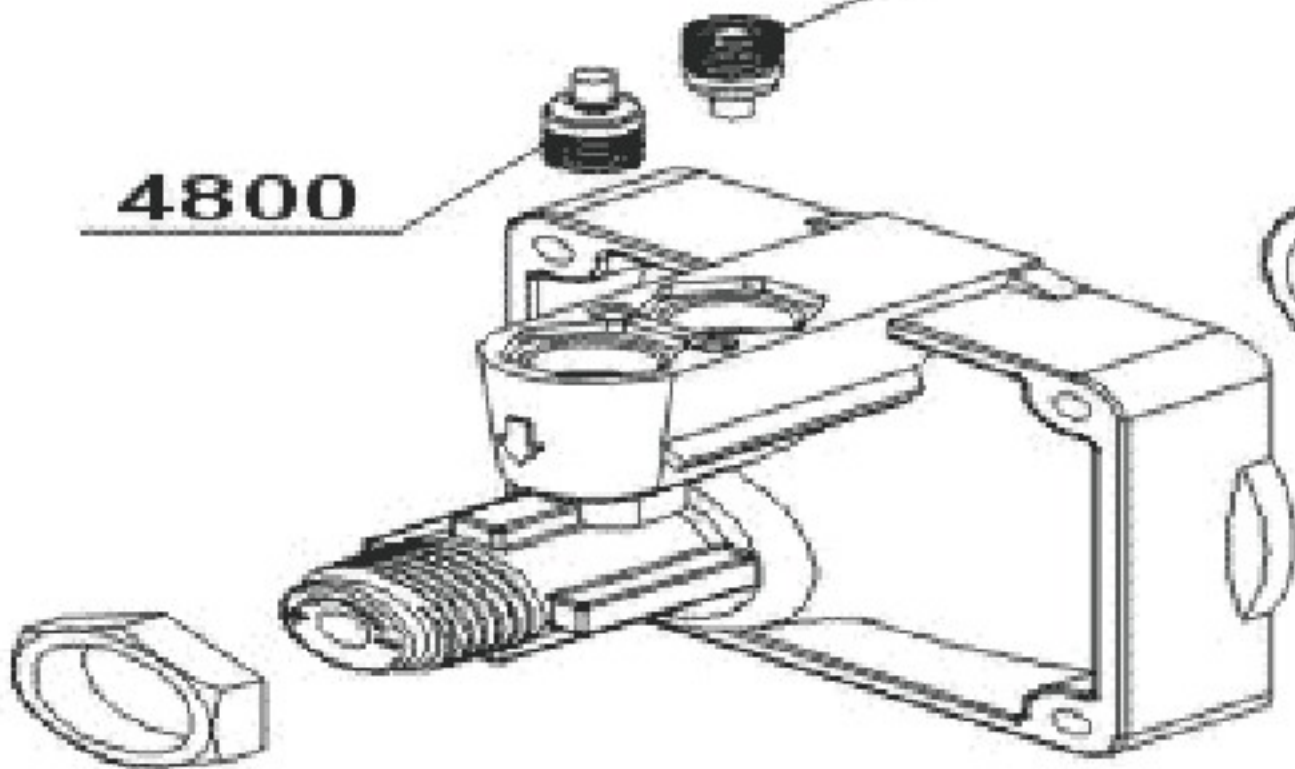
NI



4850

4800

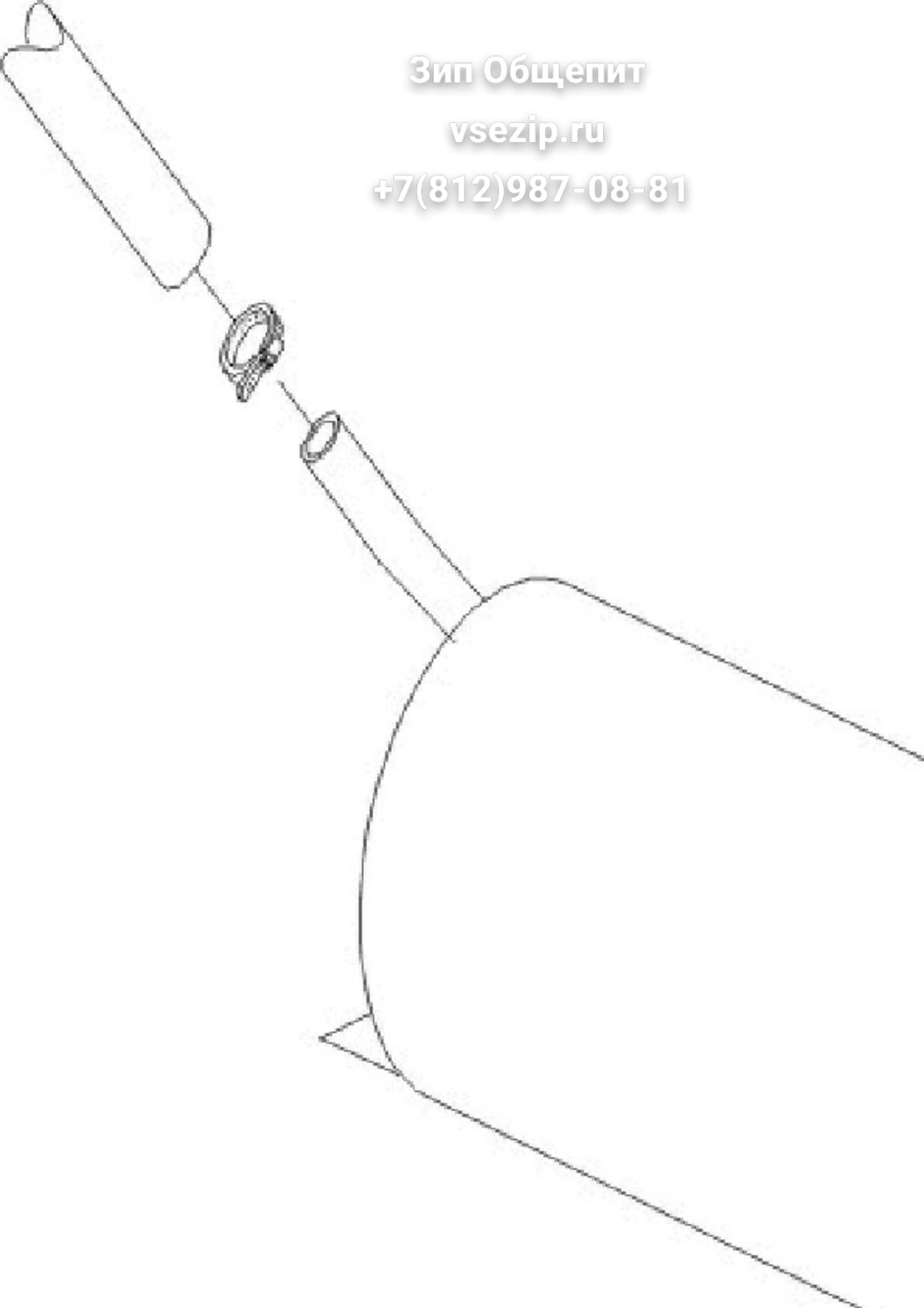
4800



Зип Общепит

vsezip.ru

+7(812)987-08-81



Зип Общепит

vsezip.ru

+7(812)987-08-81

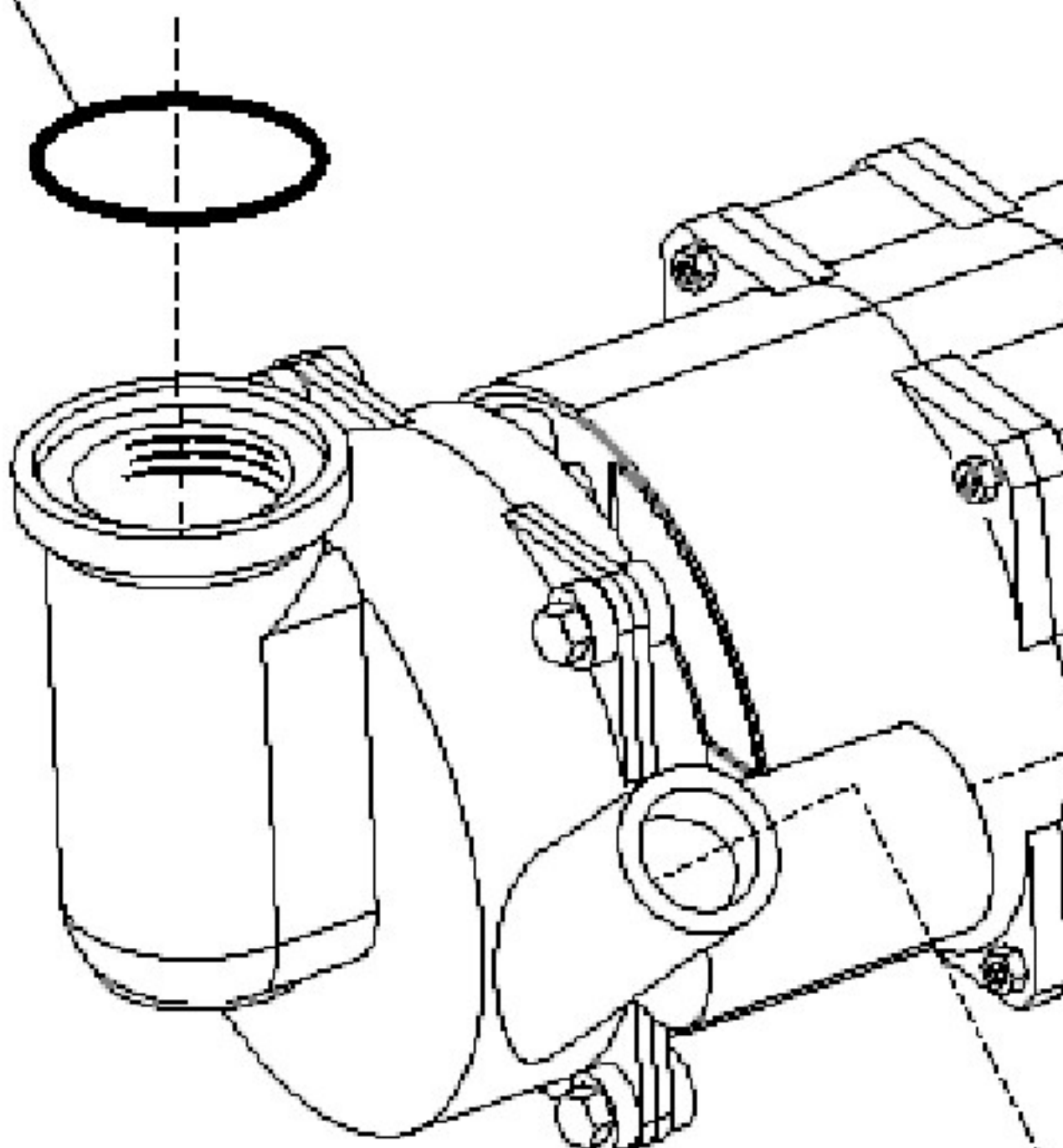
Зип Общепит

vsezip.ru

+7(812)987-08-81

12605

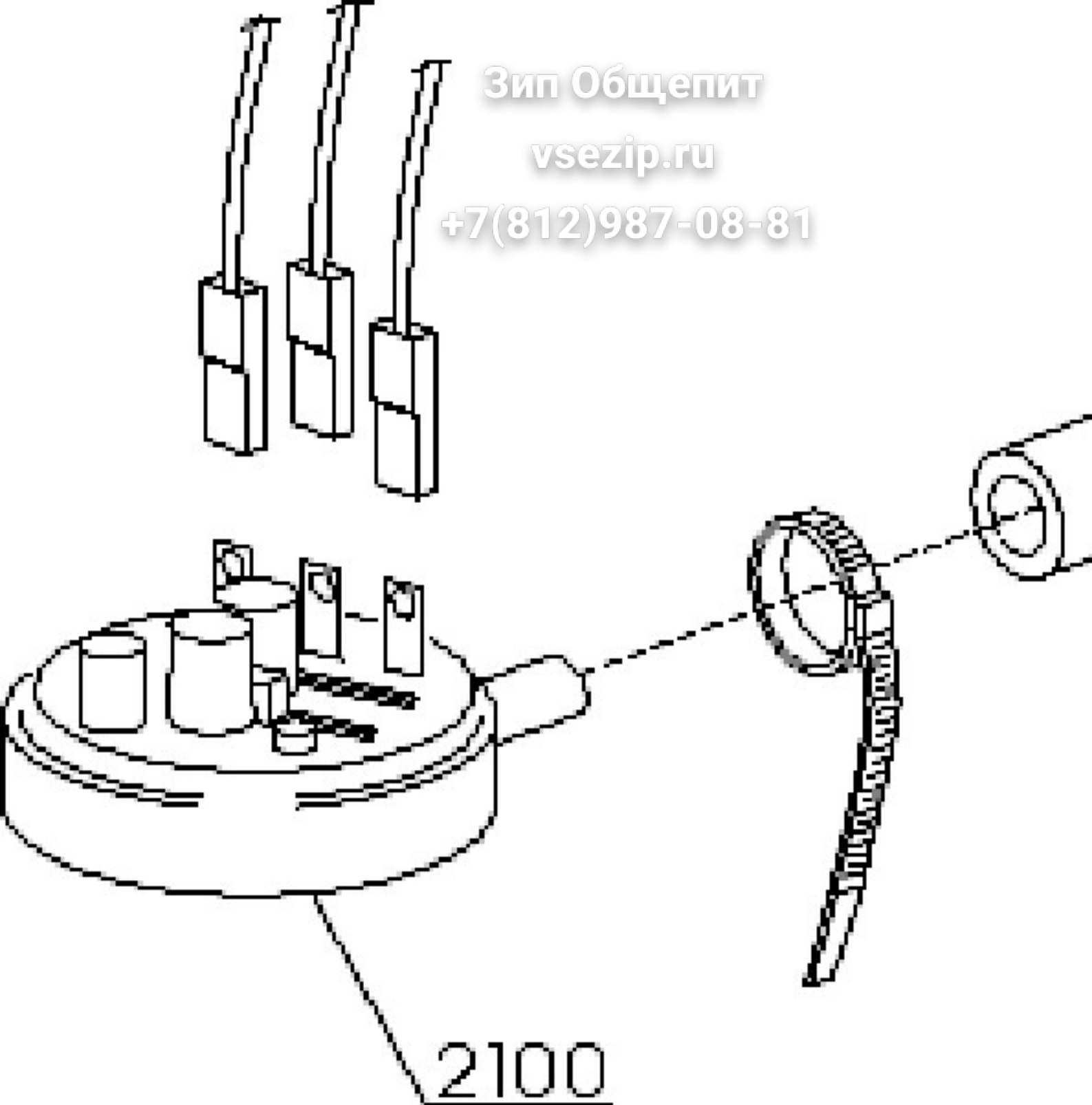
12660



Зип Общепит

vsezip.ru

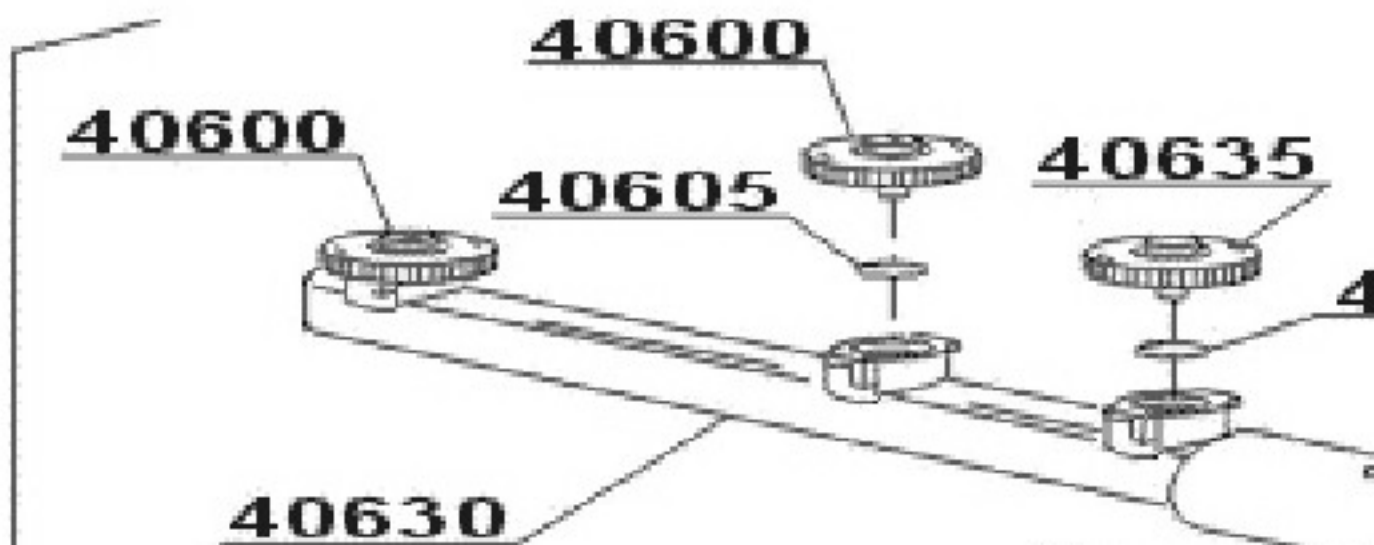
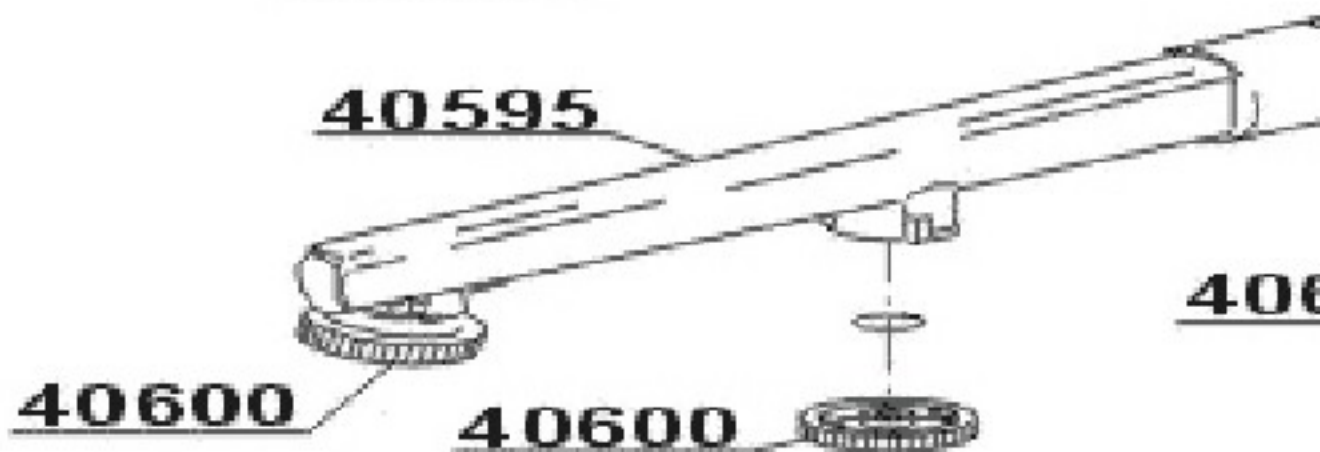
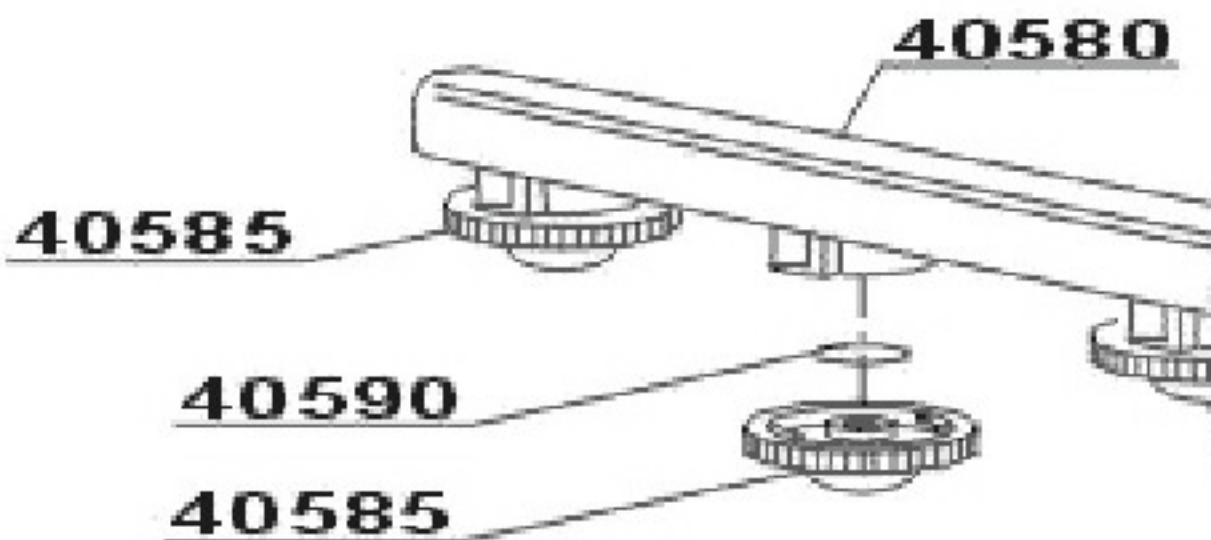
+7(812)987-08-81



Зип Общепит

vsezip.ru

+7(812)987-08-81



Зип Общепит

vsezip.ru

+7(812)987-08-81

| Page | Pos | Code | Description | Info |
|------|-------|----------------|-----------------------------------|-------------|
| 002 | 40400 | KD40-Pos.40400 | Cover | 01/10/2003- |
| 002 | 40405 | KD40-Pos.40405 | Back panel | 01/10/2003- |
| 002 | 40410 | KD40-Pos.40410 | Body | 01/10/2003- |
| 002 | 40415 | 32D1850 | Cable-fastener with screw | 01/10/2003- |
| 002 | 40420 | 3081980 | 4137 OR 140 NBR O-ring | 01/11/2004- |
| 002 | 40425 | 3030150 | Drain elbow | 01/10/2003- |
| 002 | 40430 | KD40-Pos.40430 | 3x2,5x2500 cable | 01/10/2003- |
| 002 | 40435 | 3095690 | Foot | 01/10/2003- |
| 002 | 40440 | KD40-Pos.40440 | Foot support | 01/10/2003- |
| 002 | 40455 | 3030180 | 1850W-230V/2020W-240V heating | 01/10/2003- |
| 002 | 40460 | 3081980 | 4137 OR 140 NBR O-ring | 01/11/2004- |
| 002 | 40465 | 3043990 | Top filter body 04 | 01/11/2004- |
| 002 | 40470 | 3030130 | Filter for top body | 01/10/2003- |
| 002 | 40475 | 3066480 | Drain pump stainless steel nut | 01/10/2003- |
| 002 | 40480 | 3030140 | Drain pump stainless steel filter | 01/10/2003- |
| 002 | 40490 | 3018870 | Overflow pipe | 01/10/2003- |
| 002 | 40495 | 3030110 | Door gasket | 01/10/2003- |
| 002 | 40500 | 3030100 | Door jack assembly | 01/10/2003- |
| 002 | 40505 | 3039180 | Door jack gasket | 01/10/2003- |
| 002 | 40510 | 3030750 | Door rod slide | 01/10/2003- |
| 002 | 40515 | KD40-Pos.40515 | O40mm fairlead | 01/10/2003- |
| 002 | 40520 | KD40-Pos.40520 | O13mm fairlead | 01/10/2003- |
| 002 | 40525 | KD40-Pos.40525 | Stainless steell base | 01/10/2003- |
| 002 | 40530 | 3108020 | Door O-ring angular | 01/11/2004- |
| 002 | 40535 | 3108030 | Straight floor drain | 01/11/2004- |
| 002 | 40540 | 33M1660 | Drain pipe | 01/10/2003- |
| 003 | 40160 | 3061450 | Door | 01/03/2005- |
| 003 | 40165 | 3081390 | Left/right door rod | 01/03/2005- |
| 003 | 40170 | 3081400 | Hinge door rod | 01/03/2005- |
| 003 | 40175 | KD40-Pos.40175 | Stainless steel handle | 01/10/2003- |
| 003 | 40180 | 3030190 | Door jack | 01/10/2003- |
| 003 | 40185 | 3039160 | Bush | 01/10/2003- |
| 003 | 40190 | 3081420 | Stainless steel screw M5x25 | 01/10/2003- |
| 003 | 40195 | 3023140 | Lower door with tank | 01/10/2003- |
| 003 | 40200 | 36Z1860 | Tank cover | 01/10/2003- |
| 003 | 40205 | 36Z1850 | Back tank cover | 01/10/2003- |
| 003 | 40210 | 3063740 | Square tank | 01/10/2003- |
| 004 | 4500 | KD40-Pos.4500 | Control panel | 01/10/2003- |
| 004 | 4515 | 3063320 | Green start key | 01/10/2003- |
| 004 | 4525 | 32W4260 | Green ON-OFF key | 01/10/2003- |
| 004 | 4535 | 36U0870 | Square grey triple support | 01/10/2003- |
| 004 | 4540 | 32W4230 | Pilot light | 01/10/2003- |
| 004 | 4550 | 3040850 | 16A unipolar push button | 01/10/2003- |
| 004 | 4555 | 32W4150 | 16A SWITCH ONLY | 01/10/2003- |
| 004 | 4570 | 36U0850 | Pilot light support | 01/10/2003- |
| 004 | 4575 | 32W4220 | Pilot light | 01/10/2003- |
| 004 | 4580 | 33Q6440 | Green-orange cam | 01/10/2003- |
| 004 | 4590 | 36Q2060 | Grey key | 01/10/2003- |
| 004 | 4595 | 3025580 | Green square cycle gem | 01/10/2003- |
| 004 | 4597 | 3065830 | Green square temperature gem | 01/10/2003- |
| 005 | 40360 | KD40-Pos.40360 | Electric component panel | 01/10/2003- |

| Page | Pos | Code | Description | Info |
|------|-------|----------------|-------------------------------------|-------------|
| 005 | 40365 | 3030290 | "Electronic timer 120"" - 220Vac" | 01/10/2003- |
| 005 | 40365 | 3191870 | TIMER | 01/10/2003- |
| 005 | 40370 | 32V7240 | 0-90°C thermostat | 01/10/2003- |
| 005 | 40375 | 32V7100 | Bipolar relay in | 01/10/2003- |
| 005 | 40385 | KD40-Pos.40385 | deviation Low noise filter | 01/10/2003- |
| 006 | 700 | 33D3260 | Single solenoid valve | 01/10/2003- |
| 006 | 720 | KD40-Pos.720 | Pression reducing valve | 01/10/2003- |
| 006 | 725 | 15315 | Red pression reducing valve support | 01/10/2003- |
| 006 | 730 | 3140230 | 12/20 PIPE CLAMP | 01/10/2003- |
| 006 | 735 | KD40-Pos.735 | 3/4 gasket | 01/10/2003- |
| 007 | 810 | 33D3250 | Double solenoid valve - O10 | 01/10/2003- |
| 007 | 815 | KD40-Pos.815 | Green pression solenoid valve | 01/10/2003- |
| 007 | 820 | KD40-Pos.820 | Pression reducing valve | 01/10/2003- |
| 007 | 825 | 33A2090 | Red pression reducing valve | 01/10/2003- |
| 007 | 830 | 3140230 | 12/20 PIPE CLAMP | 01/10/2003- |
| 007 | 835 | KD40-Pos.835 | 3/4 gasket | 01/10/2003- |
| 008 | 1300 | 33D2100 | SAFETY VALVE | 01/09/2007- |
| 009 | 4800 | 3023040 | Tecnopro dosing valve | 01/10/2003- |
| 009 | 4805 | 3024680 | O22 gasket | 01/10/2003- |
| 009 | 4810 | 3206600 | Membrane | 01/10/2003- |
| 009 | 4820 | 33D3240 | 3 out shining product dosing d | 01/10/2003- |
| 009 | 4830 | 36H1500 | Counter-weight | 01/10/2003- |
| 009 | 4840 | 30Q3210 | Small filter | 01/10/2003- |
| 009 | 4850 | 3187520 | Flexible-pipe holder | 01/10/2003- |
| 010 | 12400 | 3035850 | OR gasket | 01/10/2003- |
| 010 | 12405 | 3023900 | Boiler | 01/10/2003- |
| 010 | 12410 | 3030200 | 2,8/3,05KW 230/240V- 1F heatin | 01/10/2003- |
| 010 | 12410 | 3104990 | HEATING EL. | 01/10/2003- |
| 010 | 12415 | 32V7250 | Safety thermostat | 01/10/2003- |
| 011 | 9600 | 3048190 | Ø10 mm plastic 3 ways connection | 01/03/2005- |
| 011 | 9605 | 3140230 | 12/20 PIPE CLAMP | 01/03/2005- |
| 012 | 12600 | 3081970 | 0,45Hp 230V 50Hz wash pump | 01/03/2005- |
| 012 | 12605 | 3042740 | 8 uF capacitor | 01/10/2003- |
| 012 | 12615 | 3274200 | Pump pipe coupling | 01/03/2005- |
| 012 | 12620 | KD40-Pos.12620 | Top delivery pipe | 01/03/2005- |
| 012 | 12625 | 3223050 | 25/40 clamp | 01/10/2003- |
| 012 | 12635 | 3027690 | Pump support | 01/03/2005- |
| 012 | 12640 | 3036790 | ROTATING SEALS | 01/10/2003- |
| 012 | 12645 | 3024620 | Pump rotor | 01/10/2003- |
| 012 | 12650 | 3116490 | Gasket | 01/03/2005- |
| 012 | 12655 | 3101190 | Scroll | 01/03/2005- |
| 012 | 12660 | 3081980 | 4137 OR 140 NBR O-ring | 01/03/2005- |
| 013 | 2100 | 32V7060 | 47-27 pressure switch | 01/10/2003- |
| 013 | 2105 | 33D3330 | Grey air trap assembly | 01/10/2003- |
| 013 | 2110 | 37Q5130 | Gasket | 01/10/2003- |
| 013 | 2115 | 33Q6470 | M8 stainless steel nut | 01/10/2003- |
| 013 | 2120 | 3036160 | 4,5X9 EPDM rubber pipe | 01/10/2003- |
| 014 | 40550 | 3140230 | 12/20 PIPE CLAMP | 01/10/2003- |
| 014 | 40555 | 3102310 | Top turret for rotor | 01/10/2003- |
| 014 | 40560 | 3226230 | Guide pipe | 01/10/2003- |
| 014 | 40565 | 3102320 | Ø57x43x1,5 plane gasket | 01/10/2003- |

| Page | Pos | Code | Description | Info |
|------|-------|----------------|---|-------------|
| 014 | 40570 | 3102330 | Turret fixing nut | 01/10/2003- |
| 014 | 40575 | 3120240 | WASHER | 01/10/2003- |
| 014 | 40580 | 3026400 | Right wash pipe | 01/10/2003- |
| 014 | 40585 | 3045410 | Opened head wash nozzle | 01/10/2003- |
| 014 | 40590 | 3045420 | OR 2050 NBR gasket | 01/10/2003- |
| 014 | 40595 | 3065110 | Right rinse pipe | 01/10/2003- |
| 014 | 40600 | 3040290 | CLOSED HEAD RINSE NOZZLE | 01/10/2003- |
| 014 | 40605 | 3035830 | OR R6 NBR gasket | 01/10/2003- |
| 014 | 40610 | 3045430 | Closed head wash nozzle | 01/10/2003- |
| 014 | 40615 | 3026410 | Left wash pipe | 01/10/2003- |
| 014 | 40620 | KD40-Pos.40620 | 4x10 TCB O8 spax toothed screw | 01/10/2003- |
| 014 | 40625 | KD40-Pos.40625 | Wash rotor | 01/10/2003- |
| 014 | 40630 | 3065100 | Left rinse pipe | 01/10/2003- |
| 014 | 40635 | 3035840 | OPENED HEAD RINSE NOZZLE | 01/10/2003- |
| 014 | 40640 | 3203110 | Handle with insert | 01/10/2003- |
| 014 | 40645 | 3061440 | Top/lower wash/rinse group | 01/10/2003- |
| 014 | 40650 | 3113650 | DVGW hole gasket | 01/10/2003- |
| 014 | 40655 | 3022590 | Guide pipe | 01/10/2003- |
| 014 | 40660 | 3021580 | Ø10x1,5x185 steel ground shaft | 01/10/2003- |
| 014 | 40665 | 3061440 | Top/lower wash/rinse group | 01/10/2003- |
| 014 | 40670 | 3021590 | Bell-shape assembly with pipe | 01/10/2003- |
| 014 | 40675 | 3021600 | Ø60 stainless steel disk | 01/10/2003- |
| 014 | 40680 | 3021610 | OR 3125 NBR gasket | 01/10/2003- |
| 014 | 40685 | 3021620 | OR 104 NBR gasket | 01/10/2003- |
| 014 | 40690 | 3209620 | Flux reducer | 01/10/2003- |
| 014 | 40695 | 3021630 | Lower wash turret with hole | 01/10/2003- |
| 014 | 40700 | 37Q5210 | OR 112 NBR gasket | 01/10/2003- |
| 014 | 40705 | 3110340 | 3/8M Ø12 elbow pipe fitting | 01/10/2003- |
| 014 | 40710 | 3022600 | Wash rotor | 01/10/2003- |
| 015 | 001 | 3023890 | DRAIN PUMP ASSEMBLY (ACCESSORY TO BE ORDERED) | 01/01/2008- |