

Зип Общепит

vsezip.ru

+7(812)987-08-81



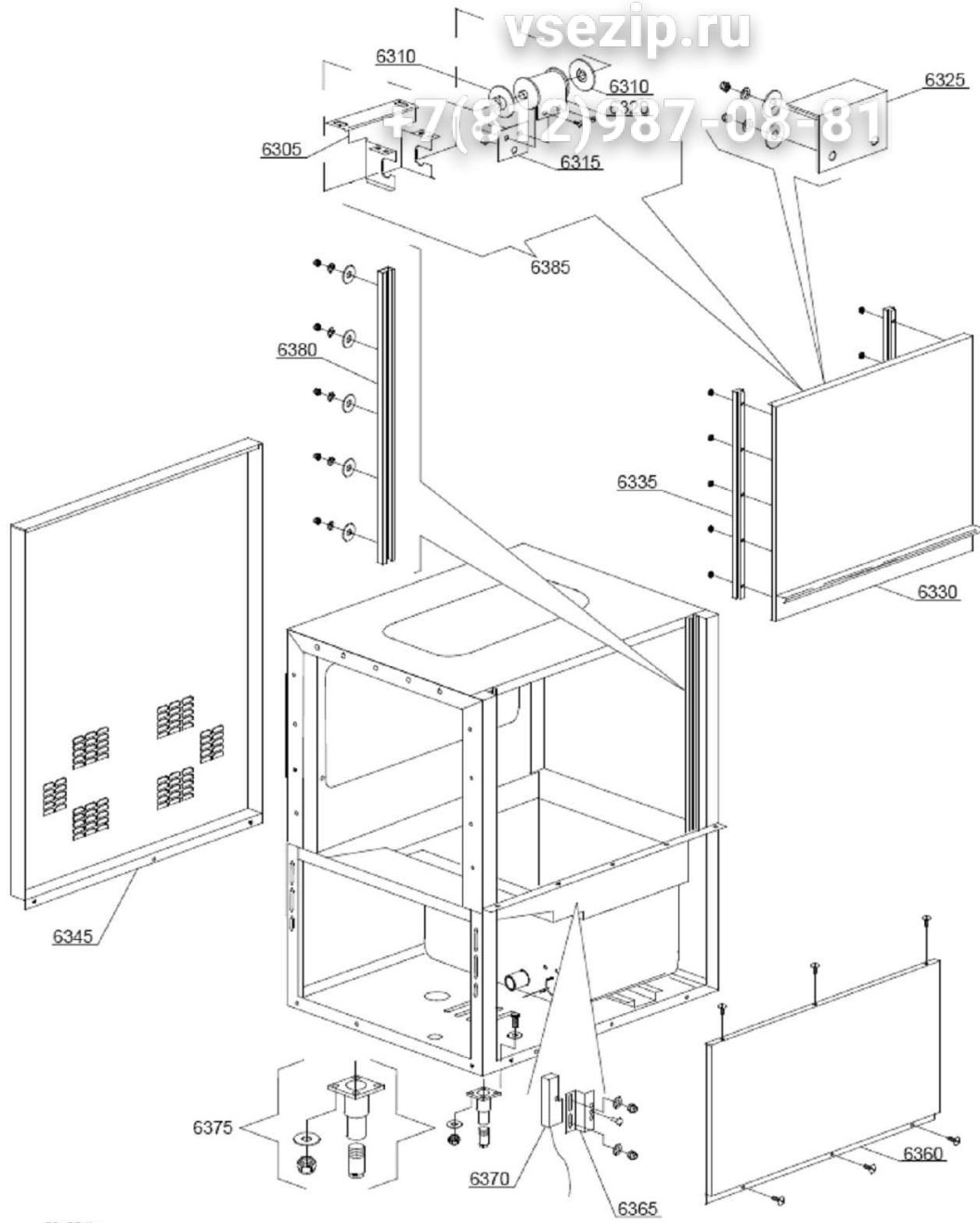
N100VD

Edition 20100301-

Зип Ощепит

vsezip.ru

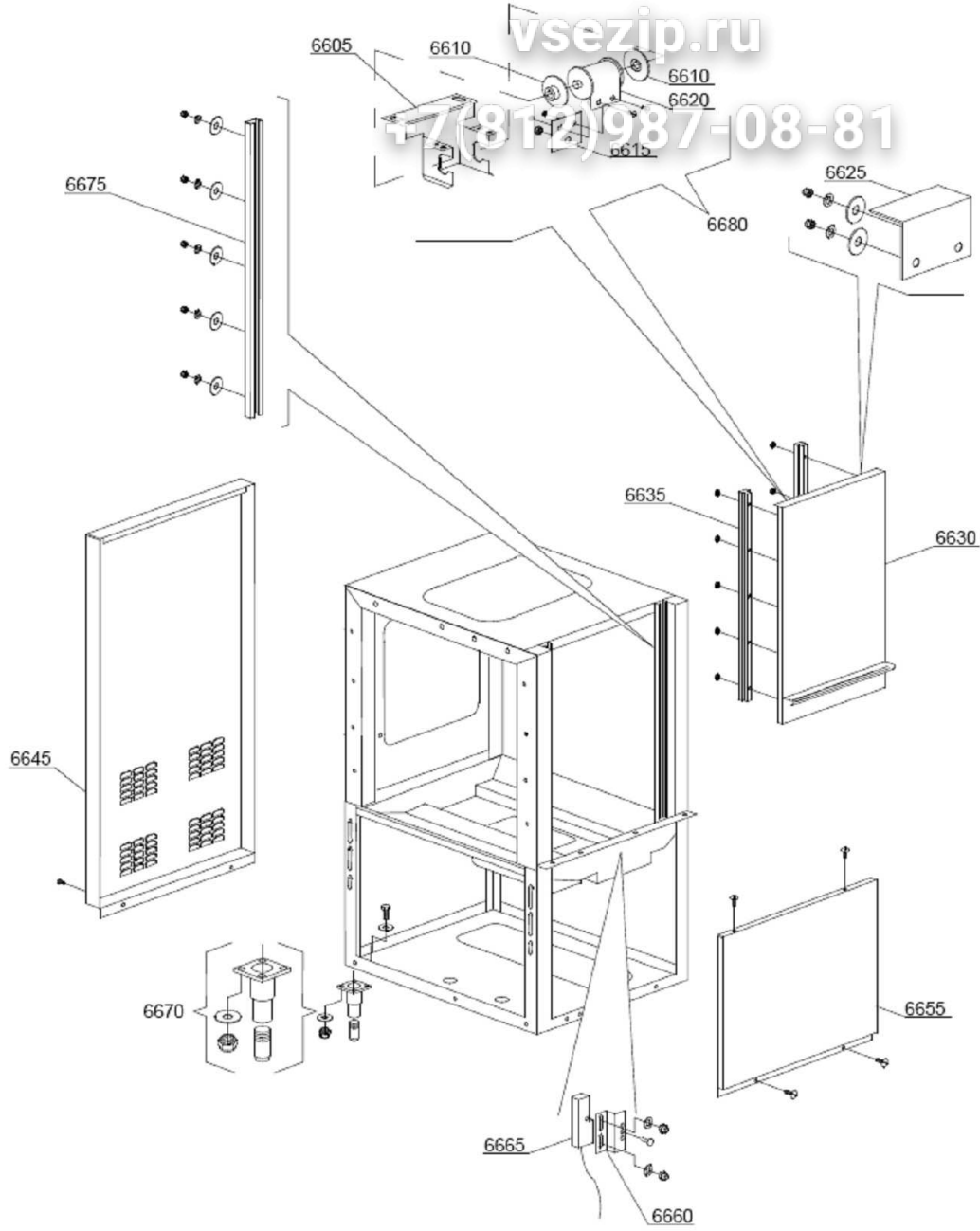
+7(812)987-08-81



03_001be

vsezip.ru

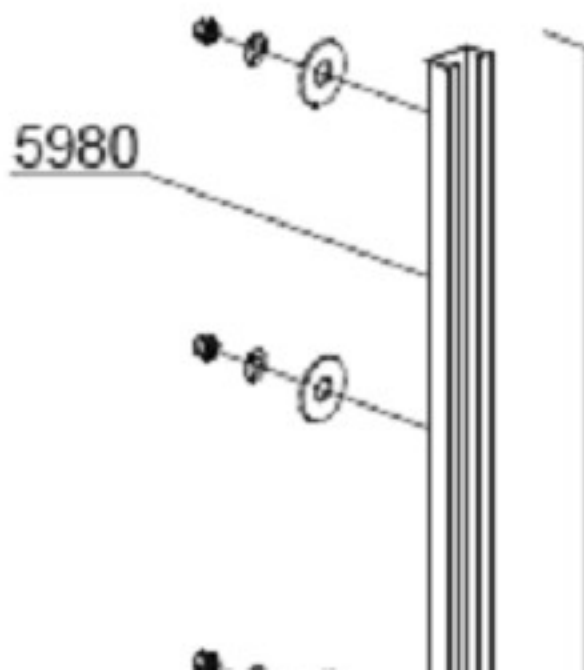
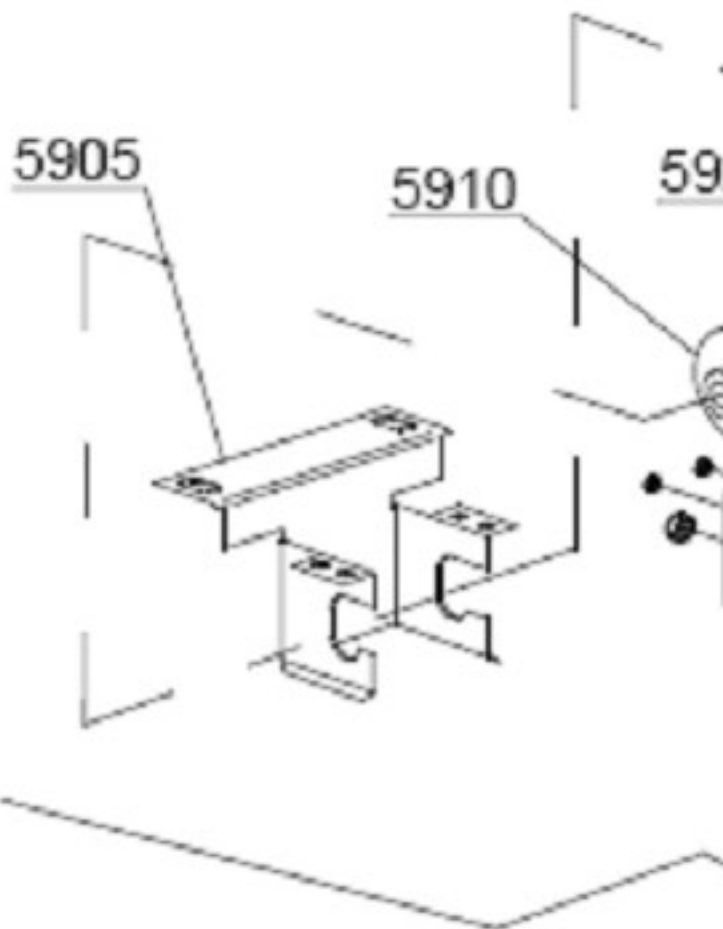
+7(812)987-08-81



Зип Ощепит

vsezip.ru

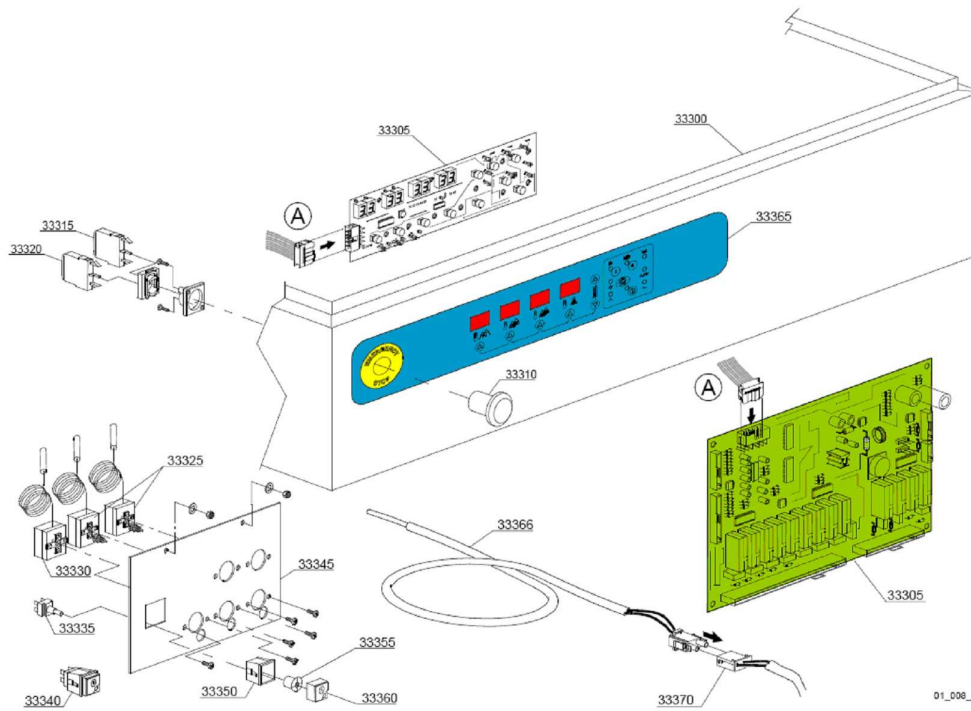
+7(812)987-08-81



Зип Общепит

vsezip.ru

+7(812)987-08-81

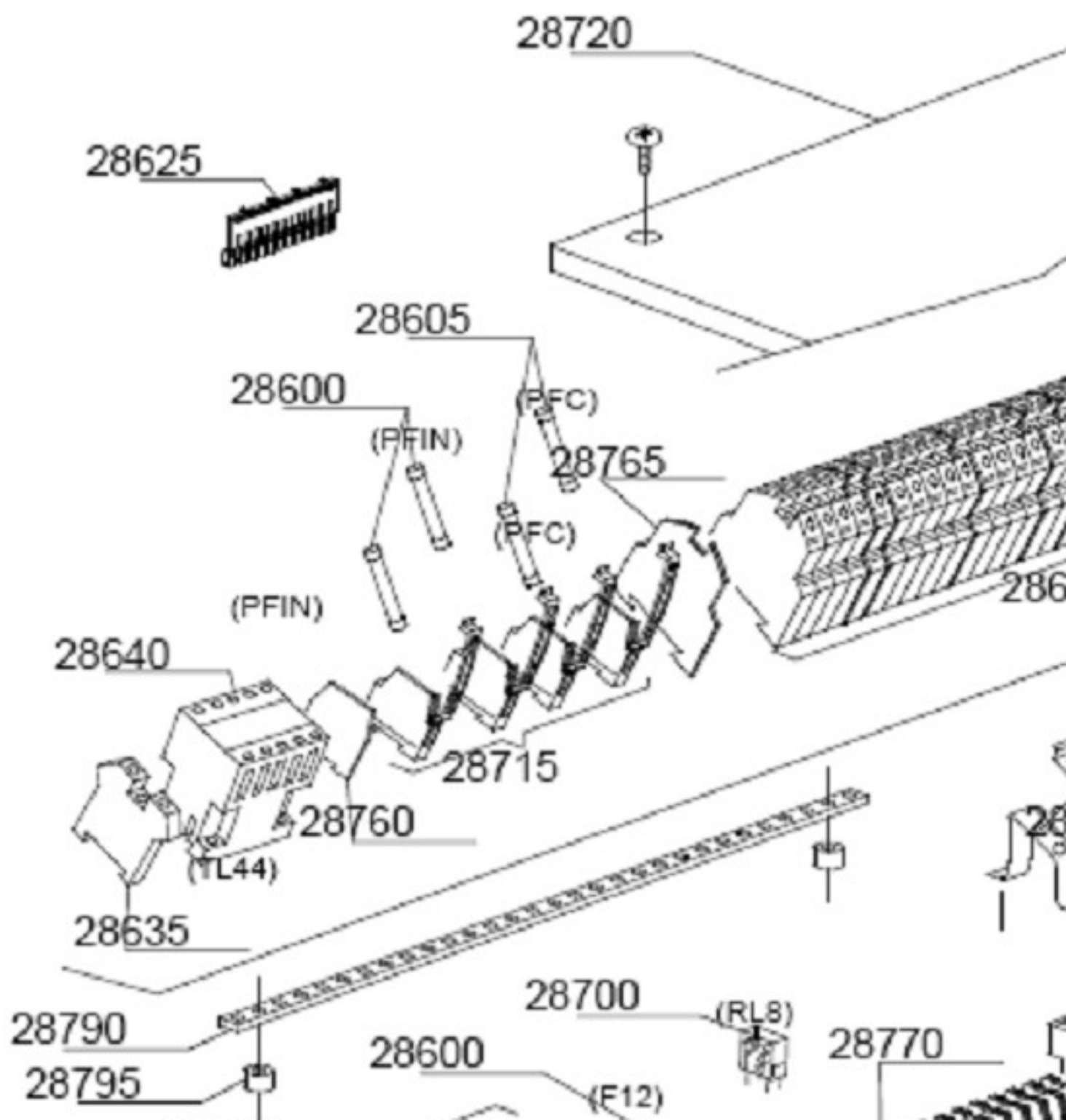


Зип Общепит

vsezip.ru

+7(812)987-08-81

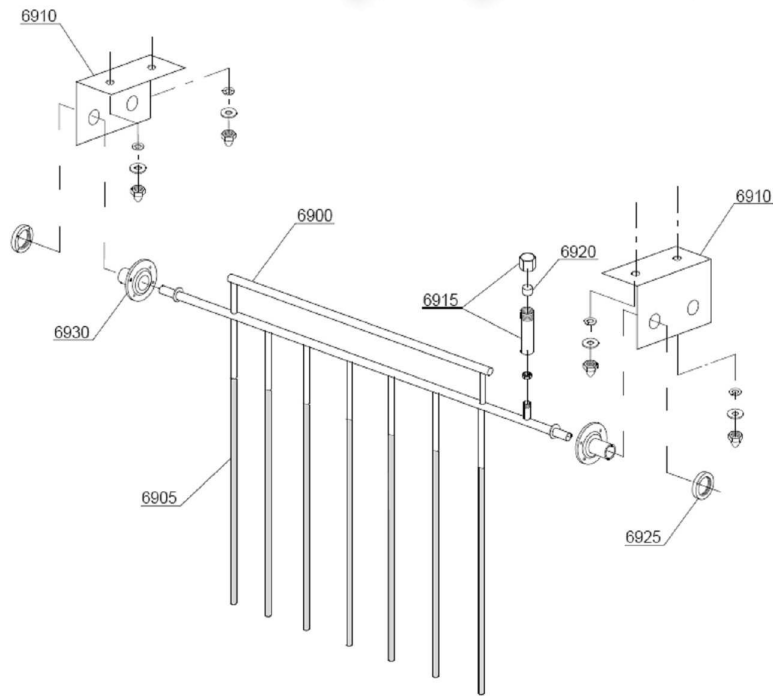
02_004_e



Зип Общепит

vsezip.ru

+7(812)987-08-81

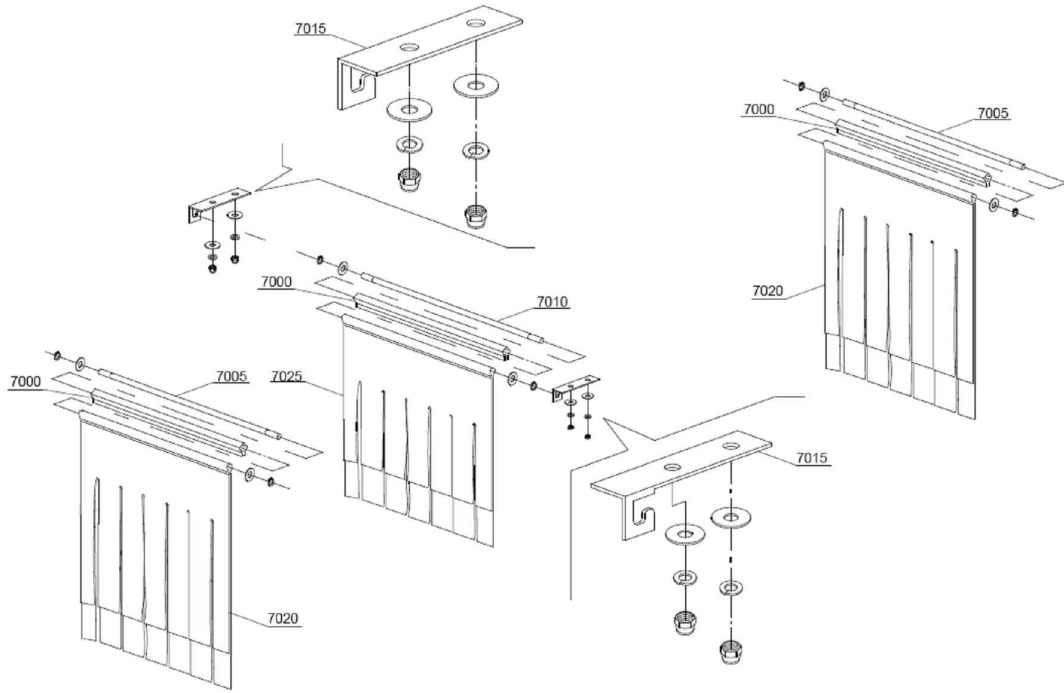


VALIDO PER VERSIONI DX E SX
VALID FOR EITHER RIGHT OR LEFT VERSION
VALABLE POUR VERSION DROITE ET GAUCHE

Зип Ощепит

vsezip.ru

+7(812)987-08-81

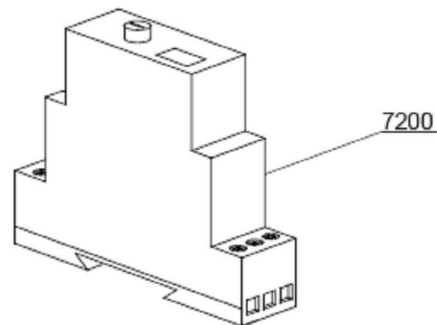
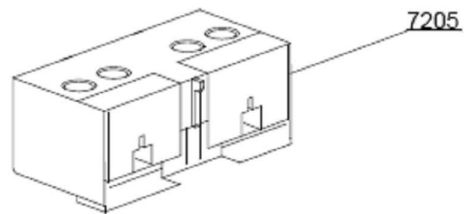


03_201_e

Зип Общепит

vsezip.ru

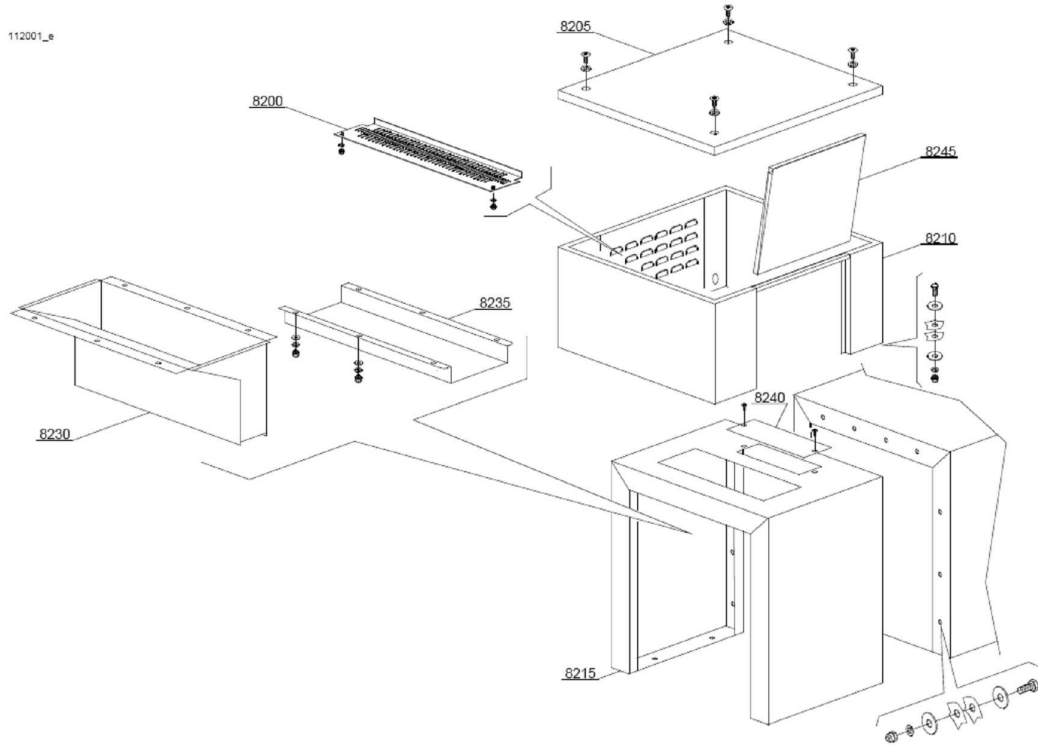
+7(812)987-08-81



Зип Общепит

vsezip.ru

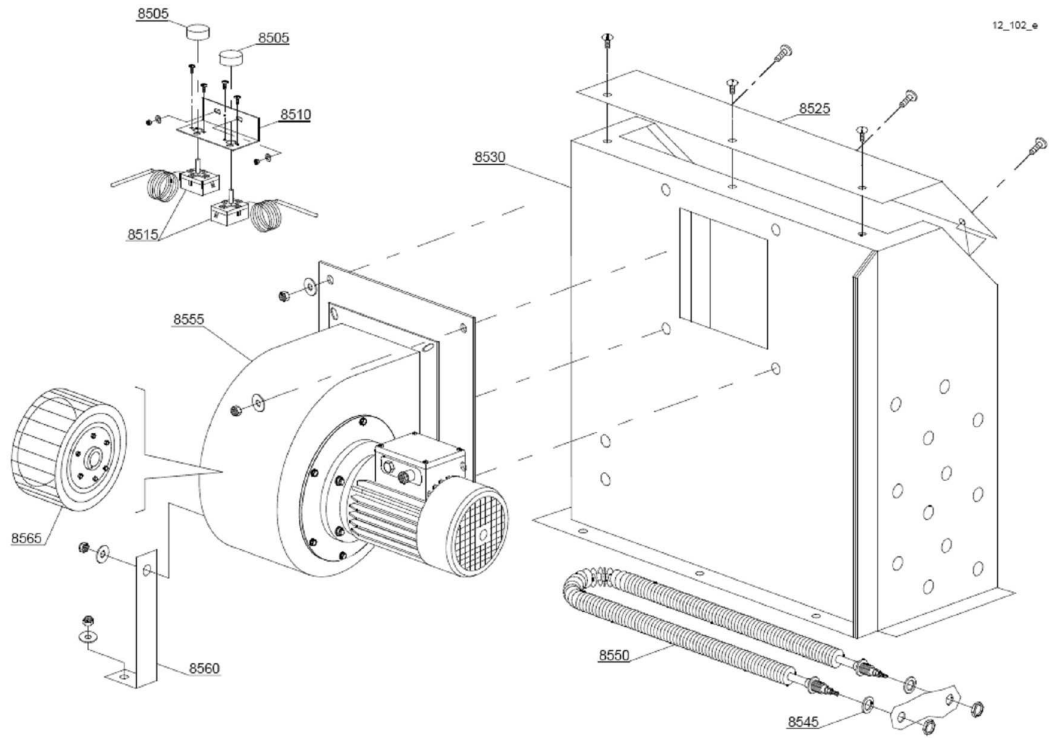
+7(812)987-08-81



Зип Общепит

vsezip.ru

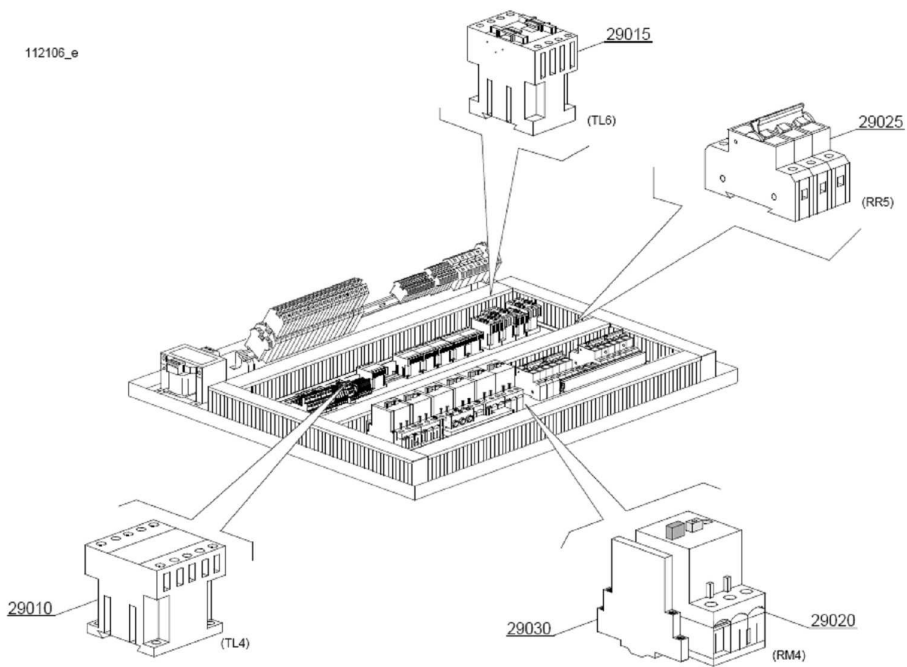
+7(812)987-08-81

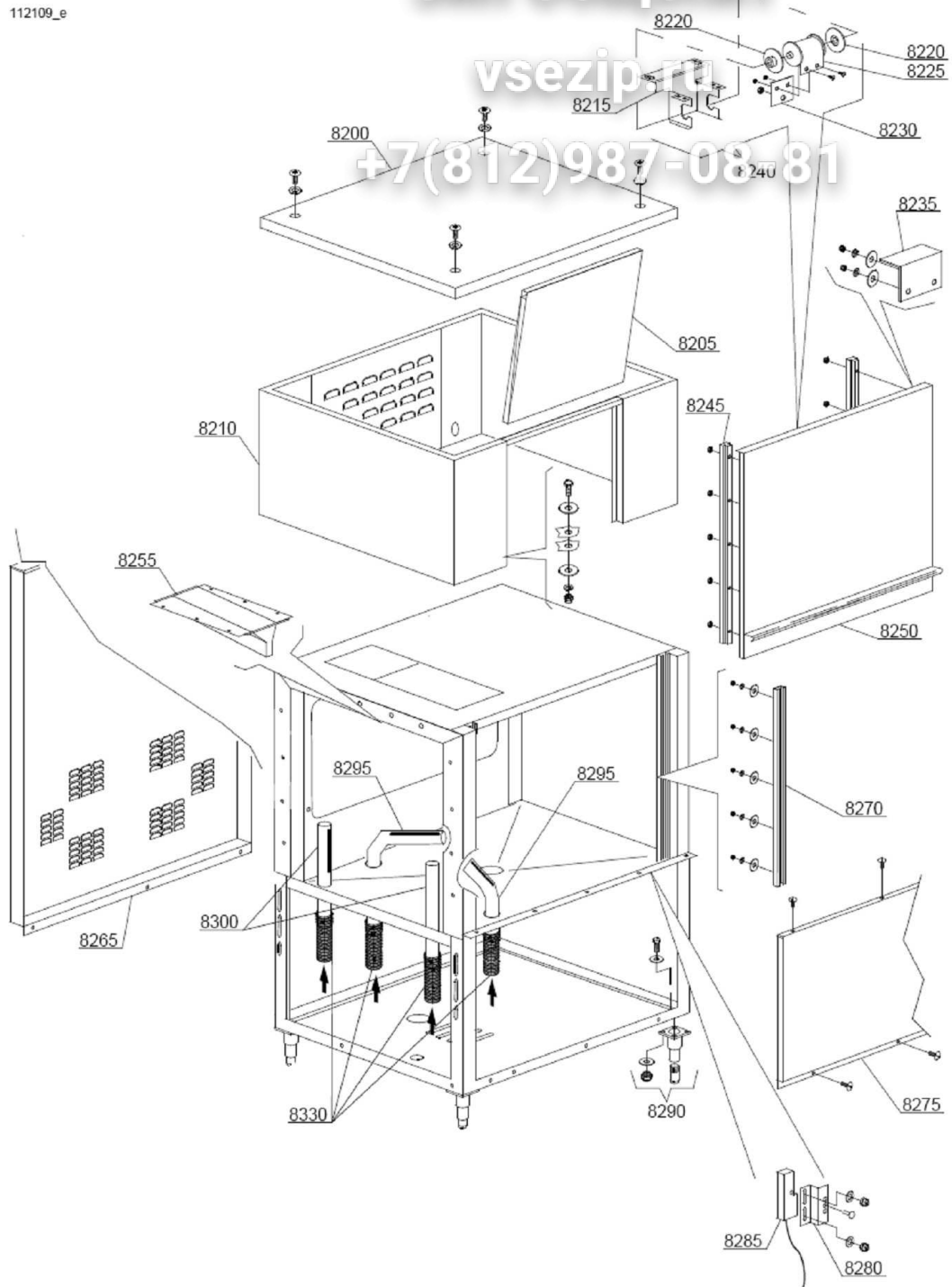


Зип Ощепит

vsezip.ru

+7(812)987-08-81



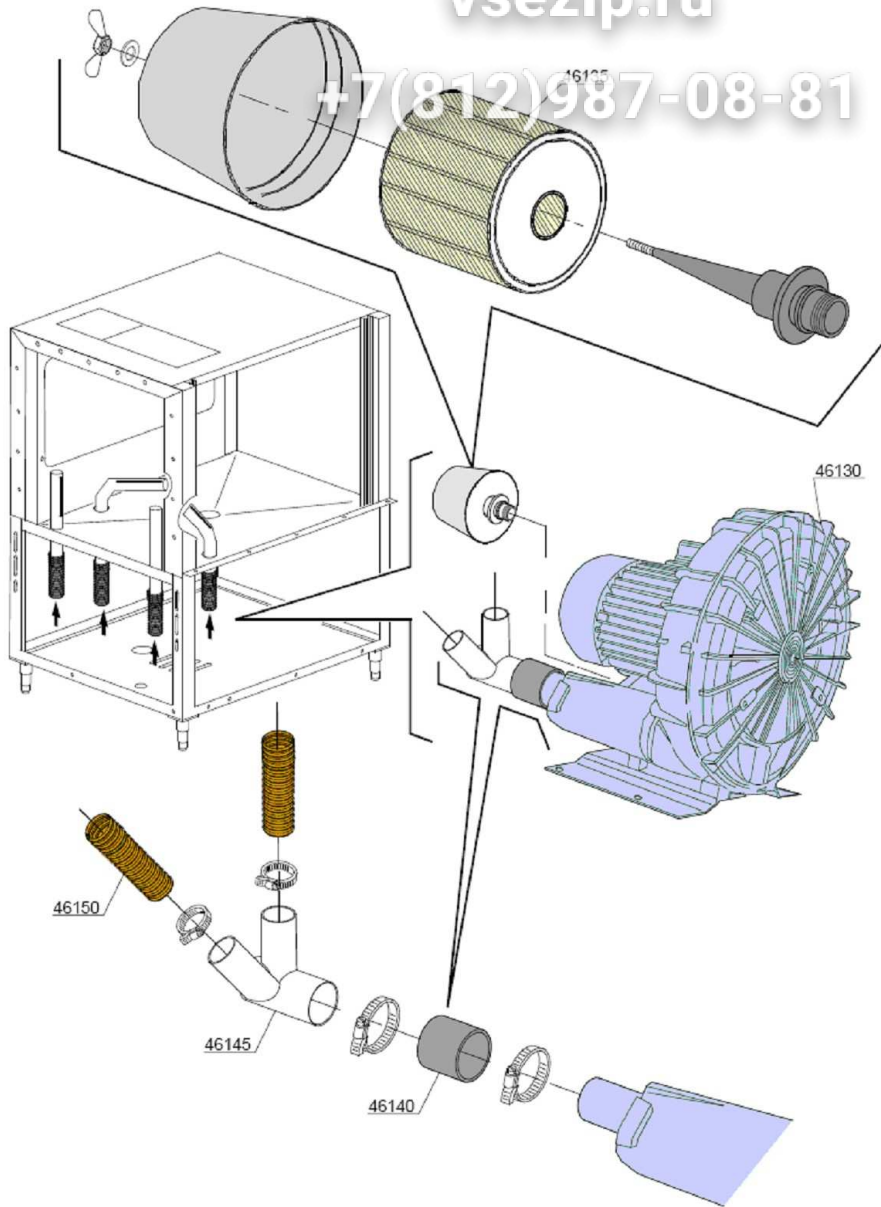


Зип Общепит

vsezip.ru

112109ae

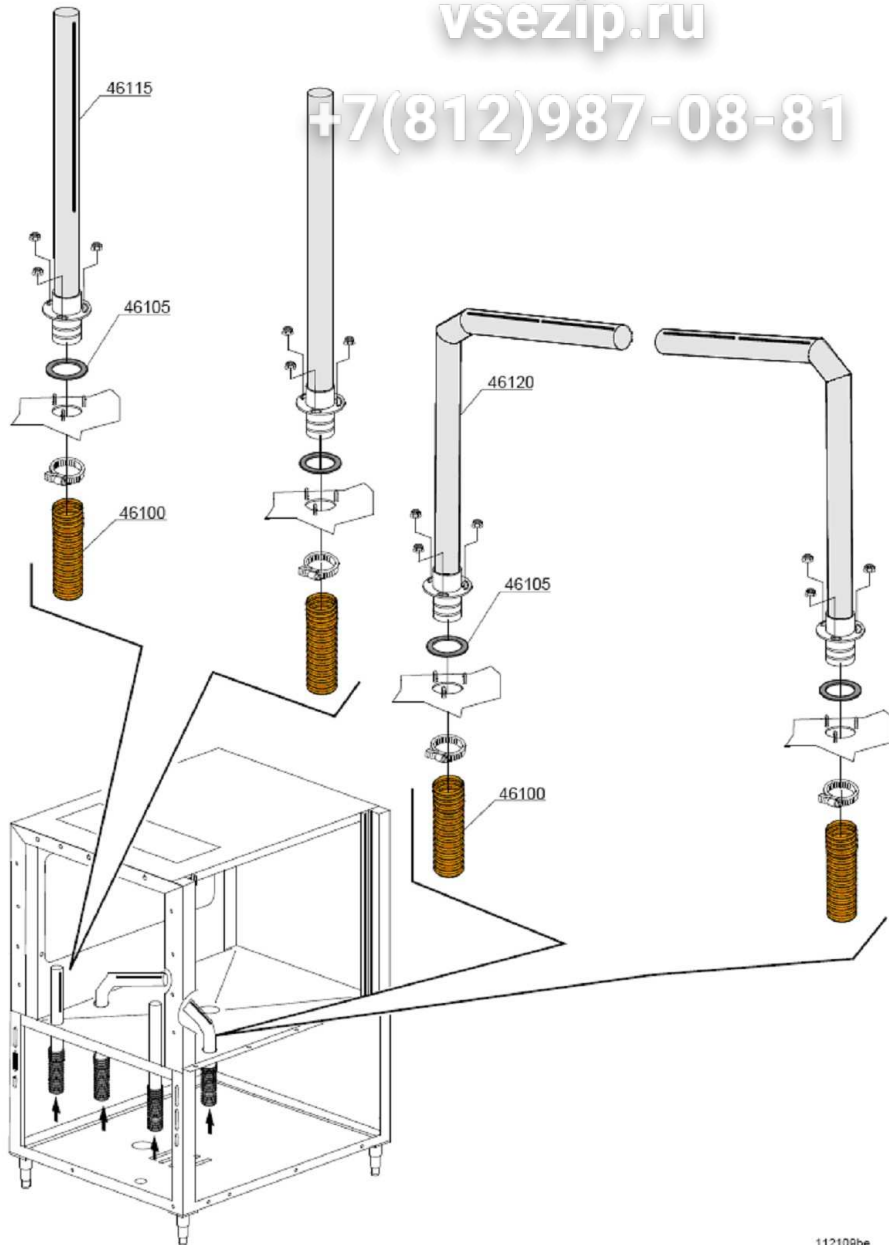
+7(812)987-08-81



Зип Ощепит

vsezip.ru

+7(812)987-08-81

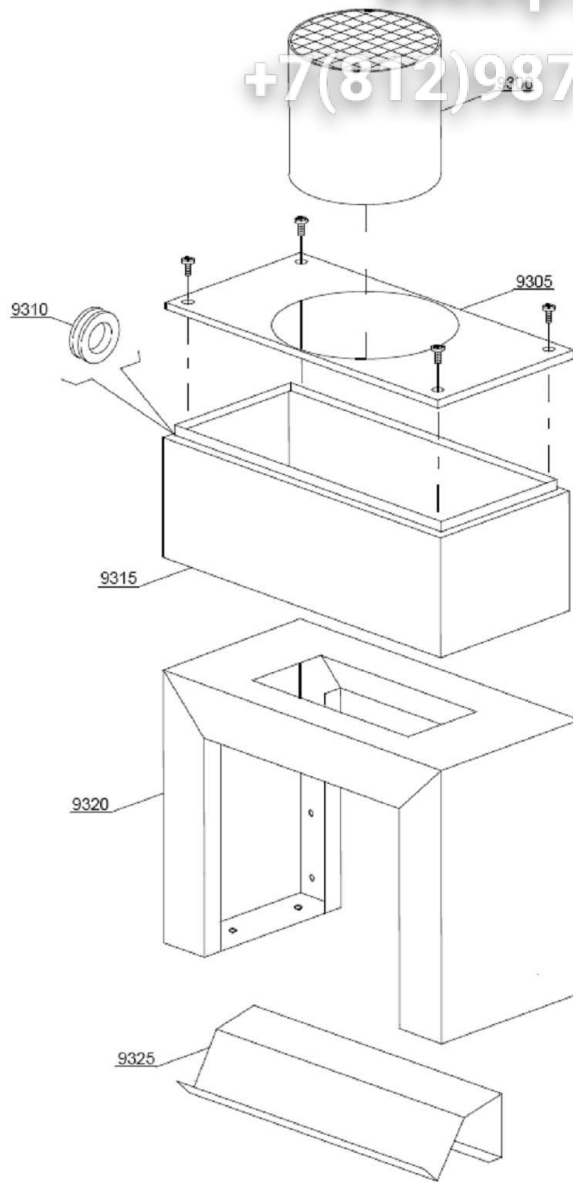


112109be

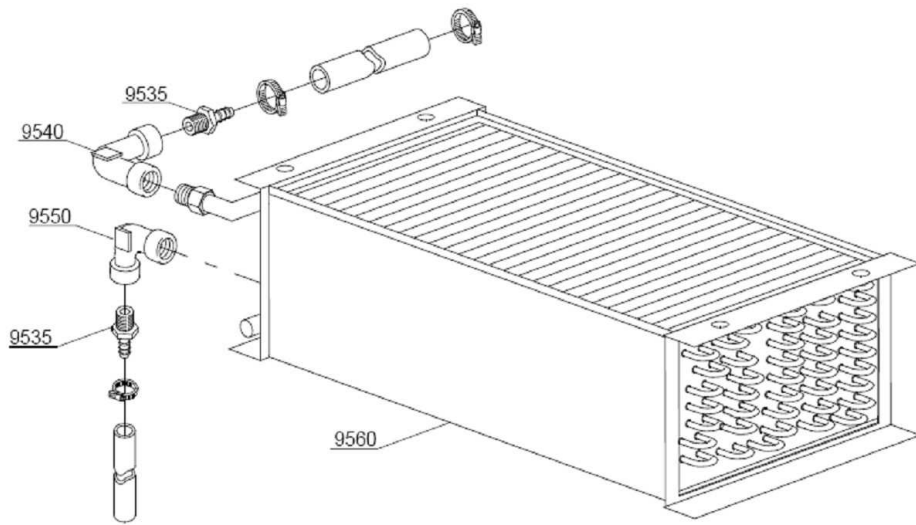
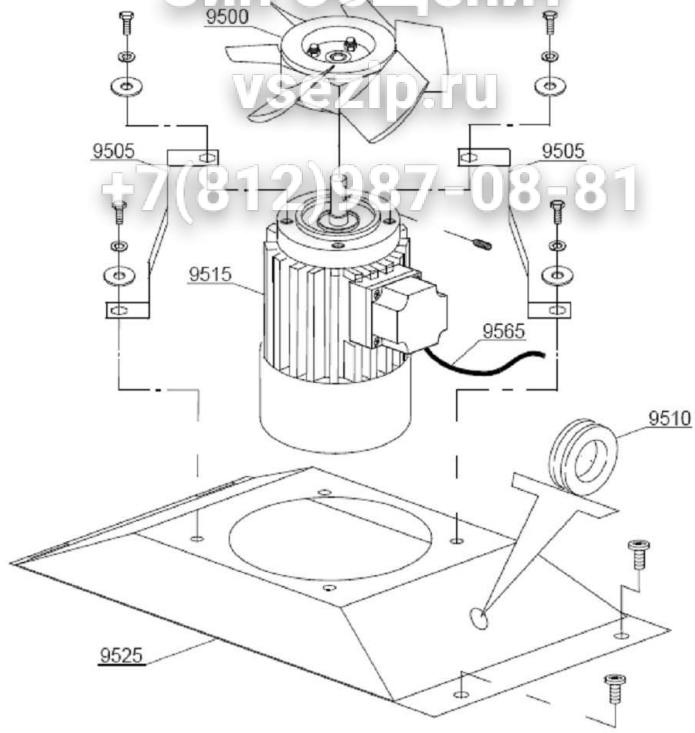
Зип Общепит

vsezip.ru

+7(812)987-08-81



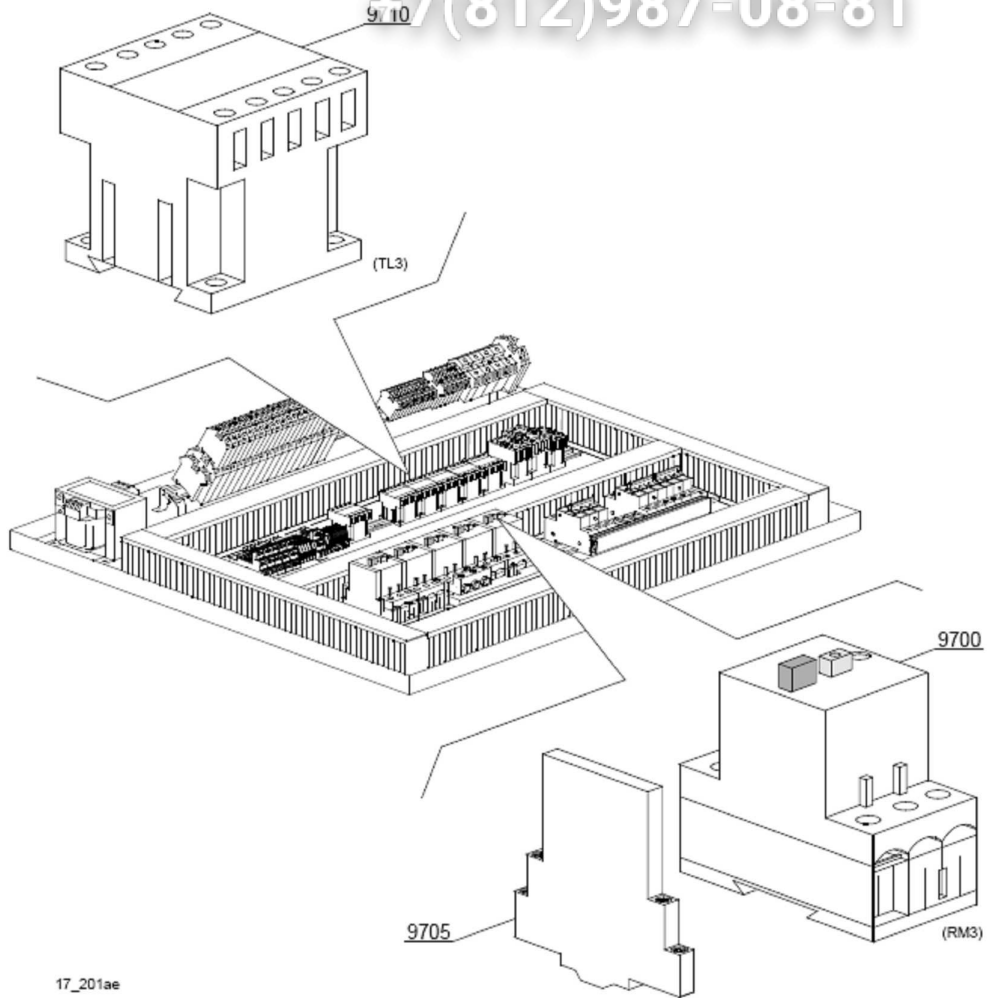
17_001ae



Зип Общепит

vsezip.ru

+7(812)987-08-81

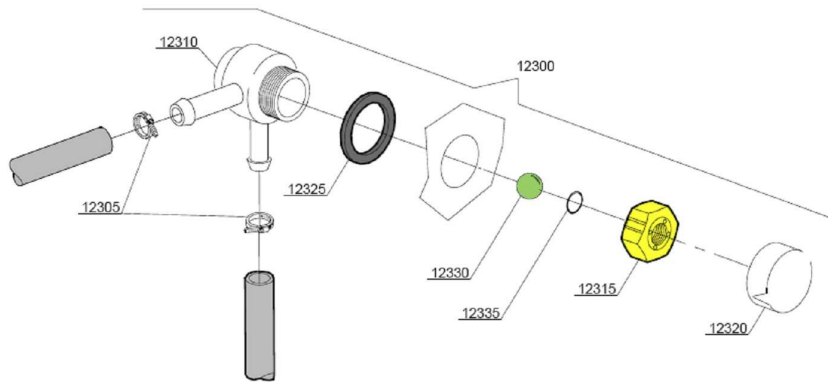


17_201ae

Зип Общепит

vsezip.ru

+7(812)987-08-81

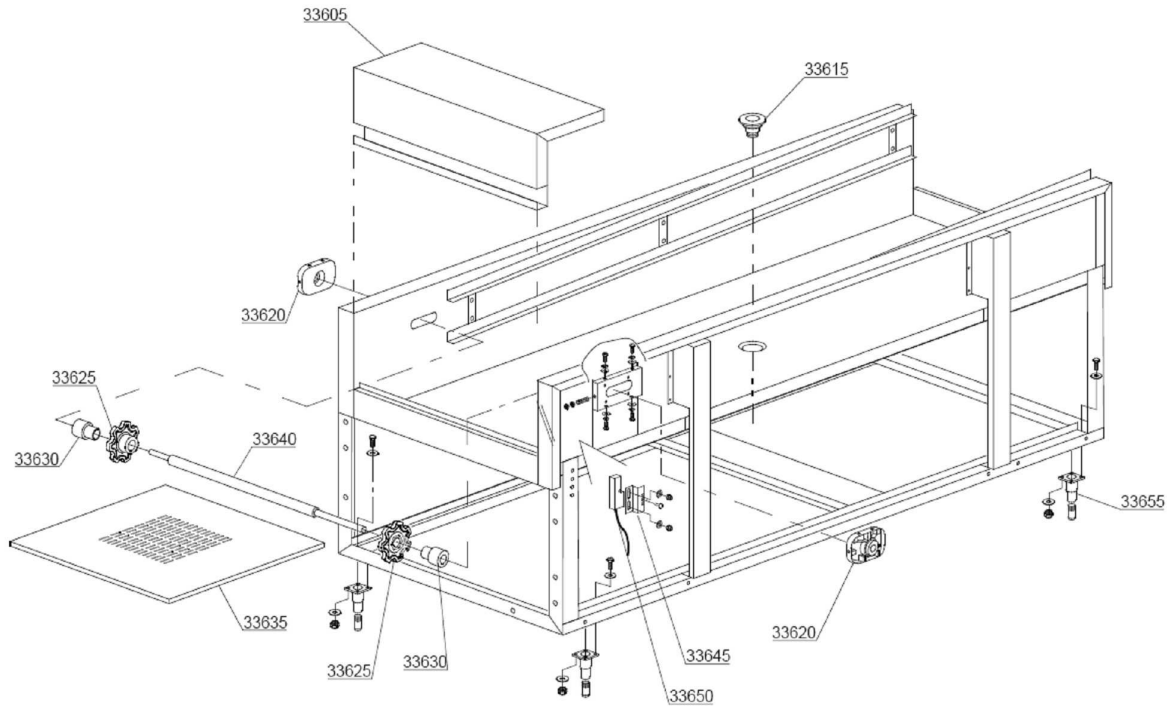


Зип Общепит

vsezip.ru

+7(812)987-08-81

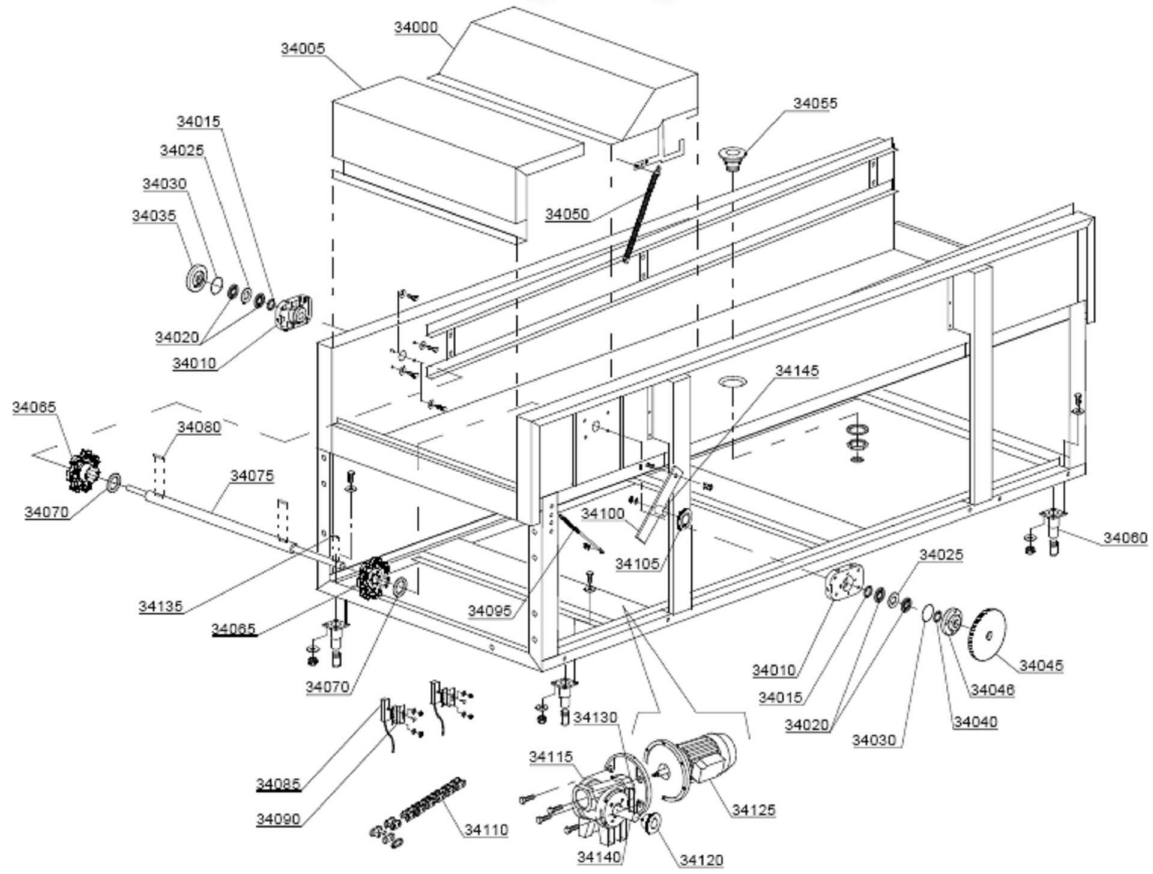
23_002_e



Зип Ощепит

vsezip.ru

+7(812)987-08-81

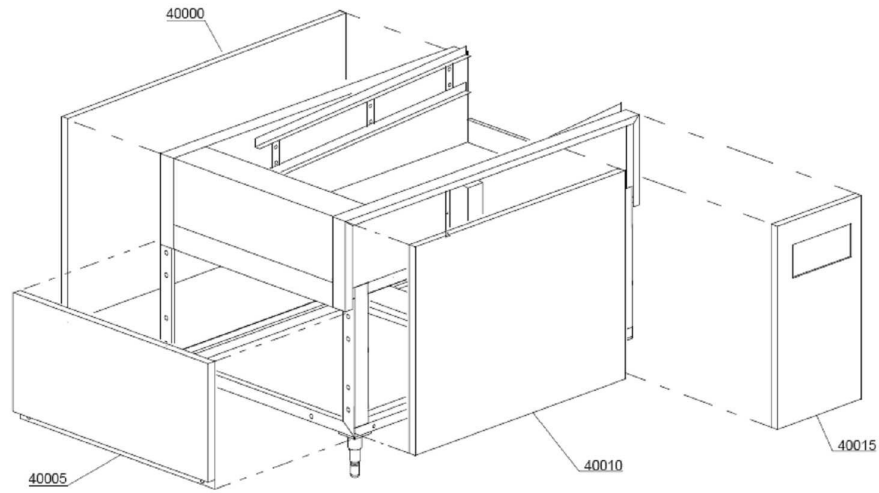


Зип Общепит

vsezip.ru

+7(812)987-08-81

23_004_e

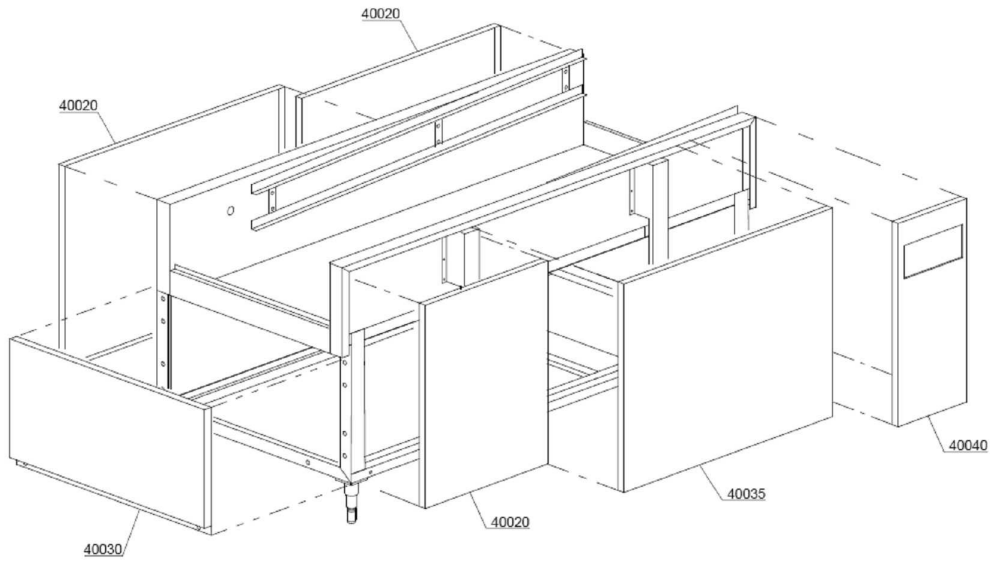


Зип Общепит

vsezip.ru

+7(812)987-08-81

23_005_e

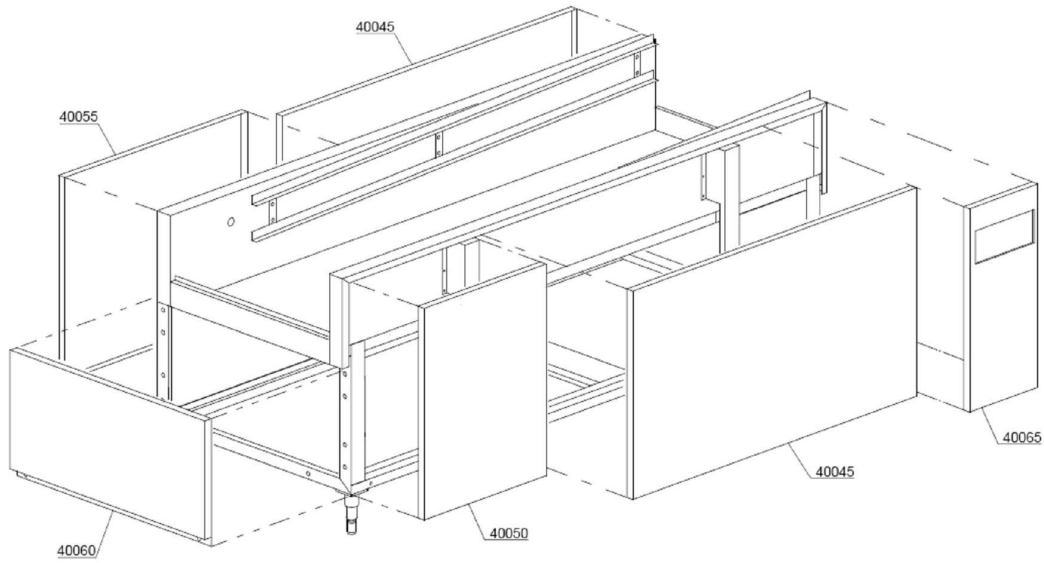


Зип Общепит

vsezip.ru

+7(812)987-08-81

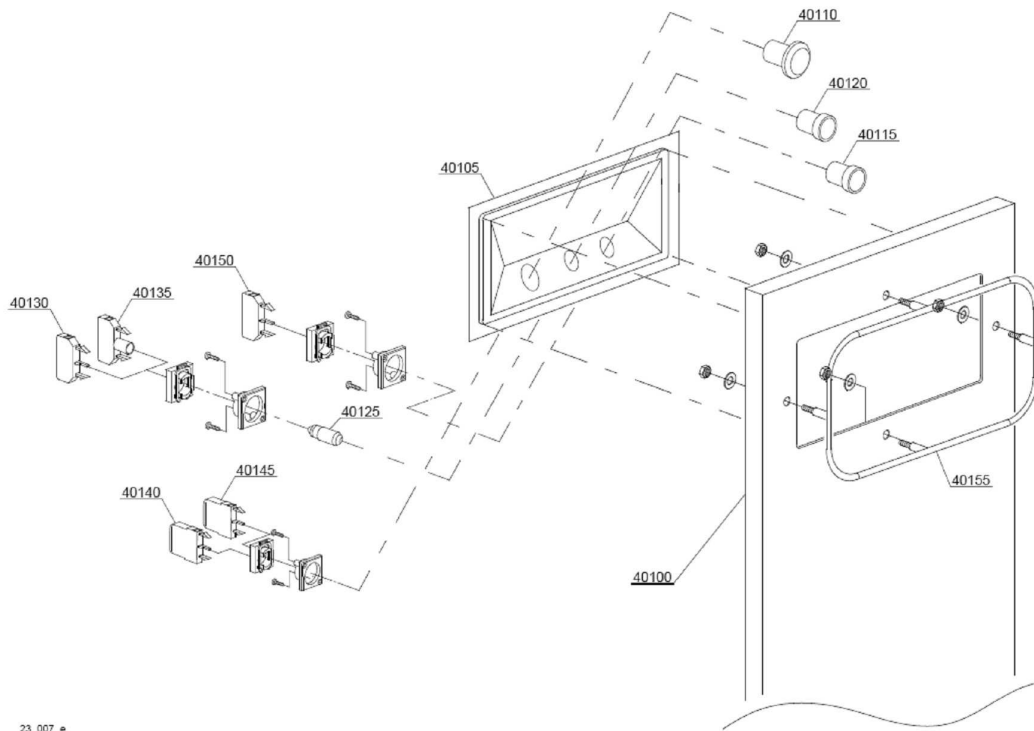
23_000_e



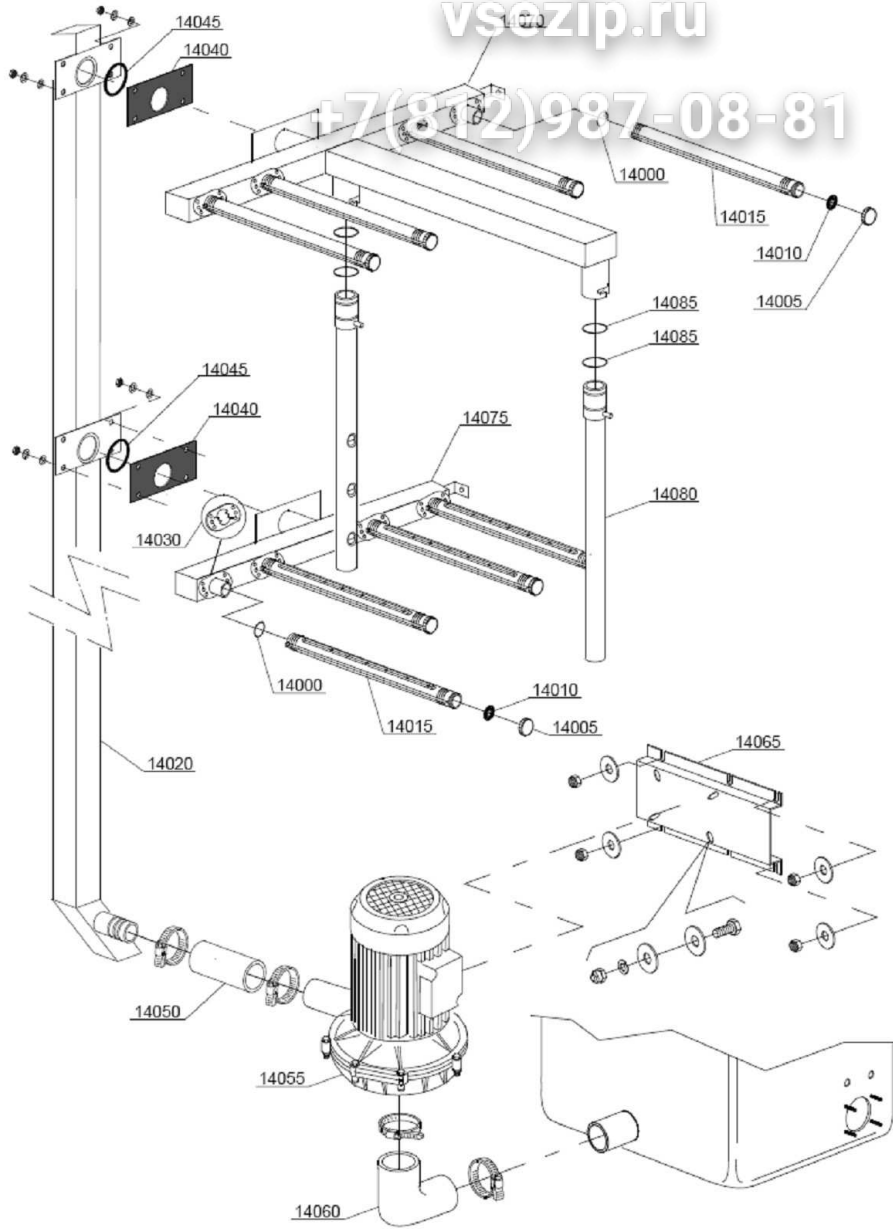
Зип Ощепит

vsezip.ru

+7(812)987-08-81



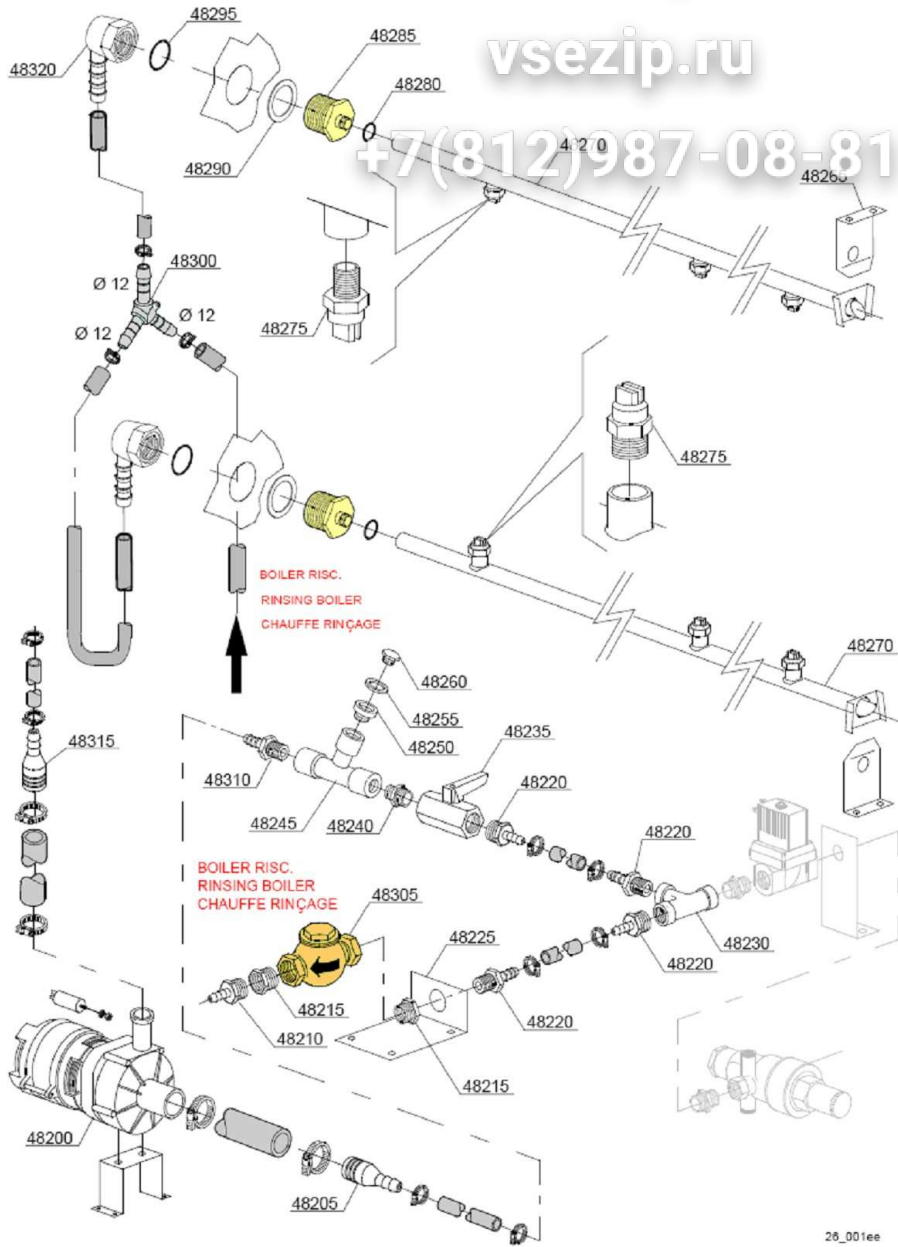
23_007_e



Зип Ощепит

vsezip.ru

+7(812)987-08-81

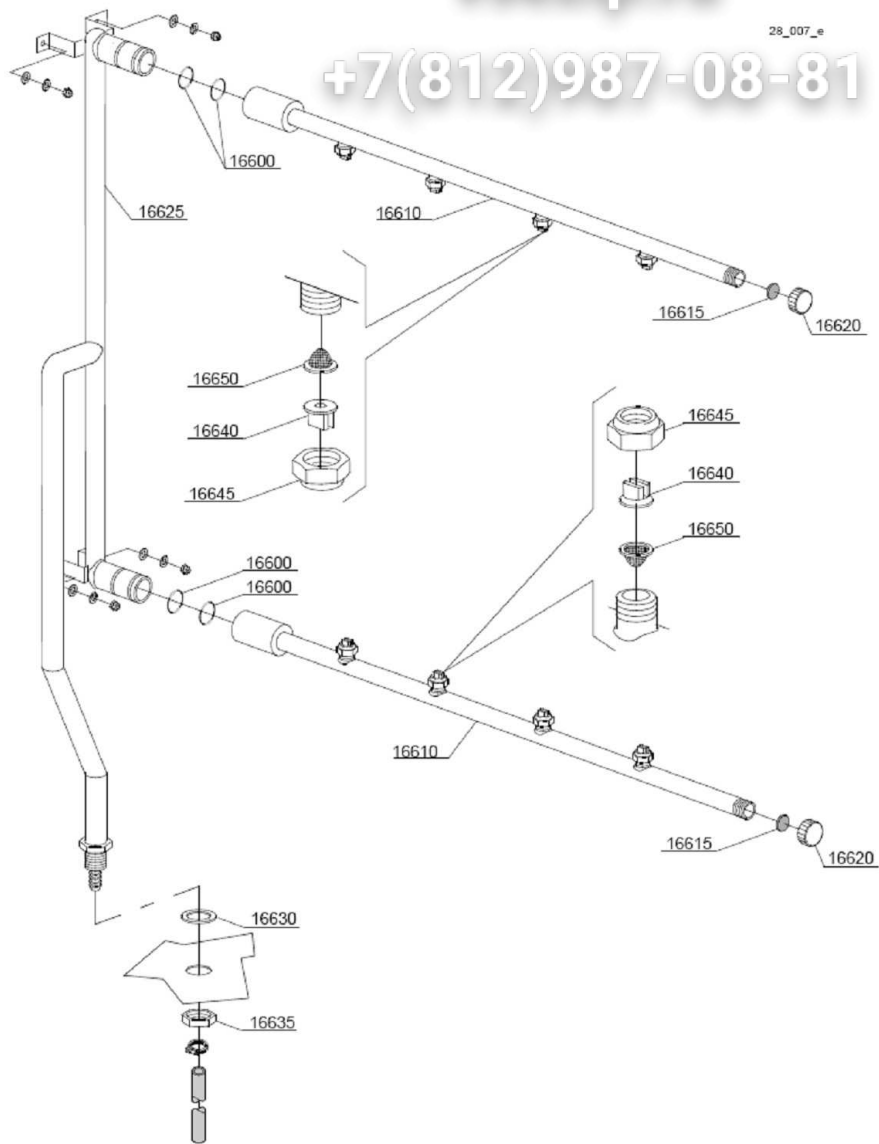


Зип Общепит

vsezip.ru

+7(812)987-08-81

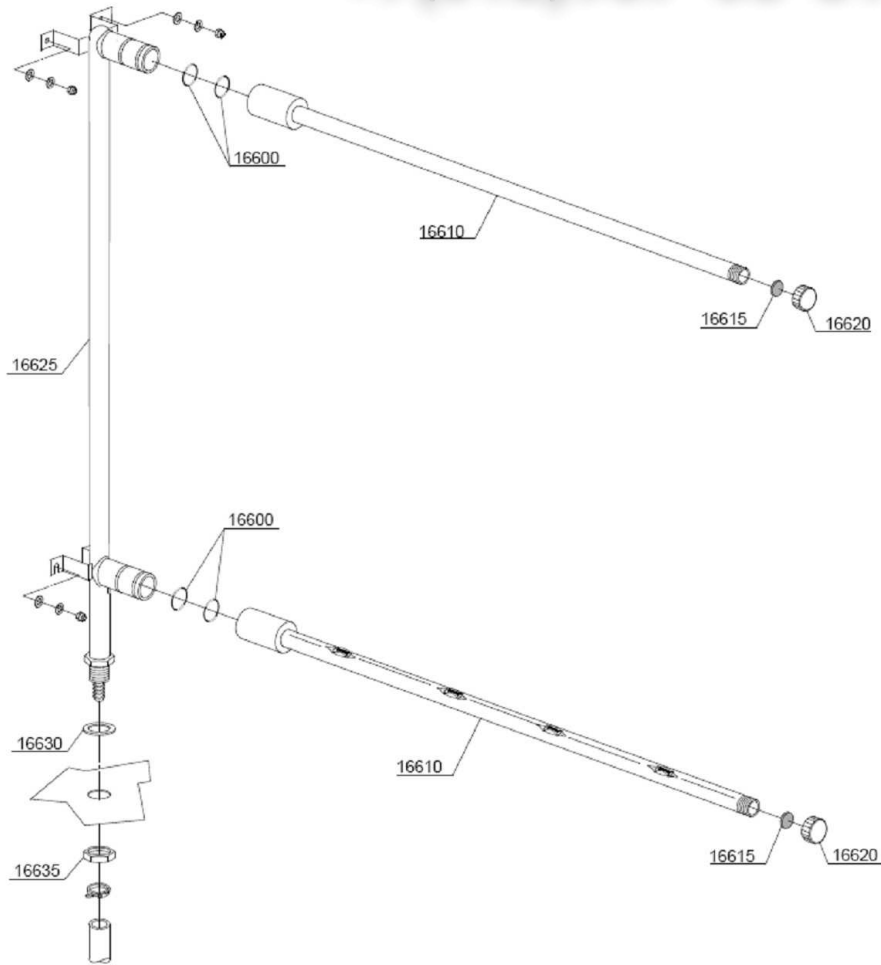
28_007_e



Зип Ощепит

vsezip.ru

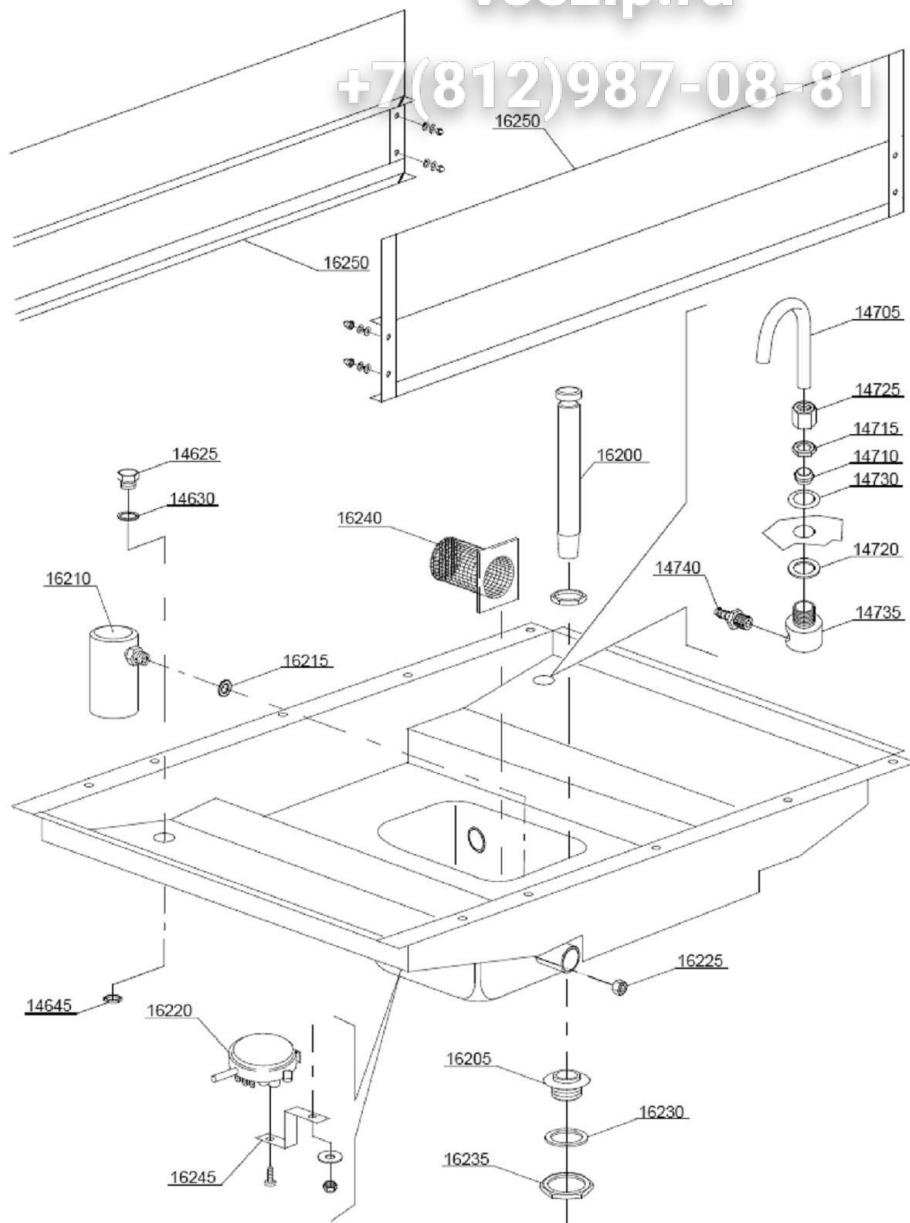
+7(812)987-08-81



Зип Общепит

vsezip.ru

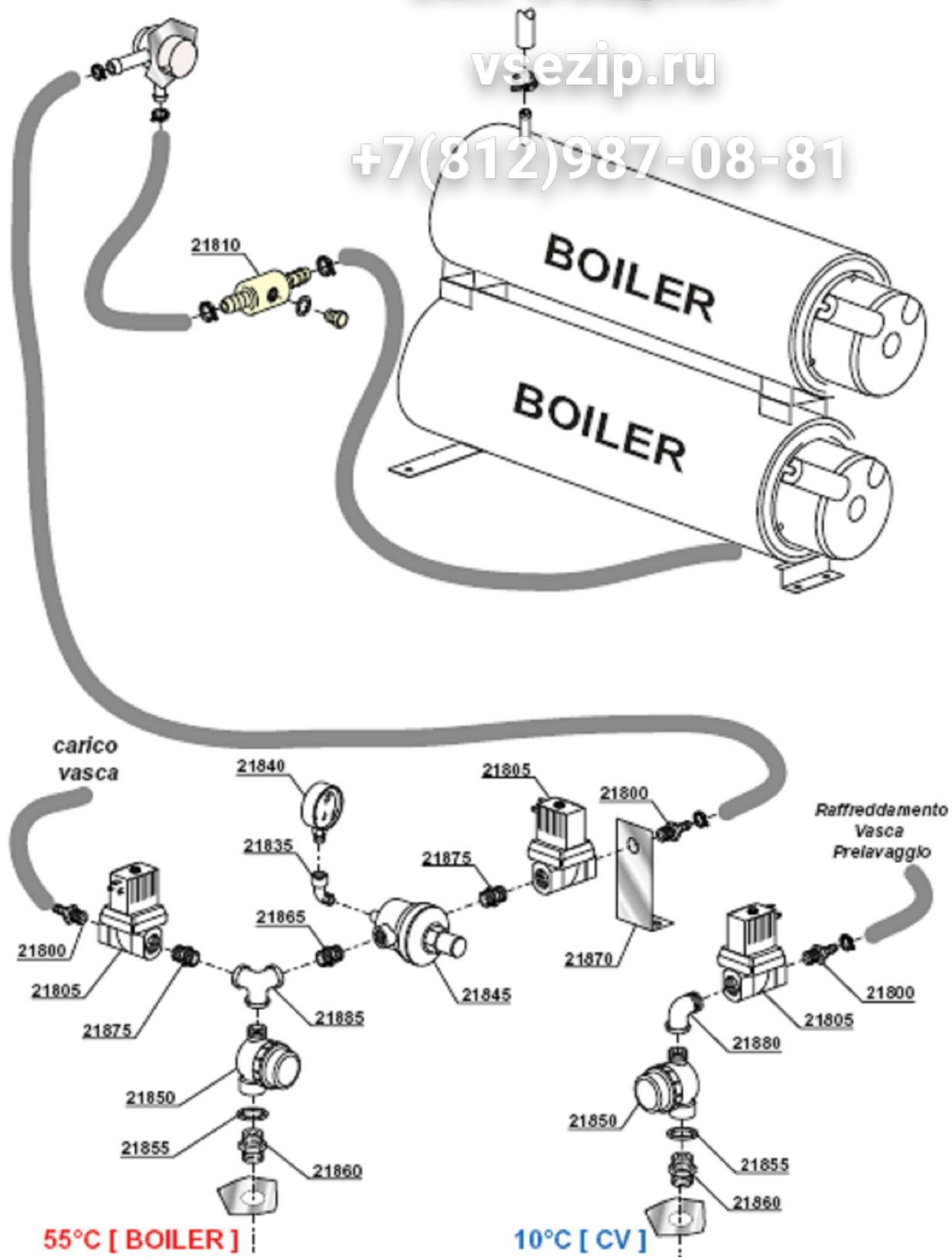
+7(812)987-08-81



Зип Общепит

vsezip.ru

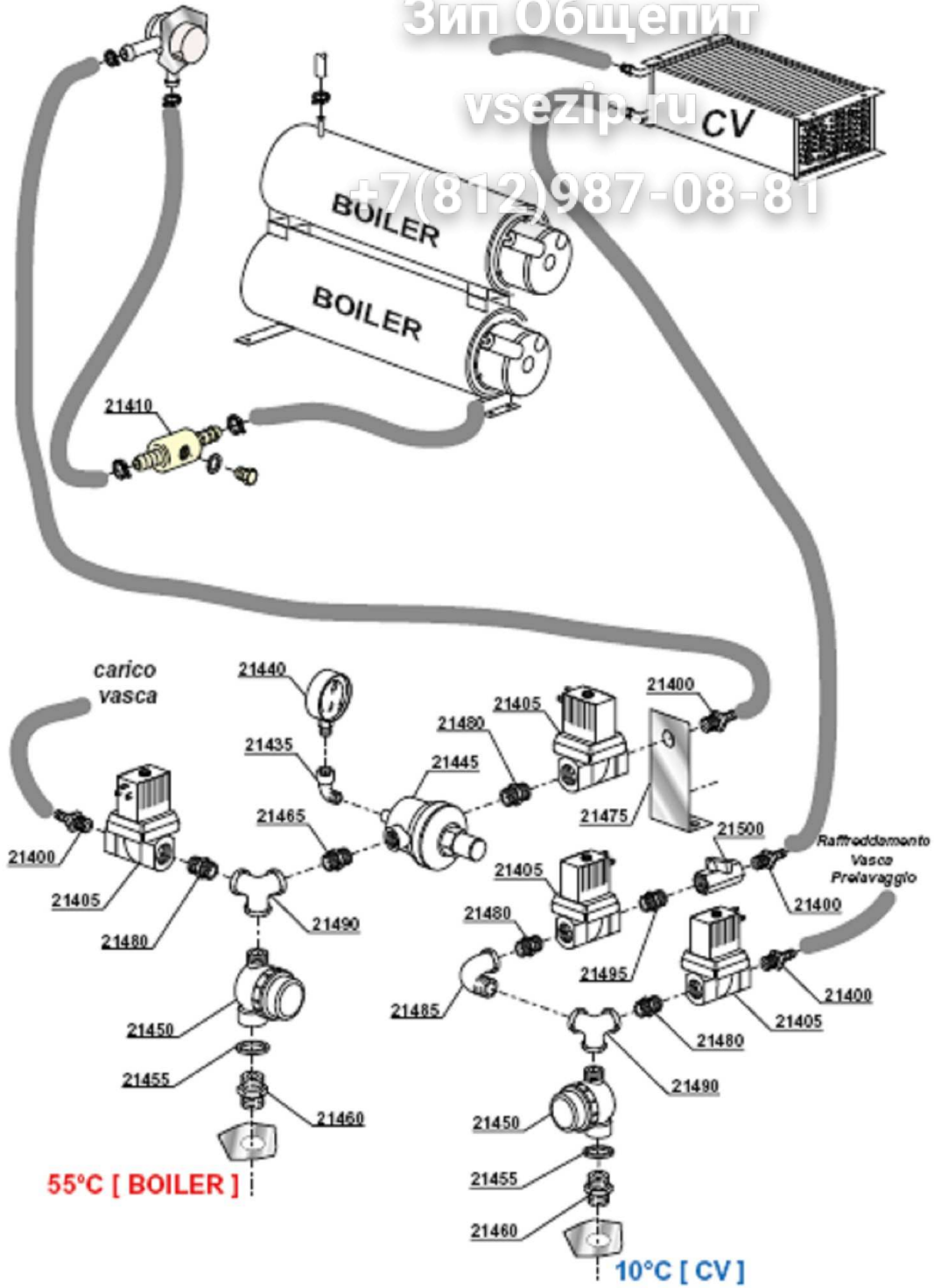
+7(812)987-08-81



Зип Общежит

vsezip.ru

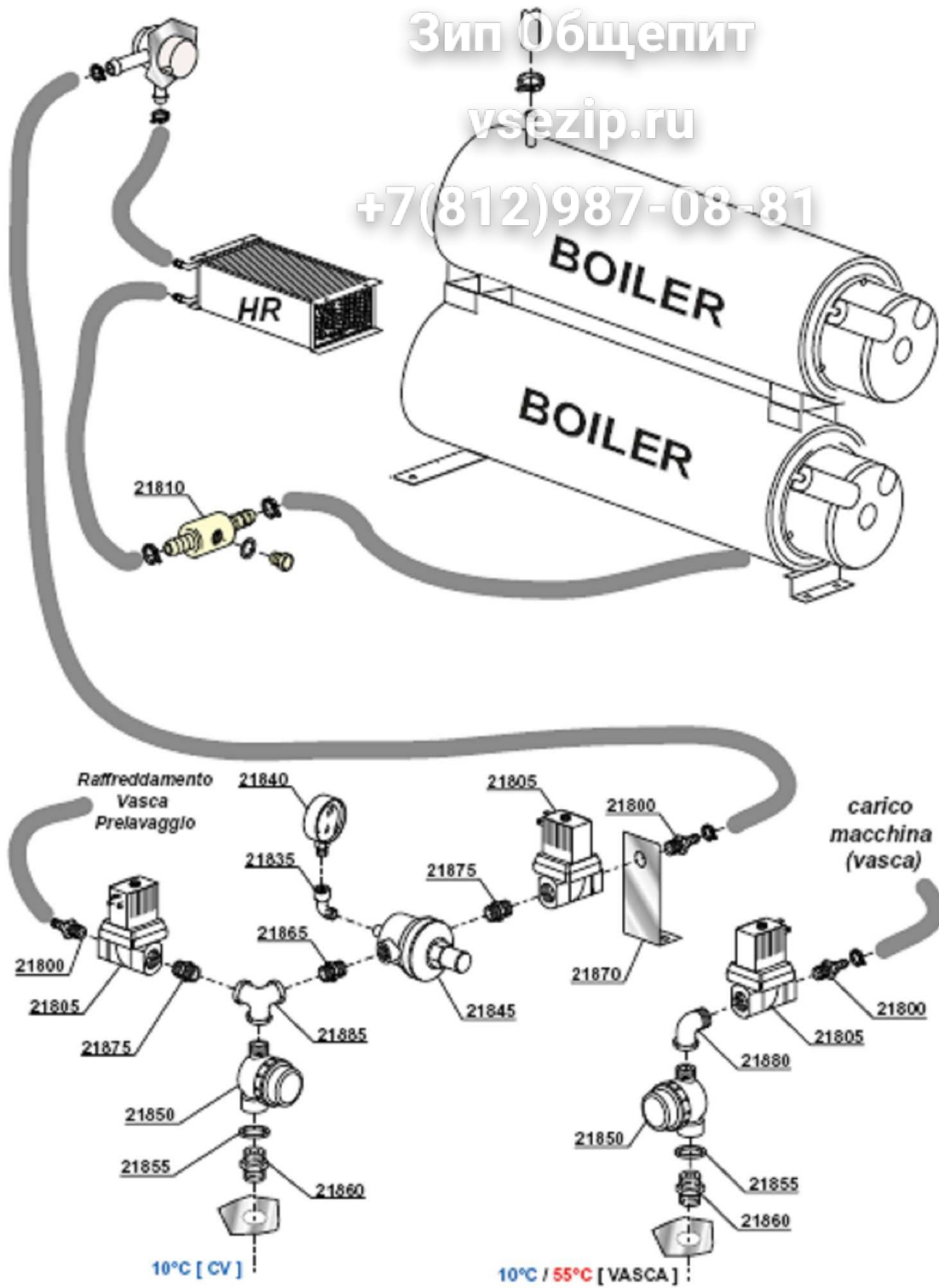
+7(812)987-08-81



Зип ОщепИТ

vsezip.ru

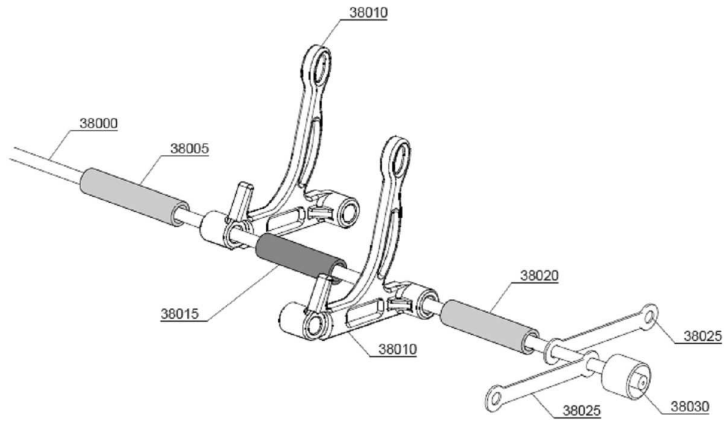
+7(812)987-08-81



Зип Общепит

vsezip.ru

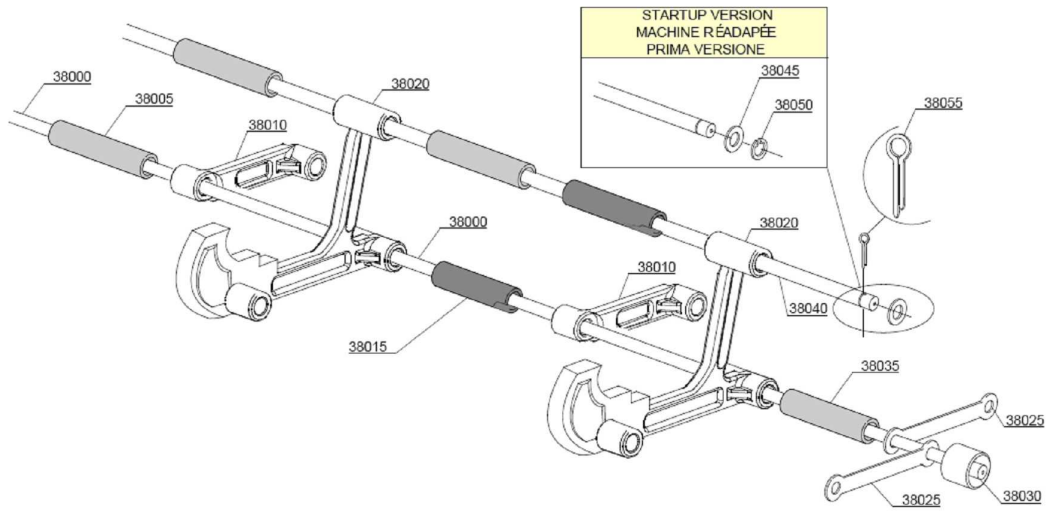
+7(812)987-08-81



Зип Общепит

vsezip.ru

+7(812)987-08-81



Зип Общепит

vsezip.ru

+7(812)987-08-81



Зип Общепит

vsezip.ru

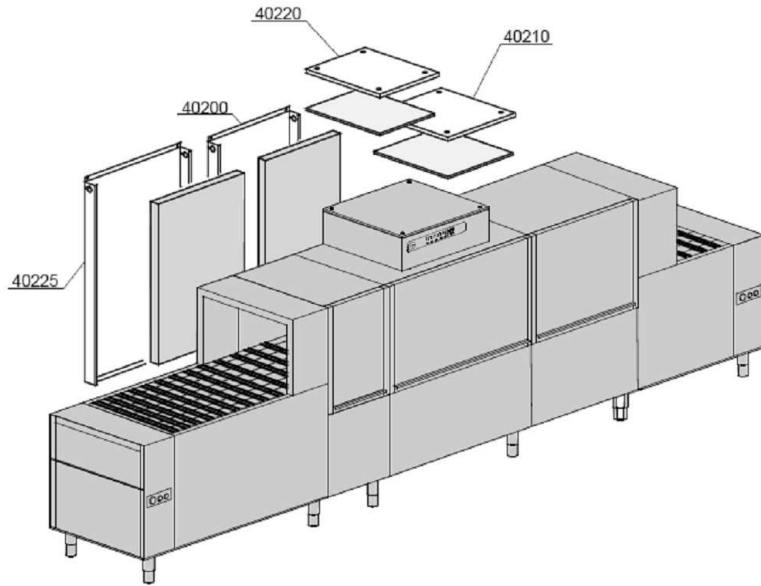
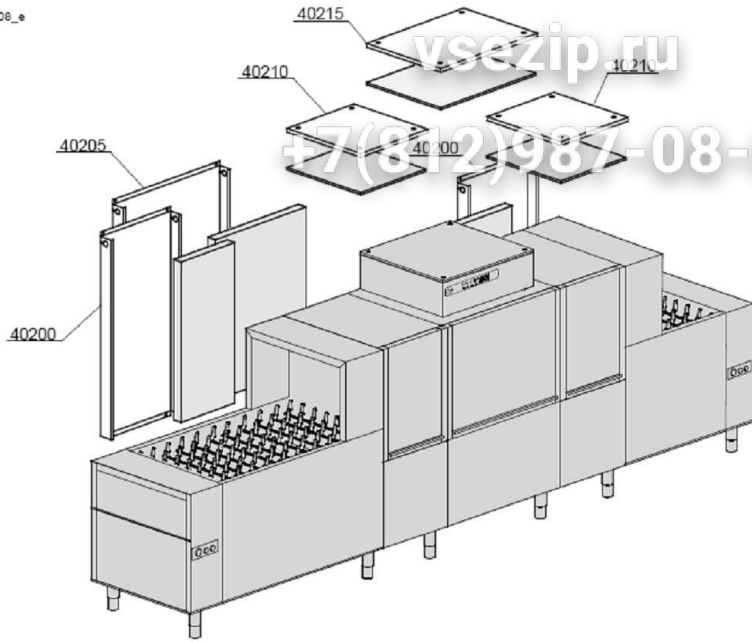
+7(812)987-08-81



37_008_e

vsezip.ru

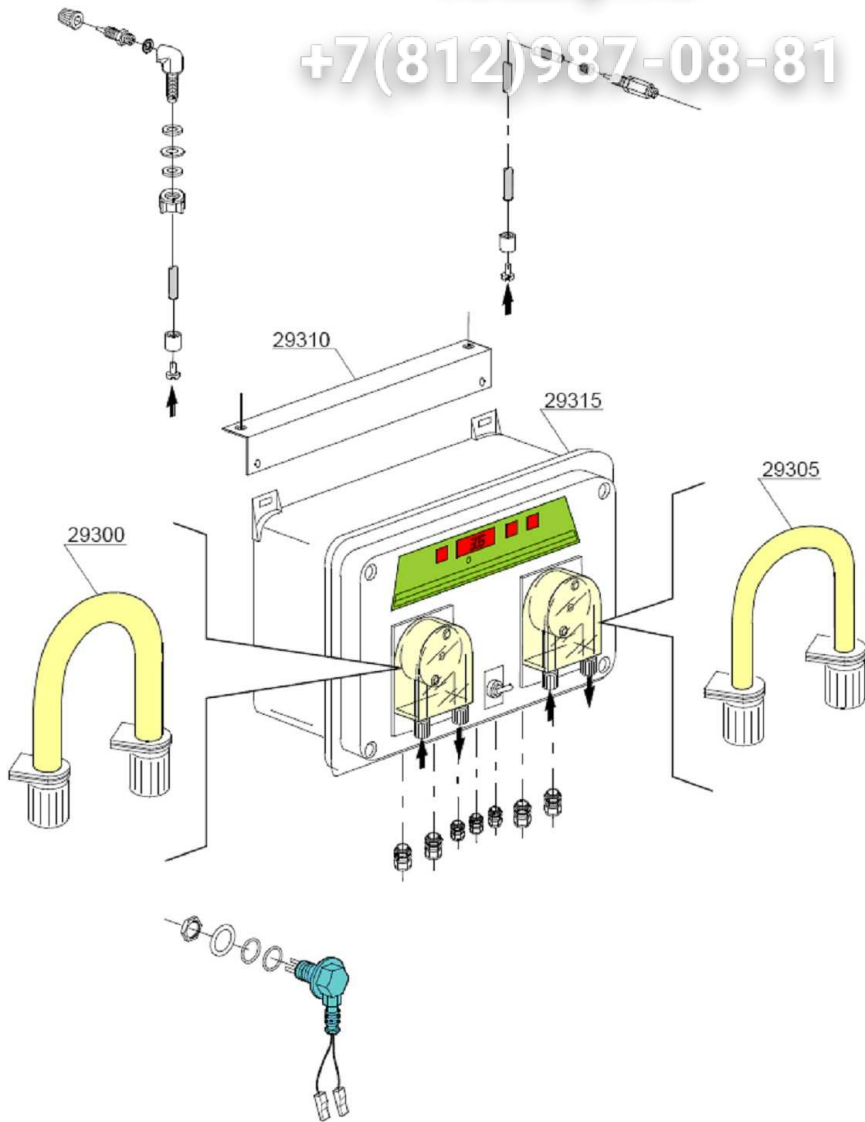
+7(812)987-08-81



Зип Общепит

vsezip.ru

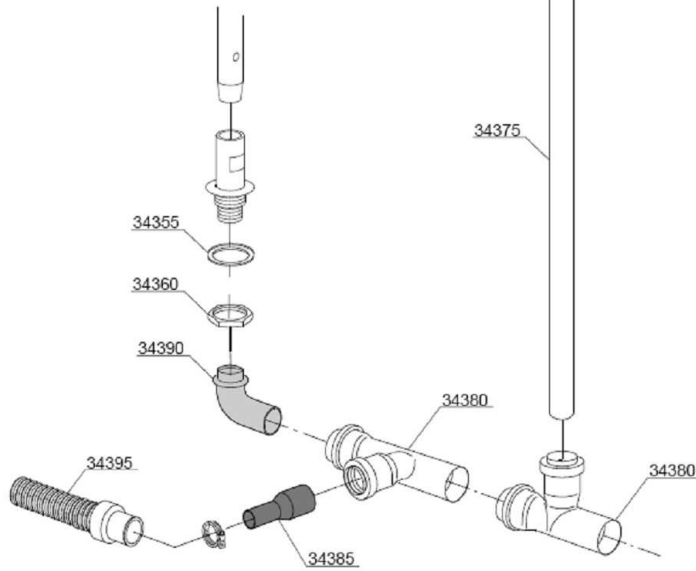
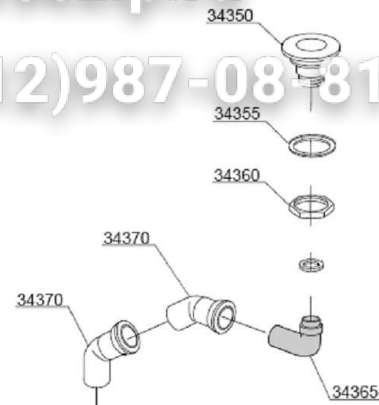
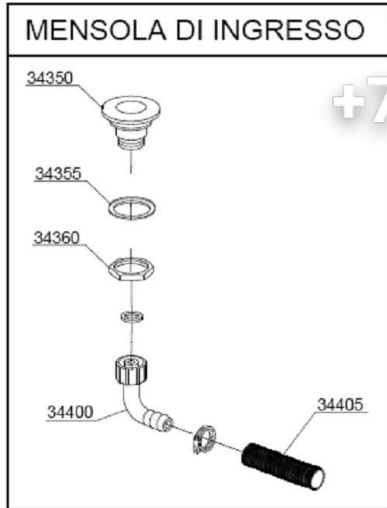
+7(812)987-08-81



Зип Ощепит

vsezip.ru

+7(812)987-08-81



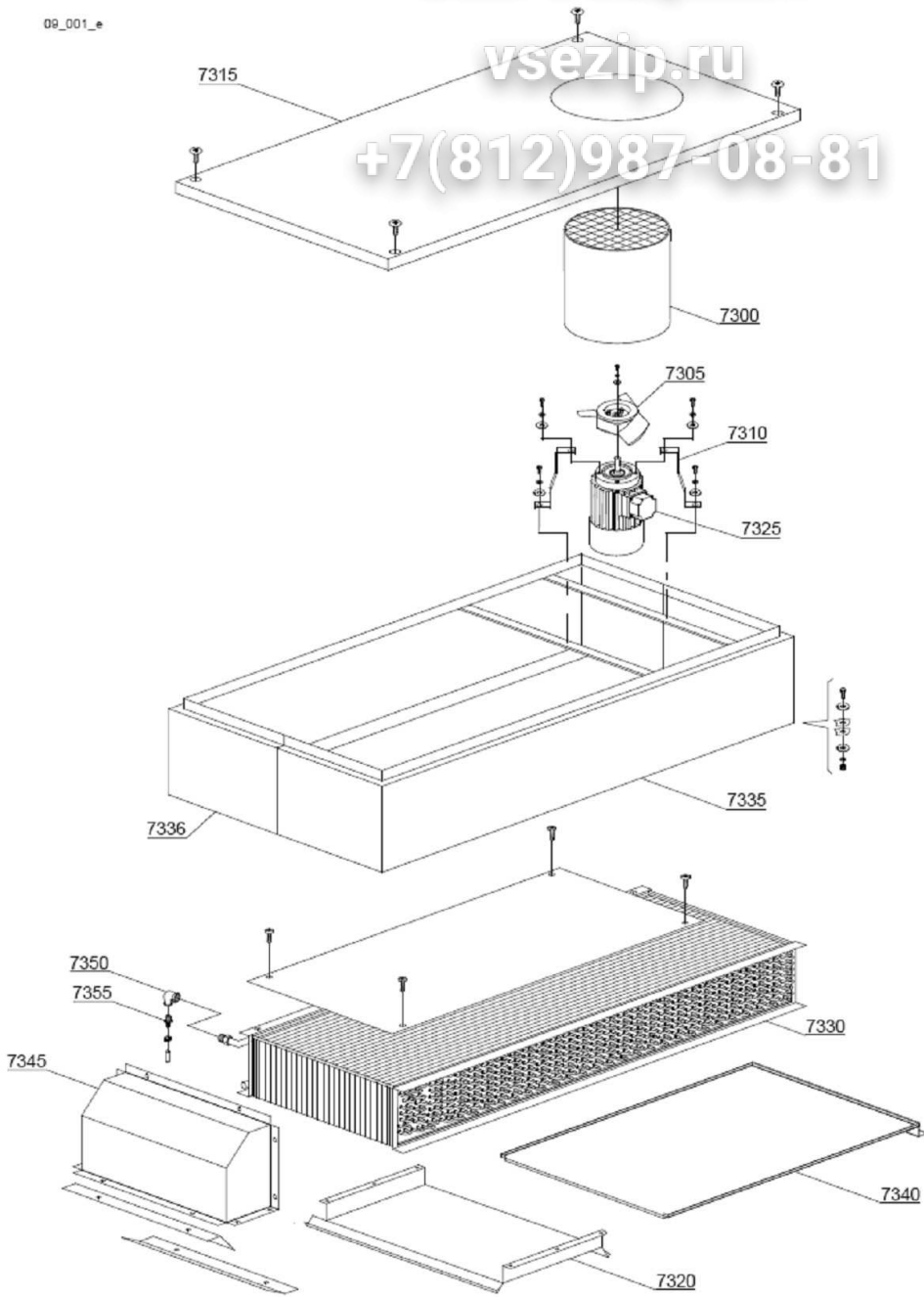
MENSOLA DI USCITA

Зип Общепит

09_001_e

vsezip.ru

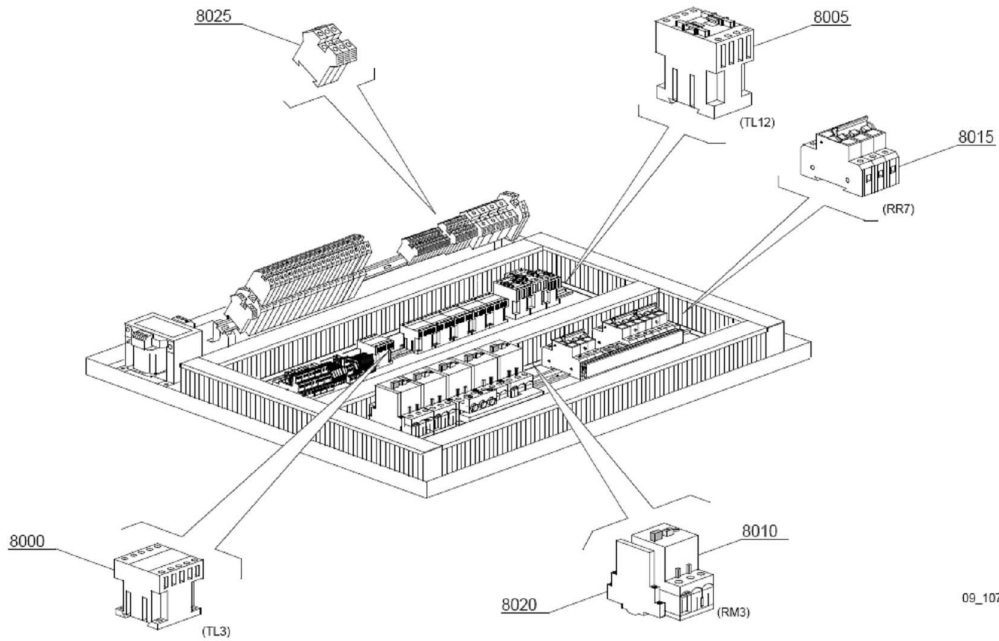
+7(812)987-08-81



Зип Общепит

vsezip.ru

+7(812)987-08-81

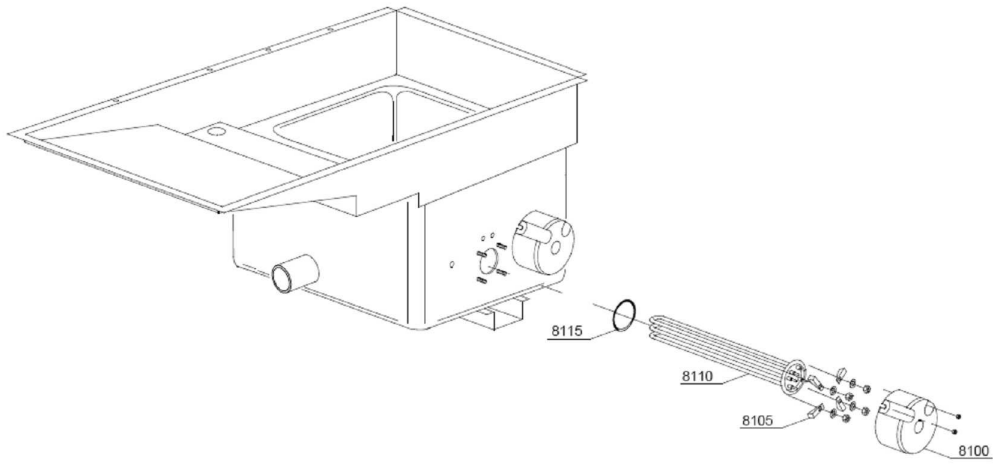


09_107_e

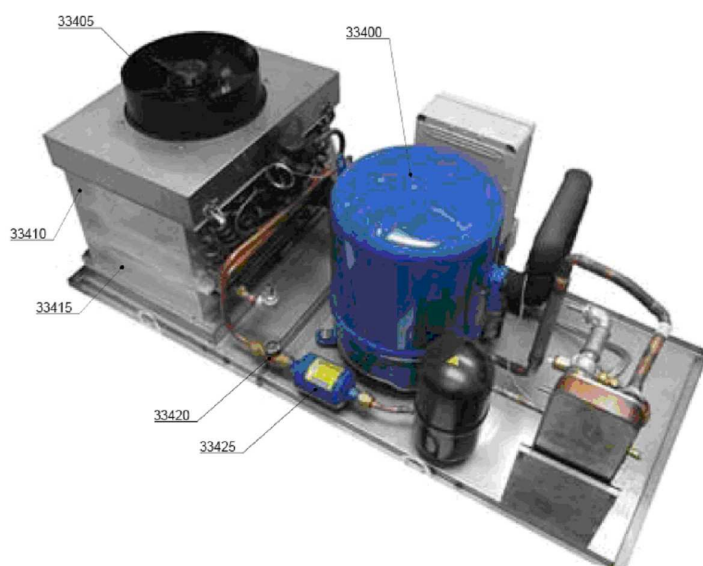
Зип Ощепит

vsezip.ru

+7(812)987-08-81



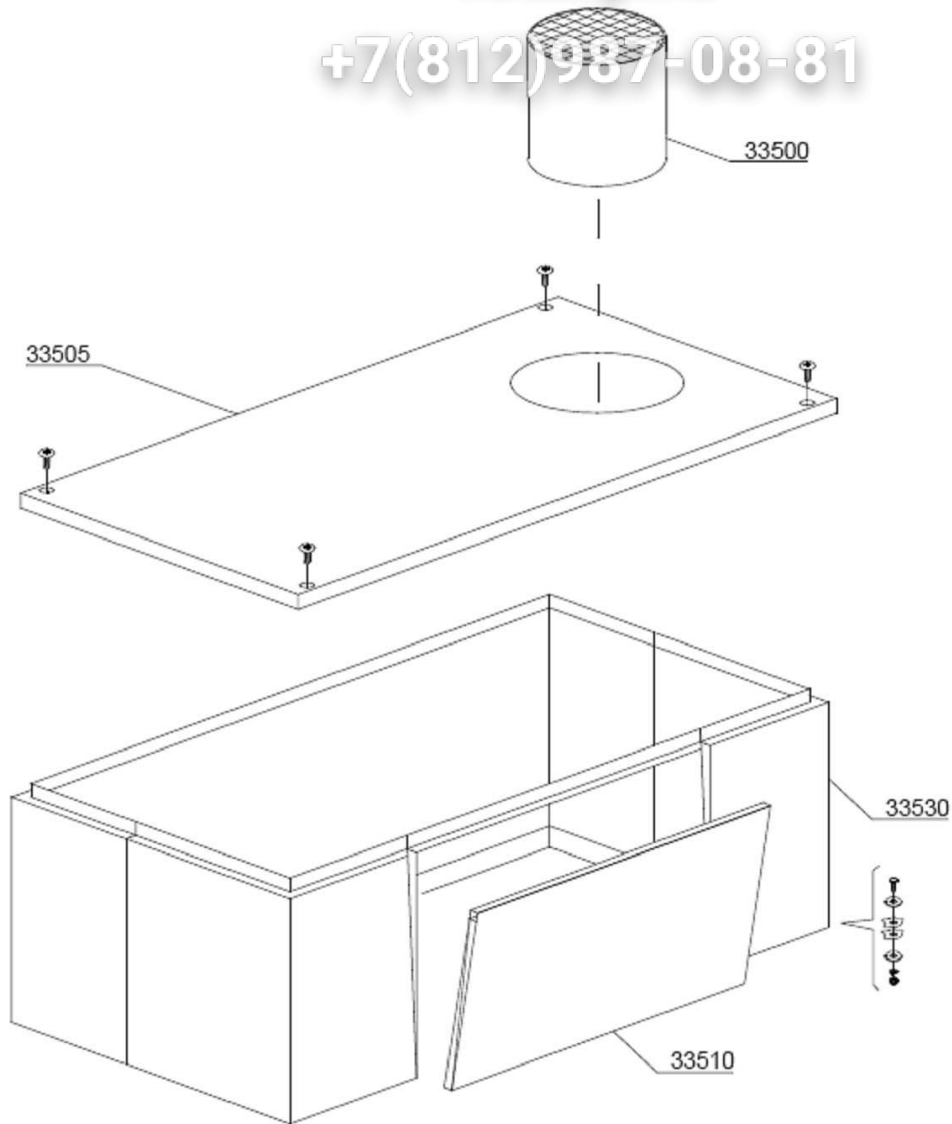
Зип Общепит
vsezip.ru
+7(812)987-08-81



Зип Общепит

vsezip.ru

+7(812)987-08-81

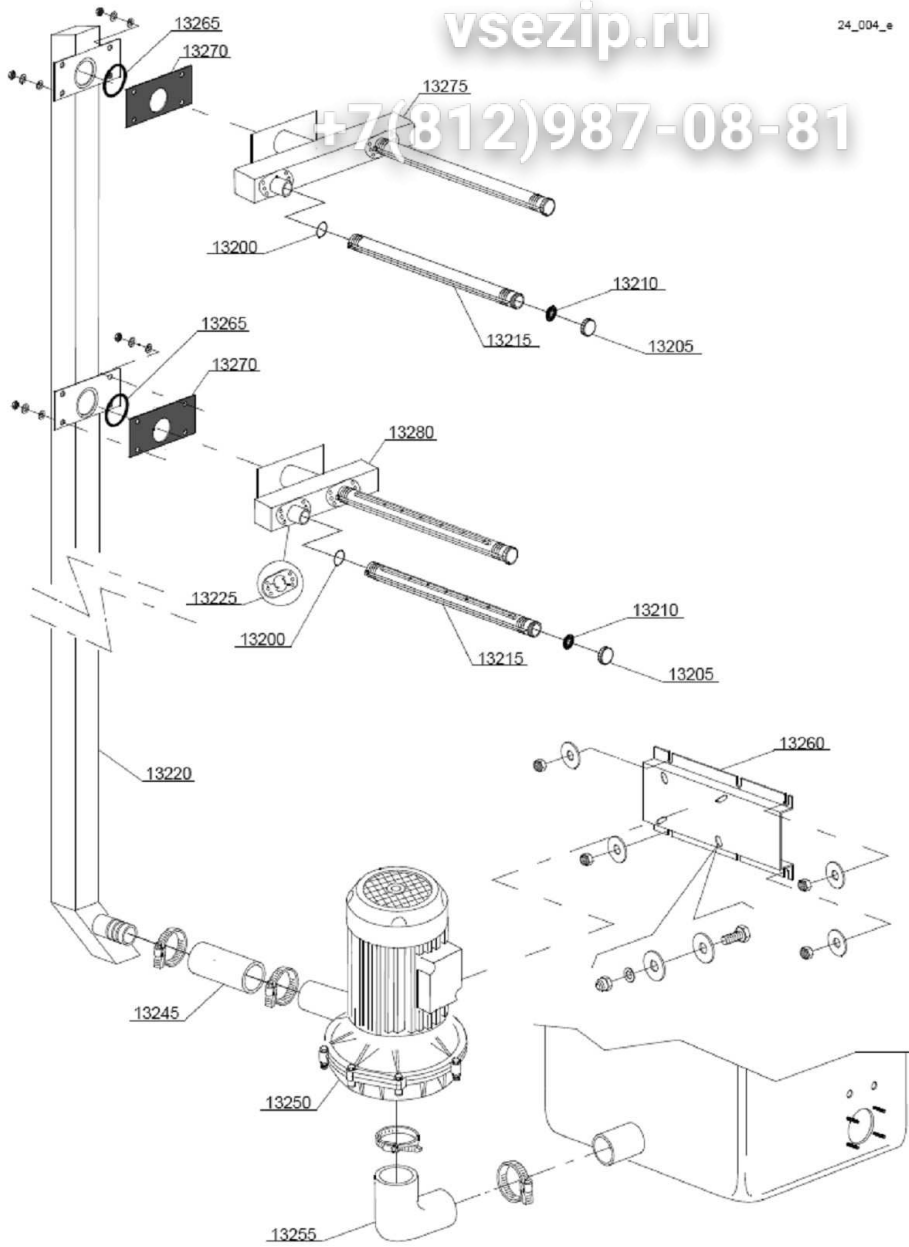


Зип Общепит

vsezip.ru

24_004_e

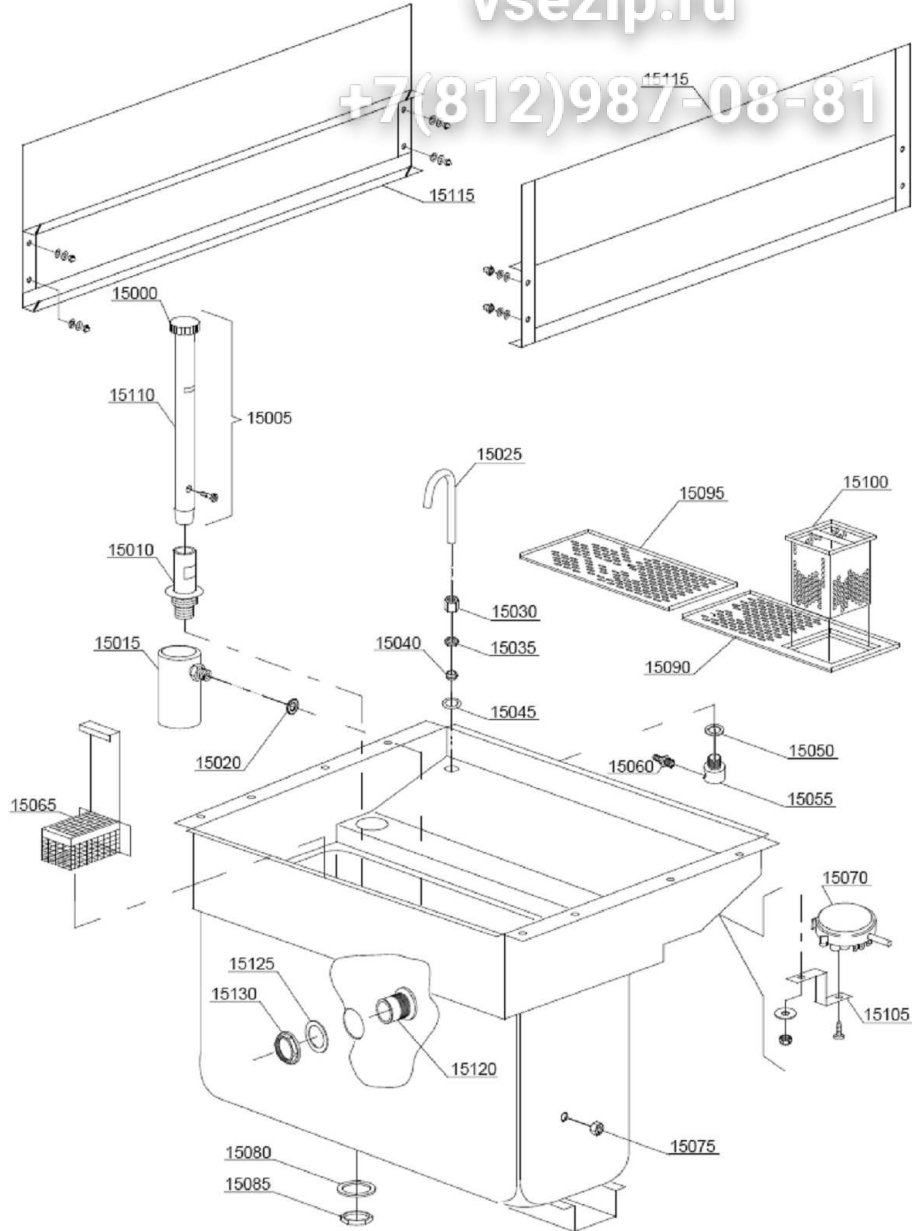
+7(812)987-08-81



Зип Ощепит

vsezip.ru

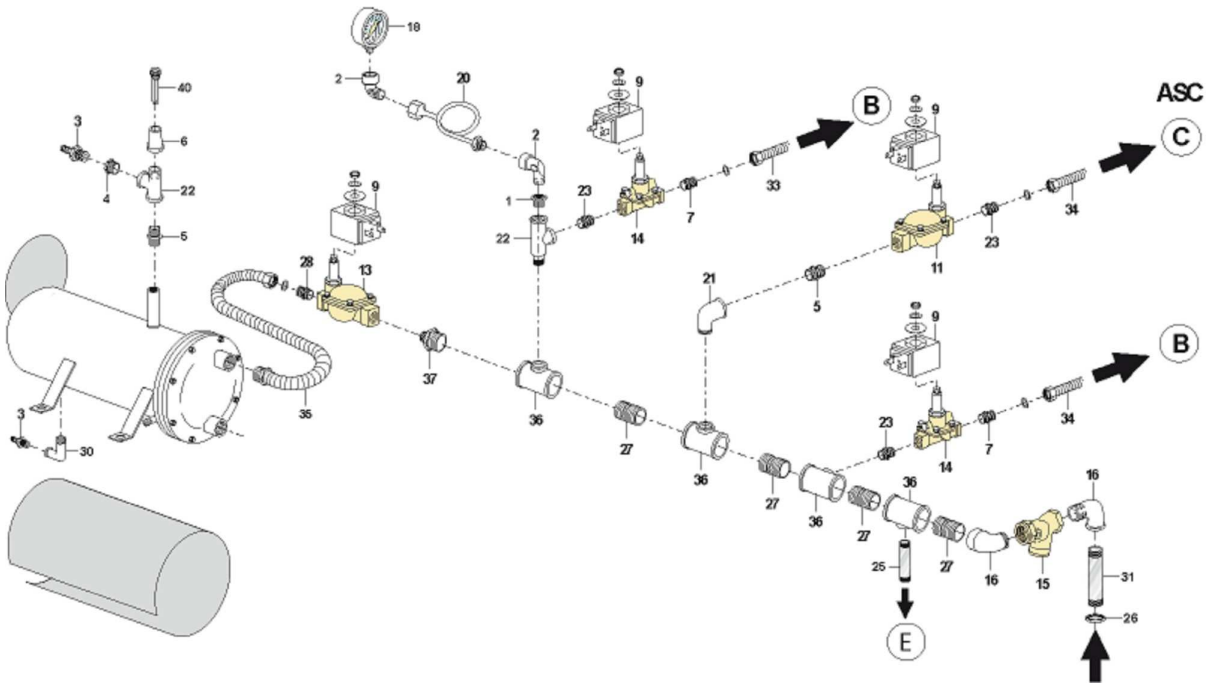
+7(812)987-08-81



Зип Общепит

vsezip.ru

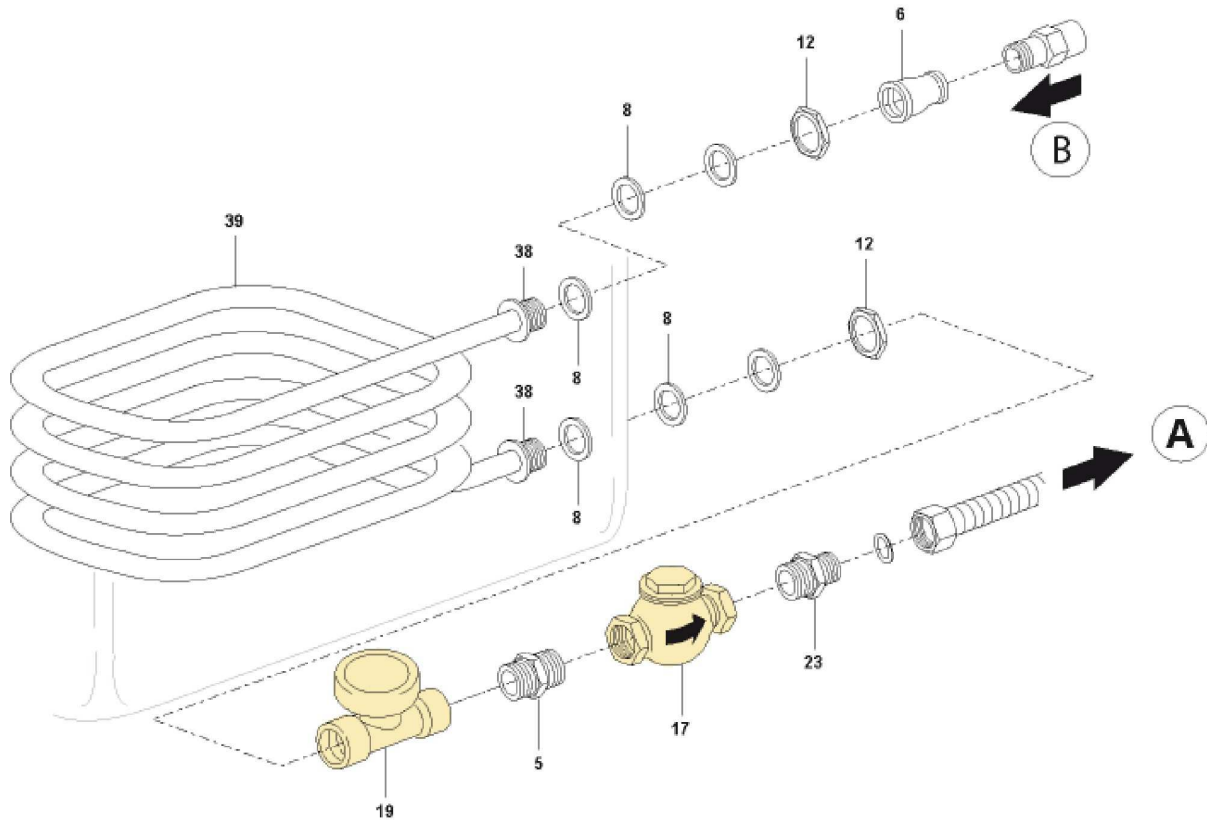
+7(812)987-08-81



Зип Общепит

vsezip.ru

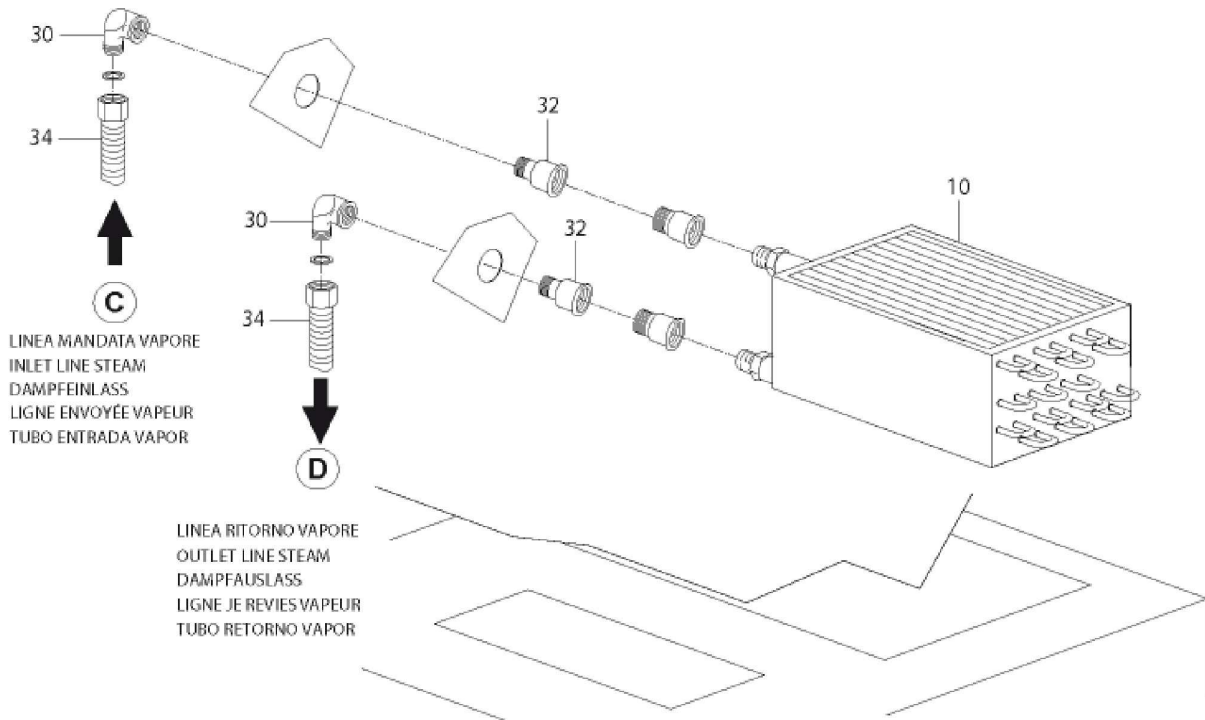
+7(812)987-08-81



Зип Общепит

vsezip.ru

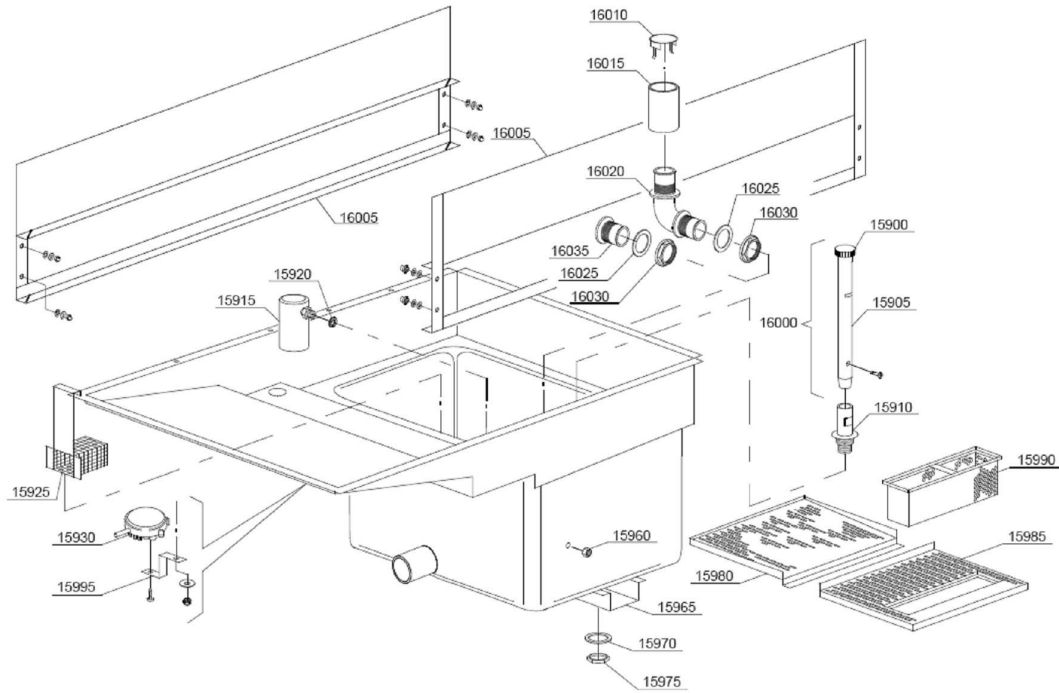
+7(812)987-08-81



Зип Ощепит

vsezip.ru

+7(812)987-08-81



Page	Pos	Code	Description	Info
002	6305	N100VD-Pos.6305	Spring support	01/03/2010-
002	6310	N100VD-Pos.6310	Spring holder	01/03/2010-
002	6315	3270080	Spring clamping plate	01/03/2010-
002	6320	3236420	SPRING	01/03/2010-
002	6325	N100VD-Pos.6325	Door stop	01/03/2010-
002	6330	N100VD-Pos.6330	Door assembly	01/03/2010-
002	6335	N100VD-Pos.6335	Door guide	01/03/2010-
002	6345	N100VD-Pos.6345	Rear panel	01/03/2010-
002	6360	N100VD-Pos.6360	Front cover	01/03/2010-
002	6365	N100VD-Pos.6365	Support microswitch	01/03/2010-
002	6370	3176160	Door microswitch	01/03/2010-
002	6375	N100VD-Pos.6375	Foot	01/03/2010-
002	6380	N100VD-Pos.6380	Slideways	01/03/2010-
002	6385	N100VD-Pos.6385	Spring assembly BBSR	01/03/2010-
003	6605	N100VD-Pos.6605	Spring support	01/03/2010-
003	6610	N100VD-Pos.6610	Spring holder	01/03/2010-
003	6615	3270080	Spring clamping plate	01/03/2010-
003	6620	N100VD-Pos.6620	Door spring BBSR 23	01/03/2010-
003	6625	N100VD-Pos.6625	Door stop	01/03/2010-
003	6630	N100VD-Pos.6630	Door assembly	01/03/2010-
003	6635	N100VD-Pos.6635	Door guide	01/03/2010-
003	6645	N100VD-Pos.6645	Rear panel	01/03/2010-
003	6655	N100VD-Pos.6655	Front cover right	01/03/2010-
003	6655	N100VD-Pos.6655	Front cover left	01/03/2010-
003	6660	N100VD-Pos.6660	Support microswitch	01/03/2010-
003	6665	3176160	Door microswitch	01/03/2010-
003	6670	N100VD-Pos.6670	Foot	01/03/2010-
003	6675	N100VD-Pos.6675	Slideways	01/03/2010-
004	5905	N100VD-Pos.5905	Spring support	01/03/2010-
004	5910	N100VD-Pos.5910	Spring holder	01/03/2010-
004	5915	3270080	Spring clamping plate	01/03/2010-
004	5920	N100VD-Pos.5920	Door spring BBSR 23	01/03/2010-
004	5925	N100VD-Pos.5925	Door stop	01/03/2010-
004	5930	N100VD-Pos.5930	Door assembly	01/03/2010-
004	5935	N100VD-Pos.5935	Door guide	01/03/2010-
004	5945	N100VD-Pos.5945	Rear panel	01/03/2010-
004	5960	N100VD-Pos.5960	Front cover right	01/03/2010-
004	5960	N100VD-Pos.5960	Front cover left	01/03/2010-
004	5965	N100VD-Pos.5965	Support microswitch	01/03/2010-
004	5970	3176160	Door microswitch	01/03/2010-
004	5975	N100VD-Pos.5975	Foot	01/03/2010-
004	5980	N100VD-Pos.5980	Slideways	01/03/2010-
005	33300	N100VD-Pos.33300	Comand parts pannel L=1000	01/03/2010-
005	33300	N100VD-Pos.33300	Comand parts pannel L=800	01/03/2010-
005	33305	3236430	Main board+Touche sensitive	01/03/2010-
005	33310	3201260	Emergency button	01/03/2010-
005	33315	3236160	2NO contact (green)	01/03/2010-
005	33320	3236150	2NC contact (red)	01/03/2010-
005	33325	32V7260	SAFETY THERMOSTAT	01/03/2010-
005	33330	32V7240	0-90°C thermostat	01/03/2010-
005	33335	32W4150	16A SWITCH ONLY	01/03/2010-

Page	Pos	Code	Description	Info
005	33340	32W4210	Switch assembly (PM2)	01/03/2010-
005	33345	N100VD-Pos.33345	Assembly plate	01/03/2010-
005	33350	36U0860	Square grey single support	01/03/2010-
005	33355	33Q6440	Green-orange cam	01/03/2010-
005	33360	32W4260	Green ON-OFF key	01/03/2010-
005	33365	N100VD-Pos.33365	4 display sickscreen processed grill	01/03/2010-
005	33365	N100VD-Pos.33365	3 display sickscreen processed grill	01/03/2010-
005	33365	3236440	2 display sickscreen processed grill	01/03/2010-
005	33366	3236450	Thermostat probe	01/03/2010-
005	33370	3236460	Extend probe thermostat	01/03/2010-
006	28600	N100VD-Pos.28600	5x20 10A Fuse	01/03/2010-
006	28605	3099150	Fuse	01/03/2010-
006	28610	N100VD-Pos.28610	Clamp 35 mm	01/03/2010-
006	28615	N100VD-Pos.28615	Earth clamp 35 mm	01/03/2010-
006	28620	3102250	6mm ² terminal	01/03/2010-
006	28625	N100VD-Pos.28625	Contacteur	01/03/2010-
006	28630	N100VD-Pos.28630	Double clamp 4mm	01/03/2010-
006	28635	N100VD-Pos.28635	DIN guide backstop	01/03/2010-
006	28640	3190610	Contacteur MC9	01/03/2010-
006	28645	N100VD-Pos.28645	Contacteur BF12 (heating element < 9 kW)	01/03/2010-
006	28645	N100VD-Pos.28645	Contacteur BF20 (heating element > 9 kW)	01/03/2010-
006	28650	N100VD-Pos.28650	Contacteur BF20 (heating element > 9	01/03/2010-
006	28655	N100VD-Pos.28655	kW) Motorprotector 1 -	01/03/2010-
006	28660	3236470	1.6A ENGINE CUTOFF	01/03/2010-
006	28665	3236480	ENGINE CUTOFF	01/03/2010-
006	28670	3236490	ENGINE CUTOFF	01/03/2010-
006	28675	N100VD-Pos.28675	2 position electrical contactor LMS25	01/03/2010-
006	28675	N100VD-Pos.28675	3 position electrical contactor LMS25	01/03/2010-
006	28675	N100VD-Pos.28675	4 position electrical contactor LMS25	01/03/2010-
006	28675	N100VD-Pos.28675	5 position electrical contactor LMS25	01/03/2010-
006	28680	N100VD-Pos.28680	Clamp	01/03/2010-
006	28685	N100VD-Pos.28685	Automatic fuse C20 (heating element < 9 kW)	01/03/2010-
006	28685	N100VD-Pos.28685	Automatic fuse C25 (heating element > 9 kW)	01/03/2010-
006	28690	N100VD-Pos.28690	Automatic fuse C20 (heating element < 9 kW)	01/03/2010-
006	28690	N100VD-Pos.28690	Automatic fuse C25 (heating element > 9	01/03/2010-
006	28695	N100VD-Pos.28695	kW) Transformer 200VA	01/03/2010-
006	28700	3236500	RELAY	01/03/2010-
006	28705	N100VD-Pos.28705	Base for relay	01/03/2010-
006	28710	3236510	Auxiliary contact LMS25	01/03/2010-
006	28715	N100VD-Pos.28715	Fuse holder	01/03/2010-
006	28720	N100VD-Pos.28720	Control panel cover	01/03/2010-
006	28725	N100VD-Pos.28725	Electric parts panel L=800	01/03/2010-
006	28725	N100VD-Pos.28725	Electric parts panel L=1000	01/03/2010-
006	28725	N100VD-Pos.28725	Electric parts panel L=1300	01/03/2010-
006	28740	N100VD-Pos.28740	Clamp 4mm	01/03/2010-
006	28745	N100VD-Pos.28745	Cable-fastener PG29	01/03/2010-
006	28750	N100VD-Pos.28750	Lock nut	01/03/2010-
006	28755	N100VD-Pos.28755	Plug PG29	01/03/2010-

Page	Pos	Code	Description	Info
006	28760	N100VD-Pos.28760	Fuse holder covering plate	01/03/2010-
006	28765	N100VD-Pos.28765	Double clamp covering plate 4mm	01/03/2010-
006	28770	N100VD-Pos.28770	Clamp covering plate 4mm	01/03/2010-
006	28775	N100VD-Pos.28775	Clamp covering plate 35mm	01/03/2010-
006	28780	N100VD-Pos.28780	MC9 auxiliary contact 2NO	01/03/2010-
006	28780	3025110	MC9.10 24V 1NA-1NO auxiliary contact	01/03/2010-
006	28780	3236150	2NC contact (red)	01/03/2010-
006	28785	N100VD-Pos.28785	DIN guide support	01/03/2010-
006	28790	N100VD-Pos.28790	Electrical bonding bar	01/03/2010-
006	28795	N100VD-Pos.28795	Insulators	01/03/2010-
006	28800	N100VD-Pos.28800	Connection bar	01/03/2010-
006	28805	N100VD-Pos.28805	Mechanical lock safety	01/03/2010-
006	28810	N100VD-Pos.28810	Feed clamp 35mm	01/03/2010-
006	28815	N100VD-Pos.28815	Clamp 35 mm	01/03/2010-
006	28815	N100VD-Pos.28815	Clamp 70mm	01/03/2010-
007	6900	3245770	Economizer	01/03/2010-
007	6905	3245740	Economizer bar	01/03/2010-
007	6910	N100VD-Pos.6910	Economizer support	01/03/2010-
007	6915	3245780	Magnet holder	01/03/2010-
007	6920	3245790	Magnet	01/03/2010-
007	6925	33Q6490	Nut for hub	01/03/2010-
007	6930	33Q6600	Hub for rotor	01/03/2010-
008	7000	N100VD-Pos.7000	Curtain moulding	01/03/2010-
008	7005	3245430	Curtain rod short	01/03/2010-
008	7010	3245440	Curtain rod long	01/03/2010-
008	7015	N100VD-Pos.7015	Curtain support	01/03/2010-
008	7020	3205350	Curtain long	01/03/2010-
008	7025	3245450	Curtain short	01/03/2010-
009	7200	N100VD-Pos.7200	Time relay 24V	01/03/2010-
009	7205	N100VD-Pos.7205	MC9 auxiliary contact 2NO	01/03/2010-
009	7205	3025110	MC9.10 24V 1NA-1NO auxillary contact	01/03/2010-
009	7205	3236150	2NC contact (red)	01/03/2010-
010	8200	N100VD-Pos.8200	PROTECTION	01/03/2010-
010	8205	N100VD-Pos.8205	Cover panel	01/03/2010-
010	8210	N100VD-Pos.8210	Complete body	01/03/2010-
010	8215	N100VD-Pos.8215	Dryer module	01/03/2010-
010	8230	N100VD-Pos.8230	Flow conveyor	01/03/2010-
010	8235	N100VD-Pos.8235	Splash guard	01/03/2010-
010	8240	N100VD-Pos.8240	Air covering	01/03/2010-
010	8245	N100VD-Pos.8245	Dryer carter lockup	01/03/2010-
011	8505	N100VD-Pos.8505	Thermostat knob	01/03/2010-
011	8510	N100VD-Pos.8510	Thermostat support	01/03/2010-
011	8515	N100VD-Pos.8515	Thermostat with shaft 0 - 300	01/03/2010-
011	8525	N100VD-Pos.8525	Cover drying conveyor	01/03/2010-
011	8530	N100VD-Pos.8530	Right drying conveyor	01/03/2010-
011	8530	N100VD-Pos.8530	Left drying conveyor	01/03/2010-
011	8545	N100VD-Pos.8545	Gasket 17x25x2	01/03/2010-
011	8550	N100VD-Pos.8550	Drying heating element with nut	01/03/2010-
011	8555	N100VD-Pos.8555	Motorfan 0.55 kW	01/03/2010-
011	8555	3270090	Motorfan 1,1 kW	01/03/2010-
011	8560	N100VD-Pos.8560	Motorfan support	01/03/2010-

Page	Pos	Code	Description	Info
011	8565	N100VD-Pos.8565	Pump rotor 0,55 kW	01/03/2010-
012	29010	3190610	Contactora MC9	01/03/2010-
012	29015	N100VD-Pos.29015	Contactora BF12 (heating element < 9 kW)	01/03/2010-
012	29015	N100VD-Pos.29015	Contactora BF20 (heating element > 9	01/03/2010-
012	29020	3236480	kW) ENGINE CUTOUT	01/03/2010-
012	29020	3236490	ENGINE CUTOUT	01/03/2010-
012	29025	N100VD-Pos.29025	Automatic fuse C20 (heating element < 9 kW)	01/03/2010-
012	29025	N100VD-Pos.29025	Automatic fuse C25 (heating element > 9	01/03/2010-
012	29030	3236510	kW) Auxiliary contact	01/03/2010-
013	8200	N100VD-Pos.8200	Cover panel	01/03/2010-
013	8205	N100VD-Pos.8205	Dryer carter lockup	01/03/2010-
013	8210	N100VD-Pos.8210	Complete body	01/03/2010-
013	8215	N100VD-Pos.8215	Spring support	01/03/2010-
013	8220	N100VD-Pos.8220	Spring holder	01/03/2010-
013	8225	3236420	SPRING	01/03/2010-
013	8230	3270080	Spring clamping plate	01/03/2010-
013	8235	N100VD-Pos.8235	Door stop	01/03/2010-
013	8240	N100VD-Pos.8240	Spring assembly BBSR 22	01/03/2010-
013	8245	N100VD-Pos.8245	Door guide	01/03/2010-
013	8250	N100VD-Pos.8250	Door assembly	01/03/2010-
013	8255	N100VD-Pos.8255	Flow conveyor	01/03/2010-
013	8265	N100VD-Pos.8265	Rear panel	01/03/2010-
013	8270	N100VD-Pos.8270	Slideways	01/03/2010-
013	8275	N100VD-Pos.8275	Front cover	01/03/2010-
013	8280	N100VD-Pos.8280	Support microswitch	01/03/2010-
013	8285	3176160	Door microswitch	01/03/2010-
013	8290	N100VD-Pos.8290	Foot	01/03/2010-
013	8295	N100VD-Pos.8295	Lower drying arm	01/03/2010-
013	8300	N100VD-Pos.8300	Side drying arm	01/03/2010-
013	8330	3236100	Tube for turbine D-41	01/03/2010-
014	46130	3236080	MEDIO JET turbo- blowers (3-kW 230/400V 50Hz)	01/03/2010-
014	46135	3244530	Cartridge filter turbo- blowers	01/03/2010-
014	46140	N100VD-Pos.46140	Pipe connection ""radio "" Ø60x120mm	01/03/2010-
014	46145	3236090	2 ways derivations (Ø 40-40-60) turbo-	01/03/2010-
014	46150	3236100	blowers Tube for turbine D-41	01/03/2010-
015	46100	3236100	Tube for turbine D-41	01/03/2010-
015	46105	N100VD-Pos.46105	Gasket	01/03/2010-
015	46115	N100VD-Pos.46115	Side drying arm	01/03/2010-
015	46120	N100VD-Pos.46120	Lower drying arm	01/03/2010-
016	9300	N100VD-Pos.9300	Chimney	01/03/2010-
016	9305	N100VD-Pos.9305	Cover with hole	01/03/2010-
016	9310	N100VD-Pos.9310	Fairlead	01/03/2010-
016	9315	N100VD-Pos.9315	Complete body	01/03/2010-
016	9320	N100VD-Pos.9320	Jet top	01/03/2010-
016	9325	N100VD-Pos.9325	Suction group	01/03/2010-
017	9500	N100VD-Pos.9500	Impeller fan	01/03/2010-
017	9505	N100VD-Pos.9505	Motor holder	01/03/2010-
017	9510	N100VD-Pos.9510	Fairlead	01/03/2010-
017	9515	3274560	Motor - 0,12KW 2P 230/400V 50HZ	01/03/2010-

Page	Pos	Code	Description	Info
017	9525	N100VD-Pos.9525	Steam condenser base	01/03/2010-
017	9535	3245000		01/03/2010-
017	9540	N100VD-Pos.9540	Elbow	01/03/2010-
017	9550	N100VD-Pos.9550	Elbow	01/03/2010-
017	9560	N100VD-Pos.9560	Heating recovery battery	01/03/2010-
017	9565	N100VD-Pos.9565	Cable	01/03/2010-
018	9700	N100VD-Pos.9700	Motorprotector 1 - 1.6A	01/03/2010-
018	9705	3236510	Auxiliary contact LMS25	01/03/2010-
018	9710	3190610	Contacteur MC9	01/03/2010-
019	12300	33D2100	SAFETY VALVE	01/03/2010-
019	12305	N100VD-Pos.12305	12/22 clamp	01/03/2010-
019	12310	N100VD-Pos.12310	Valve body center	01/03/2010-
019	12315	N100VD-Pos.12315	Flat valve	01/03/2010-
019	12320	N100VD-Pos.12320	Flat valve cover	01/03/2010-
019	12325	N100VD-Pos.12325	Valve gasket	01/03/2010-
019	12330	N100VD-Pos.12330	Sphere	01/03/2010-
019	12335	N100VD-Pos.12335	O-ring 115 KTW	01/03/2010-
020	33605	N100VD-Pos.33605	Bracket door	01/03/2010-
020	33615	3244980	Drain pipe bracket	01/03/2010-
020	33620	N100VD-Pos.33620	Idle shaft support	01/03/2010-
020	33625	3244790	Neutral wheel	01/03/2010-
020	33630	3244800	Neutral wheel bushing	01/03/2010-
020	33635	N100VD-Pos.33635	Bracket surface filter	01/03/2010-
020	33640	N100VD-Pos.33640	Neutral shaft	01/03/2010-
020	33645	N100VD-Pos.33645	Support microswitch	01/03/2010-
020	33650	3176160	Door microswitch	01/03/2010-
020	33655	N100VD-Pos.33655	Foot	01/03/2010-
021	34000	N100VD-Pos.34000	And entirety run plates assembly	01/03/2010-
021	34005	N100VD-Pos.34005	Bracket door	01/03/2010-
021	34010	N100VD-Pos.34010	Lateral support shaft	01/03/2010-
021	34015	N100VD-Pos.34015	Viton seal ring 20.30.5 M.INOX	01/03/2010-
021	34020	N100VD-Pos.34020	Bearing 6004 42-20- 12	01/03/2010-
021	34025	N100VD-Pos.34025	Spacer bearing	01/03/2010-
021	34030	37Q5220	OR 147 NBR gasket	01/03/2010-
021	34035	N100VD-Pos.34035	Cover without hole	01/03/2010-
021	34040	N100VD-Pos.34040	Viton seal ring 20.30.5 M.INOX	01/03/2010-
021	34045	N100VD-Pos.34045	Pinion Z50 1/2" - 5/16"	01/03/2010-
021	34046	N100VD-Pos.34046	Cover with hole	01/03/2010-
021	34050	36H1440	Short spring door	01/03/2010-
021	34055	3244980	Drain pipe bracket	01/03/2010-
021	34060	N100VD-Pos.34060	2" Leg	01/03/2010-
021	34065	3245670	Capstan / Pulley	01/03/2010-
021	34070	3272630	Tape spacer	01/03/2010-
021	34075	N100VD-Pos.34075	Capstan / Shaft	01/03/2010-
021	34080	N100VD-Pos.34080	Inox key 8x7x30	01/03/2010-
021	34085	3176160	Door microswitch	01/03/2010-
021	34090	N100VD-Pos.34090	Support microswitch	01/03/2010-
021	34095	36H1430	Door spring	01/03/2010-
021	34100	N100VD-Pos.34100	Chain tightener	01/03/2010-
021	34105	N100VD-Pos.34105	Sprocket chain	01/03/2010-
021	34110	3211100	tightener 1/2 Z18 Chain 1/2"	01/03/2010-

Page	Pos	Code	Description	Info
021	34115	N100VD-Pos.34115	Reduction 1/50	01/03/2010-
021	34115	N100VD-Pos.34115	Reduction 1/60	01/03/2010-
021	34115	N100VD-Pos.34115	Reduction 1/45	01/03/2010-
021	34115	N100VD-Pos.34115	Reduction 1/36	01/03/2010-
021	34115	N100VD-Pos.34115	Reduction 1/70	01/03/2010-
021	34115	N100VD-Pos.34115	Reduction 1/64	01/03/2010-
021	34115	3222880	Reduction 1/100	01/03/2010-
021	34120	N100VD-Pos.34120	Pinion Z14 (mod. N100)	01/03/2010-
021	34120	N100VD-Pos.34120	Pinion Z10 1/2" - 5/16" (mod. N38-N42)	01/03/2010-
021	34120	N100VD-Pos.34120	Pinion Z11 1/2" - 5/16"(mod. N42-N70- N85)	01/03/2010-
021	34120	N100VD-Pos.34120	Pinion Z12(mod. N66)	01/03/2010-
021	34120	3211090	Pinion Z13 (mod. N50)	01/03/2010-
021	34125	3222850	MOTOR	01/03/2010-
021	34130	N100VD-Pos.34130	Inox key 8x7x30	01/03/2010-
021	34130	N100VD-Pos.34130	Inox key 5x5x25	01/03/2010-
021	34135	N100VD-Pos.34135	Inox key 8x6x20	01/03/2010-
021	34140	N100VD-Pos.34140	BONFIGLIOLI Reducing tree	01/03/2010-
021	34140	N100VD-Pos.34140	SITI Reducing tree	01/03/2010-
021	34145	N100VD-Pos.34145	Pulley shaft for tightener	01/03/2010-
022	40000	N100VD-Pos.40000	Rear panel for schelf L=1200mm	01/03/2010-
022	40005	N100VD-Pos.40005	Panel lateral for schelf	01/03/2010-
022	40010	N100VD-Pos.40010	Panel for schelf L=900mm	01/03/2010-
022	40015	N100VD-Pos.40015	Panel for schelf L=300mm	01/03/2010-
023	40020	N100VD-Pos.40020	Panel for schelf L=900mm	01/03/2010-
023	40030	N100VD-Pos.40030	Panel lateral for schelf	01/03/2010-
023	40035	N100VD-Pos.40035	Panel for schelf L=600mm	01/03/2010-
023	40040	N100VD-Pos.40040	Panel for schelf L=300mm	01/03/2010-
024	40045	N100VD-Pos.40045	Panel for schelf L=1300mm	01/03/2010-
024	40050	N100VD-Pos.40050	Panel for schelf L=600mm	01/03/2010-
024	40055	N100VD-Pos.40055	Panel for schelf L=900mm	01/03/2010-
024	40060	N100VD-Pos.40060	Panel lateral for schelf	01/03/2010-
024	40065	N100VD-Pos.40065	Panel for schelf L=300mm	01/03/2010-
025	40100	N100VD-Pos.40100	Panel for schelf L=300mm	01/03/2010-
025	40105	N100VD-Pos.40105	Lateral control panel	01/03/2010-
025	40110	3201260	Emergency button	01/03/2010-
025	40115	3236110	Button red	01/03/2010-
025	40120	3236120	Button green	01/03/2010-
025	40125	N100VD-Pos.40125	Lamp 24V	01/03/2010-
025	40130	3236130	Contact piece 1NO	01/03/2010-
025	40135	3236140	Lamp holder	01/03/2010-
025	40140	3236150	2NC contact (red)	01/03/2010-
025	40145	3236160	2NO contact (green)	01/03/2010-
025	40150	3236170	Contact piece 1NC	01/03/2010-
025	40155	N100VD-Pos.40155	Control panel protection	01/03/2010-
026	14000	3236290	O-ring 3,6x30,8x38 R- 23	01/03/2010-
026	14005	3236300	Arm plug	01/03/2010-
026	14010	3236330	Gasket	01/03/2010-
026	14015	N100VD-Pos.14015	Wash arm	01/03/2010-
026	14020	3274870	Right prewash ramp	01/03/2010-
026	14030	3236340	Arm connection flange	01/03/2010-
026	14040	3236350	Distributor O-ring	01/03/2010-

Page	Pos	Code	Description	Info
026	14045	3236360	Gasket OR-3218	01/03/2010-
026	14050	N100VD-Pos.14050		01/03/2010-
026	14055	3060500	2Hp pump - 60Hz	01/03/2010-
026	14055	3182270	PUMP	01/03/2010-
026	14055	3182280	PUMP	01/03/2010-
026	14055	32M6940	PUMP	01/03/2010-
026	14055	88106/B		01/03/2010-
026	14060	33M1730	Tank suction elbow	01/03/2010-
026	14065	3009113		01/03/2010-
026	14065	N100VD-Pos.14065	Pump support	01/03/2010-
026	14070	N100VD-Pos.14070		01/03/2010-
026	14075	N100VD-Pos.14075		01/03/2010-
026	14080	N100VD-Pos.14080		01/03/2010-
026	14085	3021610	OR 3125 NBR gasket	01/03/2010-
027	48200	3201280	Pump 0,10 HP	01/03/2010-
027	48205	3185610	Reducer	01/03/2010-
027	48210	3245000	3/4"M - 1/2"F	01/03/2010-
027	48215	N100VD-Pos.48215	Reduction nipples	01/03/2010-
027	48220	3245000		01/03/2010-
027	48225	N100VD-Pos.48225	Valve support	01/03/2010-
027	48230	N100VD-Pos.48230	T pipe 1/2" F-F-F	01/03/2010-
027	48235	N100VD-Pos.48235	Tap 1/2" F-F	01/03/2010-
027	48240	N100VD-Pos.48240	Pipe 1/4"M - 1/2"	01/03/2010-
027	48245	N100VD-Pos.48245	Pipe 1/4" F-F-F	01/03/2010-
027	48250	N100VD-Pos.48250	Reduction 1/8"F - 1/4"M	01/03/2010-
027	48255	N100VD-Pos.48255	Ø 10x14x1,5 Gasket	01/03/2010-
027	48260	N100VD-Pos.48260	Plug 1/8"M "	01/03/2010-
027	48265	N100VD-Pos.48265	Support rinsing arm	01/03/2010-
027	48270	N100VD-Pos.48270	Rinsing arm 3 nozzle	01/03/2010-
027	48275	3309650	Inox rinsing nozzle	01/03/2010-
027	48280	3197840	OR gasket 2081	01/03/2010-
027	48285	N100VD-Pos.48285	Rinsing graft arm	01/03/2010-
027	48290	N100VD-Pos.48290	12/10 Metal plain washer	01/03/2010-
027	48295	N100VD-Pos.48295	OR gasket 123 NBR	01/03/2010-
027	48300	33Q6520	O12 mm plastic 3 ways derivati	01/03/2010-
027	48305	3183330	Undirectional valve 3/4"	01/03/2010-
027	48310	N100VD-Pos.48310	1/4"G Hose holder OT/NI-Ø12	01/03/2010-
027	48315	3185610	Reducer	01/03/2010-
027	48320	N100VD-Pos.48320	"3/8"G Rubber holder elbow	01/03/2010-
028	16600	3197840	OR gasket 2081	01/03/2010-
028	16610	3236380	Rinsing arm 4 nozzle	01/03/2010-
028	16615	N100VD-Pos.16615	OR gasket EPDM Ø17x1,5	01/03/2010-
028	16620	3236390	Inox plug M18x1 Ø 26x9	01/03/2010-
028	16625	N100VD-Pos.16625	Rinsing ramp	01/03/2010-
028	16630	N100VD-Pos.16630	Gasket 38x27x8	01/03/2010-
028	16635	N100VD-Pos.16635	Nut	01/03/2010-
028	16640	N100VD-Pos.16640	Nozzle (mod. N38- N42-N50)	01/03/2010-
028	16640	3236400	Stainless steel rinse nozzle I-C1	01/03/2010-
028	16645	3236410	Stainless steel nut 3/8 F	01/03/2010-
029	16600	3197840	OR gasket 2081	01/03/2010-
029	16610	N100VD-Pos.16610	Tube lavage lateral	01/03/2010-

Page	Pos	Code	Description	Info
029	16615	N100VD-Pos.16615	OR gasket EPDM Ø17x1,5	01/03/2010-
029	16620	3236390	Inox plug M18x1 Ø 26x9	01/03/2010-
029	16625	N100VD-Pos.16625	Rinsing ramp	01/03/2010-
029	16630	N100VD-Pos.16630	Gasket 38x27x8	01/03/2010-
029	16635	N100VD-Pos.16635	Nut	01/03/2010-
030	16200	N100VD-Pos.16200	Tank plug	01/03/2010-
030	16205	3020420	Stainless steel floor drain	01/03/2010-
030	16210	N100VD-Pos.16210	Air trap	01/03/2010-
030	16215	37Q5130	Gasket	01/03/2010-
030	16220	32V7060	47-27 pressure switch	01/03/2010-
030	16225	33Q6470	M8 stainless steel nut	01/03/2010-
030	16230	3030160	44x32x3 drain elbow gasket	01/03/2010-
030	16235	3030170	Stainless steel nut	01/03/2010-
030	16240	N100VD-Pos.16240	Filter nox	01/03/2010-
030	16245	N100VD-Pos.16245	Pressure switch support	01/03/2010-
030	16250	N100VD-Pos.16250	L=600mm Guide for conveyor RH/LH	01/03/2010-
031	21800	3245000		01/03/2010-
031	21805	3223020	Solenoid valve	01/03/2010-
031	21810	N100VD-Pos.21810	Connection T	01/03/2010-
031	21835	N100VD-Pos.21835	Elbow	01/03/2010-
031	21840	N100VD-Pos.21840	Pressure reduction gauge	01/03/2010-
031	21845	N100VD-Pos.21845	Pressure reduction valve	01/03/2010-
031	21850	3245020	Filter	01/03/2010-
031	21855	N100VD-Pos.21855	Gasket 38x27x8	01/03/2010-
031	21860	N100VD-Pos.21860	Nipples	01/03/2010-
031	21865	N100VD-Pos.21865	Nipples	01/03/2010-
031	21870	N100VD-Pos.21870	Valve support	01/03/2010-
031	21875	3245010	Reduction nipples	01/03/2010-
031	21880	N100VD-Pos.21880	Nipples	01/03/2010-
031	21885	N100VD-Pos.21885	Elbow distributor	01/03/2010-
032	21400	3245000		01/03/2010-
032	21405	3223020	Solenoid valve	01/03/2010-
032	21410	N100VD-Pos.21410	Connection T	01/03/2010-
032	21435	N100VD-Pos.21435	Elbow	01/03/2010-
032	21440	N100VD-Pos.21440	Pressure reduction gauge	01/03/2010-
032	21445	N100VD-Pos.21445	Pressure reduction valve	01/03/2010-
032	21450	3245020	Filter	01/03/2010-
032	21455	N100VD-Pos.21455	Gasket 38x27x8	01/03/2010-
032	21460	N100VD-Pos.21460	Nipples	01/03/2010-
032	21465	N100VD-Pos.21465	Nipples	01/03/2010-
032	21470	N100VD-Pos.21470	Pipe 1/4"M - 1/2"	01/03/2010-
032	21475	N100VD-Pos.21475	Valve support	01/03/2010-
032	21480	3245010	Reduction nipples	01/03/2010-
032	21485	N100VD-Pos.21485	Elbow	01/03/2010-
032	21490	N100VD-Pos.21490	Elbow distributor	01/03/2010-
032	21495	N100VD-Pos.21495	Nipples	01/03/2010-
032	21500	N100VD-Pos.21500	Tap 1/2" F-F	01/03/2010-
033	21800	3245000		01/03/2010-
033	21805	3223020	Solenoid valve	01/03/2010-
033	21810	N100VD-Pos.21810	Connection T	01/03/2010-
033	21835	N100VD-Pos.21835	Elbow	01/03/2010-

Page	Pos	Code	Description	Info
033	21840	N100VD-Pos.21840	Pressure reduction gauge	01/03/2010-
033	21845	N100VD-Pos.21845	Pressure reduction valve	01/03/2010-
033	21850	3245020	Filter	01/03/2010-
033	21855	N100VD-Pos.21855	Gasket 38x27x8	01/03/2010-
033	21860	N100VD-Pos.21860	Nipples	01/03/2010-
033	21865	N100VD-Pos.21865	Nipples	01/03/2010-
033	21870	N100VD-Pos.21870	Valve support	01/03/2010-
033	21875	3245010	Reduction nipples	01/03/2010-
033	21880	N100VD-Pos.21880	Nipples	01/03/2010-
033	21885	N100VD-Pos.21885	Elbow distributor	01/03/2010-
034	38000	3208230	Shaft	01/03/2010-
034	38005	3244810	L=46mm Spacer	01/03/2010-
034	38010	3208240	Finger for dishes	01/03/2010-
034	38015	3244830	L=34mm Spacer	01/03/2010-
034	38020	3208250	L=900mm Guide for conveyor	01/03/2010-
034	38025	3244840	Stainless steel link	01/03/2010-
034	38030	3200590	Wheel	01/03/2010-
035	38000	3208230	Shaft	01/03/2010-
035	38005	3244810	L=46mm Spacer	01/03/2010-
035	38010	3217290	Finger	01/03/2010-
035	38015	3244830	L=34mm Spacer	01/03/2010-
035	38020	3217300	Finger for trays	01/03/2010-
035	38025	3244840	Stainless steel link	01/03/2010-
035	38030	3200590	Wheel	01/03/2010-
035	38035	3208250	L=900mm Guide for conveyor	01/03/2010-
035	38040	N100VD-Pos.38040	Thermic tray axle	01/03/2010-
035	38045	3120230	WASHER	01/03/2010-
035	38050	3223710	Ø8 stainless steel snap ring	01/03/2010-
035	38055	3236370	Split pin D2 L12	01/03/2010-
036	22800	N100VD-Pos.22800	Splash zone with cilinder FC94 / F16	01/03/2010-
037	25100	N100VD-Pos.25100	Jet top	01/03/2010-
038	40200	N100VD-Pos.40200	Rear panel	01/03/2010-
038	40205	N100VD-Pos.40205	Rear panel	01/03/2010-
038	40210	N100VD-Pos.40210	Panel for covering L=600mm	01/03/2010-
038	40215	N100VD-Pos.40215	Panel for covering L=900mm	01/03/2010-
038	40220	N100VD-Pos.40220	Panel for covering L=700mm	01/03/2010-
038	40225	N100VD-Pos.40225	Back panel L=700mm	01/03/2010-
039	29300	3182520	PIPE SEKO	01/03/2010-
039	29305	N100VD-Pos.29305	Pipe fitting for rinse dispenser	01/03/2010-
039	29310	N100VD-Pos.29310	Dispensers assembly SDN-3 support	01/03/2010-
039	29315	N100VD-Pos.29315	Dispensers assembly SDN-3	01/03/2010-
040	34350	3244980	Drain pipe bracket	01/03/2010-
040	34355	37Q5150	75x58x2 gasket	01/03/2010-
040	34360	33Q6510	Floor drain nut	01/03/2010-
040	34365	N100VD-Pos.34365	Curve	01/03/2010-
040	34370	N100VD-Pos.34370	Curve 30° (PP)	01/03/2010-
040	34375	N100VD-Pos.34375	Tube HTDM 40/1 (PP)	01/03/2010-
040	34380	N100VD-Pos.34380	Pipe fitting TI (PP) F/F/M 40	01/03/2010-
040	34385	N100VD-Pos.34385	Reduction Ø 40/25	01/03/2010-
040	34390	N100VD-Pos.34390	Curve	01/03/2010-
040	34395	33M1660	Drain pipe	01/03/2010-

Page	Pos	Code	Description	Info
040	34400	33Q6580	Drain elbow	01/03/2010-
040	34405	N100VD-Pos.34405	"Horizontal transfer ""RADIO"" Ø 32	01/03/2010-
041	7300	N100VD-Pos.7300	Chimney	01/03/2010-
041	7305	3184930	FAN	01/03/2010-
041	7310	N100VD-Pos.7310	Motor holder	01/03/2010-
041	7315	N100VD-Pos.7315	Cover TR98	01/03/2010-
041	7320	N100VD-Pos.7320	Suction group	01/03/2010-
041	7325	3183310	MOTOR	01/03/2010-
041	7330	N100VD-Pos.7330	Heating recovery battery	01/03/2010-
041	7335	N100VD-Pos.7335	Complete body	01/03/2010-
041	7340	N100VD-Pos.7340	Tray	01/03/2010-
041	7345	N100VD-Pos.7345	Cope	01/03/2010-
041	7350	N100VD-Pos.7350	Elbow	01/03/2010-
041	7355	3245000		01/03/2010-
042	8000	3190610	Contactora MC9	01/03/2010-
042	8005	N100VD-Pos.8005	Contactora BF12 (heating element < 9 kW)	01/03/2010-
042	8005	N100VD-Pos.8005	Contactora BF20 (heating element > 9 kW)	01/03/2010-
042	8010	N100VD-Pos.8010	Motorprotector 1 - 1.6A	01/03/2010-
042	8015	N100VD-Pos.8015	Automatic fuse C20 (heating element < 9 kW)	01/03/2010-
042	8015	N100VD-Pos.8015	Automatic fuse C25 (heating element > 9	01/03/2010-
042	8020	3236510	kW) Auxiliary contact	01/03/2010-
042	8025	3102250	LMS25 6mm2 terminal	01/03/2010-
043	8100	36E8870	Heating element cover	01/03/2010-
043	8105	3113780	HEATING ELEMENT SUPPORT	01/03/2010-
043	8110	3037760	6KW heating element	01/03/2010-
043	8110	3191240	Heating element 12kW	01/03/2010-
043	8110	3236030	HEATING ELEMENT	01/03/2010-
043	8110	32G3410	9KW heating element	01/03/2010-
043	8115	37Q5260	6225 OR 160 NBR gasket	01/03/2010-
044	33400	N100VD-Pos.33400	4 kW Compressor	01/03/2010-
044	33405	N100VD-Pos.33405	Impeller fan	01/03/2010-
044	33410	N100VD-Pos.33410	Heating recovery battery	01/03/2010-
044	33415	N100VD-Pos.33415	GAS battery	01/03/2010-
044	33420	N100VD-Pos.33420	Inspection slide	01/03/2010-
044	33425	N100VD-Pos.33425	Filter	01/03/2010-
045	33500	N100VD-Pos.33500	Chimney	01/03/2010-
045	33505	N100VD-Pos.33505	Cover TR98	01/03/2010-
045	33510	N100VD-Pos.33510	Front body	01/03/2010-
045	33530	N100VD-Pos.33530	Top assembly body	01/03/2010-
046	13200	3236290	O-ring 3,6x30,8x38 R- 23	01/03/2010-
046	13205	3236300	Arm plug	01/03/2010-
046	13210	3236330	Gasket	01/03/2010-
046	13215	N100VD-Pos.13215	Wash arm	01/03/2010-
046	13220	3274870	Right prewash ramp	01/03/2010-
046	13225	3236340	Arm connection flange	01/03/2010-
046	13245	N100VD-Pos.13245	Elbow coupling press.	01/03/2010-
046	13250	N100VD-Pos.13250	Pump 0.9kW - 60Hz	01/03/2010-
046	13250	3190600	PUMP	01/03/2010-
046	13255	33M1730	Tank suction elbow	01/03/2010-
046	13260	N100VD-Pos.13260	Pump support	01/03/2010-

Page	Pos	Code	Description	Info
046	13265	3236360	Gasket OR-3218	01/03/2010-
046	13270	3236350	Distributor O-ring	01/03/2010-
046	13275	N100VD-Pos.13275	Group upper washing	01/03/2010-
046	13280	N100VD-Pos.13280	Group under washing	01/03/2010-
047	15000	N100VD-Pos.15000	Overflow pipe plug	01/03/2010-
047	15005	3229460	Overflow pipe assembly	01/03/2010-
047	15010	3229470	Overflow device support	01/03/2010-
047	15015	N100VD-Pos.15015	Air trap	01/03/2010-
047	15020	37Q5130	Gasket	01/03/2010-
047	15025	N100VD-Pos.15025	Inlet pipe	01/03/2010-
047	15030	N100VD-Pos.15030	Nut	01/03/2010-
047	15035	N100VD-Pos.15035	Nut	01/03/2010-
047	15040	N100VD-Pos.15040	Cone	01/03/2010-
047	15045	N100VD-Pos.15045	12/10 Metal plain washer	01/03/2010-
047	15050	N100VD-Pos.15050	Gasket 17x25x2	01/03/2010-
047	15055	N100VD-Pos.15055	Fitting	01/03/2010-
047	15060	N100VD-Pos.15060	1/4"G Hose holder OT/NI-Ø12	01/03/2010-
047	15065	30Q3240	Pump suction-filter	01/03/2010-
047	15070	32V7050	260-30 pressure switch	01/03/2010-
047	15075	33Q6470	M8 stainless steel nut	01/03/2010-
047	15080	37Q5150	75x58x2 gasket	01/03/2010-
047	15085	3229480	Flat nut	01/03/2010-
047	15090	N100VD-Pos.15090	Strainer plate	01/03/2010-
047	15095	N100VD-Pos.15095	Strainer plate	01/03/2010-
047	15100	N100VD-Pos.15100	Scrap tray	01/03/2010-
047	15105	N100VD-Pos.15105	Pressure switch support	01/03/2010-
047	15110	N100VD-Pos.15110	Overflow pipe	01/03/2010-
047	15115	N100VD-Pos.15115	L=600mm Guide for conveyor	01/03/2010-
047	15120	N100VD-Pos.15120	Horizontal transfer tanks	01/03/2010-
047	15125	N100VD-Pos.15125	Flat gasket 65x47x3 NBR	01/03/2010-
047	15130	3274120	Lock nut 1 1/2" plastic	01/03/2010-
048	001	N100VD-Pos.001	REDUCTION NIPPLE 3/4" M-3/8" F	01/03/2010-
048	002	N100VD-Pos.002	ELBOW 3/8" M-F	01/03/2010-
048	003	3245000	3/4"M - 1/2"F	01/03/2010-
048	004	N100VD-Pos.004	Reduction nipples	01/03/2010-
048	005	N100VD-Pos.005	Nipples	01/03/2010-
048	006	3177470	REDUCTION NIPPLE 3/4" -1/2" F-F	01/03/2010-
048	007	N100VD-Pos.007	Nipples	01/03/2010-
048	009	3191920	VALVE COIL 24V	01/03/2010-
048	011	3191670	ELECTRIC VALVE 3/4"	01/03/2010-
048	013	3197430	STEAM VALVE 1"	01/03/2010-
048	014	3183320	STEAM VALVE 1/2"	01/03/2010-
048	015	N100VD-Pos.015	FILTER 1107 1" 1/2 F- F	01/03/2010-
048	016	N100VD-Pos.016	ELBOW 1"1/2 M-F	01/03/2010-
048	018	N100VD-Pos.018	VERTICAL STEAM MANOMETER	01/03/2010-
048	020	N100VD-Pos.020	STEEL COIL C40 3/8"	01/03/2010-
048	021	N100VD-Pos.021	Elbow	01/03/2010-
048	022	N100VD-Pos.022	Connection T	01/03/2010-
048	023	3245010	Reduction nipples	01/03/2010-
048	025	N100VD-Pos.025	EXTENSION L=120mm 1/2" M-M	01/03/2010-
048	026	N100VD-Pos.026	GROOVED LOCK NUT 1"1/2	01/03/2010-

Page	Pos	Code	Description	Info
048	027	N100VD-Pos.027	NIPPLE ALL THREAD 1"1/2	01/03/2010-
048	028	N100VD-Pos.028	NIPPLE 1" M-M	01/03/2010-
048	030	N100VD-Pos.030	ELBOW 1"1/2 M-F	01/03/2010-
048	031	N100VD-Pos.031	EXTENSION L=200mm 1"1/2 M-M	01/03/2010-
048	033	N100VD-Pos.033	FLEXIBLE 1/2" M-F L=500-1000mm	01/03/2010-
048	034	N100VD-Pos.034	FLEXIBLE 1/2" F-F L=1000-2000mm	01/03/2010-
048	035	N100VD-Pos.035	FLEXIBLE 1" M-F L=200-400mm	01/03/2010-
048	036	N100VD-Pos.036	CONNECTION T 1"1/2 F - 3/4" F - 1"1/2 F	01/03/2010-
048	037	N100VD-Pos.037	REDUCTION NIPPLE 1"1/2-1" M-M	01/03/2010-
048	040	3275420	FEELER-HOLDER DOUBLE SHEAT	01/03/2010-
049	001	N100VD-Pos.001	REDUCTION NIPPLE 3/4" M-3/8" F	01/03/2010-
049	005	N100VD-Pos.005	Nipples	01/03/2010-
049	017	3183330	Undirectional valve 3/4"	01/03/2010-
049	019	3183340	UNLOADER LINEA1 3BAR BTP13S 3/4"	01/03/2010-
049	021	N100VD-Pos.021	Elbow	01/03/2010-
049	022	N100VD-Pos.022	Connection T	01/03/2010-
049	023	3245010	Reduction nipples	01/03/2010-
049	024	N100VD-Pos.024	DISTRIBUTOR 3/4" F- F-F-F	01/03/2010-
049	029	N100VD-Pos.029	FLEXIBLE 1/2" M-F L=260-520mm	01/03/2010-
049	034	N100VD-Pos.034	FLEXIBLE 1/2" F-F L=1000-2000mm	01/03/2010-
050	005	N100VD-Pos.005	Nipples	01/03/2010-
050	006	3177470	REDUCTION NIPPLE 3/4" -1/2" F-F	01/03/2010-
050	008	3177440	Gasket 38x27x8	01/03/2010-
050	012	3177460	Nut	01/03/2010-
050	017	3183330	Undirectional valve 3/4"	01/03/2010-
050	019	3183340	UNLOADER LINEA1 3BAR BTP13S 3/4"	01/03/2010-
050	023	3245010	Reduction nipples	01/03/2010-
050	038	N100VD-Pos.038	BUSH FIXING COIL	01/03/2010-
050	039	N100VD-Pos.039	STEAM COIL Ø18mm 280x380mm	01/03/2010-
051	010	N100VD-Pos.010	DRYER STEAM BATTERY	01/03/2010-
051	030	N100VD-Pos.030	ELBOW 1"1/2 M-F	01/03/2010-
051	032	N100VD-Pos.032	REDUCTION NIPPLE 3/4 F-1/2 M	01/03/2010-
051	034	N100VD-Pos.034	FLEXIBLE 1/2" F-F L=1000-2000mm	01/03/2010-
052	15900	N100VD-Pos.15900	Overflow pipe plug	01/03/2010-
052	15905	N100VD-Pos.15905	Overflow pipe	01/03/2010-
052	15910	3229470	Overflow device support	01/03/2010-
052	15915	N100VD-Pos.15915	Air trap	01/03/2010-
052	15920	37Q5130	Gasket	01/03/2010-
052	15925	30Q3240	Pump suction-filter	01/03/2010-
052	15930	32V7050	260-30 pressure switch	01/03/2010-
052	15960	33Q6470	M8 stainless steel nut	01/03/2010-
052	15965	N100VD-Pos.15965	Tank support	01/03/2010-
052	15970	37Q5150	75x58x2 gasket	01/03/2010-
052	15975	3229480	Flat nut	01/03/2010-
052	15980	N100VD-Pos.15980	Strainer plate, back	01/03/2010-
052	15985	N100VD-Pos.15985	Strainer plate	01/03/2010-
052	15990	N100VD-Pos.15990	Scrap tray	01/03/2010-
052	15995	N100VD-Pos.15995	Pressure switch support	01/03/2010-
052	16000	N100VD-Pos.16000	Overflow pipe assembly	01/03/2010-
052	16005	3208250	L=900mm Guide for conveyor	01/03/2010-
052	16010	N100VD-Pos.16010	Transfer tanks cover	01/03/2010-

Page	Pos	Code	Description	Info
052	16015	N100VD-Pos.16015	Regulation transfer tanks coupling	01/03/2010-
052	16020	N100VD-Pos.16020	Plastic transfer tanks curve	01/03/2010-
052	16025	N100VD-Pos.16025	Flat gasket 65x47x3 NBR	01/03/2010-
052	16030	3274120	Lock nut 1 1/2" plastic	01/03/2010-
052	16035	N100VD-Pos.16035	Horizontal transfer tanks	01/03/2010-