

Зип Общепит

vsezip.ru

+7(812)987-08-81



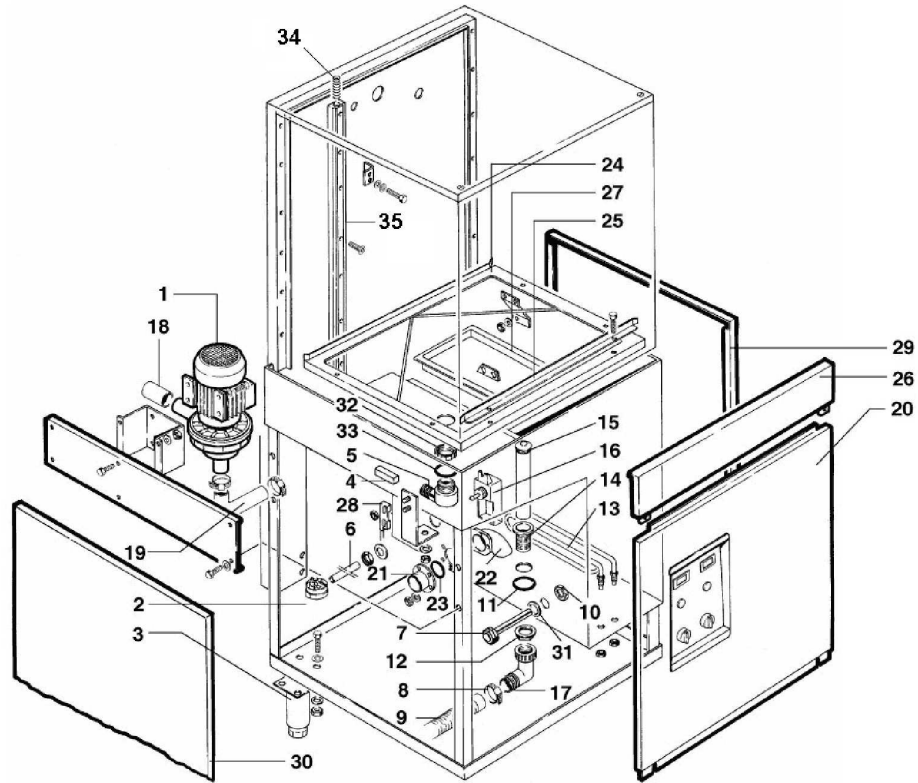
LC130

Edition 20150917-

Зип Ощепит

vsezip.ru

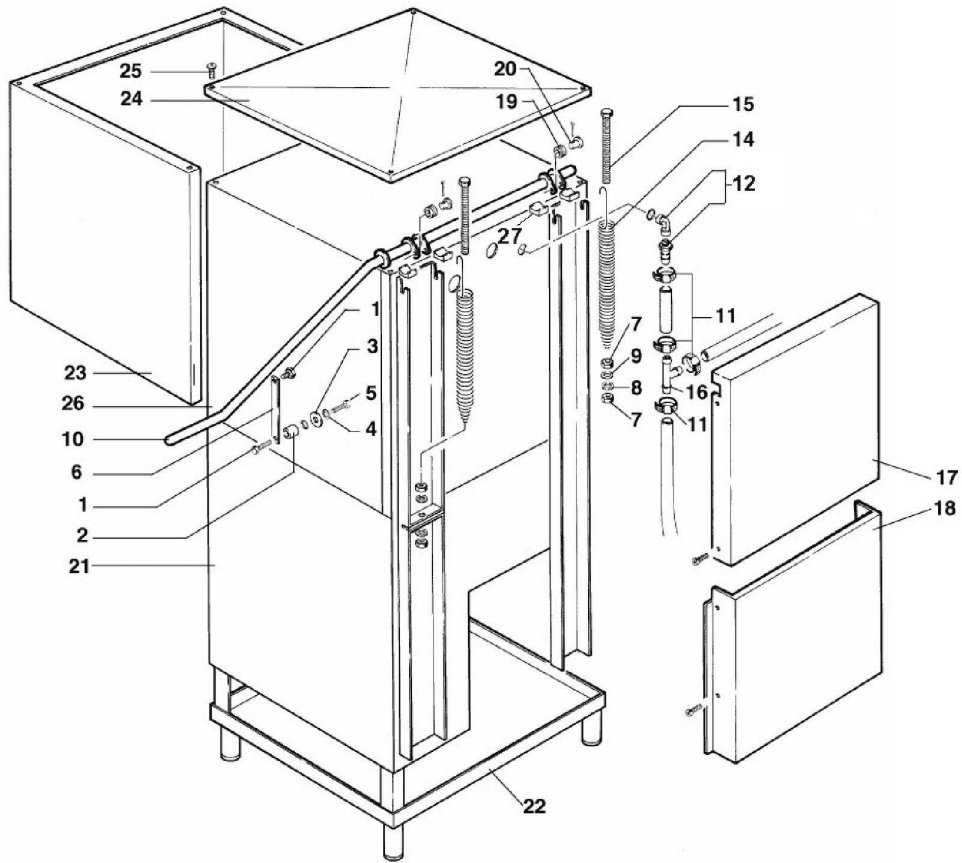
+7(812)987-08-81



Зип Общепит

vsezip.ru

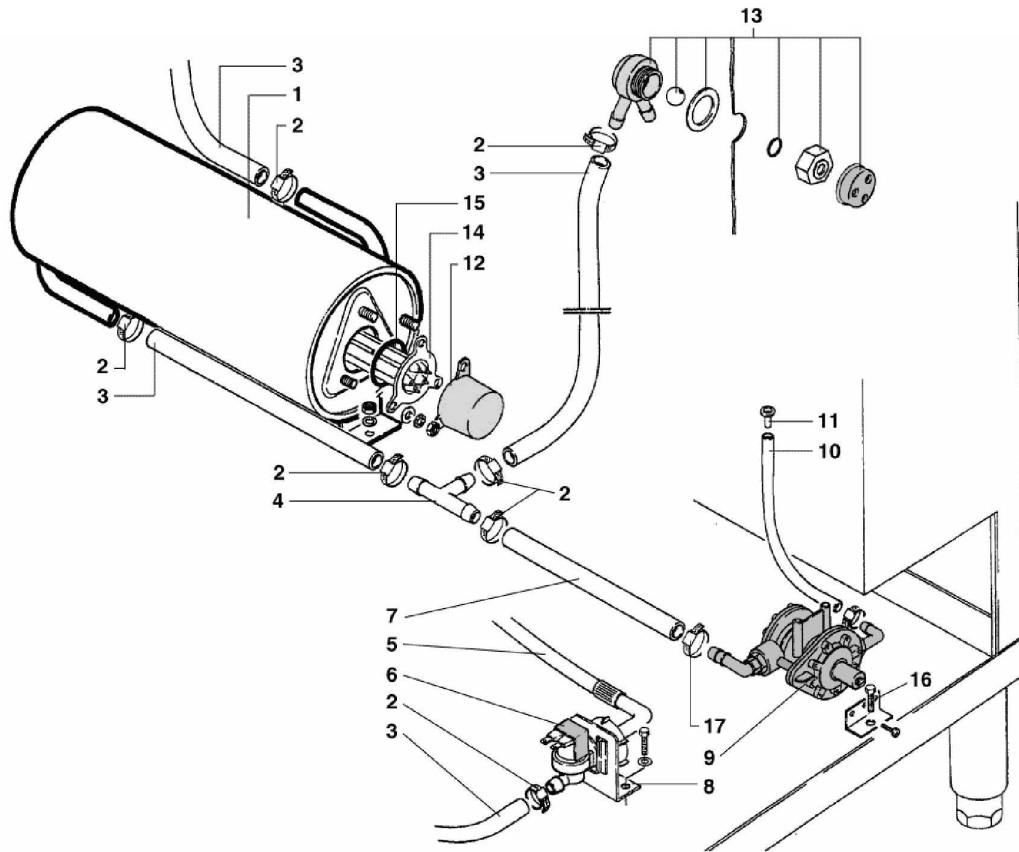
+7(812)987-08-81



Зип Общепит

vsezip.ru

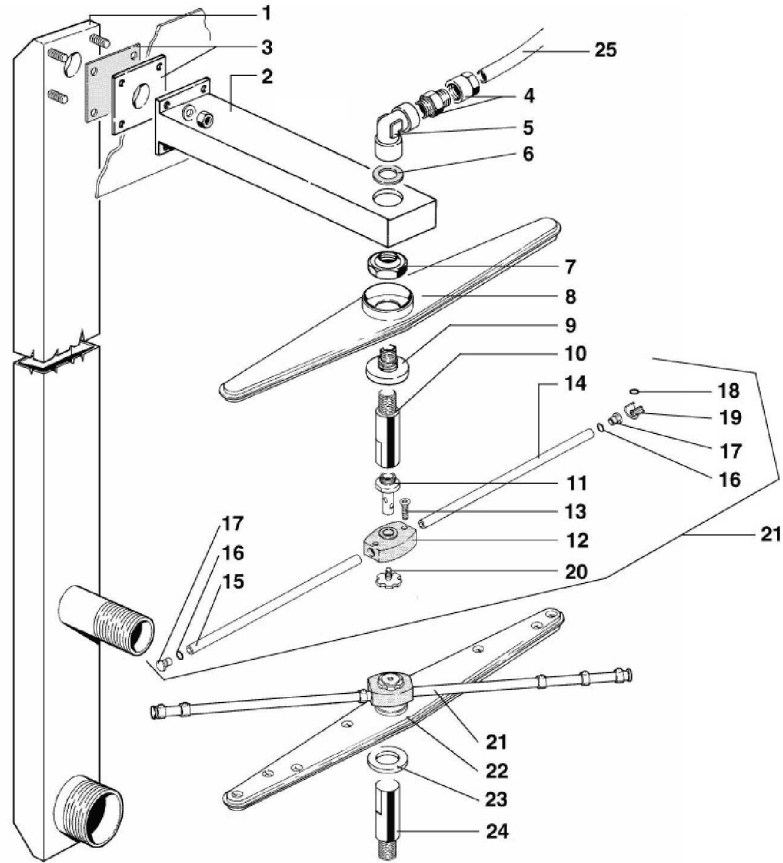
+7(812)987-08-81



Зип Ощепит

vsezip.ru

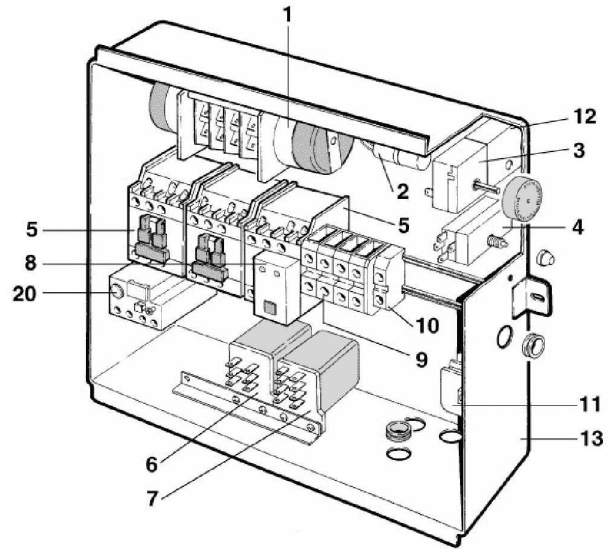
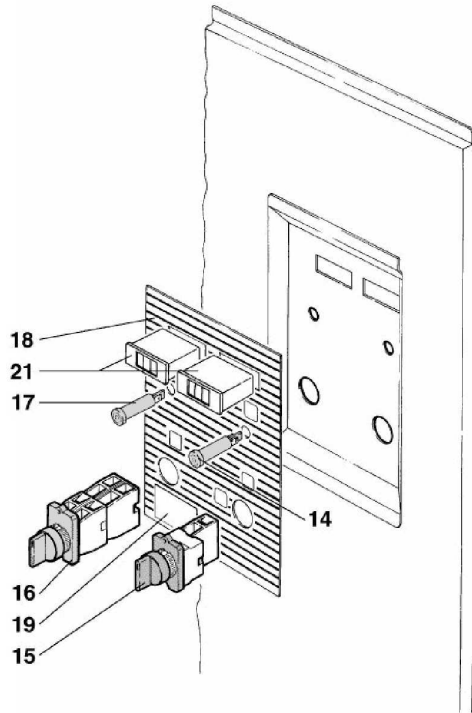
+7(812)987-08-81



Зип Общепит

vsezip.ru

+7(812)987-08-81



| Page | Pos | Code | Description | Info |
|------|-----|---------------|--------------------------------|-------------|
| 002 | 001 | 3104600 | PUMP | 01/11/1999- |
| 002 | 001 | 3107480 | PUMP | 14/02/2007- |
| 002 | 002 | 32V1870 | PRESSURE-SWITCH 35/90 | 01/11/1999- |
| 002 | 003 | 36Q0940 | STAINLESS STEEL FOOT | 01/11/1999- |
| 002 | 004 | 32W0870 | MAGNET | 01/11/1999- |
| 002 | 005 | 36G9130 | LOWER HUB | 01/11/1999- |
| 002 | 006 | 111AA09 | PROTECTION PIPE | 01/11/1999- |
| 002 | 007 | 30Q1420 | SEATING BULB | 01/11/1999- |
| 002 | 008 | LC130-Pos.008 | CLAMP | 01/11/1999- |
| 002 | 009 | 3033430 | PIPE FOR OUTLET Ø19 L=2000 FOR | 01/11/1999- |
| 002 | 009 | 3029590 | PIPE FOR OUTLET 90° Ø32 | 01/02/2004- |
| 002 | 010 | 33Q3690 | RING NUT | 01/11/1999- |
| 002 | 011 | 3151930 | O-RING | 01/11/1999- |
| 002 | 012 | 33Q2160 | RING NUT | 01/11/1999- |
| 002 | 013 | 32G2590 | HEATING ELEMENT 3KW | 01/11/1999- |
| 002 | 014 | 33Q4740 | "DRAIN CONNECTION 1""1/4" | 01/11/1999- |
| 002 | 015 | 33D1550 | OVERFLOW | 01/11/1999- |
| 002 | 016 | 33D1390 | AIR TRAP | 01/11/1999- |
| 002 | 017 | 3029590 | PIPE FOR OUTLET 90° Ø32 | 01/02/2004- |
| 002 | 018 | 33M1330 | OUTLET ELBOW L=170 Ø150 ØE60 | 01/11/1999- |
| 002 | 019 | 33M1320 | INTAKE PIPE FITTING | 01/11/1999- |
| 002 | 020 | 3023820 | CONTROL PANEL | 01/11/1999- |
| 002 | 021 | 33Q4210 | ONTAKE PIPE FITTING | 01/11/1999- |
| 002 | 022 | 33Q4290 | ONTAKE PIPE FITTING | 01/11/1999- |
| 002 | 023 | 3152390 | O RING | 01/11/1999- |
| 002 | 024 | 3012540 | FRAME | 01/11/1999- |
| 002 | 025 | 35U2170 | GUIDE | 01/11/1999- |
| 002 | 026 | 3023830 | FRONT PANEL | 01/11/1999- |
| 002 | 027 | 30Q1460 | FILTER INOX | 01/09/2000- |
| 002 | 028 | 32W2160 | MICROSWITCH | 01/11/1999- |
| 002 | 029 | 3012550 | RH SIDE PANEL | 01/11/1999- |
| 002 | 030 | 3013060 | LH SIDE PANEL | 01/11/1999- |
| 002 | 031 | 37Q2840 | GASKET | 01/11/1999- |
| 002 | 032 | 33Q4300 | LOCK NUT | 01/11/1999- |
| 002 | 033 | 37Q4210 | GASKET | 01/11/1999- |
| 002 | 034 | 36G9090 | SPRING | 01/11/1999- |
| 002 | 035 | 30T4000 | SLIDING RAIL | 01/11/1999- |
| 003 | 001 | 36G9030 | JOINT PIN | 01/11/1999- |
| 003 | 002 | 36G9040 | BEARING | 01/11/1999- |
| 003 | 003 | 3027630 | WASHER | 01/11/1999- |
| 003 | 004 | 3123670 | WASHER | 01/11/1999- |
| 003 | 005 | LC130-Pos.005 | SCREW | 01/11/1999- |
| 003 | 006 | 3005750 | PLATE | 01/11/1999- |
| 003 | 007 | 3117620 | STEEL NUT M10X8 | 01/11/1999- |
| 003 | 008 | LC130-Pos.008 | WASHER | 01/11/1999- |
| 003 | 009 | LC130-Pos.009 | WASHER | 01/11/1999- |
| 003 | 010 | 36M6190 | HANDLE | 01/11/1999- |
| 003 | 011 | 3140230 | 12/20 PIPE CLAMP | 01/11/1999- |
| 003 | 012 | 3233560 | | 17/09/2015- |
| 003 | 014 | 36G8870 | SPRING | 01/11/1999- |
| 003 | 015 | 30T4190 | CONNECTING ROD | 01/11/1999- |

| Page | Pos | Code | Description | Info |
|------|-----|---------------|--------------------------------|-------------|
| 003 | 016 | 36G9050 | PIPE FITTING | 01/11/1999- |
| 003 | 017 | 3FL0245 | UPPER BACK PANEL | 01/11/1999- |
| 003 | 018 | 3FL0246 | LOWER BACK PANEL | 01/11/1999- |
| 003 | 019 | 36H0450 | SMALL WHELL | 01/11/1999- |
| 003 | 020 | 36C3560 | PIN | 01/11/1999- |
| 003 | 021 | LC130-Pos.021 | TANK | 01/11/1999- |
| 003 | 022 | LC130-Pos.022 | BASE | 01/11/1999- |
| 003 | 023 | LC130-Pos.023 | HOOD COVER | 01/11/1999- |
| 003 | 024 | LC130-Pos.024 | UPPER SIDE PANEL | 01/11/1999- |
| 003 | 025 | LC130-Pos.025 | SCREW | 01/11/1999- |
| 003 | 026 | 3002530 | HOOD ASS.Y FROM | 01/11/1999- |
| 003 | 027 | 3060400 | NR. 23 TO NR. 26 METAL BUSHING | 01/11/1999- |
| 004 | 001 | 34A1980 | BOILER | 01/11/1999- |
| 004 | 002 | 3140230 | 12/20 PIPE CLAMP | 01/11/1999- |
| 004 | 003 | 131AA14 | RUBBER HOSE Ø20x13 | 01/11/1999- |
| 004 | 004 | 33Q3070 | "PIPE FITTING ""T""" | 01/11/1999- |
| 004 | 005 | 36U0720 | INLET PIPE | 01/11/1999- |
| 004 | 006 | 33D2310 | SOLENOID VALVE | 01/11/1999- |
| 004 | 007 | 33M1310 | RUBBER PIPE | 01/11/1999- |
| 004 | 008 | 35D1560 | INSULATION PANEL COVER | 01/11/1999- |
| 004 | 009 | 33D2300 | LANG DISPENSER | 01/11/1999- |
| 004 | 010 | 111AA09 | PROTECTION PIPE | 01/11/1999- |
| 004 | 011 | 30Q1430 | FILTER | 01/11/1999- |
| 004 | 012 | 3150321 | HEAT.ELEM.PROTECTION | 01/11/1999- |
| 004 | 013 | 33D2100 | SAFETY VALVE | 01/09/2007- |
| 004 | 014 | 32G2720 | HEATING ELEMENT 9KW | 01/11/1999- |
| 004 | 015 | 3150430 | "O" RING Ø 56.52 | 01/11/1999- |
| 004 | 016 | LC130-Pos.016 | DOSING DEVICE SUPPORT | 01/11/1999- |
| 004 | 017 | LC130-Pos.017 | CLAMP | 01/11/1999- |
| 005 | 001 | 3028660 | STEEL WASHING PIPE | 01/11/1999- |
| 005 | 001 | 3028880 | PLASTIC WASHING PIPE | 01/11/1999- |
| 005 | 002 | 3027890 | WASHING ARM | 01/11/1999- |
| 005 | 003 | 3151900 | GASKET | 01/11/1999- |
| 005 | 004 | 33Q4280 | PIPE FITTING | 01/11/1999- |
| 005 | 005 | 33Q4360 | CONNECT | 01/11/1999- |
| 005 | 006 | 37Q4200 | GASKET | 01/11/1999- |
| 005 | 007 | 36G8720 | LOCK NUT | 01/11/1999- |
| 005 | 008 | 36G9100 | WASHING ARM | 01/11/1999- |
| 005 | 009 | 36G9110 | HUB | 01/11/1999- |
| 005 | 010 | 36G9120 | UPPER WASHING PIN | 01/11/1999- |
| 005 | 011 | 36G9060 | RINSE PIN | 01/11/1999- |
| 005 | 012 | 36G8550 | RINSE HUB | 01/11/1999- |
| 005 | 013 | 31C0070 | SCREW | 01/11/1999- |
| 005 | 014 | 35X4860 | RIGHT RINSE ARM | 01/11/1999- |
| 005 | 015 | 35X4870 | LEFT RINSE ARM | 01/11/1999- |
| 005 | 016 | 3152180 | O RING | 01/11/1999- |
| 005 | 017 | 36C3870 | "PLUG FOR ARM + RING ""OR""" | 01/11/1999- |
| 005 | 018 | 3152400 | OO | 01/11/1999- |
| 005 | 019 | 33T2940 | NOZZLE | 01/11/1999- |
| 005 | 020 | 33Q3710 | RING NUT | 01/11/1999- |
| 005 | 021 | 30Z1491 | COMPL. RINSE ARM | 01/11/1999- |

| Page | Pos | Code | Description | Info |
|------|-----|---------------|--------------------------|-------------|
| 005 | 022 | 33Q4040 | IMPELLER | 01/11/1999- |
| 005 | 023 | 3120380 | WASHER | 01/11/1999- |
| 005 | 024 | 36G9140 | LOWER WASHING PIN | 01/11/1999- |
| 005 | 025 | 33M1440 | PIPE Ø10X8 FORAFILON | 01/11/1999- |
| 006 | 001 | 32V1940 | "TIMER 60" "120" "180" " | 01/11/1999- |
| 006 | 002 | 32V5640 | FILTER | 01/11/1999- |
| 006 | 003 | 32V1910 | THERMOSTAT 0-90 | 01/11/1999- |
| 006 | 004 | 32Z8830 | SAFETY THERMOSTAT | 01/11/1999- |
| 006 | 005 | 32V0560 | CONTACTOR | 01/11/1999- |
| 006 | 006 | 32V0540 | RELAY 230V | 01/11/1999- |
| 006 | 007 | 32V2950 | RELAY 400V 16A | 01/11/1999- |
| 006 | 008 | 3008410 | AUXILIARY CONTACT | 01/11/1999- |
| 006 | 009 | 32V4940 | TERMINAL 10 mm | 01/11/1999- |
| 006 | 010 | LC130-Pos.010 | GROUND TERMINAL | 01/11/1999- |
| 006 | 011 | LC130-Pos.011 | TERMINAL | 01/11/1999- |
| 006 | 012 | 32V1920 | THERMOSTAT 55°C | 01/11/1999- |
| 006 | 013 | LC130-Pos.013 | CABINET | 01/11/1999- |
| 006 | 014 | 32W2140 | LAMP | 01/11/1999- |
| 006 | 015 | 32Z8670 | SWITCH | 01/11/1999- |
| 006 | 016 | 32W2150 | SWITCH | 01/11/1999- |
| 006 | 017 | 32W2130 | LAMP | 01/11/1999- |
| 006 | 018 | 37N4400 | PLATE | 01/11/1999- |
| 006 | 019 | 37N4410 | PLATE | 01/11/1999- |
| 006 | 020 | 32Z8730 | OVERLOAD RELAY 2,5- 4A | 01/11/1999- |
| 006 | 021 | 32V1900 | THERMOMETER | 01/11/1999- |