

Зип Общепит

vsezip.ru

+7(812)987-08-81



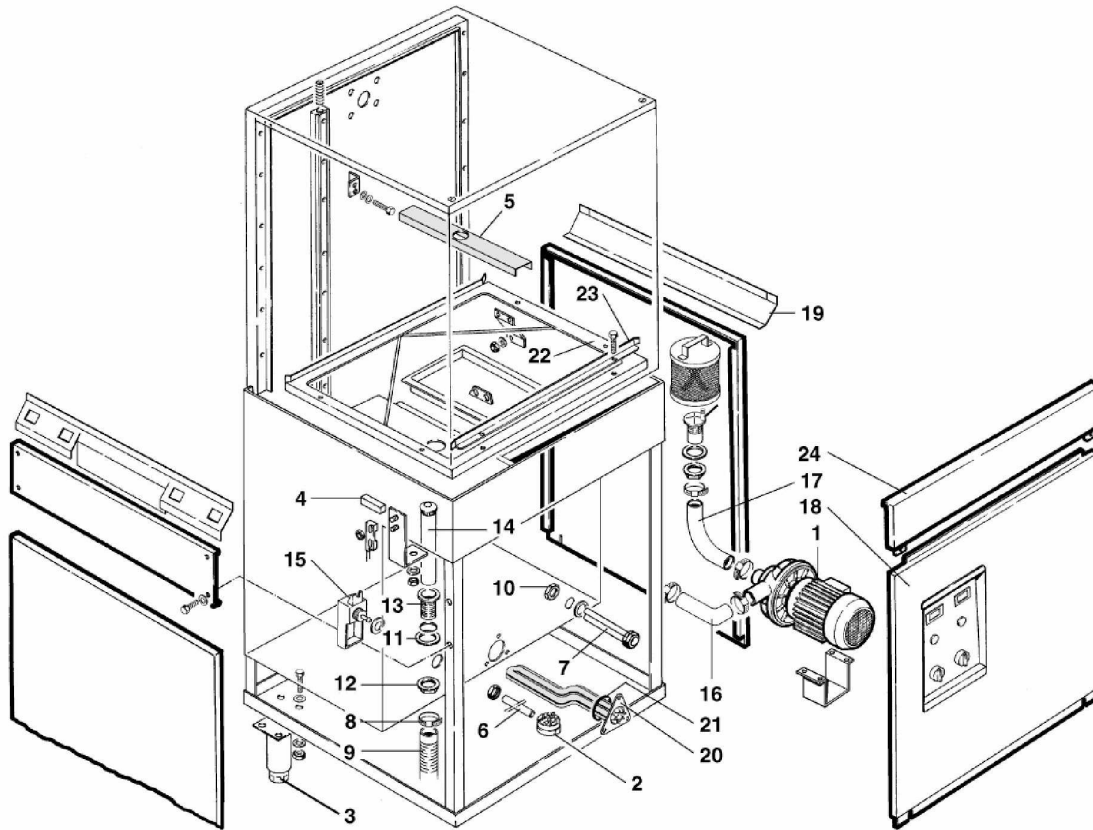
**LC100**

**Edition 20150917-**

Зип Общепит

vsezip.ru

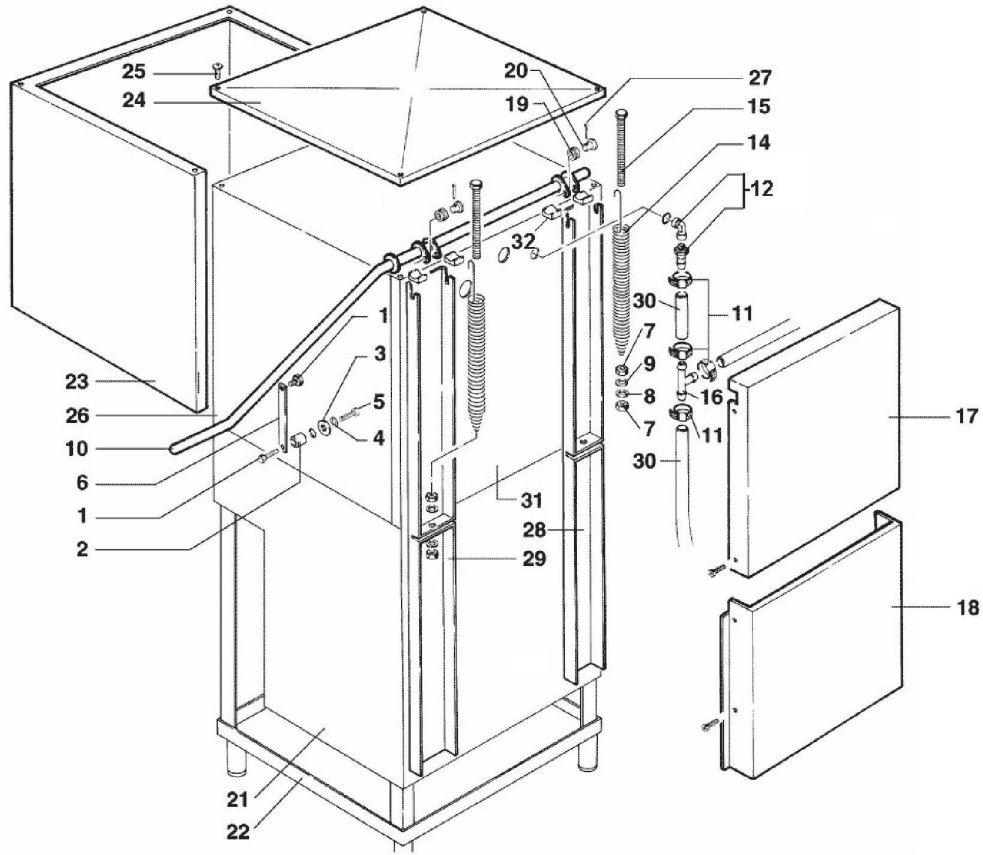
+7(812)987-08-81



Зип Ощепит

vsezip.ru

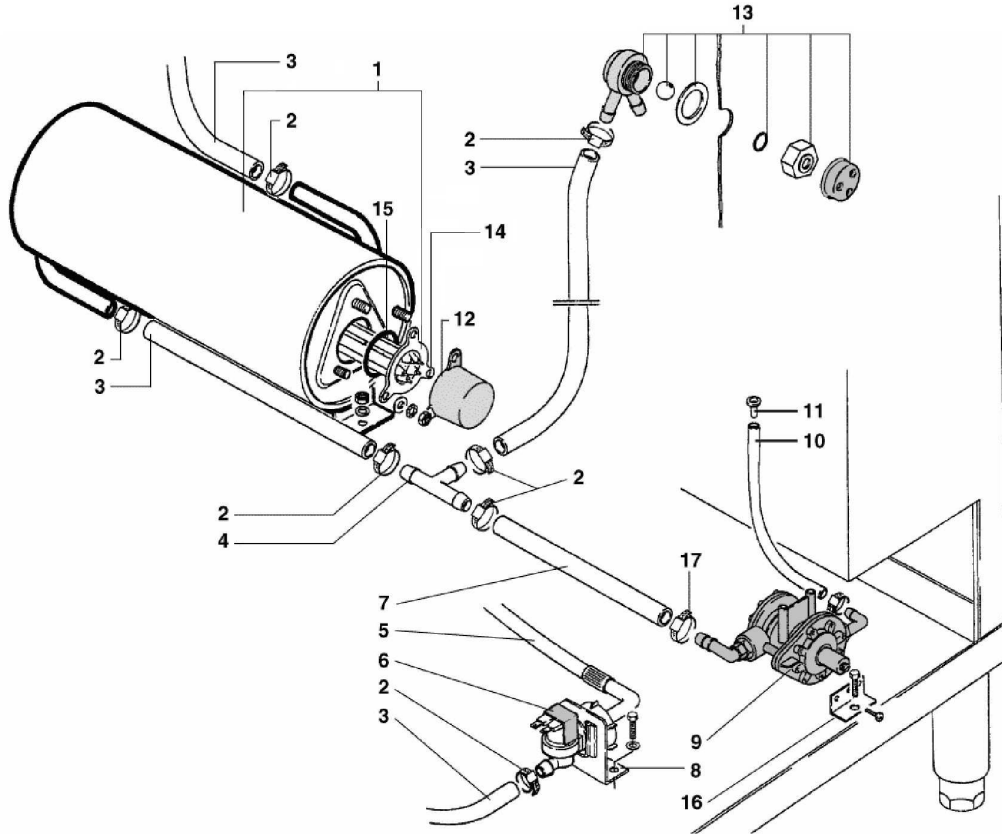
+7(812)987-08-81



Зип Общепит

vsezip.ru

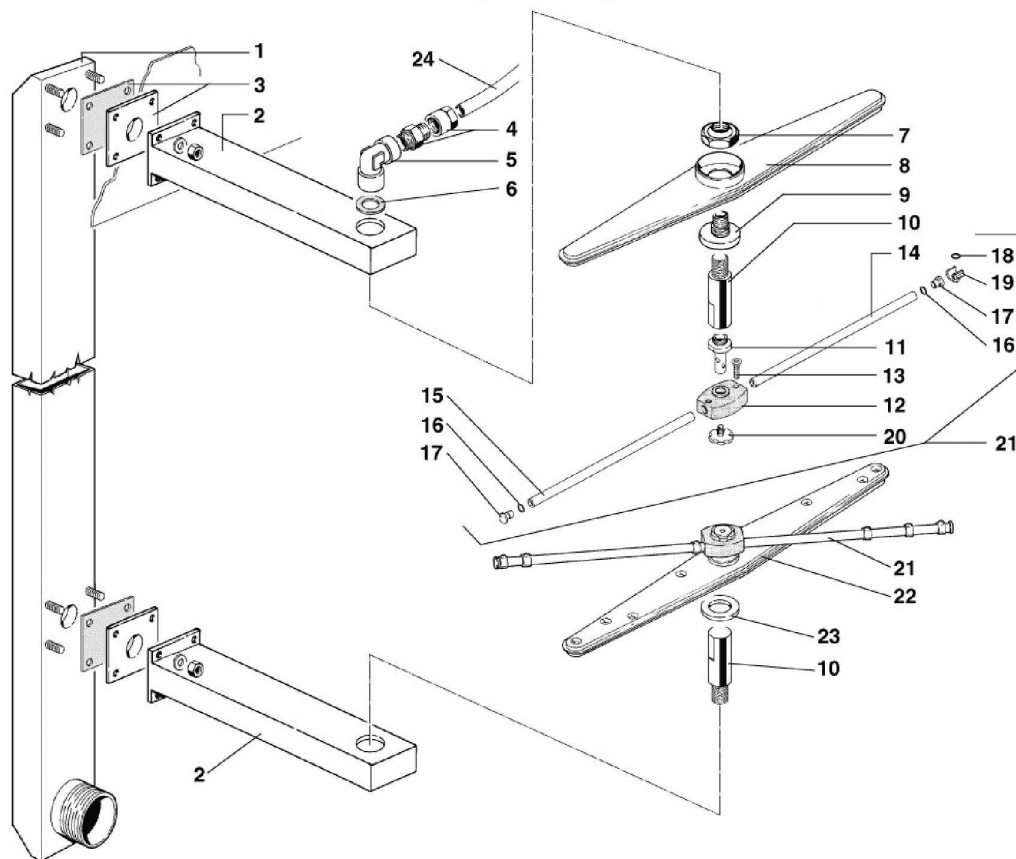
+7(812)987-08-81



Зип Ощепит

vsezip.ru

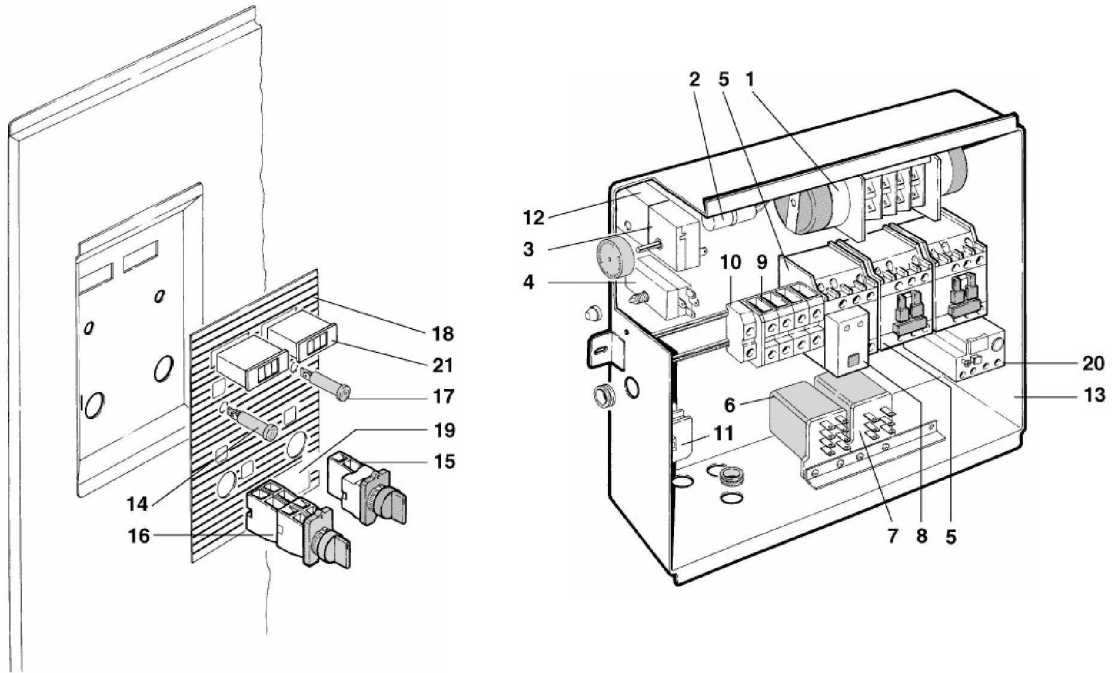
+7(812)987-08-81



Зип Общепит

vsezip.ru

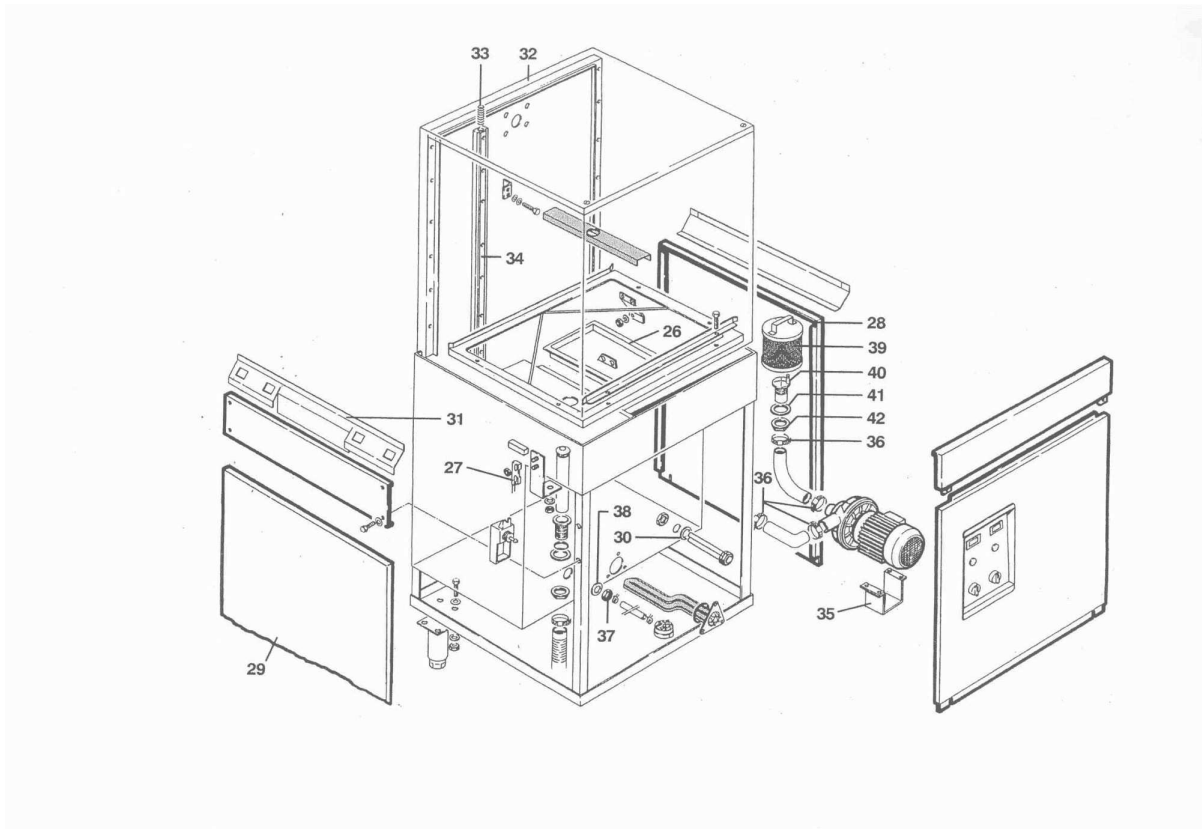
+7(812)987-08-81



Зип Общепит

vsezip.ru

+7(812)987-08-81



Page	Pos	Code	Description	Info
002	001	32M5740	WASHING PUMP	01/11/1999-
002	002	32V1870	PRESSURE-SWITCH 35/90	01/11/1999-
002	003	36Q0940	STAINLESS STEEL FOOD	01/11/1999-
002	004	32W0870	MAGNET	01/11/1999-
002	005	LC100-Pos.005	WASHING ARM COVER	01/11/1999-
002	006	111AA09	PROTECTION PIPE	01/11/1999-
002	007	30Q1070	BULB HOLDER	01/11/1999-
002	008	LC100-Pos.008	CLAMP	01/11/1999-
002	009	3033430	PIPE FOR OUTLET Ø19	01/11/1999-
002	009	3029590	PIPE FOR OUTLET 90° Ø32	01/02/2004-
002	010	33Q3690	RING NUT	01/11/1999-
002	011	3151930	O-RING	01/11/1999-
002	012	33Q2160	RING NUT	01/11/1999-
002	013	33Q4740	"DRAIN CONNECTION	01/11/1999-
002	014	33D2320	1"1/4" OVERFLOW	01/11/1999-
002	015	33D1390	AIR TRAP	01/11/1999-
002	016	33M1240	OUTLET ELBOW	01/11/1999-
002	017	33M1320	INTAKE PIPE FITTING	01/11/1999-
002	018	LC100-Pos.018	CONTROL PANEL	01/11/1999-
002	019	LC100-Pos.019	BACK FILTER SUPPORT	01/11/1999-
002	020	32G2590	HEATING ELEMENT 3KW	01/01/2003-
002	021	3152160	OR RING	01/11/1999-
002	022	3012540	FRAME	01/11/1999-
002	023	35U2170	GUIDE	01/11/1999-
002	024	3023830	FRONT PANEL	01/11/1999-
003	001	36G9030	JOINT PIN	01/11/1999-
003	002	36G9040	BEARING	01/11/1999-
003	003	3027630	WASHER	01/11/1999-
003	004	3123670	WASHER	01/11/1999-
003	005	LC100-Pos.005	SCREW	01/11/1999-
003	006	3005750	PLATE	01/11/1999-
003	007	3117620	STEEL NUT M10X8	01/11/1999-
003	008	LC100-Pos.008	WASHER	01/11/1999-
003	009	LC100-Pos.009	WASHER	01/11/1999-
003	010	36M6190	HANDLE	01/11/1999-
003	011	3140230	12/20 PIPE CLAMP	01/11/1999-
003	012	3233560		17/09/2015-
003	014	36G8870	SPRING	01/11/1999-
003	015	30T4190	CONNECTING ROD	01/11/1999-
003	016	36G9050	PIPE FITTING	01/11/1999-
003	017	3FL0245	UPPER BACK PANEL	01/11/1999-
003	018	3FL0246	LOWER BACK PANEL	01/11/1999-
003	019	36H0450	SMALL WHELL	01/11/1999-
003	020	36C3560	PIN	01/11/1999-
003	021	LC100-Pos.021	TANK	01/11/1999-
003	022	LC100-Pos.022	BASE	01/11/1999-
003	023	LC100-Pos.023	HOOD COVER	01/11/1999-
003	024	LC100-Pos.024	UPPER SIDE PANEL	01/11/1999-
003	025	LC100-Pos.025	SCREW	01/11/1999-
003	026	LC100-Pos.026	HOOD	01/11/1999-
003	027	3246180	SPLIT PIN 2x30	01/11/1999-



Page	Pos	Code	Description	Info
003	028	LC100-Pos.028	BACK STAY	01/11/1999-
003	029	LC100-Pos.029	BACK STAY	01/11/1999-
003	030	131AA14	RUBBER HOSE Ø20x13	01/11/1999-
003	031	LC100-Pos.031	BACK FRAME WORK	01/11/1999-
003	032	3060400	METAL BUSFINC	01/11/1999-
004	001	3116920	BOILER + HEATING ELEMENT	01/11/1999-
004	002	3140230	12/20 PIPE CLAMP	01/11/1999-
004	003	131AA14	RUBBER HOSE Ø20x13	01/11/1999-
004	004	33Q3070	"PIPE FITTING ""T"""	01/11/1999-
004	005	36U0720	INLET PIPE	01/11/1999-
004	006	33D2310	SOLENOID VALVE	01/11/1999-
004	007	33M1310	RUBBER PIPE	01/11/1999-
004	008	35P1560	ELECTRO-VALVE SUPPORT	01/11/1999-
004	009	33D2300	LANG DISPENSER	01/11/1999-
004	010	111AA09	PROTECTION PIPE	01/11/1999-
004	011	30Q1430	FILTER	01/11/1999-
004	012	3150321	HEAT.ELEM.PROTECTION	01/11/1999-
004	013	33D2100	SAFETY VALVE	01/09/2007-
004	014	32G2580	HEATING EL.	01/11/1999-
004	015	3150430	"O" RING Ø 56.52	01/11/1999-
004	016	LC100-Pos.016	DOSING DEVICE SUPPORT	01/11/1999-
004	017	LC100-Pos.017	CLAMP	01/11/1999-
005	001	LC100-Pos.001	WASHING PIPE	01/11/1999-
005	002	3027890	WASHING ARM	01/11/1999-
005	003	3151900	GASKET	01/11/1999-
005	004	33Q4280	PIPE FITTING	01/11/1999-
005	005	33Q4360	CONNECT	01/11/1999-
005	006	37Q4200	GASKET	01/11/1999-
005	007	36G8720	LOCK NUT	01/11/1999-
005	008	36G9100	WASHING ARM	01/11/1999-
005	009	36G9110	HUB	01/11/1999-
005	010	36G9120	UPPER WASHING PIN	01/11/1999-
005	011	36G9060	RINSE PIN	01/11/1999-
005	012	36G8550	RINSE HUB	01/11/1999-
005	013	31C0070	SCREW	01/11/1999-
005	014	35X4860	RIGHT RINSE ARM	01/11/1999-
005	015	35X4870	LEFT RINSE ARM	01/11/1999-
005	016	3152180	O RING	01/11/1999-
005	017	36C3870	"PLUG FOR ARM + RING ""OR"""	01/11/1999-
005	018	3152400	OO	01/11/1999-
005	019	33T2940	NOZZLE	01/11/1999-
005	020	33Q3710	RING NUT	01/11/1999-
005	021	30Z1491	COMPL. RINSE ARM	01/11/1999-
005	022	33Q4040	IMPELLER	01/11/1999-
005	023	3120380	WASHER	01/11/1999-
005	024	33M1440	PIPE Ø10X8 FORAFLOX	01/11/1999-
006	001	32V1930	"TIMER 85""-120""- 245"""	01/11/1999-
006	002	32V5640	FILTER	01/11/1999-
006	003	32V1910	THERMOSTAT 0-90	01/11/1999-
006	004	32Z8830	SAFETY THERMOSTAT	01/11/1999-
006	005	32V0560	CONTACTOR	01/11/1999-

Page	Pos	Code	Description	Info
006	006	32V0540	RELAY 230V	01/11/1999-
006	007	32V0540	RELAY 230V	01/04/2015-
006	008	3008410	AUXILIARY CONTACT	01/11/1999-
006	009	32V4940	TERMINAL 10 mm	01/11/1999-
006	010	LC100-Pos.010	GROUND TERMINAL	01/11/1999-
006	011	LC100-Pos.011	TERMINAL	01/11/1999-
006	012	32V1920	THERMOSTAT 55°C	01/11/1999-
006	013	LC100-Pos.013	CABINET	01/11/1999-
006	014	32W2140	LAMP	01/11/1999-
006	015	32Z8670	SWITCH	01/11/1999-
006	016	32W2150	SWITCH	01/11/1999-
006	017	32W2130	LAMP	01/11/1999-
006	018	37N1930	SILK-SCREEN PANEL BOARD	01/11/1999-
006	019	37N1930	SILK-SCREEN PANEL BOARD	01/11/1999-
006	020	32Z8730	OVERLOAD RELAY 2,5- 4A	01/11/1999-
006	021	32V1900	THERMOMETER	01/11/1999-
007	026	30Q1470	FILTER INOX	01/09/2000-
007	027	32W2160	MICROSWITCH	01/11/1999-
007	028	3012550	RH SIDE PANEL	01/11/1999-
007	029	3013060	LH SIDE PANEL	01/11/1999-
007	030	37Q2840	GASKET	01/11/1999-
007	031	LC100-Pos.031	FRAME SUPPORT	01/11/1999-
007	032	LC100-Pos.032	BACK FRAME WORK	01/11/1999-
007	033	36G9090	SPRING	01/11/1999-
007	034	30T4000	SLIDING RAIL	01/11/1999-
007	035	LC100-Pos.035	PUMP SUPPORT	01/11/1999-
007	036	3022220	CLAMP	01/11/1999-
007	037	33Q2190	RING NUT	01/11/1999-
007	038	3151890	GASKET	01/11/1999-
007	039	30Q1440	FILTER	01/11/1999-
007	040	33Q4250	ONTAKE PIPE FITTING	01/11/1999-
007	041	37Q4210	GASKET	01/11/1999-
007	042	33Q4260	LOCK NUT	01/11/1999-