

Зип Общепит

vsezip.ru

+7(812)987-08-81



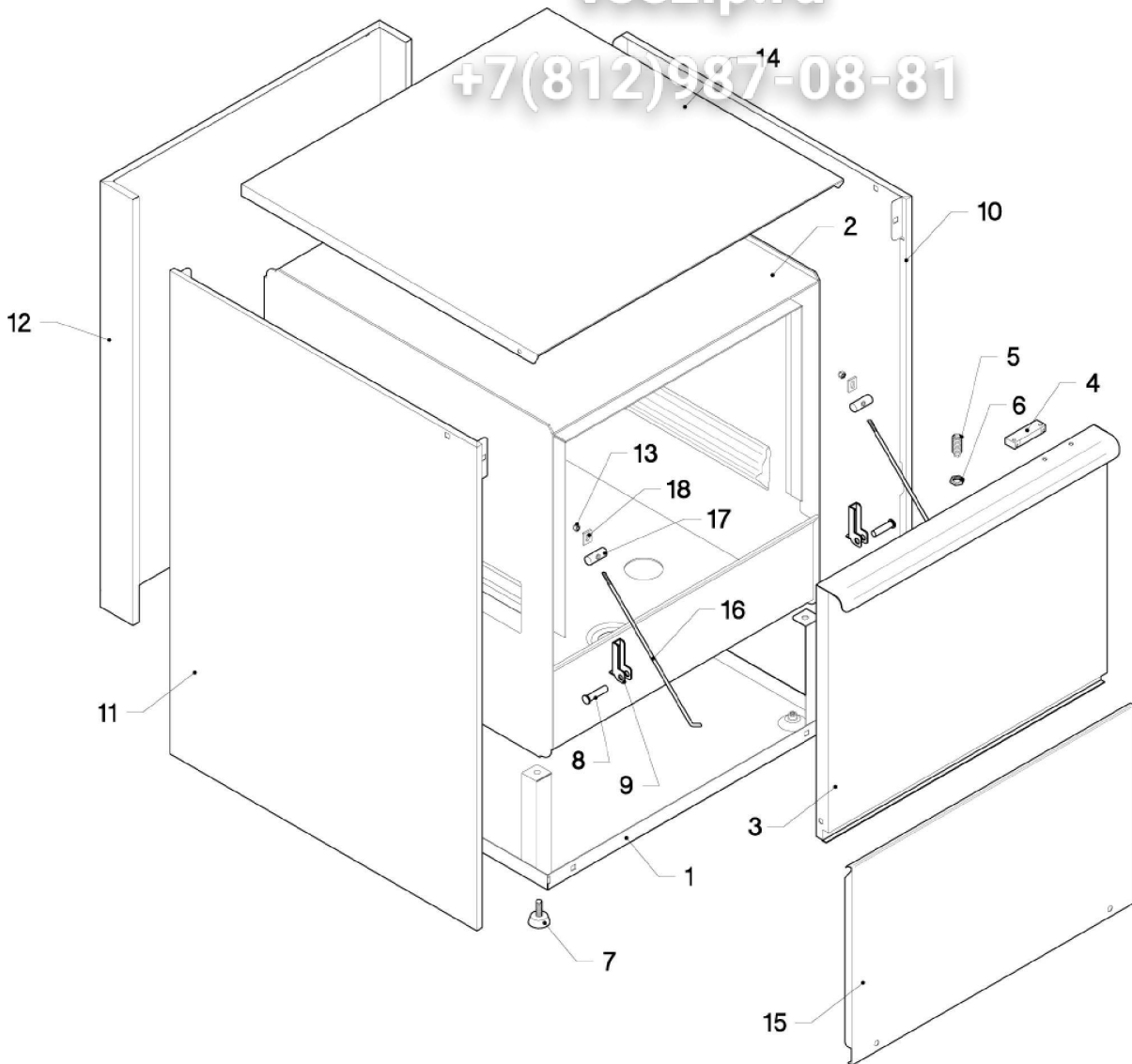
LF50EMPS

Edition 20110101-

Зип Общепит

vsezip.ru

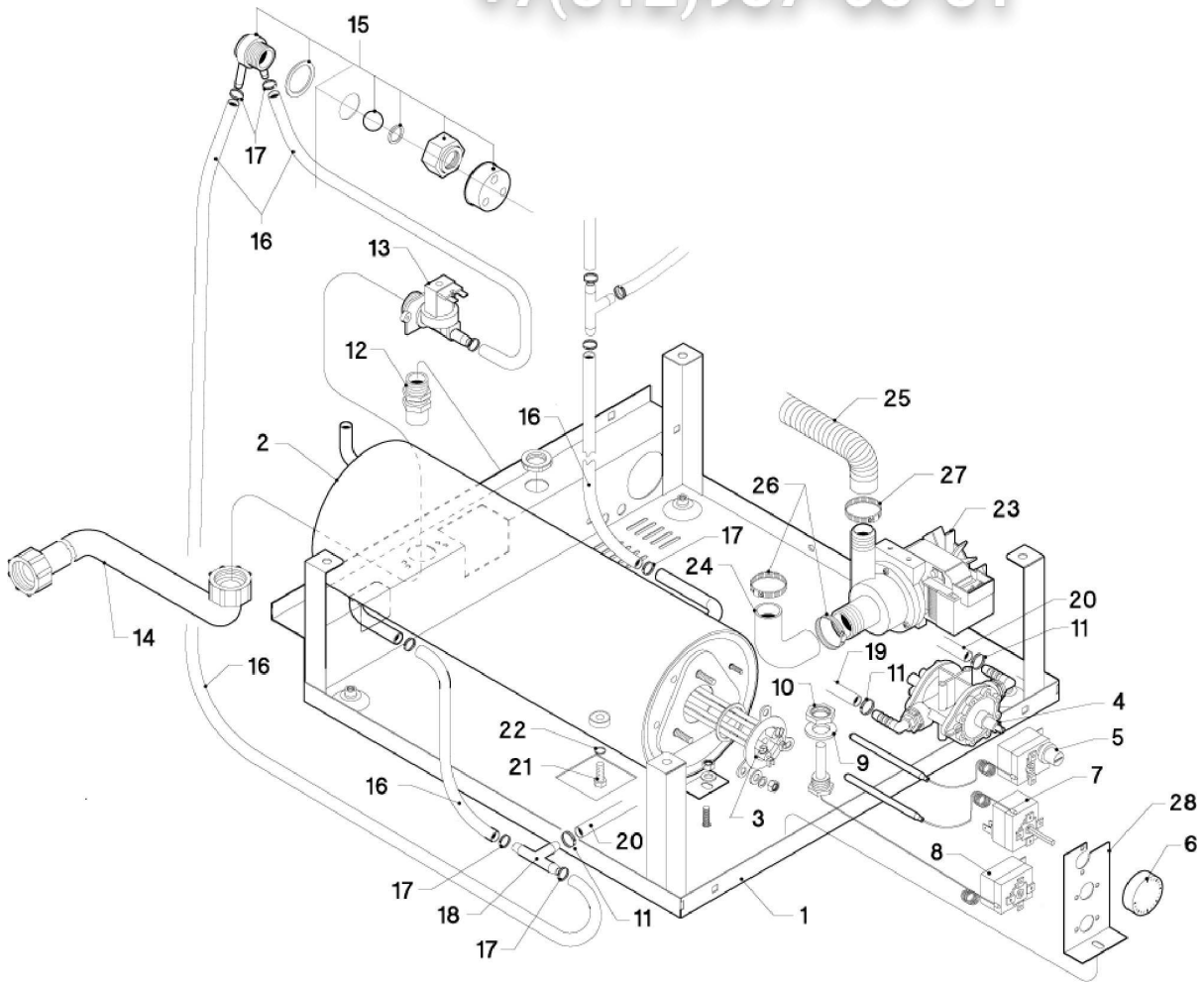
+7(812)987-08-81



Зип Общепит

vsezip.ru

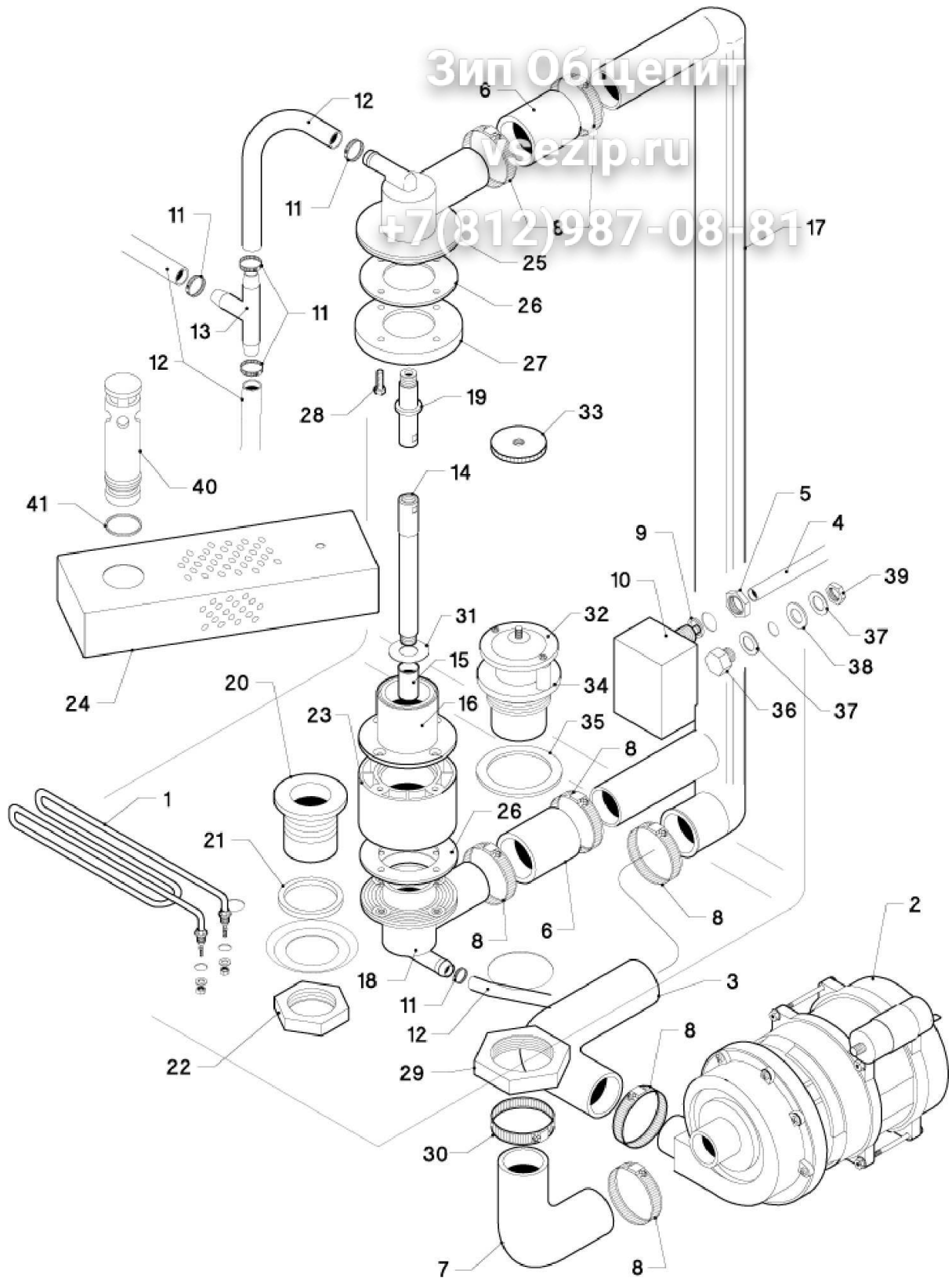
+7(812)987-08-81



Зип Общепит

vsezip.ru

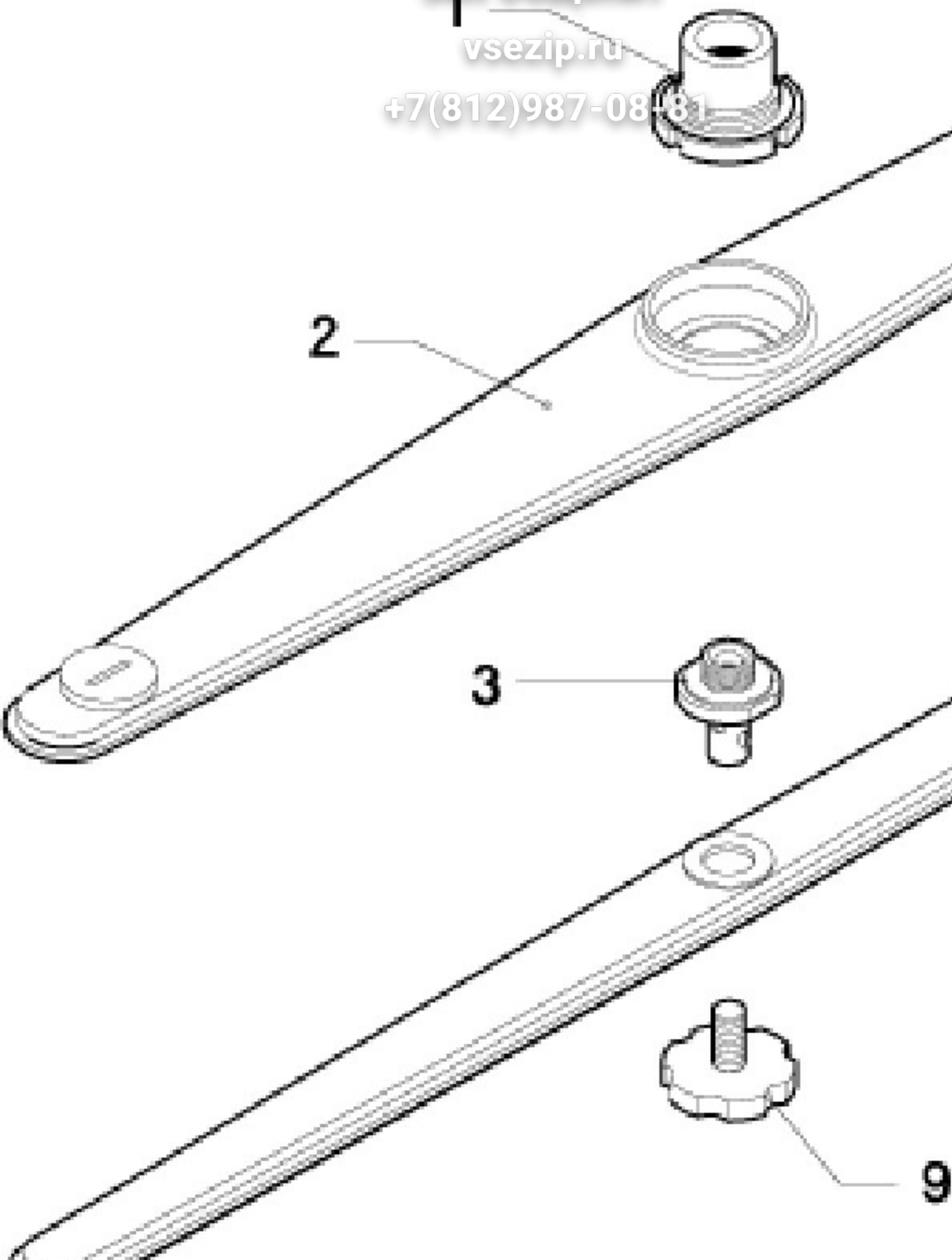
+7(812)987-08-81 17



Зип Общепит

vsezip.ru

+7(812)987-08481



2

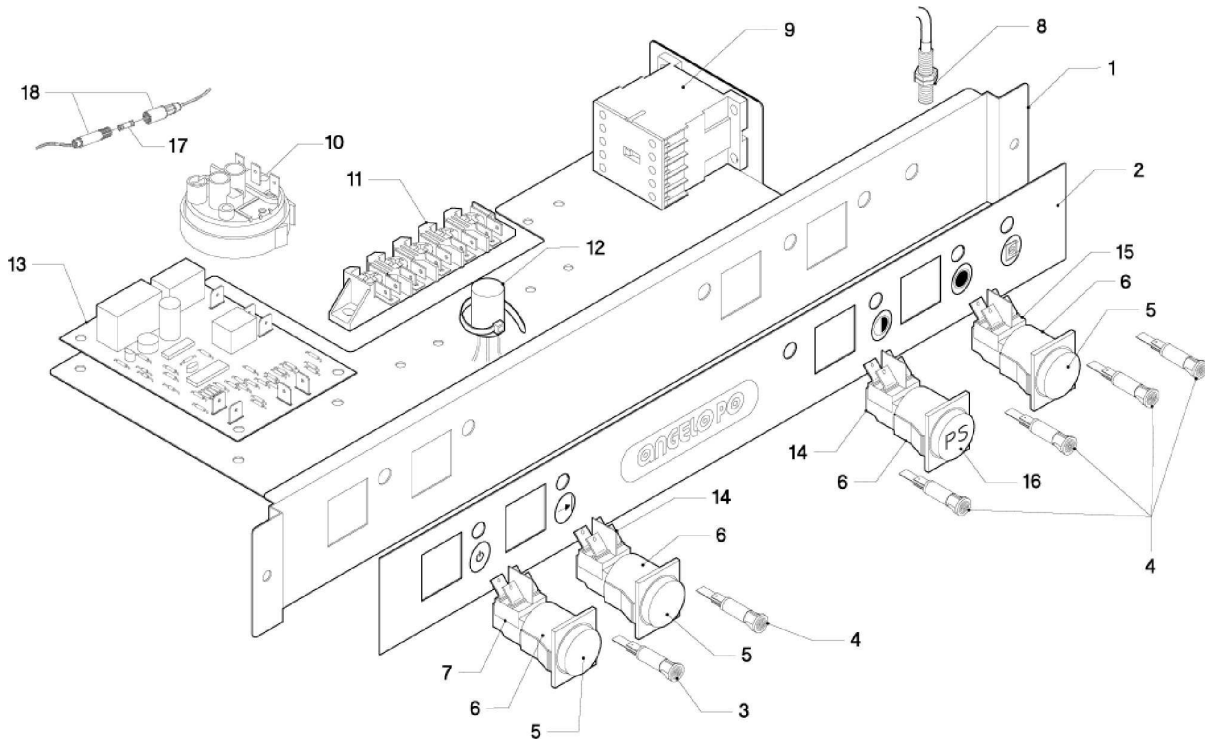
3

9

Зип Общепит

vsezip.ru

+7(812)987-08-81



| Page | Pos | Code | Description | Info |
|------|-----|------------------|--------------------------------|-------------|
| 002 | 001 | LF50EMPS-Pos.001 | BASE | 01/01/2007- |
| 002 | 002 | 3191250 | TANK | 01/01/2007- |
| 002 | 003 | 3025220 | DOOR ASS. Y | 01/01/2007- |
| 002 | 004 | 3023650 | PROTECTION MAGNETO | 01/01/2007- |
| 002 | 005 | 31W0061 | SPRING | 01/01/2007- |
| 002 | 006 | 3110250 | NUT CATCH | 01/01/2007- |
| 002 | 007 | 3028470 | PLASTIC FOOT | 01/09/2009- |
| 002 | 008 | 36G9150 | DOOR PIN | 01/01/2007- |
| 002 | 009 | 36M6230 | DOOR HINGE | 01/01/2007- |
| 002 | 010 | 3178320 | RIGHT PANEL | 15/03/2010- |
| 002 | 011 | 3182150 | LEFT PANEL | 15/03/2010- |
| 002 | 012 | 3182160 | BACK PANEL | 15/03/2010- |
| 002 | 013 | 3113200 | NUT | 01/01/2007- |
| 002 | 014 | 3027830 | UPPER SIDE PANEL | 01/01/2007- |
| 002 | 015 | 3025230 | LOWER PANEL | 01/01/2007- |
| 002 | 016 | 36H0670 | DOOR SCREW STAY | 01/01/2007- |
| 002 | 017 | 35Z5530 | PLATE | 01/01/2007- |
| 002 | 018 | LF50EMPS-Pos.018 | DOOR SUPPORT | 01/01/2007- |
| 003 | 001 | LF50EMPS-Pos.001 | BASE | 01/01/2007- |
| 003 | 002 | LF50EMPS-Pos.002 | BOILER | 01/01/2007- |
| 003 | 003 | 32G2140 | HEATING EL. | 01/01/2007- |
| 003 | 004 | 33D2300 | LANG DISPENSER | 01/01/2007- |
| 003 | 005 | 32Z8830 | SAFETY THERMOSTAT | 01/01/2007- |
| 003 | 006 | 36M2830 | HANDLE | 01/01/2007- |
| 003 | 007 | 32Z8840 | THERMOSTAT 30-90C | 01/01/2007- |
| 003 | 008 | 32V2630 | TANK THERMOSTAT | 01/01/2007- |
| 003 | 009 | 3037870 | GASKET | 01/01/2007- |
| 003 | 010 | 33Q2190 | RING NUT | 01/01/2007- |
| 003 | 011 | LF50EMPS-Pos.011 | CLAMP | 01/01/2007- |
| 003 | 012 | LF50EMPS-Pos.012 | FIXING CABLE | 01/01/2007- |
| 003 | 013 | 33D2310 | SOLENOID VALVE | 01/01/2007- |
| 003 | 014 | 33M0350 | PIPE | 01/01/2007- |
| 003 | 015 | 33D2100 | SAFETY VALVE | 01/09/2007- |
| 003 | 016 | 131AA14 | RUBBER HOSE Ø20x13 | 01/01/2007- |
| 003 | 017 | 3140230 | 12/20 PIPE CLAMP | 01/01/2007- |
| 003 | 018 | 3175720 | THREADED JOINT | 01/01/2007- |
| 003 | 019 | 3203310 | PIPE | 01/01/2007- |
| 003 | 020 | 3190430 | PRESSURE SWITCH PIPE | 01/01/2007- |
| 003 | 021 | LF50EMPS-Pos.021 | SCREW | 01/01/2007- |
| 003 | 022 | 3152420 | O-RING | 01/01/2007- |
| 003 | 023 | 3228810 | DRAIN PUMP | 01/01/2010- |
| 003 | 024 | LF50EMPS-Pos.024 | INLET ELBOW | 01/01/2007- |
| 003 | 025 | 3033430 | PIPE FOR OUTLET Ø19 L=2000 FOR | 01/01/2007- |
| 003 | 026 | LF50EMPS-Pos.026 | CLAMP | 01/01/2007- |
| 003 | 027 | LF50EMPS-Pos.027 | CLAMP | 01/01/2007- |
| 003 | 028 | 3221670 | THERMOSTAT SUPPORT | 01/01/2007- |
| 004 | 001 | 32G2070 | HEATING ELEMENT 2000W | 01/06/2010- |
| 004 | 002 | 32M5770 | PUMP | 01/01/2007- |
| 004 | 003 | 3027800 | OUTLET ELBOW | 01/01/2007- |
| 004 | 004 | 3190430 | PRESSURE SWITCH | 01/01/2007- |
| 004 | 005 | 33Q2190 | PIPE RING NUT | 01/01/2007- |

| Page | Pos | Code | Description | Info |
|------|-----|------------------|-----------------------------|-------------|
| 004 | 006 | 3065600 | PIPE | 01/01/2007- |
| 004 | 007 | 3027810 | INLET ELBOW | 01/01/2007- |
| 004 | 008 | LF50EMPS-Pos.008 | CLAMP | 01/01/2007- |
| 004 | 009 | 3151890 | GASKET | 01/01/2007- |
| 004 | 010 | 33M0510 | AIR TRAP | 01/01/2007- |
| 004 | 011 | 3140230 | 12/20 PIPE CLAMP | 01/01/2007- |
| 004 | 012 | 131AA14 | RUBBER HOSE Ø20x13 | 01/01/2007- |
| 004 | 013 | 33M0580 | RINSE COUPLING | 01/01/2007- |
| 004 | 014 | 3092670 | INFERIOR RINSE PIN | 01/01/2007- |
| 004 | 015 | 3070120 | REDUCTION BUSH | 01/01/2007- |
| 004 | 016 | 3070540 | WASHING INFER. PIPE FITTING | 01/01/2007- |
| 004 | 017 | 3065610 | UPPER OUTLET PIPE | 01/01/2007- |
| 004 | 018 | 3056450 | WASHING/RINSE HUB | 01/01/2007- |
| 004 | 019 | 33Q1090 | PIN | 01/01/2007- |
| 004 | 020 | 6300893 | EXHAUST RAMMER + OVER FLOW | 01/01/2009- |
| 004 | 021 | 3151930 | O-RING | 01/01/2007- |
| 004 | 022 | 33Q2160 | RING NUT | 01/01/2007- |
| 004 | 023 | 3025010 | SPACER | 01/01/2007- |
| 004 | 024 | 3023640 | TANK FILTER | 01/01/2007- |
| 004 | 025 | 33M0130 | WASHING/RINSE HUB | 01/01/2007- |
| 004 | 026 | 3150230 | GASKET | 01/01/2007- |
| 004 | 027 | 33M0360 | FLANGE | 01/01/2007- |
| 004 | 028 | LF50EMPS-Pos.028 | SCREW | 01/01/2007- |
| 004 | 029 | 33Q4190 | LOCK NUT | 01/01/2007- |
| 004 | 030 | LF50EMPS-Pos.030 | CLAMP Ø 44÷56 | 01/01/2007- |
| 004 | 031 | 3092680 | WASHER | 01/01/2007- |
| 004 | 032 | 3095440 | INTAKE PIPE FITTING COVER | 01/01/2007- |
| 004 | 033 | 3100110 | RING NUT | 01/01/2007- |
| 004 | 034 | 33Q4180 | INTAKE PIPE FITTING ASS.Y | 01/01/2007- |
| 004 | 035 | 37Q4190 | GASKET | 01/01/2007- |
| 004 | 036 | LF50EMPS-Pos.036 | SCREW M10X16 | 01/01/2007- |
| 004 | 037 | LF50EMPS-Pos.037 | WASHER | 01/01/2007- |
| 004 | 038 | LF50EMPS-Pos.038 | GASKET | 01/01/2007- |
| 004 | 039 | LF50EMPS-Pos.039 | NUT M10 | 01/01/2007- |
| 004 | 040 | 3023290 | Overflow pipe | 01/01/2007- |
| 004 | 041 | 3152690 | O RING | 01/01/2007- |
| 005 | 001 | 33M0500 | HUB+NUT | 01/01/2007- |
| 005 | 002 | 36G8540 | WASH BLADES 495X58X16 | 01/01/2007- |
| 005 | 003 | 3116590 | RINSE PIN | 01/07/2007- |
| 005 | 009 | 33Q3710 | RING NUT | 01/01/2007- |
| 005 | 013 | 3022680 | WASHING ARM | 01/01/2007- |
| 005 | 014 | 3116580 | RINSE ARM | 01/07/2007- |
| 005 | 015 | 3011210 | PLUG | 01/01/2007- |
| 005 | 016 | LF50EMPS-Pos.016 | O-RING | 01/01/2007- |
| 006 | 001 | 3112320 | ELECTRIC PANEL | 01/01/2007- |
| 006 | 002 | 3112330 | PLATE | 01/01/2007- |
| 006 | 003 | 32W2140 | LAMP | 01/01/2007- |
| 006 | 004 | 32W2130 | LAMP | 01/01/2007- |
| 006 | 005 | LF50EMPS-Pos.005 | KEY | 01/01/2007- |
| 006 | 006 | 3028840 | SUPPORT KEY | 01/01/2007- |
| 006 | 007 | 3191300 | ON/OFF SWITCH | 01/01/2007- |

| Page | Pos | Code | Description | Info |
|------|-----|---------|-----------------------|-------------|
| 006 | 008 | 32Z8650 | MAGNETIC REED | 01/01/2007- |
| 006 | 009 | 32V0560 | CONTACTOR | 01/01/2007- |
| 006 | 010 | 32V3970 | PRESSURE SWITCH 30/40 | 01/01/2007- |
| 006 | 011 | 32D1700 | TERMINAL BOARD | 01/01/2007- |
| 006 | 012 | 32V5640 | FILTER | 01/01/2007- |
| 006 | 013 | 3207870 | ELECTRONIC TYMER | 01/01/2011- |
| 006 | 014 | 3028850 | CYCLE PUSH-BUTTON | 01/01/2007- |
| 006 | 015 | 3191310 | TIME SELECTORSWITCH | 01/01/2007- |
| 006 | 016 | 3028860 | KEY | 01/01/2007- |
| 006 | 017 | 3023850 | FUSE | 21/03/2008- |
| 006 | 018 | 3023860 | FUSE HOLDER | 21/03/2008- |