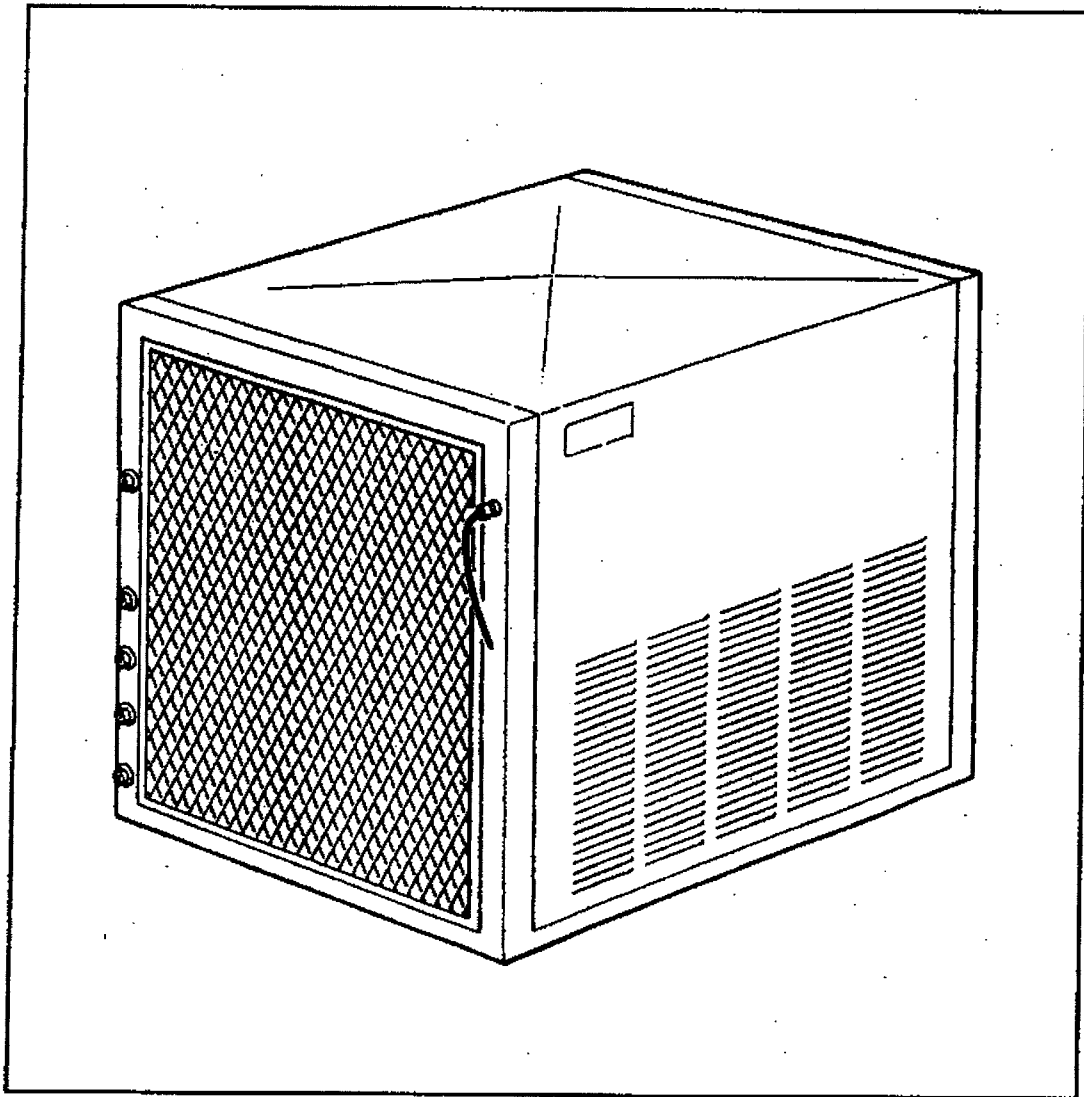


Зип Общепит
ME 61
vsezip.ru

Electronic modular flaker

Spare parts list
Catalogo ricambi
Catalogues pièces détachées
Ersatzteilkatalog



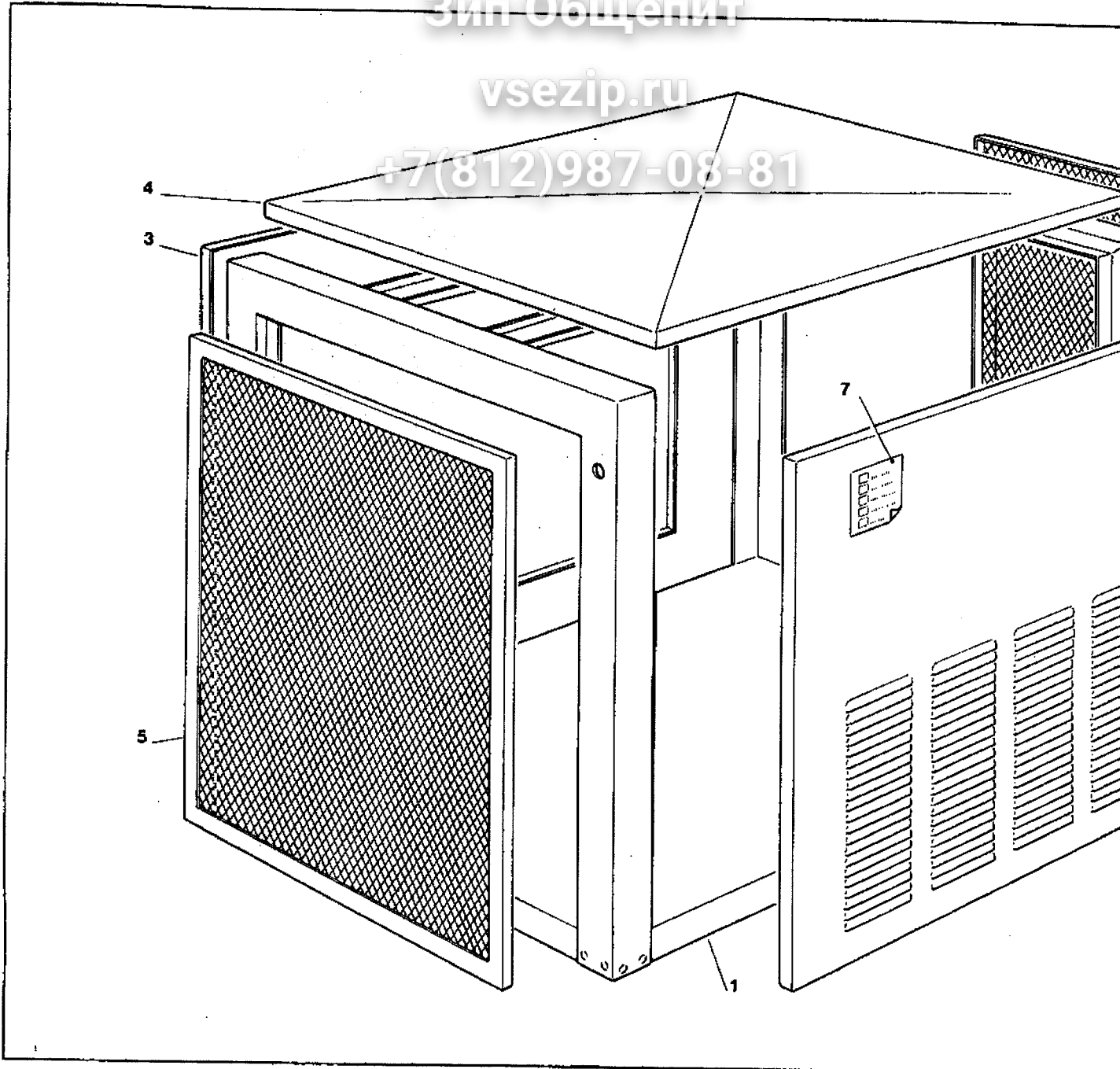
SCOTSMAN®

ICE SYSTEMS

Зип-Общепит

vsezip.ru

+7(812)987-08-81



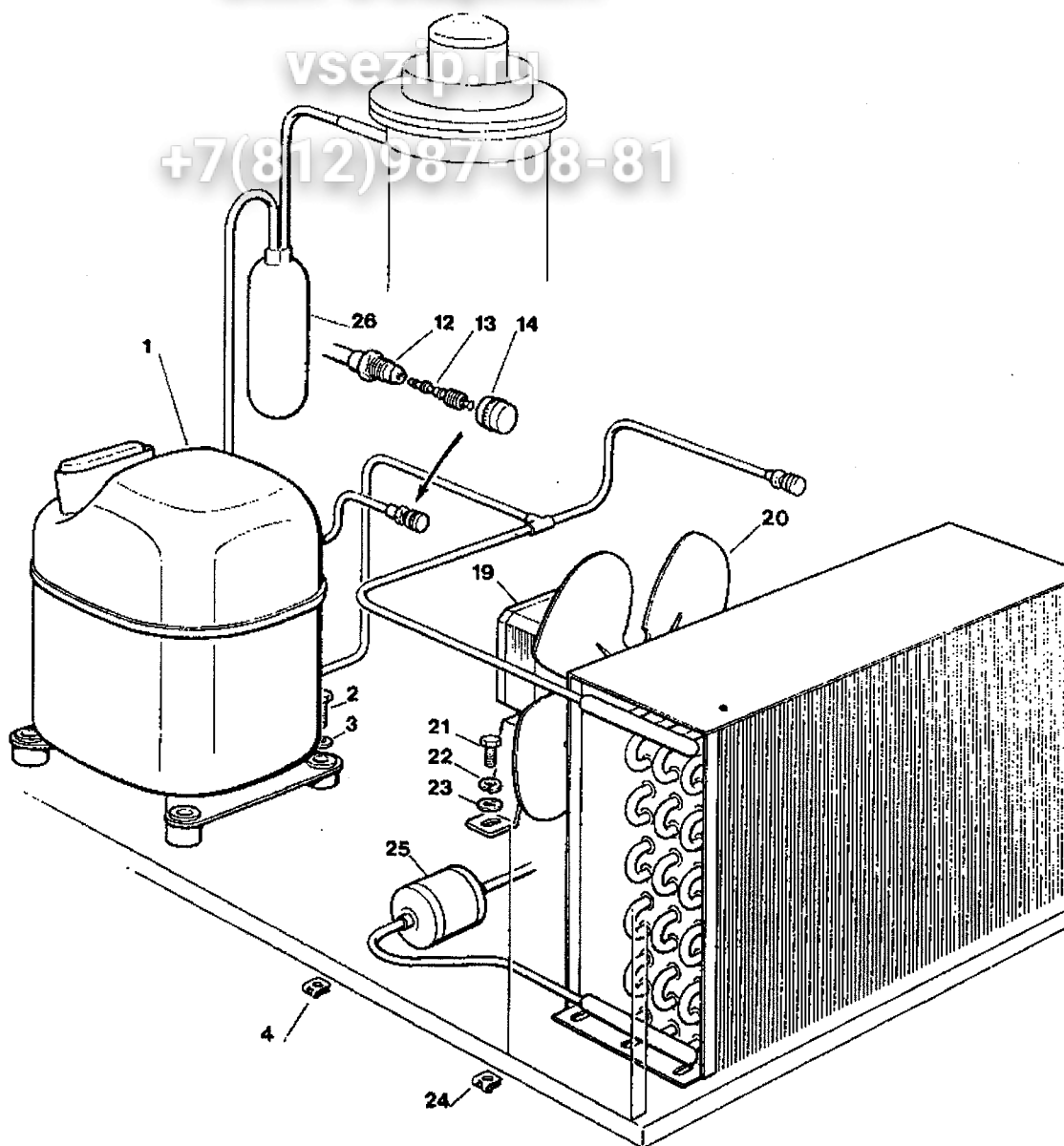
MF 61 - UNIT PANELS - ASSIEME MOBILE - ENS. CARROSSERIE - MACHINE GEH

ITEM NO POS NO REP. NO REF. NO	PART NO CODICE REFERENCE STUECK NR	DESCRIPTION	DESCRIZIONE	DESIGNATION
1	791046 04	FRAME ASSY S.S.	ACSIEME TELAIO ACCIAIO INOX	ENSAMBLE CHASSIS ACIER INOX
2	721555 01	FRONT PANEL S.S.	PANNELLO FRONTALE ACCIAIO INOX	PANNEAU AVANT ACIER INOX
3	702080 01	REAR PANEL S.S.	PANNELLO POSTERIORE ACC. INOX	PANNEAU ARRIERE ACIER INOX
4	702081 01	TOP PANEL S.S.	PANNELLO SUPERIORE ACCIAIO INOX	PANNEAU SUP. ACIER INOX
5-6	781374 09	SIDE PANEL S.S.	PANNELLO LATERALE ACC. INOX	PANNEAU COTE ACIER INOX
7	850624 04	LABEL	ADESIVO SEGNALETICO	ETIQUETTE

Зип Общепит

vsezip.ru

+7(812)987-08-81



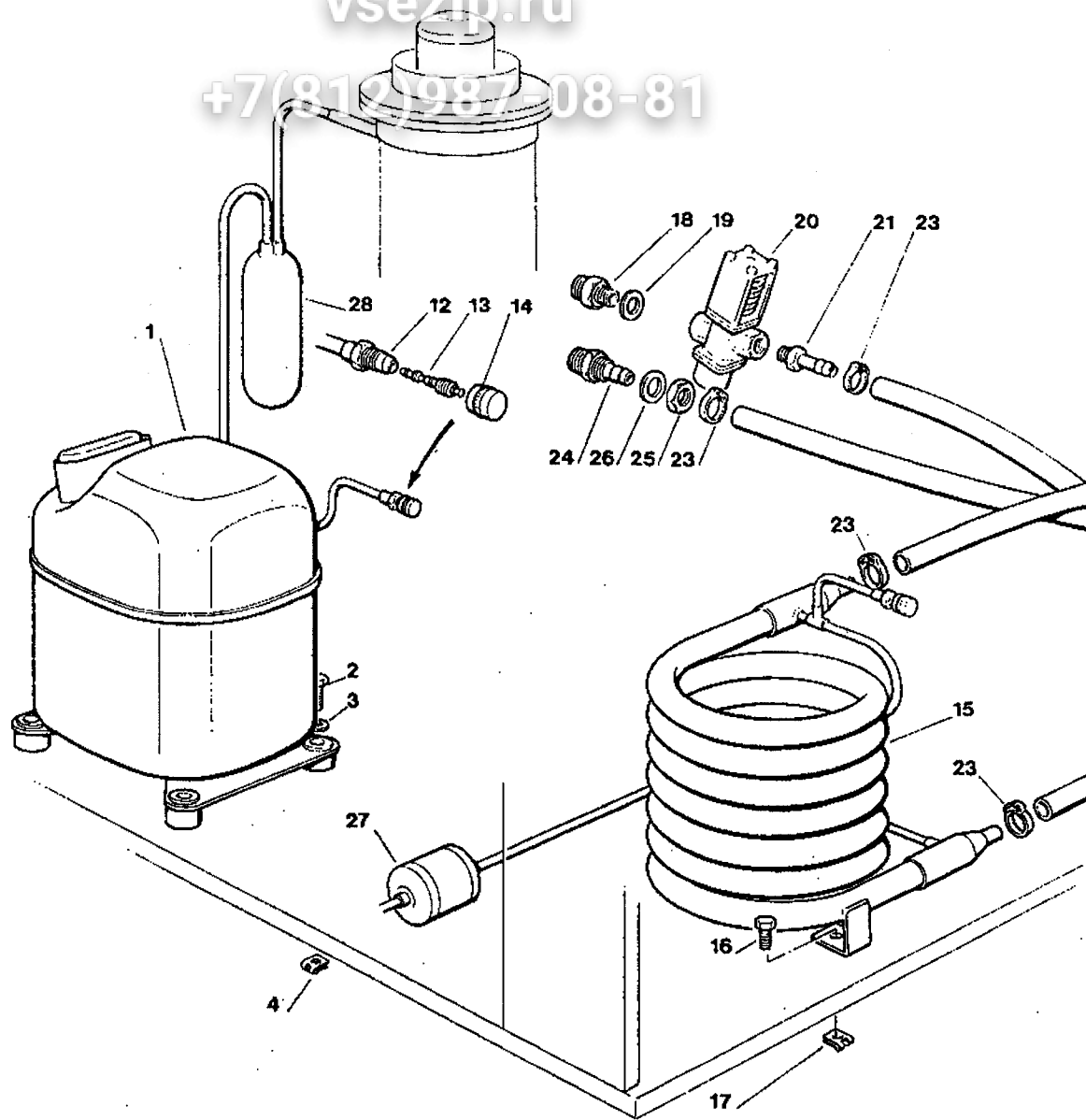
MF 61 - REFRIGERANT SYSTEM AIR COOLED - SISTEMA REFRIGERANTE RAFFREDDAMENTO
 CIRCUIT FRIGORIFIQUE REFRROID. PAR AIR - LUFTGEKÜHLT GEFRIERSYSTEM

ITEM NO POS NO REP. NO REF. NO	PART NO CODICE REFERENCE STUECK NR	DESCRIPTION	DESCRIZIONE	DESIGNATION
1	670096 01 670096 00	COMPRESSOR ASSY 220 V COMPRESSOR ASSY 380 V	ASSIEME COMPRESSORE 220 V ASSIEME COMPRESSORE 380 V	ENSAMBLE COMPRESSEUR ENSAMBLE COMPRESSEUR
2	420022 00	SCREW	VITE	VIS
3	441001 07	WASHER	RONDELLA	RONDELLE
4	650407 00	METAL CLIP	DADO IN GABBIA	ECROU
6	420000 12	SCREW	VITE	VIS
7	440015 05	WASHER	RONDELLA	RONDELLE
12	650109 00	VALVE BODY	CORPO VALVOLA	CORPS DE VANNE
13	670012 00	VALVE PISTON	PISTONCINO VALVOLA	PISTON
14	650108 00	VALVE CAP	CAPPUCCIO VALVOLA	CAPUCHON DE VANNE
15	620388 00 702063 01	AIR COOLED CONDENSER CONDENSER SHROUD	CONDENSATORE AD ARIA CONVOGLIATORE	CONDENSEUR A AIR CONVECTEUR DU CONDENS
19	620273 00 620338 00	FAN MOTOR FAN GUARD	MOTORE VENTILATORE GRIGLIA VENTILATORE	MOTEUR VENTILATEUR PROTECTION D'HELICE
20	620274 00	FAN BLADE	VENTOLA	HELICE
21	420000 22	SCREW	VITE	VIS
22	440003 00	WASHER	RONDELLA	RONDELLE
23	440026 00	LOCK WASHER	RONDELLA SPACCATA	RONDELLE
24	400044 02	METAL CLIP	DADO IN GABBIA	ECROU
25	670024 04	DRIER	FILTRO DEUMIDIFICATORE	FILTRE DESHYDRATEUR
26	784376 00	SUCTION LINE/ACCUMULATOR	ACCUMUL. E LINEA ASPIRAZIONE	ENS. ASPIRATION/ACCUMUL

Зип Ощепит

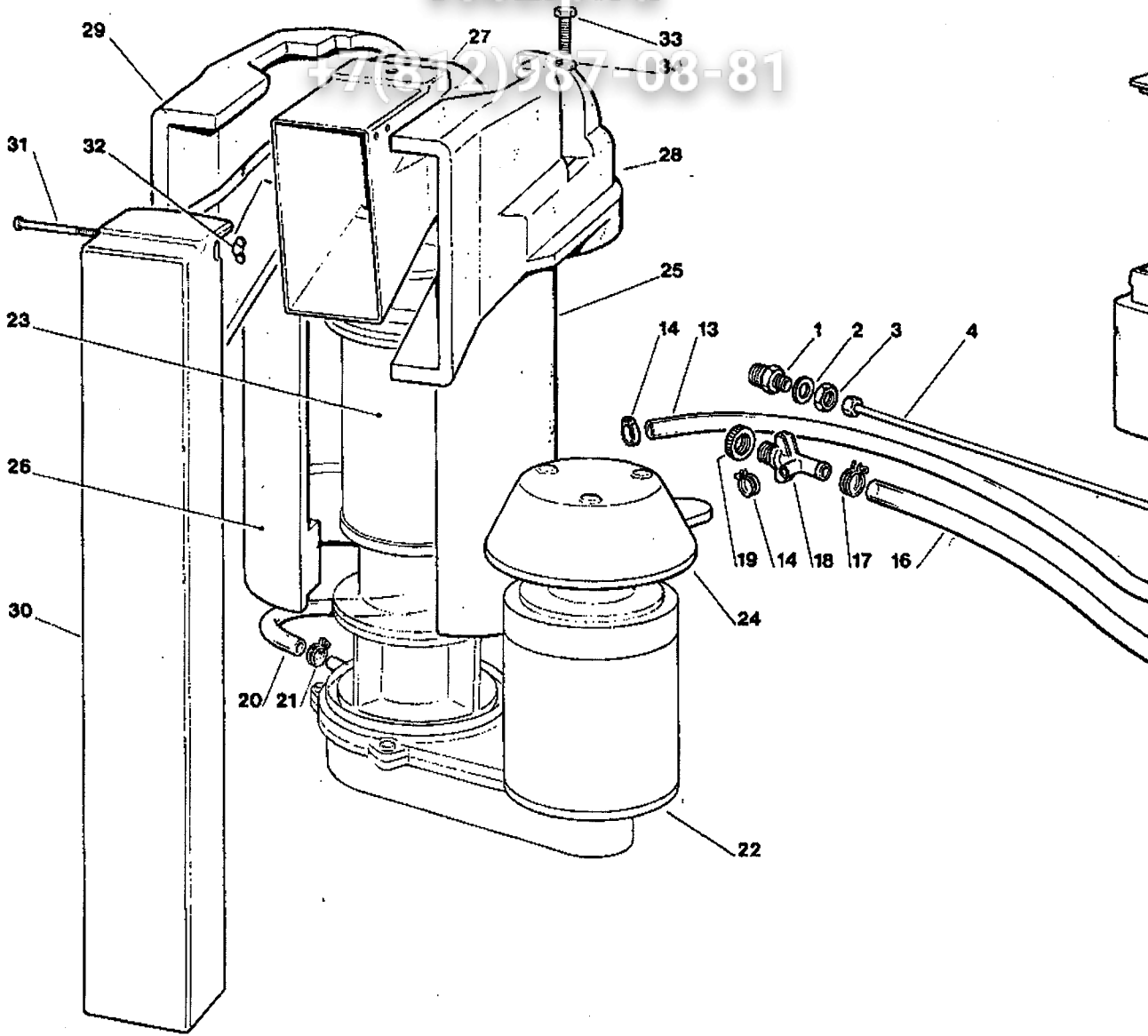
vsezip.ru

+7(812)987-08-81



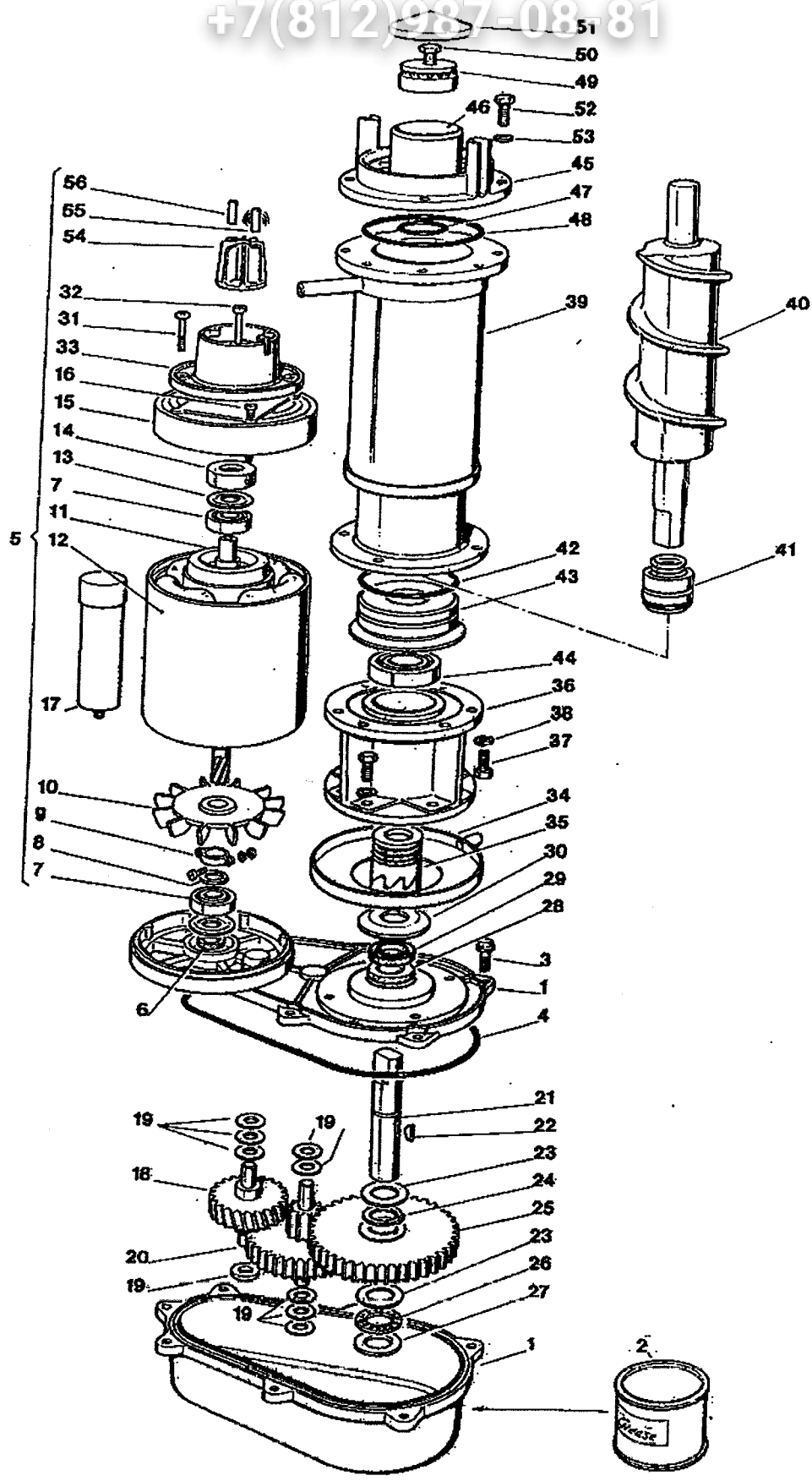
MF 61 - REFRIGERANT SYSTEM WATER COOLED - SISTEMA REFRIGERANTE RAFFR.
CIRCUIT FRIGORIFIQUE REFROID. PAR EAU - WASSERGEKÜHLT GEFRIERSYST

ITEM NO POS NO REP. NO REF. NO	PART NO CODICE REFERENCE STUECK NR	DESCRIPTION	DESCRIZIONE	DESIGNATION
1	670096 01 670096 00	COMPRESSOR ASSY 220 V COMPRESOR ASS 380 V	ASSEMBLE COMPRESORE 220 V ASSEMBLE COMPRESORE 380 V	ENSAMBLE COMPRESSEUR 220 ENSAMBLE COMPRESSEUR 380
2	420022 00	SCREW	VITE	VIS
3	441001 07	WASHER	RONDELLA	RONDELLE
4	650407 00	METAL CLIP	DADO IN GABBIA	ECROU
6	420000 12	SCREW	VITE	VIS
7	440015 05	WASHER	RONDELLA	RONDELLE
12	650109 00	VALVE BODY	CORPO VALVOLA	CORPS DE VANNE
13	670012 00	VALVE PISTON	PISTONCINO VALVOLA	PISTON
14	650106 00	VALVE CAP	CAPPUCCIO VALVOLA	CAPUCHON DE VANNE
15	620390 01	WATER COOLED CONDENSER	CONDENSATORE AD ACQUA	CONDENSEUR A EAU
16	420000 12	SCREW	VITE	VIS
17	650029 03	METAL CLIP	DADO IN GABBIA	ECROU
18	733204 00	WATER INLET FITTING	RACCORDO INGRESSO ACQUA	RACCORD ARRIVÉE D'EAU
19	400031 01	FIBER WASHER	RONDELLA IN FIBRA	RONDELLE EN FIBRE
20	620111 00	WATER REGULATING VALVE	VALVOLA PRESSOSTATICA	VANNE A EAU PRESSOSTATIQUE
21	733173 00	OUTLET VALVE FITTING	RACCORDO USCITA VALVOLA PRESS.	RACCORD SORTIE VALVE PRESS.
22	281900 03	PLASTIC TUBE-PER METER	TUBO IN PLASTICA-PER METRO	TUYAU EN PLASTIQUE-POUR ME
23	650499 00	PLASTIC CLAMP	FASCETTA IN PLASTICA	COLLIER EN PLASTIQUE
24	733174 00	WATER DRAIN FITTING	RACCORDO SCARICO ACQUA	RACCORD ÉVACUATION EAU
25	400076 00	NUT	DADO	ECROU
26	400031 00	FIBER WASHER	RONDELLA IN FIBRA	RONDELLE EN FIBRE
27	670024 04	DRIER	FILTRO DEUMIDIFICATORE	FILTRE DESHYDRATEUR
28	784376 00	SUCTION LINE/ACCUMULATOR	ACCUMUL. E LINEA ASPIRAZIONE	ENS. ASPIRATION/ACCUMULATEUR



MF 61 - WATER SYSTEM AND INSULATIONS - CIRCUITO IDRAULICO ED ISOLAZIONE
 CIRCUIT HYDRAULIQUE ET ISOLATIONS - WASSERKREISLAUF UND ISOLIERUNG

ITEM NO POS NO REP. NO REF. NO	PART NO CODICE REFERENCE STUECK NR	DESCRIPTION	DESCRIZIONE	DESIGNATION
1	733205 00	WATER INLET FITTING	RACCORDO INGRESSO ACQUA	RACCORD ARRIVEE D'EAU
2	400031 00	FIBER WASHER	RONDELLA IN FIBRA	RONDELLE EN FIBRE
3	400030 01	NUT	DADO	ECROU
4	NO NUMBER	COPPER TUBE	TUBO DI RAME	TUYAU EN CUIVRE
5	430031 00	NUT	DADO	ECROU
6	680363 00	WATER RESERVOIR COVER	COPERCHIO VACHETTA	COUVERCLE
7	724215 06	WATER LEVEL METAL PIN	PERNO SENSORE LIVELLO ACQUA	DETECTEUR NIVEAU EAU
8	783153 00	NOZZLE	UGELLO	GICLEUR
9	783127 00	FLOAT VALVE ASSY	ASS. GALLEGGIANTE	ENS. VANNE A FLOTTEUR
10	480038 02	CLIP RING	ANELLO SEEGER	CIRCLIP
11	640100 00	O RING	GUARNIZIONE OR	JOINT TORIQUE
12	793126 00	WATER RESERVOIR ASSY	ASS. VASCHETTA GALLEGGIANTE	ENS. RESERVOIR
13	281830 01	PLASTIC TUBE - PER MTR	TUBO IN PLASTICA - PER METRO	TUYAU EN PLASTIQUE - POUR
14	650499 00	CLAMP	FASCETTA	COLLIER
15	480022 00	PLASTIC CLAMP	FASCETTA IN PLASTICA	COLLIER EN PLASTIQUE
16	281900 02	PLASTIC TUBE - PER MTR	TUBO IN PLASTICA - PER METRO	TUYAU EN PLASTIQUE - POUR
17	460036 00	CLAMP	FASCETTA	COLLIER
18	660224 00	WATER DRAIN FITTING	RACCORDO SCARICO ACQUA	RACCORD EVACUATION EAU
19	660535 00	PLASTIC RING NUT	GHIERA IN PLASTICA	COLLIER DE SERRAGE EN PLAS
20	610163 02	PLASTIC TUBE	TUBO IN PLASTICA	TUYAU EN PLASTIQUE
21	460025 00	CLAMP	FASCETTA	COLLIER
22	794215 08	GEAR REDUCER ASSY	ASS. MOTORIDUTTORE	ENS. MOTOREDUCTEUR
23	794267 03	FREEZER ASSY	ASS. FREEZER	ENS. FREEZER
24	660553 00	GEAR MOTOR PLASTIC COVER	PROTEZIONE MOTORE	PROTECTION MOTEUR
25	650401 02	INSULATION LEFT	ISOLAMENTO SINISTRO	ISOLATION GAUCHE
26	650401 03	INSULATION RIGHT	ISOLAMENTO DESTRO	ISOLATION DROITE
27	660542 16	PLASTIC ICE SPOUT	BOCCHETTA SCARICO GHIACCIO	BEC VERSEUR
28	660509 03	SPOUT INSULATION LEFT	ISOLAMENTO BOCC. SINISTRO	ISOLATION GAUCHE BEC VERS
29	660509 02	SPOUT INSULATION RIGHT	ISOLAMENTO BOCC. DESTRO	ISOLATION DROITE BEC VERSE
30	660455 14	PLASTIC ICE CHUTE	CONDOTTO SCARICO GHIACCIO	GOULOTTE
31	724180 00	METAL ROD	TIRANTE	TIRANT
32	430083 00	WING NUT	DADO AD ALETTE	ECROU
33	420001 09	SCREW	VITE	VIS
34	441001 02	WASHER	RONDELLA	RONDELLE



MF 61 - FREEZER AND GEAR REDUCER ASSY - ASSIEME FREEZER E RIDUTTORE
 ENS. FREEZER ET MOTOREDUCTEUR - GEFRIERZYLINDER UND GETRIEBEBAUSUNG

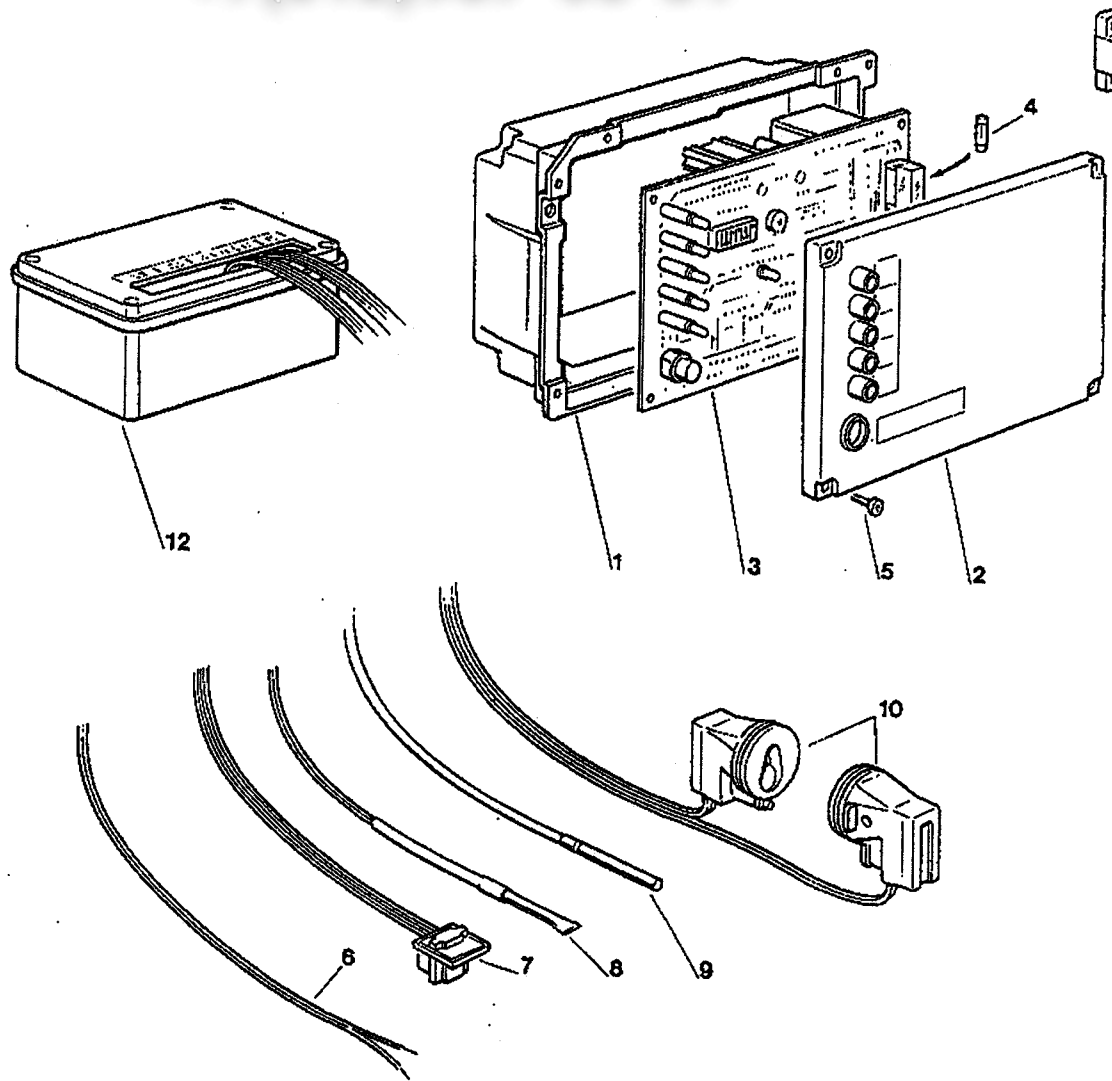
ITEM NO POS NO REP. NO REF. NO	PART NO CODICE REFERENCE STUECK NR	DESCRIPTION	DESCRIZIONE	DESIGNATION
1	A 31230 01	GEAR CASE / ASSY	ASS. SC. CARIC. INGR. INAGGI	ENS. CARTER RÉDUCTEUR
2	060294 01	GREASE (1 KG)	GRASSO (1 KG)	GRAISSE (1 KG)
3	03 1251 01	SCREW	VITE	VIS
4	A 26013 01	O RING	GUARNIZIONE OR	JOINT TORIQUE
5	060273 06	DRIVE MOTOR ASSY	MOTORE RIDUTTORE	MOTEUR DU REDUCTEUR
6	02 1606 00	GEASE SEAL	PARAOLIO	PARAHUILE
7	651053 00	BEARING	CUSCINETTO	ROULEMENT
8	460041 00	CLIP RING	ANELLO SEEGER	CIRCLIP
9	650341 00	CLAMP	FASCETTA	COLLIER
10	650340 00	FAN BLADE	VENTOLA	HELICE
11	794216 00	ROTOR ASSY	ASS. ROTORE	ENS. ROTOR
12	620295 00	STATOR ASSY	ASS. STATORE	ENS. STATOR
13	460041 00	SPRING	MOLLA	RESSORT
14	640095 01	RUBBER INSERT	INSERTO IN GOMMA	BAGUE CAOUTCHOUC
15	650339 00	DRIVE MOTOR COVER	COPERCHIO MOTORE	COUVERCLE MOTEUR
16	420332 00	SCREW	VITE	VIS
17	620292 03	CAPACITOR	CONDENSATORE	CONDENSATEUR
18	651156 00	1SR GEAR & PINION	INGRANAGGIO IN FIBRA	ENGRANAGE EN CELERON
19	03 1408 24	TRUST WASHER (9 PZ)	RONDELLA DI RASAMENTO (9 PZ)	RONDELLE (9 PCS)
20	651157 00	2ND GEAR & PINION	INGRANAGGIO INTERMEDIO	2eme ENGRANAGE ET PIGNON
21	651159 00	OUTPUT SHAFT	ALBERO DI TRASMISSIONE	ARBRE DE SORTIE
22	03 1354 00	KEY	CHIAVETTA	CLAVETTE
23	02 1631 00	TRUST WASHER	RONDELLA DI RASAMENTO	RONDELLE
24	03 1383 00	CLIP RING	ANELLO SEEGER	CIRCLIP
25	651156 00	OUTPUT GEAR	INGRANAGGIO FINALE	3eme ENGRANAGE
26	02 1690 00	ROLLER BEARING	CUSCINETTO A RULLINI	ROULEMENT
27	02 1679 00	TRUST WASHER	RONDELLA DI RASAMENTO	RONDELLE
28	02 1607 01	GREASE SEAL - FACE DOWN	PARAOLIO	PARAHUILE
29	02 2853 01	GREASE SEAL - FACE UP	PARAOLIO	PARAHUILE
30	13 0709 02	GASKET	GUARNIZIONE	JOINT
31	400078 00	SCREW	VITE	VIS
32	03 1403 77	SCREW	VITE	VIS
33	650515 01	PLASTIC HOUSING	ALLOGGIAMENTO IN PLASTICA	B'ITE DETECTEUR EFF. HAL

36	764007 00	ALUMINIUM ADAPTER	SUPPORTO DI ALLUMINIO	SUPPORTO
37	420019 00	SCREW	VITE	VITE
38	440015 04	WASHER	RONDELLA	VIS
39	784357 05	WORM TUBE ONLY	TUBO EVAPORATORE	RONDELLE
40	724198 03	AUGER	COCCLEA	CYLINDRE EVAPORATEUR
41	650402 00	WATER SEAL	ASSIEME PREMISTOPPA	VIS SANS FIN
42	640093 00	O RING	GUARNIZIONE OR	GARNITURE D'ETANCHEMENT
43	754008 01	BEARING RETAINER	SUPPORTO CUSCINETTO	JOINT TORIQUE
44	651059 00	LO BEARING	CUSCINETTO INFERIORE	LOGEMENT PALIER
45	751005 01	ICE BREAKER ONLY	ROMPIGHIACCIO	PALIER INFERIEUR
46	19 0569 01	WATER PROOF GREASE (4 OZ)	GRASSO IDROREPELL. (110 GR)	BROYEUR
47	640093 02	O RING	GUARNIZIONE OR	GRAISSE (110 GR)
48	640093 03	O RING	GUARNIZIONE OR	JOINT TORIQUE
49	651058 00	TOP BEARING	CUSCINETTO SUPERIORE	JOINT TORIQUE
50	423915 00	SCREW	VITE	PALIER SUPERIEUR
51	660507 00	PLASTIC CUP	CALOTTA IN PLASTICA	VIS
52	420019 00	SCREW	VITE	CALOTTE
53	440015 04	WASHER	RONDELLA	VIS
54	650515 04	MAGNETO HOLDER	SUPPORTO MAGNETE	RONDELLE
55	650515 05	MAGNETIC CYLINDER	CILINDRETTO MAGNETICO	SUPPORT DU MAGNETO
56	650515 06	NON MAGNETIC CYLINDER	CILINDRETTO NON MAGNETICO	CYLINDRE MAGNETIQUE
				CYLINDRE NON MAGNETIQUE

Зип-Общепит

vsezip.ru

+7(812)987-08-81



MF 61 P.C. BOARD AND SENSOR ASSY - SCHEDA ELETTRONICA E SENSORI
 ENS. CARTE ELECTRONIQUE ET DETECTEURS - ELEKTRONISCHE KARTE UND TEMPERATURSENSOREN

ITEM NO POS NO REP. NO REF. NO	PART NO CODICE REFERENCE STUECK NR	DESCRIPTION	DESCRIZIONE	DESIGNATION
1	660546 00	CONTROL BOX	SCATOLA ELETTRICA	BOITE ELECTRIQUE
2	660547 00	CONTROL BOX COVER	COPERCHIO SCATOLA ELETTRICA	COUVERCLE BOITE DE COMM
3	620403 03	P.C. BOARD ASSY	ASSIEME SCHEDA ELETTRONICA	ENSAMBLE CARTE ELECTRON
4	E30015 09 E30015 10	FUSE (100 mA) FUSE (16 A)	FUSIBILE (100 mA) FUSIBILE (16 A)	FUSIBLE (100 mA) FUSIBLE (16 A)
5	470000 07	SCREW	VITE	VIS
6	620404 04	WATER LEVEL SENSOR	SENSORE LIVELLO ACQUA	CAPTEUR NIVEAU EAU
7	620404 03	HALL EFFECT SENSOR	SENSORE EFFETTO HALL	CAPTEUR EFFECT HALL
8	620404 01	CONDENSER TEMP. SENSOR	SENSORE TEMP. CONDENSATORE	CAPTEUR TEMP. CONDENSEUR
9	620404 10	EVAPORATOR TEMP. SENSOR	SENSORE TEMP. EVAPORATORE	CAPTEUR TEMP. EVAPORATEUR
10	785086 00	ICE LEVEL CONTROL ASSY	ASS. CONTR. LIVELLO GHIACCIO	ENS. DETECTEUR NIVEAU GLA
11	630124 05	CONTACTOR	TELERUTTORE	CONTACTEUR
12	620404 09	INTERFACE P C BOARD	SCHEDA ELETTR. DI INTERFACCIA	CARTE ELECTR. D'INTERFACE
	620404 07 620404 11	EXTENSION CABLE (4 WIRES) EXTENSION CABLE (2 WIRES)	CAVO DI PROLUNGA (4 FILI) CAVO DI PROLUNGA (2 FILI)	CABLE DE RALLONGE (4 FILS) CABLE DE RALLONGE (2 FILS)

Зип Общепит

vsezip.ru

+7(812)987-08-81

MF 61 - COMPRESSOR CHART - TABELLA COMPRESSORI TABLEAU COMPRESSEUR - KOMPRESSOR KARTE			
MODEL MODELLO MODELE MODELL	VOLTS TENSIONE TENSION SPANNUNG	COMPRESSOR MODEL MODELLO COMPRESSORE TYPE COMPRESSEUR KOMPRESSOR TYP	COM COM COM KOM
MF 61	230/50-60/3	U.H. TAG 4561 T	67
MF 61	380/50/3	U.H. TAG 4561 T	67