

MF 41-51

Зип-Общепит

vsezip.ru

+7(812)987-08-81

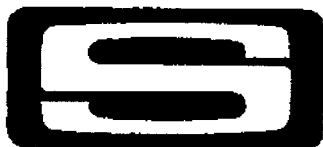
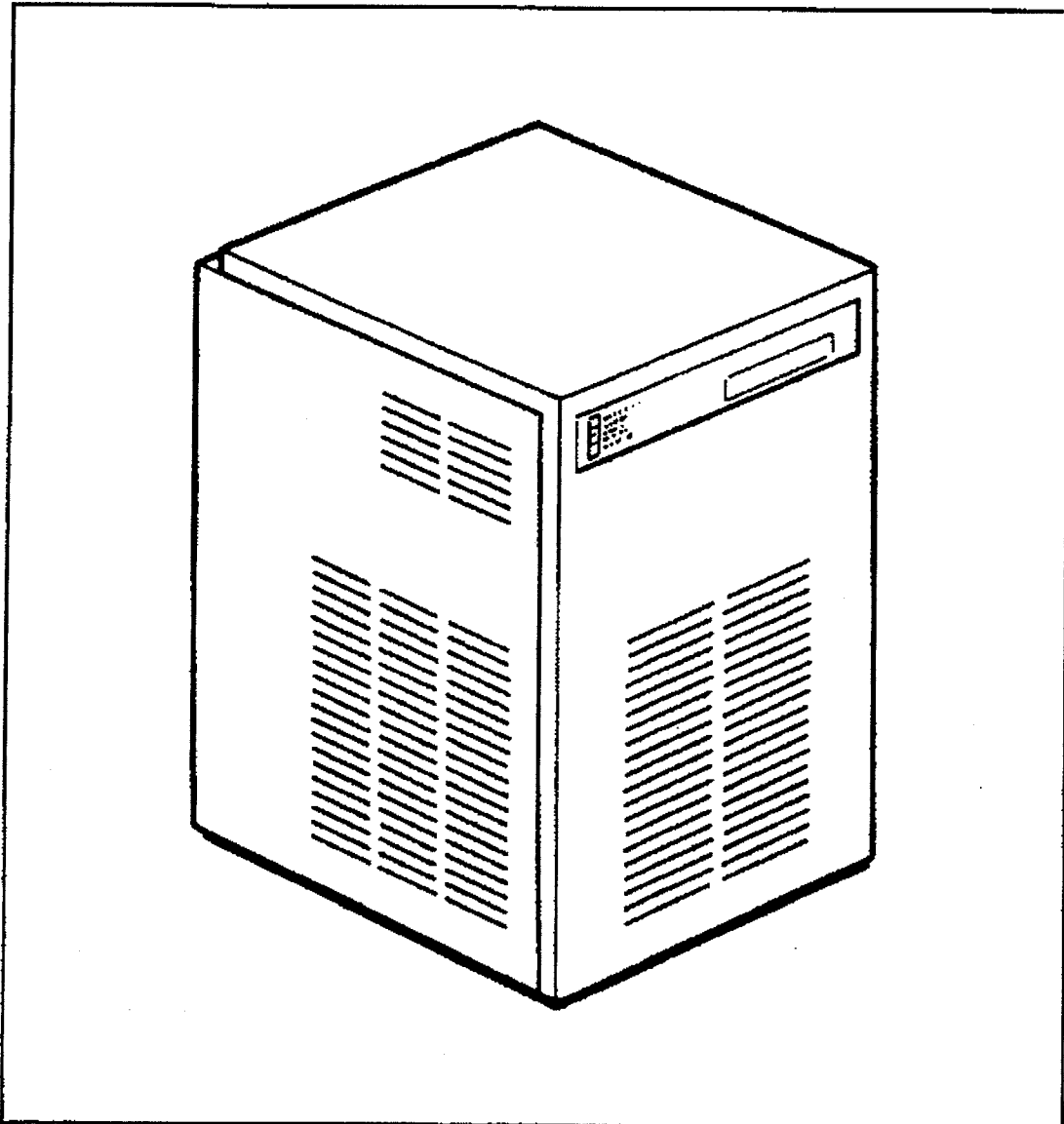
Electronic modular flaker

Spare parts list

Catalogo ricambi

Catalogues pièces détachées

Ersatzteilkatalog



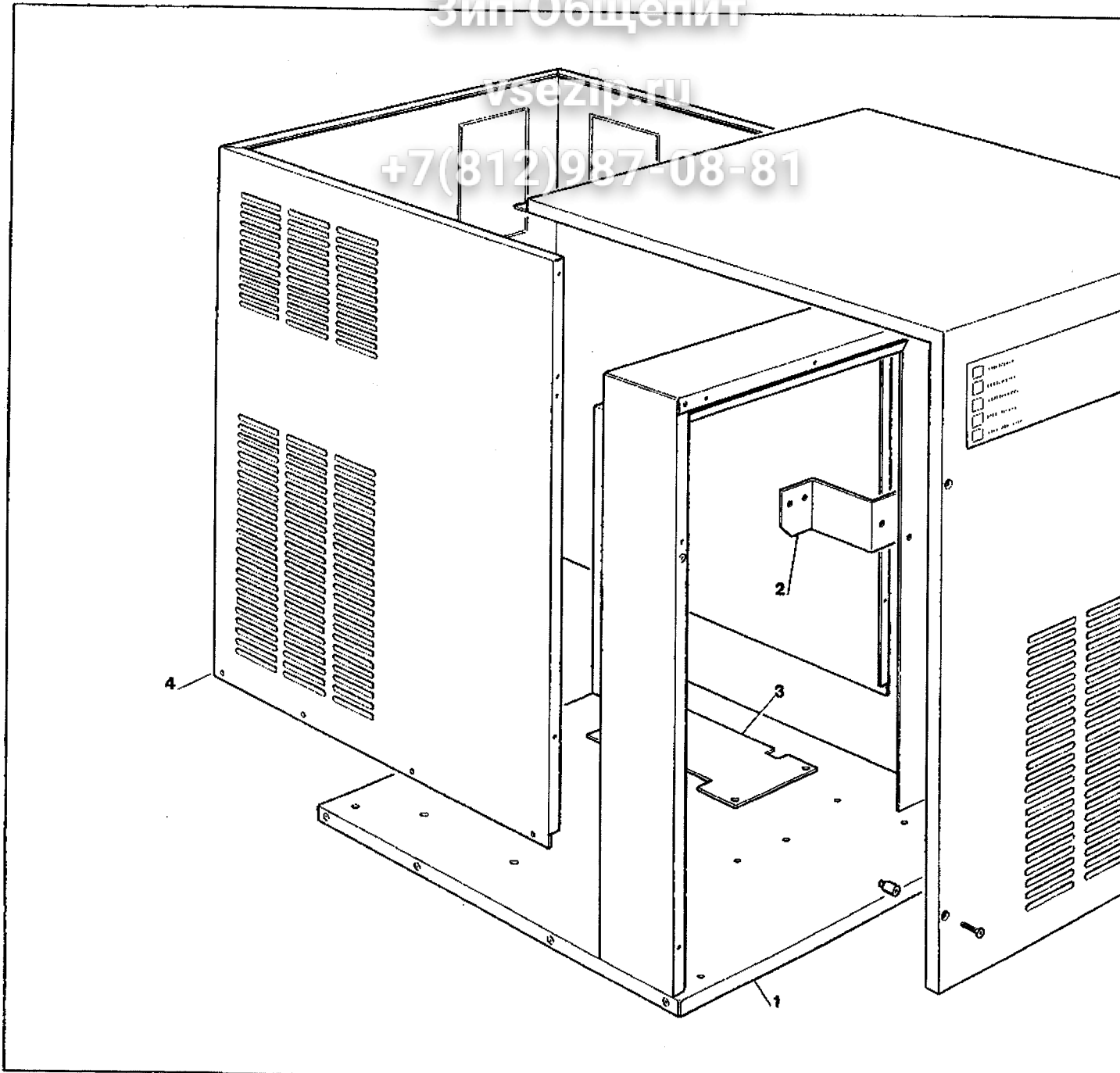
SCOTSMAN®

ICE SYSTEMS

Зип Ощепит

vsezip.ru

+7(812)987-08-81



Зип-Общепит

vsezip.ru

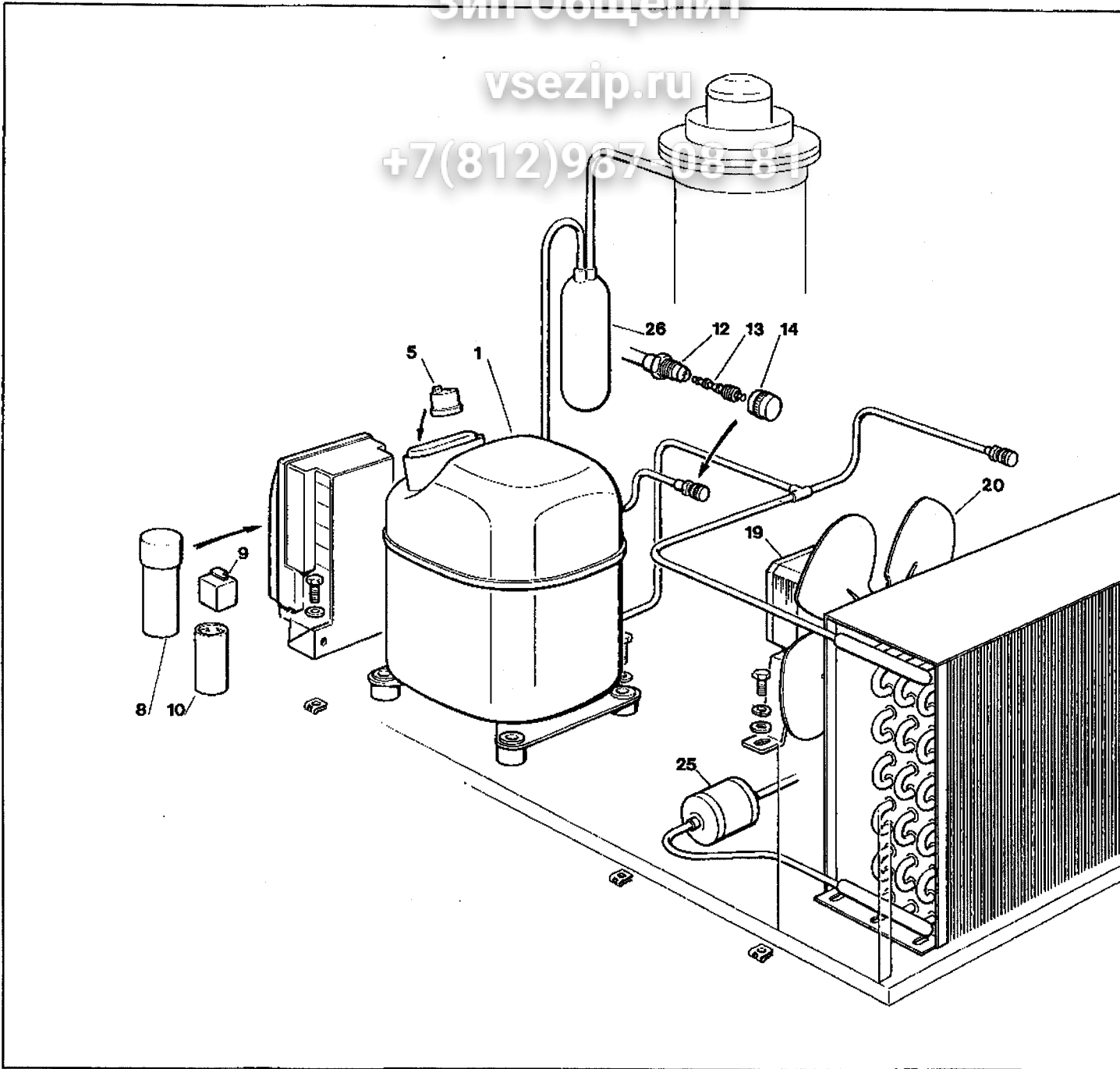
MF 41 - MF 51 - UNIT PANELS - ASSIEME MOBILE - ENS. CARROSSERIE - MACHIN

ITEM NO POS NO REP. NO REF. NO	PART NO - CODICE REFERENCE - STUECK NR		DESCRIPTION	DESCRIZIONE	DESIGNATION
	MF 41	MF 51			
1	781398 00	781398 00	FRAME ASSY S.S.	ASSIEME TELAIO ACCIAIO INOX	ENSAMBLE CHASSIS ACIER INOX
2	703221 00	703221 00	WATER RESERVOIR BRACKET	SUPPORTO VASCH. GALLEGGIANTE	SUPPORT FLOTTEUR
3	704231 01	704231 01	GEAR MOTOR BASE	SUPPORTO MOTORIDUTTORE	SUPPORT MOTOREDUCTEUR
4	702133 01	702132 01	SIDES/REAR PANEL S.S.	PANNELLO LATER./POSTER. ACC. INOX	PANNEAU COTE/ARRIERE ACC. INOX
5	702136 05	702136 07	FRONT/TOP PANEL S.S.	PANNELLO FRONT./SUPER. ACCIAIO INOX	PANNEAU AVANT/SUP. ACIER INOX
6	650639 01	650639 02	LABEL	ADESIVO SEGNALETICO	ETIQUETTE

Зип-Общепит

vsezip.ru

+7(812)987-08-81



3ип Общепит
vsezip.ru
(812)987-0881

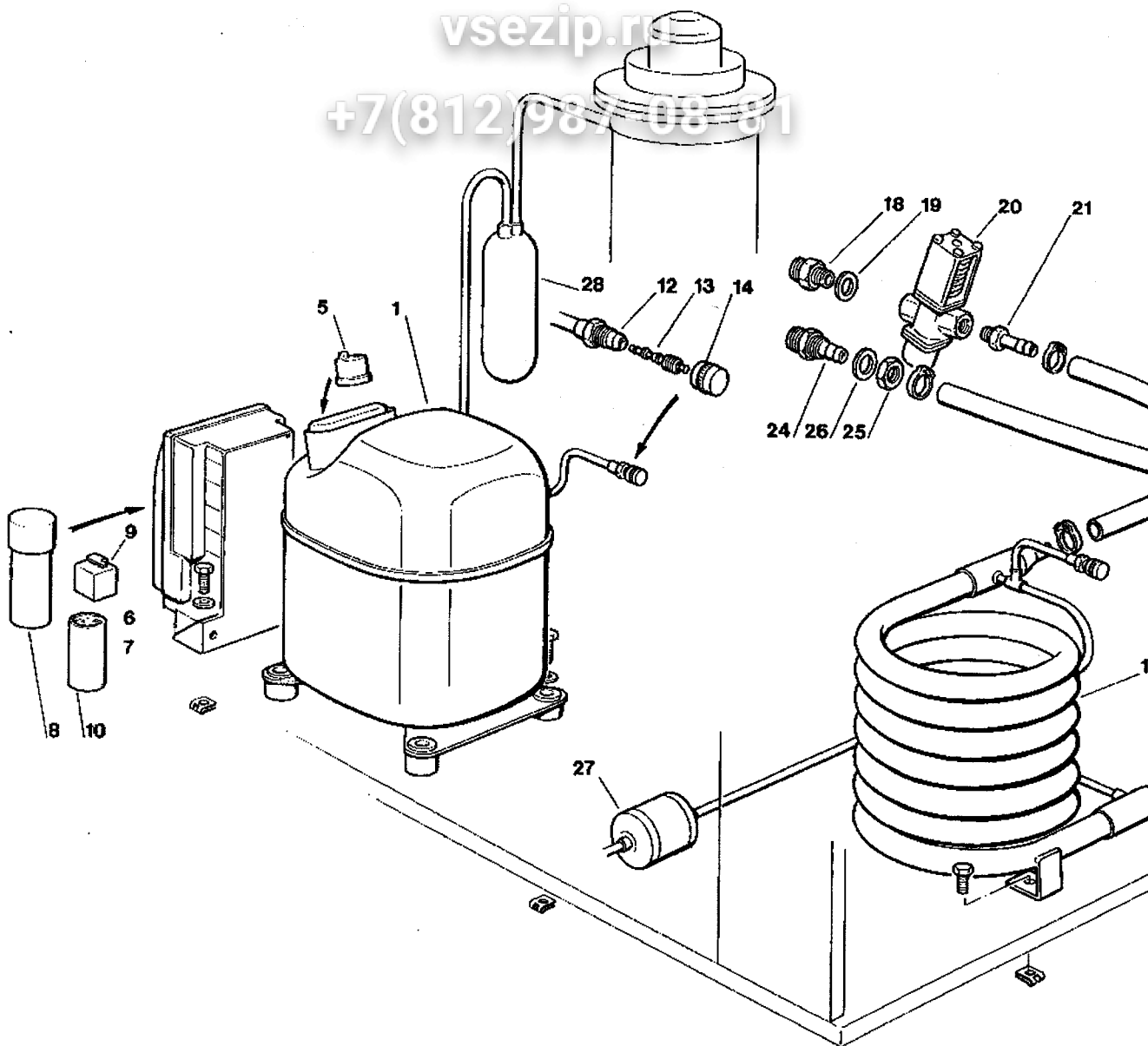
**MF 41 - MF 51 - REFRIGERANT SYSTEM AIR COOLED - SISTEMA REFRIGERANTE P
CIRCUIT FRIGORIFIQUE REFROID. PAR AIR - LUFTGEKÜHLT GEFRIERSYST**

ITEM NO POS NO REP. NO REF. NO	PART NO - CODICE REFERENCE - STUECK NR		DESCRIPTION	DESCRIZIONE	DESIGNATION
	MF 41	MF 51			
1	670076 10 *****	670076 16 670076 18	COMPRESSOR ASSY 220 V COMPRESSOR ASSY 380 V	ASSIEME COMPRESSORE 220 V ASSIEME COMPRESSORE 380 V	ENSAMBLE COMPRESSEUR ENSAMBLE COMPRESSEUR
5	620058 44 *****	620058 56 620058 58	PROTECTOR 220 V PROTECTOR 380 V	PROTETTORE 220 V PROTETTORE 380 V	PROTECTEUR 220 V PROTECTEUR 380 V
8	620167 21	620167 16	RUN CAPACITOR 220 V	CAPACITA DI MARCIA 220 V	CAPACITÉ PERMANENCE 220
9	620168 11	620168 11	START RELAY 220 V	RELE DI AVVIAMENTO 220 V	RELAIS DE DEMARRAGE 220
10	620167 22	620167 22	START CAPACITOR 220 V	CAPACITA D'AVVIAMENTO 220 V	CAPACITÉ DE DEMARRAGE 2
12	650109 00	650109 00	VALVE BODY	CORPO VALVOLA	CORPS DE VANNE
13	670012 00	670012 00	VALVE PISTON	PISTONCINO VALVOLA	PISTON
14	650106 00	650106 00	VALVE CAP	CAPPuccio VALVOLA	CAPUCHON DE VANNE
15	620379 00	620349 03	AIR COOLED CONDENSER	CONDENSATORE AD ARIA	CONDENSEUR A AIR
19	620419 04	620419 06	FAN MOTOR	MOTORE VENTILATORE	MOTEUR VENTILATEUR
20	620419 34	620419 36	FAN BLADE	VENTOLA	HELICE
25	670006 01	670006 01	DRIER	FILTRO DEUMIDIFICATORE	FILTRE DESHYDRATEUR
26	784406 03	784406 01	SUCTION LINE/ACCUMULATOR	ACCUMUL. E LINEA ASPIRAZIONE	ENS. ASPIRATION/ACCUMULA

Зип Ощепит

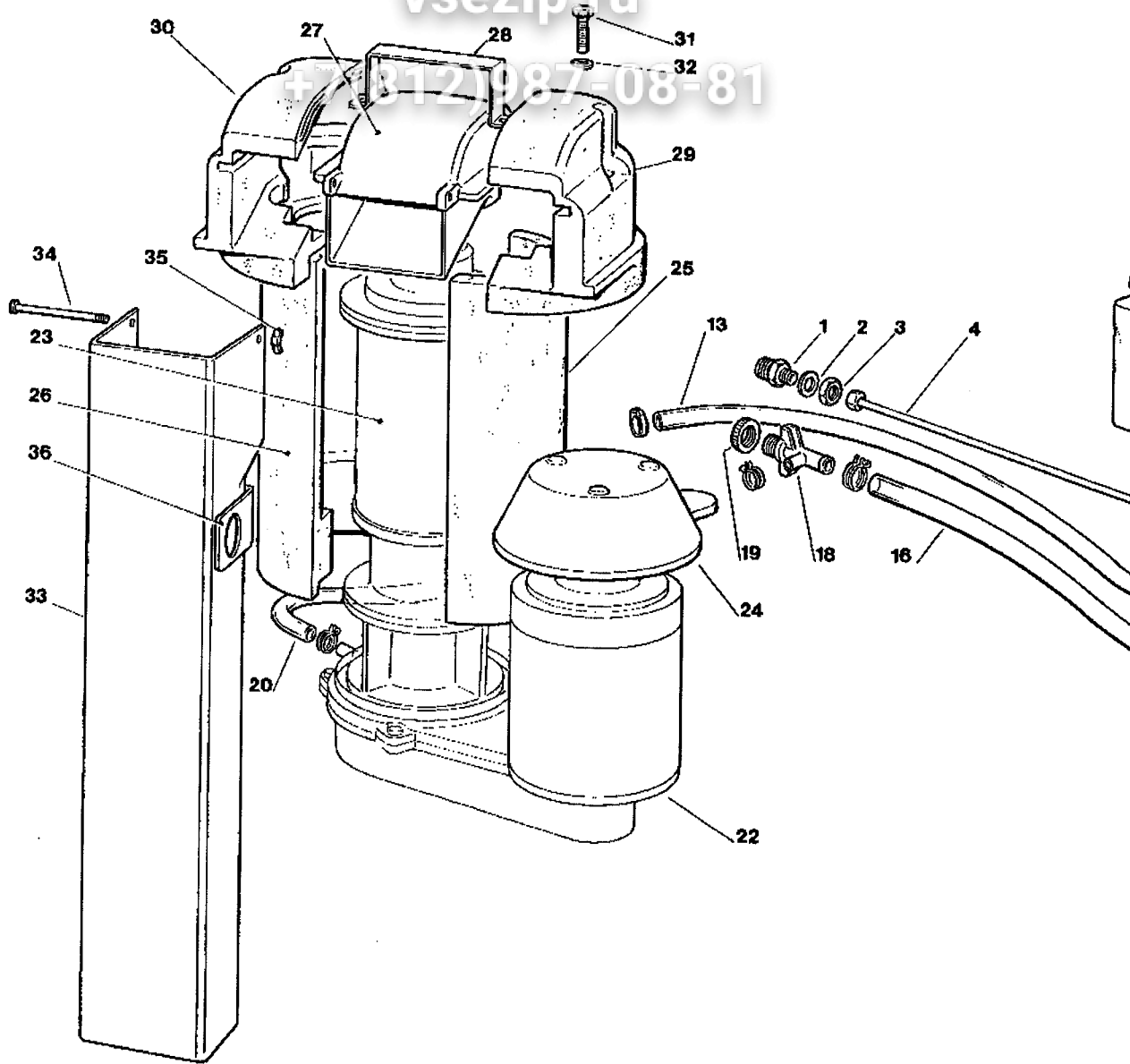
vsezip.ru

+7(812)987 08 81



**MF 41 - MF 51 - REFRIGERANT SYSTEM WATER COOLED - SISTEMA REFRIGERANTE
CIRCUIT FRIGORIFIQUE REFROID. PAR EAU - WASSERGEKÜHLT GEFRIERSY**

ITEM NO POS NO REP. NO REF. NO	PART NO - CODICE REFERENCE - STUECK NR		DESCRIPTION	DESCRIZIONE	DESIGNATION
	MF 41	MF 51			
1	670076 10 *****	670076 16 670076 18	COMPRESSOR ASSEMBLY 220 V COMPRESSOR ASSEMBLY 380 V	ASSIEME COMPRESSORE 220 V ASSIEME COMPRESSORE 380 V	ENSAMBLE COMPRESSEUR ENSAMBLE COMPRESSEUR
5	620058 44 *****	620058 56 620058 58	PROTECTOR 220 V PROTECTOR 380 V	PROTETTORE 220 V PROTETTORE 380 V	PROTECTEUR 220 V PROTECTEUR 380 V
8	620167 21	620167 16	RUN CAPACITOR 220 V	CAPACITA DI MARCIA 220 V	CAPACITÉ PERMANENCE 220 V
9	620168 11	620168 11	START RELAY 220 V	RELE DI AVVIAMENTO 220 V	RELAIS DE DEMARRAGE 220 V
10	620167 22	620167 22	START CAPACITOR 220 V	CAPACITA D'AVVIAMENTO 220 V	CAPACITÉ DE DEMARRAGE 220 V
12	650109 00	650109 00	VALVE BODY	CORPO VALVOLA	CORPS DE VANNE
13	670012 00	670012 00	VALVE PISTON	PISTONCINO VALVOLA	PISTON
14	650106 00	650106 00	VALVE CAP	CAPPUCCIO VALVOLA	CAPUCHON DE VANNE
15	620331 00	620331 01	WATER COOLED CONDENSER	CONDENSATORE AD ACQUA	CONDENSEUR A EAU
18	733204 00	733204 00	WATER INLET FITTING	RACCORDO INGRESSO ACQUA	RACCORD ARRIVÉE D'EAU
19	400031 01	400031 01	FIBER WASHER	RONDELLA IN FIBRA	RONDELLE EN FIBRE
20	620111 00	620111 00	WATER REGULATING VALVE	VALVOLA PRESSOSTATICA	VANNE A EAU PRESSOSTAT
21	733173 00	733173 00	OUTLET VALVE FITTING	RACCORDO USCITA VALVOLA PRESS	RACCORD SORTIE VALVE PRESS
22	281900 03	281900 03	PLASTIC TUBE-PER METER	TUBO IN PLASTICA-PER METRO	TUYAU EN PLASTIQUE-POUR
24	733174 00	733174 00	WATER DRAIN FITTING	RACCORDO SCARICO ACQUA	RACCORD ÉVACUATION EAU
25	400076 00	400076 00	NUT	DADO	ECROU
26	400031 00	400031 00	FIBER WASHER	RONDELLA IN FIBRA	RONDELLE EN FIBRE
27	670006 01	670006 01	DRIER	FILTRO DEUMIDIFICATORE	FILTRE DESHYDRATEUR
28	784406 03	784406 01	SUCTION LINE/ACCUMULATOR	ACCUMUL. E LINEA ASPIRAZIONE	ENS. ASPIRATION/ACCUMUL



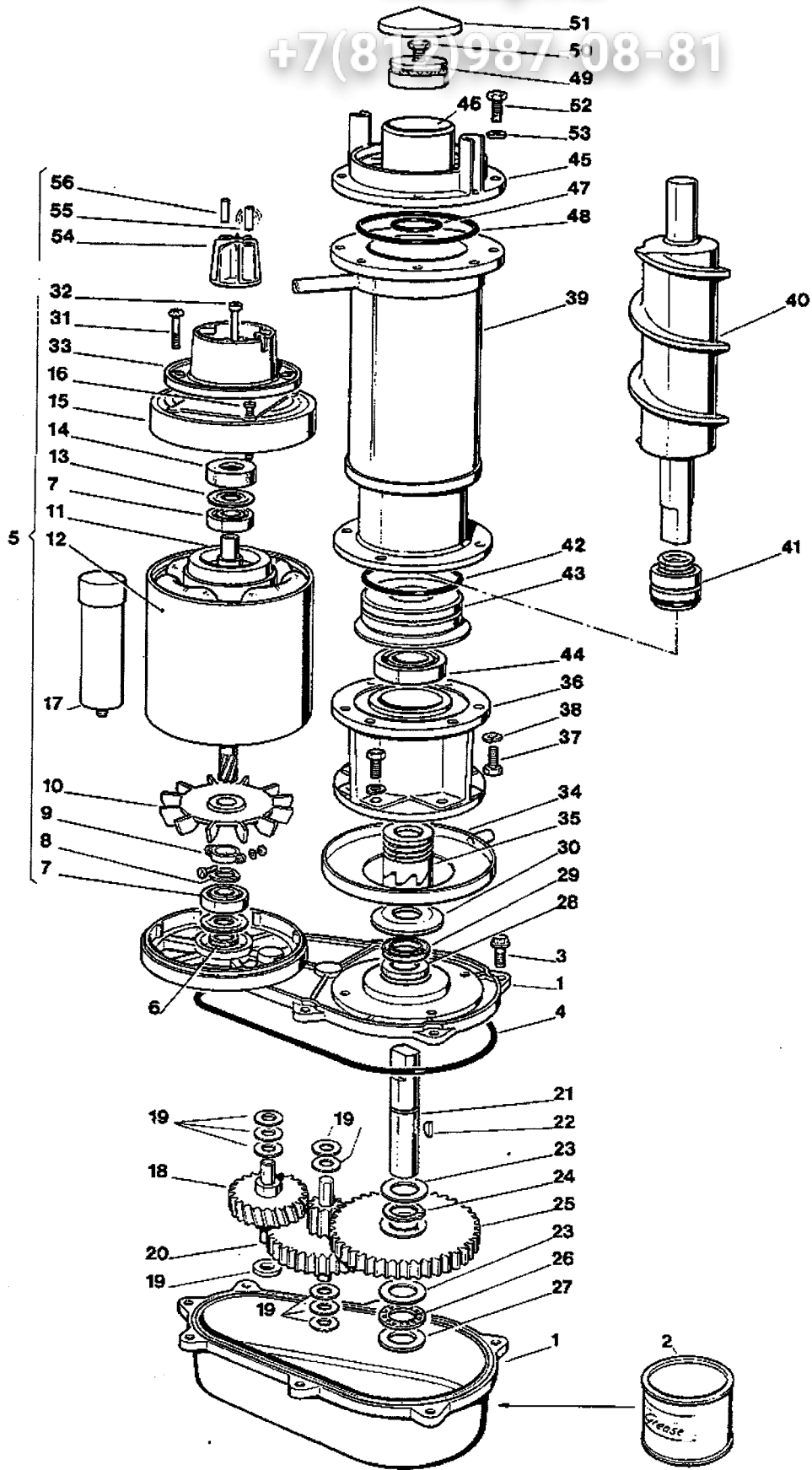
**MF 41 - MF 51 - WATER SYSTEM AND INSULATIONS - CIRCUITO IDRAULICO ED
CIRCUIT HYDRAULIQUE ET ISOLATIONS - WASSERKREISLAUF UND ISOLIERUN**

ITEM NO POS NO REF. NO	PART NO - CODICE REFERENCE - STUECK NR		DESCRIPTION	DESCRIZIONE	DESIGNATION
	MF 41	MF 51			
1	733205 00	733205 00	WATER INLET FITTING	RACCORDO INGRESSO ACQUA	RACCORD ARRIVEE D'EAU
2	400031 00	400031 00	FIBER WASHER	RONDELLA IN FIBRA	RONDELLE EN FIBRE
3	400030 01	400030 01	NUT	DADO	ECROU
4	NO NUMBER	NO NUMBER	COPPER TUBE	TUBO DI RAME	TUYAU EN CUIVRE
5	430031 00	430031 00	NUT	DADO	ECROU
6	660363 00	660363 00	WATER RESERVOIR COVER	COPERCHIO VACHETTA	COUVERCLE
7	724215 08	724215 08	WATER LEVEL METAL PIN	PERNO SENSORE LIVELLO ACQUA	DETECTEUR NIVEAU EAU
8	783153 00	783153 00	NOZZLE	UGELLO	GICLEUR
9	783127 00	783127 00	FLOAT VALVE ASSY	ASS. GALLEGGIANTE	ENS. VANNE A FLOTTEUR
10	460038 02	460038 02	CLIP RING	ANELLO SEEGER	CIRCLIP
11	640100 00	640100 00	O RING	GUARNIZIONE OR	JOINT TORIQUE
12	793126 00	793126 00	WATER RESERVOIR ASSY	ASS. VASCHETTA GALLEGGIANTE	ENS. RÉSERVOIR
13	281222 00	281222 00	PLASTIC TUBE - PER MTR	TUBO IN PLASTICA - PER METRO	TUYAU EN PLASTIQUE - POUR
16	281832 00	281832 00	PLASTIC TUBE - PER MTR	TUBO IN PLASTICA - PER METRO	TUYAU EN PLASTIQUE - POUR
18	680224 00	680224 00	WATER DRAIN FITTING	RACCORDO SCARICO ACQUA	RACCORD EVACUATION EAU
19	660535 00	660535 00	PLASTIC RING NUT	GHIERA IN PLASTICA	COLLIER DE SERRAGE EN PLA
20	610163 02	610163 02	PLASTIC TUBE	TUBO IN PLASTICA	TUYAU EN PLASTIQUE
22	794215 08	794215 08	GEAR REDUCER ASSY	ASS. MOTORIDUTTORE	ENS. MOTOREDUCTEUR
23	794267 00	794267 01	FREEZER ASSY	ASS. FREEZER	ENS. FREEZER
24	660553 00	660553 00	GEAR MOTOR PLASTIC COVER	PROTEZIONE MOTORE	PROTECTION MOTEUR
25	650401 00	650401 02	INSULATION LEFT	ISOLAMENTO SINISTRO	ISOLATION GAUCHE
26	650401 01	650401 03	INSULATION RIGHT	ISOLAMENTO DESTRO	ISOLATION DROITE
27	660574 00	660574 00	PLASTIC ICE SPOUT	BOCCHETTA SCARICO GHIACCIO	BEC VERSEUR
28	725035 01	725035 01	U BOLT	STAFFA	ETRIER
29	660575 00	660575 00	SPOUT INSULATION RIGHT	ISOLAMENTO BOCC. DESTRO	ISOLATION DROITE BEC VERS
30	660575 01	660575 01	SPOUT INSULATION LEFT	ISOLAMENTO BOCC. SINISTRO	ISOLATION GAUCHE BEC VERS
31	420001 09	420001 09	SCREW	VITE	VIS
32	441001 02	441001 02	WASHER	RONDELLA	RONDELLE
33	660573 00	660573 01	PLASTIC ICE CHUTE	CONDOTTO SCARICO GHIACCIO	GOULOTTE
34	724180 02	724180 02	METAL ROD	TIRANTE	TIRANT
35	430083 00	430083 00	WING NUT	DADO AD ALETTE	ECROU
36	725034 01	725034 01	BRACKET	SUPPORTO	SUPPORT

Зип Общепит

vsezip.ru

+7(812)987-08-81



Zip Общепит

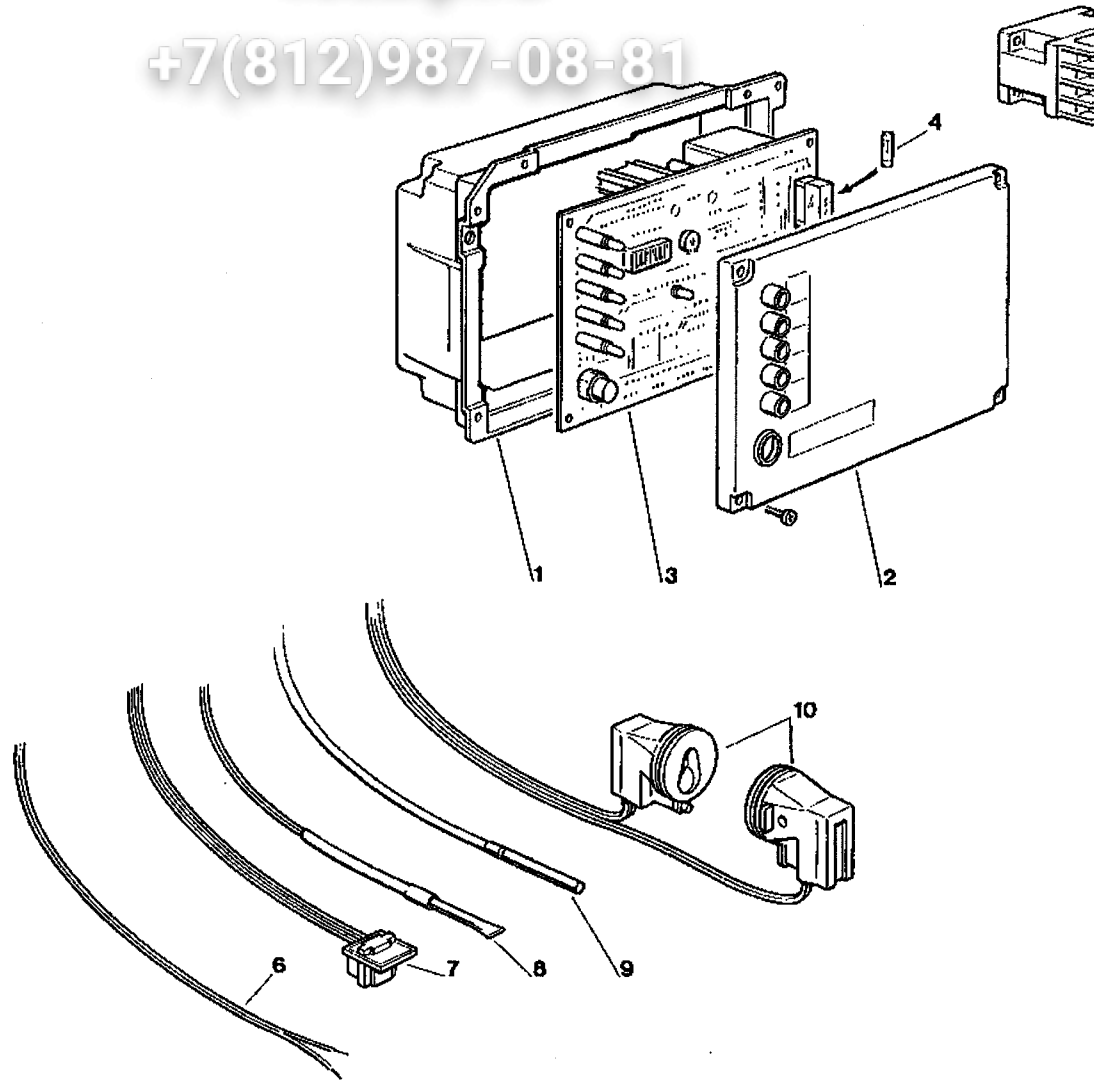
MF 41 - MF 51 - FREEZER AND GEAR REDUCER ASSY - ASSIEME FREEZER E RIDUTTORE
ENS. FREEZER ET MOTOREDUCTEUR - CEEFRIERZYLINDER UND GETRIEBEEINHEIT

ITEM NO POS NO REP. NO REF. NO	PART NO - CODICE REFERENCE - STUECK NR		DESCRIPTION	DESCRIZIONE	DESIGNATION	BESCHREIBUNG
	MF 41	MF 51				
1	A 31230 01	A 31230 01	GEAR CASE ASSY	ASS. REDUTTORE IN FIBRA	ENS. REDUCTEUR	GETRIEBEGEHAUSE CPL
2	060294 01	060294 01	GREASE (1 KG)	GRASSO (1 KG)	GRASSE (1 KG)	FETT (1 KG)
3	429850 00	429850 00	SCREW	VITE	VIS	SCHRAUBE
4	A 26103 01	A 26103 01	O RING	GUARNIZIONE OR	JOINT TORIQUE	O RING
5	060273 05	060273 06	DRIVE MOTOR ASSY	MOTORE RIDUTTORE	MOTEUR DU REDUCTEUR	MOTOREINHEIT
6	02 1606 00	02 1606 00	GEASE SEAL	PARAOLIO	PARAHULE	SCHMIERDICHTUNG
7	651053 00	651053 00	BEARING	CUSCINETTO	ROULEMENT	LAGER
8	460041 00	460041 00	CLIP RING	ANELLO SEEGER	CIRCLIP	RING
9	650341 00	650341 00	CLAMP	FASCETTA	COLLIER	KLEMME
10	650340 00	650340 00	FAN BLADE	VENTOLA	HELICE	FLÜGELRAD
11	794216 00	794216 00	ROTOR ASSY	ASS. ROTORE	ENS. ROTOR	ROTOR EINHEIT
12	620295 00	620295 00	STATOR ASSY	ASS. STATORE	ENS. STATOR	STATOREINHEIT
13	460041 00	460041 00	SPRING	MOLLA	RESSORT	FEDER
14	640095 01	640095 01	RUBBER INSERT	INSERTO IN GOMMA	BAGUE CAOUTCHOUC	GUMMI LAGER GEHAUSE
15	650339 00	650339 00	DRIVE MOTOR COVER	COPERCHIO MOTORE	COUVERCLE MOTEUR	MOTOR DEKEL
16	420332 00	420332 00	SCREW	VITE	VIS	SCHRAUBE
17	620292 03	620292 03	CAPACITOR	CONDENSATORE	CONDENSATEUR	KONDENSATOR
18	651156 00	651156 00	1SR GEAR & PINION	INGRANAGGIO IN FIBRA	ENGRANAGE EN CELERON	1 GETRIEBERAND & RITZEL
19	03 1408 24	03 1408 24	TRUST WASHER (9 P.O.D)	RONDELLA DI RASAMENTO (9 PZ)	RONDELLE (9 PCS)	UNTERLEG SCHEIBE (9 STK.)
20	651157 00	651157 00	2ND GEAR & PINION	INGRANAGGIO INTERMEDIO	2eme ENGRANAGE ET PIGNON	2 GETRIEBERAND & RITZEL
21	651159 00	651159 00	OUTPUT SHAFT	ALBERO DI TRASMISSIONE	ARBRE DE SORTIE	AUSGANGSSHAFT
22	03 1364 00	03 1364 00	KEY	CHIAVETTA	CLAVETTE	KEIL
23	02 1661 00	02 1661 00	TRUST WASHER	RONDELLA DI RASAMENTO	RONDELLE	SCHEIBE
24	03 1363 00	03 1363 00	CLIP RING	ANELLO SEEGER	CIRCLIP	RING
25	651158 00	651158 00	OUTPUT GEAR	INGRANAGGIO FINALE	3eme ENGRANAGE	GETRIEBERAND
26	02 1660 00	02 1660 00	ROLLER BEARING	CUSCINETTO A RULLINI	ROULEMENT	OBERLAGE
27	02 1679 00	02 1679 00	TRUST WASHER	RONDELLA DI RASAMENTO	RONDELLE	SCHEIBE
28	02 1607 01	02 1607 01	GREASE SEAL - FACE DOWN	PARAOLIO	PARAHULE	SCHMIERDICHTUNG
29	02 2853 01	02 2853 01	GREASE SEAL - FACE UP	PARAOLIO	PARAHULE	SCHMIERDICHTUNG
30	13 0709 02	13 0709 02	GASKET	GUARNIZIONE	JOINT	DICHTUNG
31	400078 00	400078 00	SCREW	VITE	VIS	SCHAUBE
32	03 1403 77	03 1403 77	SCREW	VITE	VIS	SCHALBE
33	650515 01	650515 01	PLASTIC HOUSING	ALLOGGIAMENTO IN PLASTICA	BGITE DETECTEUR EFF. HALL	KUNSTSTOFFGEHAUSE
34	784126 00	784126 00	DRIP TRAY	RACCOGLIGOCCE	GOUPILLE EAU	TROFFPFANNE
35	060359 01	060359 01	COUPLING	GIUNTO	BAGUE D'ACCOUPLMENT CPL	KUPPLUNG
36	764007 00	764007 00	ALUMINIUM ADAPTER	SUPPORTO DI ALLUMINIO	SUPPORT	PASSTUECK
37	420019 00	420019 00	SCREW	VITE	VIS	SCHRAUBE
38	440015 04	440015 04	WASHER	RONDELLA	RONDELLE	SCHEIBE
39	784358 00	784357 00	WORM TUBE ONLY	TUBO EVAPORATORE	CYLINDRE EVAPORATEUR	GEFRIERZYLINDER
40	784196 02	784196 03	AUGER	COCLEA	VIS SANS FIN	SCHNECKE
41	650402 00	650402 00	WATER SEAL	ASSIEME PREMISTOPPA	GARNITURE D'ETANCHEITE	WASSERDICHTUNGSEINHEIT
42	640093 00	640093 00	O RING	GUARNIZIONE OR	JOINT TORIQUE	O RING
43	754006 01	754006 01	BEARING RETAINER	SUPPORTO CUSCINETTO	LOGEMENT PALIER	UNTERESLAGERGEHAUSE
44	651059 00	651059 00	LO BEARING	CUSCINETTO INFERIORE	PALIER INFERIEUR	UNTERESLAGER
45	751005 01	751005 01	ICE BREAKER ONLY	POMPIGHIACCIO	BROYEUR	EISBRECHER
46	19 0569 01	19 0569 01	WATER PROOF GREASE (4 OZ)	GRASSO IDROREPELL. (110 GR)	GRASSE (110 GR)	FETT (110 GR)
47	640093 02	640093 02	O RING	GUARNIZIONE OR	JOINT TORIQUE	O RING
48	640093 03	640093 03	O RING	GUARNIZIONE OR	JOINT TORIQUE	O RING
49	651058 00	651058 00	TOP BEARING	CUSCINETTO SUPERIORE	PALIER SUPERIEUR	OBERESLAGER
50	423915 00	423915 00	SCREW	VITE	VIS	SCHAUBE
51	660507 00	660507 00	PLASTIC CUP	CALOTTA IN PLASTICA	CALOTTE	KUGELHAUBE
52	420019 00	420019 00	SCREW	VITE	VIS	SCHAUBE
53	440015 04	440015 04	WASHER	RONDELLA	RONDELLE	SCHEIBE
54	650515 04	650515 04	MAGNETO HOLDER	SUPPORTO MAGNETE	SUPPORT DU MAGNETO	MAGNETHALTER
55	650515 05	650515 05	MAGNETIC CYLINDER	CILINDRETTO MAGNETICO	CYLINDRE MAGNETIQUE	MAGNETZYLINDER
56	650515 06	650515 06	NON MAGNETIC CYLINDER	CILINDRETTO NON MAGNETICO	CYLINDRE NON MAGNETIQUE	NICHT MAGNETISCHES ZYLINDER

Зип Общепит

vsezip.ru

+7(812)987-08-81



MF 41 - MF 51 - P.C. BOARD AND SENSOR ASSY - SCHEDA ELETTRONICA E SENS. ENS. CARTE ELECTRIQUE ET DETECTEURS - ELEKTRONISCHE KARTE UND TEMPERATUR				
ITEM NO POS NO REP. NO REF. NO	PART NO CODICE REFERENCE STUECK NR	DESCRIPTION	DESCRIZIONE	DESIGNATION
1	660546 00	CONTROL BOX	SCATOLA ELETTRICA	BOITE ELECTRIQUE
2	660547 00	CONTROL BOX COVER	COPERCHIO SCATOLA ELETTRICA	COUVERCLE BOITE DE COMMANDE
3	620403 03	P.C. BOARD ASSY	ASSIEME SCHEDA ELETTRONICA	ENSAMBLE CARTE ELECTRONIQUE
4	630015 09 630015 10	FUSE (100 mA) FUSE (16 A)	FUSIBILE (100 mA) FUSIBILE (16 A)	FUSIBLE (100 mA) FUSIBLE (16 A)
6	620404 04	WATER LEVEL SENSOR	SENSORE LIVELLO ACQUA	CAPTEUR NIVEAU EAU
7	620404 03	HALL EFFECT SENSOR	SENSORE EFFETTO HALL	CAPTEUR EFFECT HALL
8	620404 01	CONDENSER TEMP. SENSOR	SENSORE TEMP. CONDENSATORE	CAPTEUR TEMP. CONDENSEUR
9	620404 10	EVAPORATOR TEMP. SENSOR	SENSORE TEMP. EVAPORATORE	CAPTEUR TEMP. EVAPORATEUR
10	785086 02	ICE LEVEL CONTROL ASSY	ASS. CONTR. LIVELLO GHIACCIO	ENS. DETECTEUR NIVEAU GLACE
11	630119 00 630124 05	CONTACTOR MF 41 CONTACTOR MF 51	TELERUTTORE MF 41 TELERUTTORE MF 51	CONTACTEUR MF 41 CONTACTEUR MF 51

Зип Общепит

COMPRESSOR CHART - TABELLA COMPRESSORI - TABLEAU COMPRESSEUR - KOMPRESSOR

vsezip.ru

MODEL MODELLO MODELE MODELL	VOLTS TENSIONE TENSION SPANNUNG	COMPRESSOR MODEL MOD. COMPRESSORE TYPE COMPRESSEUR KOMPRESSORTYP	COMPRESSOR COMPRESSORE COMPRESSEUR KOMPRESSOR	RELAY RELÉ RELIS RELIS	PROTECTOR PROTETTORE PROTECTEUR SCHUTZGERAT	START CAPACITOR CAPACITA' D'AVV. CAPACITÉ DE DEMARRAGE START KONDENSATOR
MF 41 MF 51	115/60/1 115/60/1	U.H. AJ 5512 E	670076 15	620168 14	620058 53	620167 22
MF 41 MF 51	230/60/1 230/60/1	U.H. AJ 5512 E U.H. AJ 5518 E	670076 14 670076 17	620168 16 620168 17	620058 52 620058 57	620167 22 620167 22
MF 41 MF 51	220/50/1 220/50/1	U.H. AJ 5512 E U.H. AJ 5518 E	670076 10 670076 16	620168 11 620168 11	620058 44 620058 56	620167 22 620167 22
MF 51	380/50/3	U.H. TAJ 4519 E	670076 18	*****	620058 58	*****

ELECTRIC COMPONENTS CHART - TABELLA COMPONENTI ELETTRICI - TABLEAU COMPOSANTS ELECTRIQUES

MODEL MODELLO MODELE MODELL	VOLTS TENSIONE TENSION SPANNUNG	CONTACTOR TELERUTTORE CONTACTEUR SCHALTSCHÜTZ	GEAR MOTOR ASSY ASS. MOTORIDUTTORE ENS. MOTOREDUCTEUR GETRIEBEMOTOREINHEIT	DRIVE MOTOR MOTORE RIDUTTORE MOTEUR REDUCTEUR MOTOREINHEIT	FAN MOTOR ONLY MOTORE VENTILATORE MOTEUR VENTILATEUR LUFTER MOTOR	DRIVE MOTOR CAPACITOR CAPACITA' MOTORE RIDUTTORE CONDENSATEUR MOTEUR REDUCTEUR KONDENSATOR
MF 41 MF 51	115/60/1 115/60/1	630124 07 620124 07	794215 09 794215 09	060273 07 060273 07	620419 05 *****	620292 01 620292 01
MF 41 MF 51	230/60/1 230/60/1	630119 00 620124 05	794215 08 794215 08	060273 06 060273 06	620419 04 620419 06	620292 03 620292 03
MF 41 MF 51	220/50/1 220/50/1	630119 00 620124 05	794215 08 794215 08	060273 06 060273 06	620419 04 620419 06	620292 03 620292 03
MF 51	380/50/3	620124 05	794215 08	060273 06	620419 06	620292 03