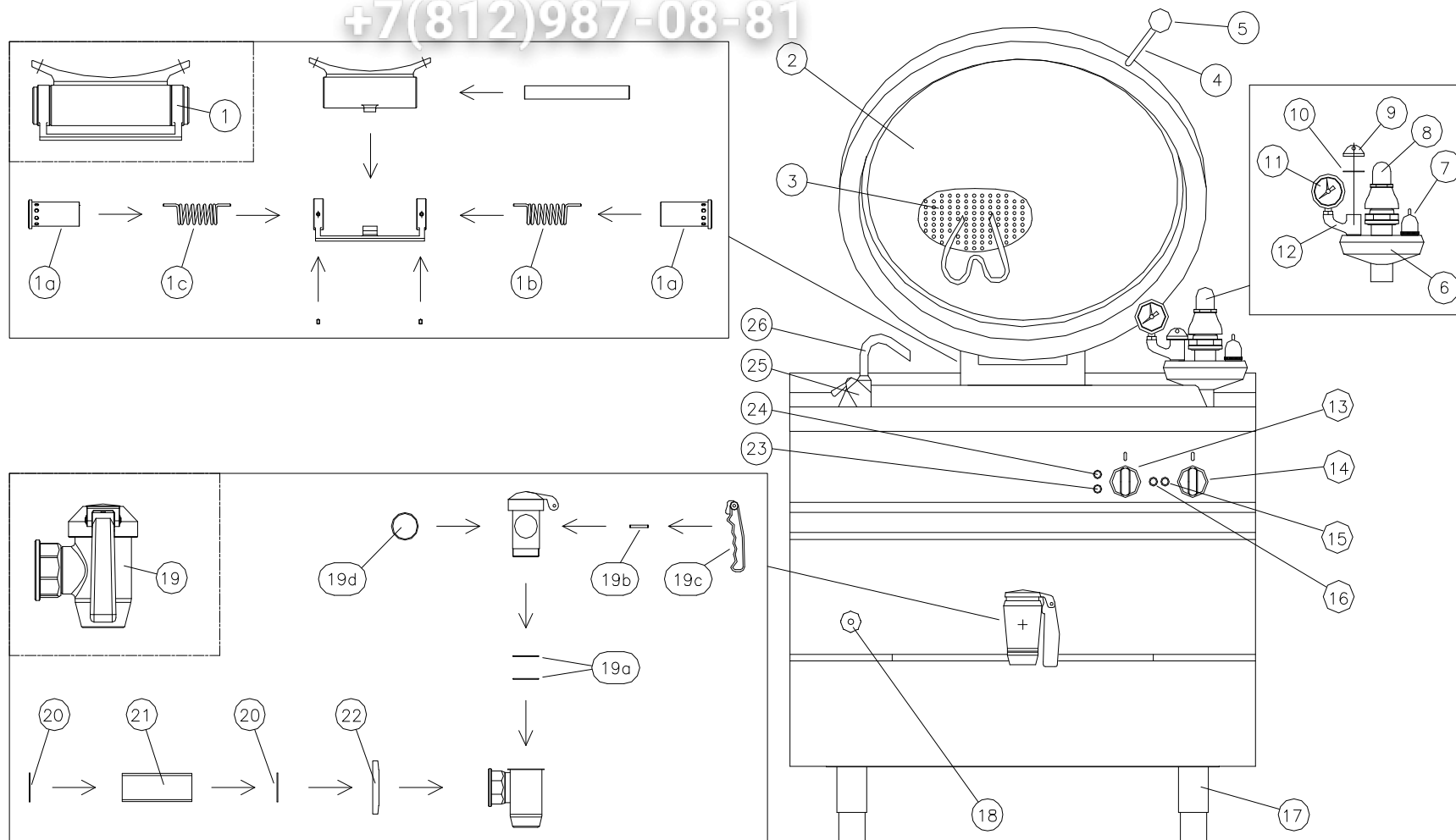


# Зип Общепит

Mod. PM.IE200 / PM.IE300 / PM.IE500

vsezip.ru

+7(812)987-08-81

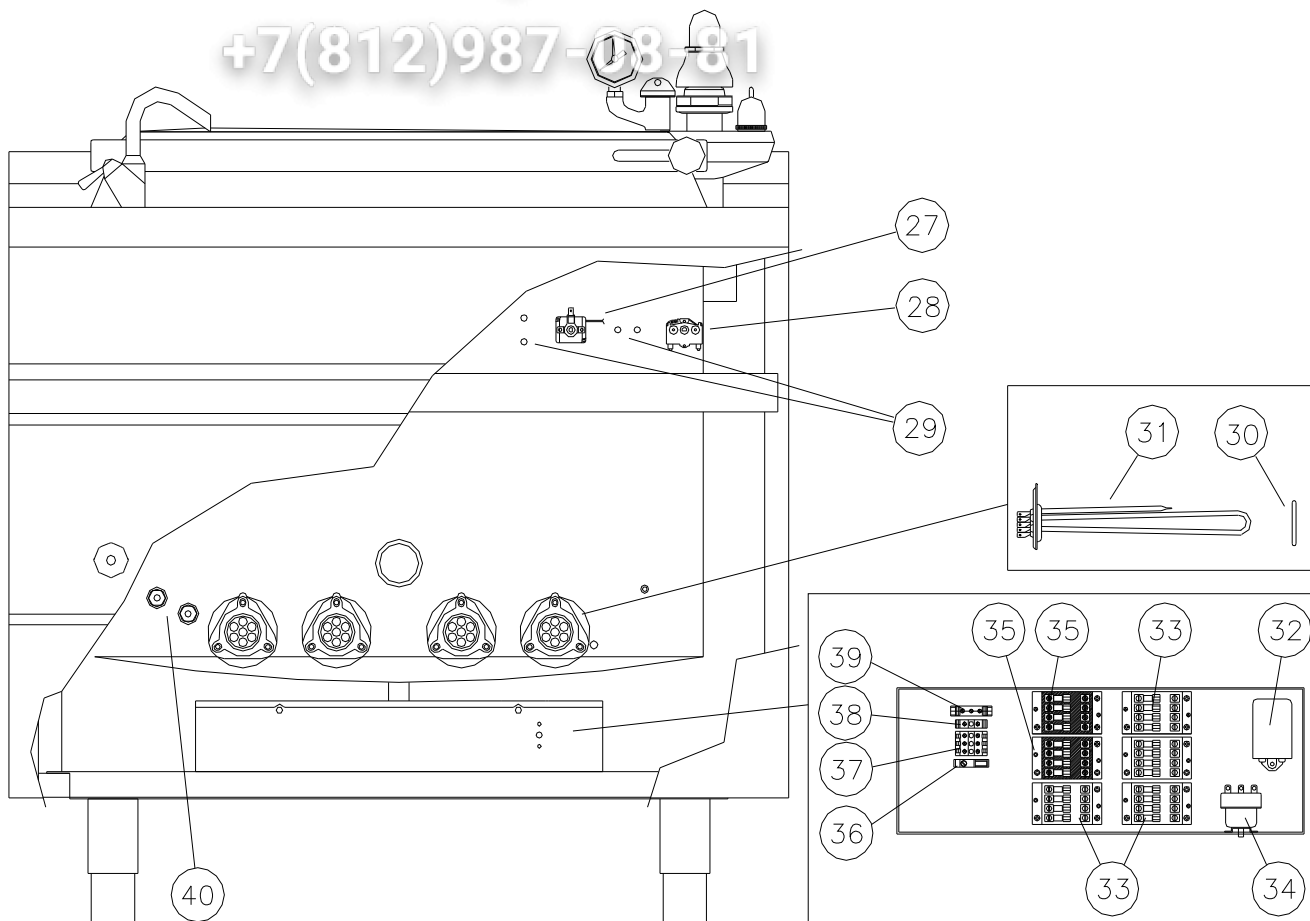


# Зип Общепит

Mod. PM.IE200 / PM.IE300 / PM.IE500

vsezip.ru

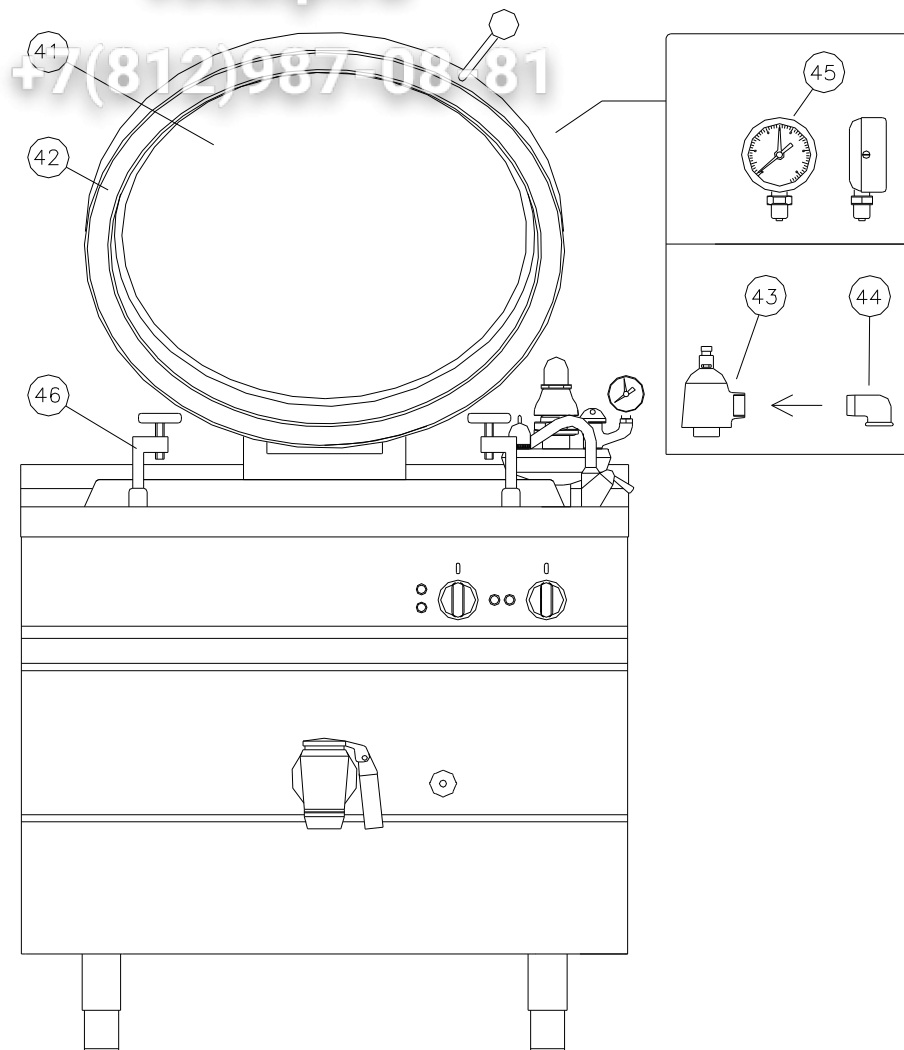
+7(812)987-08-81



Зип Общепит

Mod. PM.IE200A / PM.IE300A / PM.IE500A

vsezip.ru



# Zip Общепит

Pos.	Mod.	Cod.	Descrizione I	Description GB	Beschreibung D	Description F
01	PM.IE200	20300086	Cerniera completa	Hinge	Scharnier	Charnière
	PM.IE300/500	20300108				
01a	PM.IE...	20300087	Cardine per cerniera 20300086/108	Hinge pivot 20300086/108	Angel scharnier 20300086/108	Pivot charniere 20300086/108
01b	PM.IE200	20500044	Molla DX d.5 cern.tipo leggero	Spring DX d.5	Feder DX d.5	Ressort DX d.5
	PM.IE300/500	20500048	Molla DX d.6 cern.tipo leggero	Spring DX d.6	Feder DX d.6	Ressort DX d.6
01c	PM.IE200	20500046	Molla SX d.5 cern.tipo leggero	Spring SX d.5	Feder SX d.5	Ressort SX d.5
	PM.IE300/500	20500050	Molla SX d.6 cern.tipo leggero	Spring SX d.6	Feder SX d.6	Ressort SX d.6
02	PM.IE200	SMP0122-00	Coperchio normale	Lid	Deckel	Couvercle
	PM.IE300/500	SMP0124-00				
03	PM.IE...	30700123	Filtro per pentola	Kettle Filter	Filter kochkessel	Filtre marmite
04	PM.IE...	20200014	Prolunga per impugnatura	Handle extension	Verlängerung für Handgriff	Prolonge poignée
05	PM.IE...	20200013	Impugnatura coperchio	Cover handle	Deckelgriff	Poignée couvercle
06	PM.IE...	30300070	Supporto	Tube-socket/Pressure gauge	Tragstück ventil/Druchanzeiger	Support
07	PM.IE...	30300060	Valvola depressione 3/4"	Depression valve 3/4"	Druckabfallventil 3/4"	Soupape de dépression 3/4"
08	PM.IE...	30300008	Valvola di sicurezza 0,5bar	Safety valve 0,5 bar	Sicherheitsventil 0,5 bar	Soupape de sécurité 0,5 bar
09	PM.IE...	10400061	Tappo 3/4"	Plug 3/4"	Pfropfen 3/4"	Bouchon 3/4"
10	PM.IE...	10500110	O-Ring Ø28	O-Ring Ø28	O-Ring Ø28	O-Ring Ø28
11	PM.IE...	30300022	Manometro	Pressure gauge	Druchanzerger	Manomètre
12	PM.IE...	30300071	Prolunga	Extension	Verlängerung	Prolonge
13	PM.IE...	20200007	Manopola 0-1-2	Knob 0-1-2	Knebel 0-1-2	Manette 0-1-2
14	PM.IE...	20200006	Manopola 30-100°	Knob 30-100°	Knebel 30-100°	Manett e 30-100°
15	PM.IE...	40200152	Lamp. Cristallo verde	Green signal	Kontrolleuchte grünfarbig	Voyant de couleur vert
16	PM.IE...	40200150	Lamp. Cristallo arancio	Orange signal	Kontrolleuchte orangefarbig	Voyant de couleur orange
17	PM.IE200	20100020	Ass. piedino da 2"	Foot 2"	Fuss 2"	Pied 2"
	PM.IE300					
	PM.IE500	SMP0772-00	Ass. piedino	Foot	Fuss	Pied
18	PM.IE...	30200050	Rubinetto di livello	Level tap	Niveauhahn	Robinet de niveau
19	PM.IE...	30200198	Rubinetto di scarico 2"	Tap 2"	Armaturo 2"	Robinet 2"
19a	PM.IE...	10500084	O-ring per rub. di scarico 2"	Rubber pipe D.19-26	Gummirohr D.19-26	Tube alim. Caoutchouc D.19-26
19b	PM.IE...	30200184	Perno fissaggio impugnatura	Fixing pin		Pivot fixation poignee
19c	PM.IE...	30200182	Impugnatura atermica anatom.	Cool-touch anatomical handle		Pognee athermique anatomique
19d	PM.IE...	10500084	O-ring per rub. di scarico 2"	Rubber pipe D.19-26	Gummirohr D.19-26	Tube alim. Caoutchouc D.19-26
20	PM.IE...	10500060	Guarniz. teflon Ø 60x46x2	Teflon Washer Ø 60x46x2	Dichtung Teflon Ø 60x46x2	Joint téflon Ø 60x46x2
21	PM.IE...	10400008	Nipples di scarico 2"	Nipples	Nipple	Ecrou

# Зип Общепит

22	PM.IE...		10200002	Borchia per rub. Scarico 2"	Tap boss 2"	Stützring für Auslaßhahn 2"	Rondelle pour robinet 2"
23	PM.IE...		40200148	Lampada spia rossa allarme mancanza H2O in Escap.	Red lamp warning light H2O jacket	Rot Signalleuchte Alarm Mangel H2O im Zwischenraum	Témoin lumineux orange réserve H2O double paroi
24	PM.IE...		40200150	Lampada spia arancione riserva H2O intercapedine	Orange lamp warning light falling water H2O jacket	Wasser-reserve Orange Signalleuchte	Témoin lumineux rouge alarme manque H2O double paroi
25	PM.IE...		30200077	Rubinetto gruppo monoforo	Mixer tap 1 Hole connection	Hahngruppe – Einweg	Robinet groupe-monotrou
26	PM.IE...		30200068	Canna rubinetto	Water cock	Leitung Wasserzufuhr	Tuyau robinet
27	PM.IE...		40100050	Termostato di lavoro monof.	Thermostat	Thermostat	Thermostat
28	PM.IE...		40100004	Commutatore ego	Changeover switch	Wahlschalter	Commutateur
29	PM.IE...	C	40200154	Neon per lampada	Neon lamp	Neon	Néon pour lampe
30	PM.IE...		10500100	O-Ring Ø interno 47mm	O-Ring Ø 47mm	O-Ring Ø 47mm	O-Ring Ø47mm
31	PM.IE200	C	40400048	Resistenza trifase pentola	Heating element for pan	Heizung Kochkessel	Résistance 3phases pour marmite
	PM.IE300 PM.IE500		40400038				
32	PM.IE...		40800050	Centralina controllo livello	Level control device	Vorrichtung kontrolle niveau	Centrale contrôle de niveau
33	PM.IE...	C	40100023	Teleruttore 4P A9/25A	Electromagnetic switch	Fernschalter	Térupteur
34	PM.IE...		40100044	Termostato sicurezza 180°	Safety thermostat	Sichere itsthermostat	Thermostat de sécurité
35	PM.IE...	C	40100024	Teleruttore 4P A16/25A	Electromagnetic switch	Fernschalter	Térupteur
36	PM.IE...		40200084	Fusibile	Fuse	Schmelzsicherung	Fusible
37	PM.IE...		40200010	Morsetto tripolare	Threepole Holdfast	Dreipolig- Klammer	Tripolaire serre-câble
38	PM.IE...		40200020	Morsetto unipolare	Unipolar Holdfast	Einpolig- Klammer	Unipolaire serre-câble
39	PM.IE...		40200030	Morsetto unipolare	Unipolar Holdfast	Einpolig- Klammer	Unipolaire serre-câble
40	PM.IE...		40800040	Elettrodo x controllo livello	Level control electrode	Elektrode fur niveau-kontrolle	Electrode pour contrôle niveau
41	PM.IE200A		SMP0128-00	Coperchio autoclave	Autoclave lid	Autoklavdeckel	Couvercle autoclave
	PM.IE300A PM.IE500A		SMP0130-00				
42	PM.IE200A		10600300/2	Guarnizione coperchio Autoclave	Autoclave lid gasket for kettles	Dichtung autoclavdeckel kochkessel	Joint couvercle autoclave marmite
	PM.IE300A PM.IE500A		10600300/3				
43	PM.IE...A		30300026	Valvola coperchio autoclave	Safety valve	Sicherheitsventil	Soupape de sécurité
44			10400126	Curva M/F ¾" ottone	Brass bend M/F 3/4"	Kurve M/F 3/4" aus messing	Courbe M/F 3/4" cuivre
45			30300023	Manometro	Pressure gauge	Druchanzerger	Manomètre
46			20300093	Gruppo tirante autoclave	Lid lock clamps	Verschlussklemme für Deckel	Fixation pour couvercle