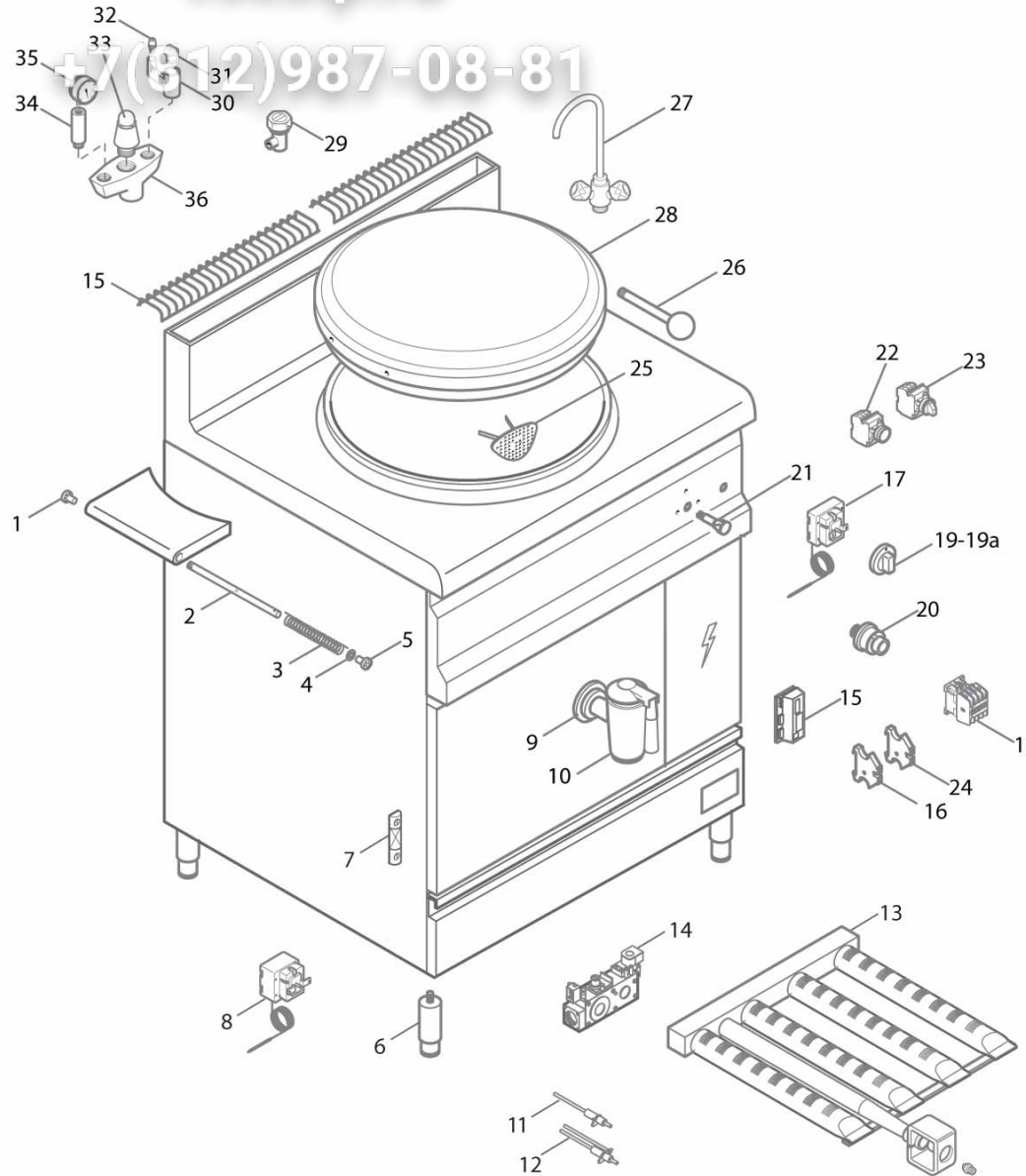




G7PI

Зип Общепит

vsezip.ru





G7PI

Зип Общепит

vsezip.ru

+7(812)987-08-81

| Pos. Item | Codice Code | Descrizione | Item Description | Designation articles | Artikelbeschreibung | Decripción artículos | N° pezzi - No. pieces | | | | |
|-----------|-------------|--------------------------------|--------------------------------|--------------------------------|--------------------------------|---------------------------------|-----------------------|--|--|--|---|
| | | | | | | | | | | | |
| 1 | 31889000 | Mozzo cern.ant. e7pi-g7pi-g7pd | Hinge pivot e7pi-g7pi-g7pd | Gond charniere e7pi-g7pi-g7pd | ScharnierstÜtzzapfen e7pi-g7pi | Cubo anter. bisagra e7pi-g7pi- | | | | | 1 |
| 2 | 31291000 | Tube per molla e7pi-g7pi-g7pd | Spring tube e7pi-g7pi-g7pd | Toube pour ressort e7pi-g7pi-g | Federhor e7pi-g7pi-g7pd | Tube para muelle e7pi-g7pi-g7p | | | | | 1 |
| 3 | 31878200 | Molla e7pi-g7pi-g7pd | Spring e7pi-g7pi-g7pd | Ressort e7pi-g7pi-g7pd | Federhor e7pi-g7pi-g7pd | Muelle e7pi-g7pi-g7pd | | | | | 1 |
| 4 | 31938200 | Rondel. x molla e7pi-g7pi-g7pd | Washer for spring | Rondelle pour ressort | Federscheibe | Arandela para muelle | | | | | 1 |
| 5 | 31889200 | Mozzo cern.post.e7pi-g7pi-g7pd | Hinge pivot e7pi-g7pi-g7pd | Gond charniere e7pi-g7pi-g7pd | ScharnierstÜtzzapfen e7pi-g7pi | Cubo post.bisagra e7pi-g7pi-g7 | | | | | 1 |
| 6 | 24684200 | Piedino inox 1 1/2 h-125/175 | Foot 1 1/2 h-125/175 | Pied 1 1/2 h-125/175 | Fuss 1 1/2 h-125/175 | Pata 1 1/2 h-125/175 | | | | | 4 |
| 7 | 31240000 | Livello "d" e7pi-g7pi | Level "d" e7pi-g7pi | Niveau "d" e7pi-g7pi | Stand "d" e7pi-g7pi | Nivel "d" e7pi-g7pi | | | | | 1 |
| 8 | 31290200 | Termostato sicurezza g7pi | Safety thermostat g7pi | Thermostat de sÜretÉ g7pi | Sicherheitsthermostat g7pi | Termostato de seguridad g7pi | | | | | 1 |
| 9 | 31780000 | Borchia rub. e7pi-g7pi-g7pd (1 | Drain cook boss e7pi-g7pi-g7pd | Rondelle pour robinet de vida | Ablasshahn-auflange e7pi-g7pi- | Arandela grifo de descarga e7p | | | | | 1 |
| 10 | 31274300 | Rub. scarico e7pi-g7pi-g7pd (1 | 1 1/4 boiling pan drain tap | robinet de vidange marmite 1 | topf-ablasshahn 1 1/4 | grifo descarga marmita 1 1/4 | | | | | 1 |
| 11 | 31187600 | Candelina contr.lo fiamma g7pi | Flame control glow plug g7pi | Bougie controle flamme g7pi | Kleine zÜndkerze g7pi | Bujía de control de la llama g | | | | | 1 |
| 12 | 31187400 | Candelina accensione g7pi | Spark plug g7pi | Bougie d'allumage g7pi | Gasleitbrenner g7pi | Bujía de encendido g7pi | | | | | 1 |
| 13 | 31780200 | Bruciatore gas g7pi-g7pd | Gas burner g7pi-g7pd | BrÜleur gaz g7pi-g7pd | Gasbrenner g7pi-g7pd | Quemador de gas g7pi-g7pd | | | | | 1 |
| 14 | 31990700 | Valvola gas 822 nova (pentol | Safety valve (50 lt. boiling p | Soipape de securite (marmite 5 | Sicherheitsventil | Valvula de seguridad (olla 50 l | | | | | 1 |
| 15 | 32848400 | Griglia camino gl/lx mobile | Chimney grill gl/lx | Grille hotte gl/lx | Grillkamin gl/lx | Rejilla chimenea gl/lx | | | | | 2 |
| 16 | 31886200 | Morsettiera di terra e7pi-g7pi | Earthing terminal board | Bornier de terre | Erdklemmen | Bornera de tierra | | | | | 1 |
| 17 | 31290000 | Termostato lavoro 150Ø g7pi | Operating thermostat 150Ø g7pi | Thermostat de fonctionnement 1 | Thermostat betrieb 150Ø g7pi | Termostato de funcionamiento 1 | | | | | 1 |
| 18 | 31933000 | Riduzione per manop. pentolino | Reduction for knob | Adaptateur pour poignee | ReduziertstÜk fÜr griff | Reductor para mando | | | | | 1 |
| 19 | 35877200 | Manopola rossa p. 6x4.6 a o° r | Red knob p. 6x4.6 a o° ral3000 | Manette rouge p. 6x4.6 a o° r | Drehknopf p. 6x4.6 a o° ral300 | Mando rojo p. 6x4.6 a o° ral30 | | | | | 1 |
| 19A | 31954100 | Serig.rossa manop.e7pi-g7pi | Knob serigraphy | Serigraphie de la manette | Drehknopfserigraphie | Serigrafía mando | | | | | 1 |
| 19 | 35876200 | Manopola rossa p. 6x4.6 a o° | Red knob 6x4.6 o° c | Manette rouge 6x4.6 o° c | Drehknopf 6x4.6 o° c | Mando rojo 6x4.6 o° c | | | | | 1 |
| 20 | 31917000 | Pressostato e7pi-g7pi | Manostat e7pi-g7pi | Pressostat e7pi-g7pi | DruckwÄchter e7pi-g7pi | Presostato e7pi-g7pi | | | | | 1 |
| 21 | 33170700 | Spia arancio 230v d.13 mm | Orange pilot light 230v d.13 m | TÉmoin lumineux orange 230v d. | Kontrollleuchte 230v d.13 mm | Indicador lumin. naranja 230v | | | | | 1 |
| 22 | 31923000 | Pulsante reset bruciatore g7pi | Burner reset pushbutton | Bouton reset brÜleur | Resetknopf brenner | BotØn de reset quemador | | | | | 1 |
| 23 | 31205000 | Int.generale/commut. e7pi-g7pi | Commutator e7pi-g7pi | Commutateur e7pi-g7pi | Umschalter e7pi-g7pi | Interruptor general conmutador | | | | | 1 |
| 24 | 31886000 | Morsettiera e7pi | Terminal board e7pi | Bornier e7pi | Klemmbrett e7pi | Bornera e7pi | | | | | 3 |
| 25 | 31856900 | Griglia scarico e7pi-g7pi-g7pd | Drain grid e7pi-g7pi-g7pd | Grille vidange e7pi-g7pi-g7pd | Ablassgitter e7pi-g7pi-g7pd | Rejilla de descarga e7pi-g7pi- | | | | | 1 |
| 26 | 31875600 | Maniglia a leva e7pi-g7pi-g7pd | Lever type handele e7pi-g7pi-g | Poignee a levier e7pi-g7pi-g7p | Ohebelgriff e7pi-g7pi-g7pd | Palanca e7pi-g7pi-g7pd | | | | | 1 |
| 27 | 31857200 | Gruppo monoforo e7pi-g7pi-g7pd | Single-hole tap e7pi-g7pi-g7pd | Robinet mono trou e7pi-g7pi-g7 | Einloch-hah e7pi-g7pi-g7pd | Grifo monohoyo e7pi-g7pi-g7pd | | | | | 1 |
| 28 | 31205400 | Coperchio pent. e7pi-g7pi-g7pd | Boiling pan lid e7pi-g7pi-g7pd | Couvercle petite marmite e7pi- | TØpfchendeckel e7pi-g7pi-g7pd | Tapa olla e7pi-g7pi-g7pd | | | | | 1 |
| 29 | 31954600 | Scaricatore aria e7pi-g7pi | 1/2 breather pipe | evacuation air 1/2 | luftablasser 1/2 | evacuador de aire 1/2 | | | | | 1 |
| 30 | 31273900 | Rubinetto con imbuto e7pi-g7pi | Tap with funnel e7pi-g7pi | Robinet avec entonnoir e7pi-g7 | Wasserhahn mit trichter e7pi-g | Grifo con embudo e7pi-g7pi | | | | | 1 |
| 31 | 31287500 | Tappo cromato e7pi-g7pi | chromium-plated plug e7pi-g7p | Bouchon chrome e7pi-g7pi | Verchromte pfropfen e7pi-g7pi | Tapon cromado e7pi-g7pi | | | | | 1 |
| 32 | 31990600 | Valvola depressione e7pi-g7pi | 1/4 vacuum valve e7pi-g7pi | soupape de depression 1/4 e7p | unterdruckventil 1/4 e7pi-g7p | vÁlvula de vacio 1/4 e7pi-g7p | | | | | 1 |
| 33 | 31990900 | Valvola sicurezza 0,5 bar pent | Safety valve | Soupape de surete | Scherheitsventil | VÁlvula de seguridad | | | | | 1 |
| 34 | 31954900 | Sifone portamanom.ro e7pi-g7pi | Gauge holder e7pi-g7pi | Siphon porte-manometre | Manometerheber-siphon | SifØn portamanØmetro | | | | | 1 |
| 35 | 31875700 | Manometro 0-1 bar e7pi-g7pi | Bar gauge 0-1 bar e7pi-g7pi | Manometre 0-1 bar e7pi-g7pi | Manometer 0-1 bar e7pi-g7pi | Manometro 0-1 bar e7pi-g7pi | | | | | 1 |
| 36 | 31857400 | Gruppo sicurezza 3/4 e7pi-g7pi | Support | Support | Halter | | | | | | 1 |