

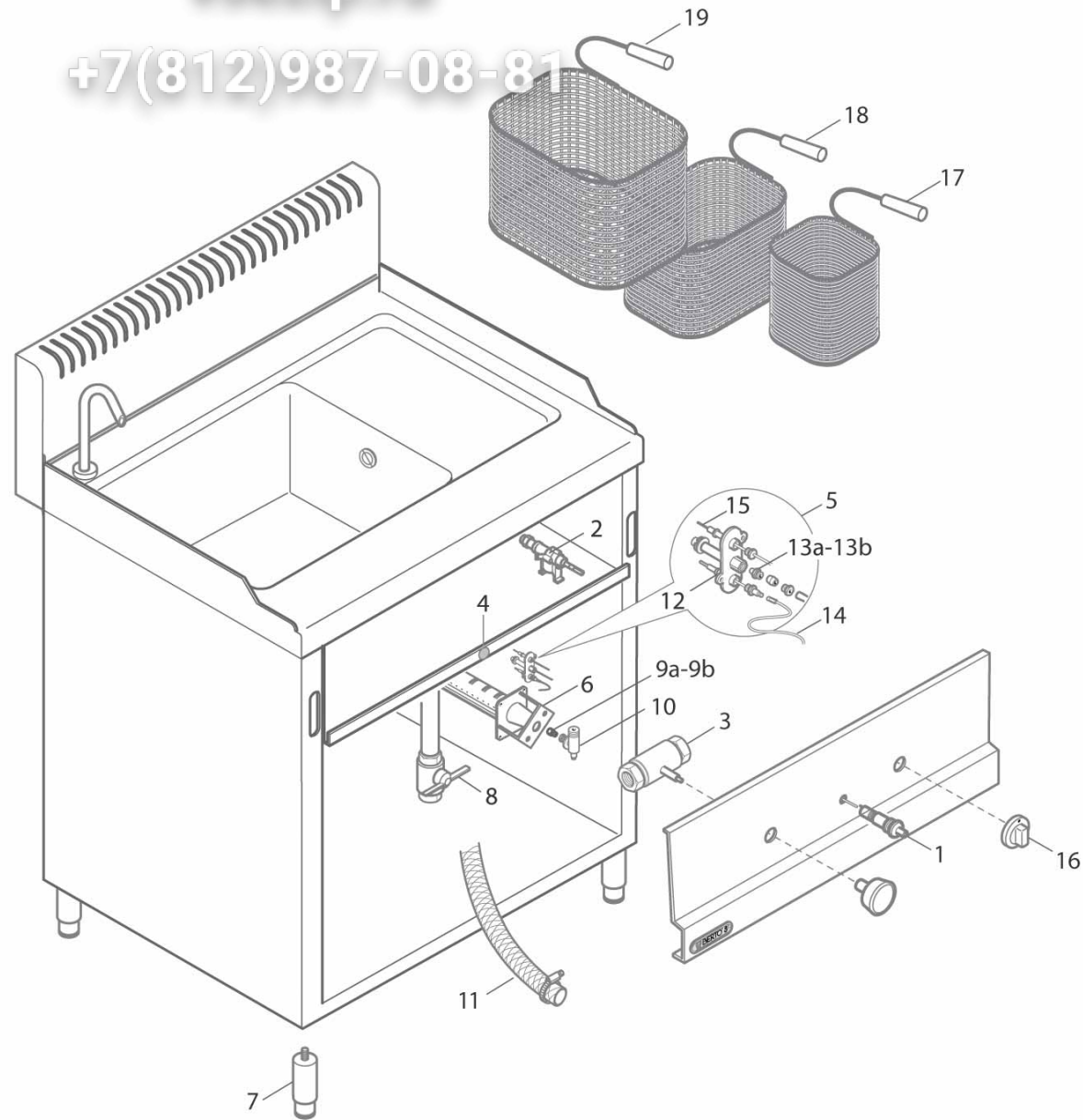


G6CP6

Зип ОЩЕПИТ

vsezip.ru

+7(812)987-08-81





G6CP6

Зип Общепит

vsezip.ru

+7(812)987-08-81

| Pos. Item | Codice Code | Descrizione | Item Description | Designation articles | Artikelbeschreibung | Decripción articulos | N° pezzi - No. pieces | | | | |
|-----------|-------------|--------------------------------|--------------------------------|--------------------------------|--------------------------------|--------------------------------|-----------------------|--|--|--|---|
| | | | | | | | | | | | |
| 1 | 32188200 | Piezoelettrico dado | Piezoelectric ignition nut | Piezo-electrique ecrou | Piezozunder mutter | Piezoelectrico tuerca | | | | | 1 |
| 2 | 31273700 | Rubinetto pel21s;9x1;bypas100 | Cock pel 21/s | Robinet pel 21/s | Hahn pel 21/s | Llave pel 21s | | | | | 1 |
| 3 | 31686800 | Valvola sfera man. ghiera 1/2 | Water inlet valve | Soupape entree d'eau | Wasser-einlassventil | Valvula de bola | | | | | 1 |
| 4 | 32583800 | Chiusura magnetica | Magnetic closure | Fermeture magnetique | Magnetverschluss | Cierre magnetico | | | | | 1 |
| 5 | 27291100 | Pilota (0160) | Pilot | Veilleuse | Zundflamme | Piloto | | | | | 1 |
| 6 | 31278800 | Brucciatoe cuocipasta cpg40-80 | Burner cpg40-80 | Brûleur cpg40-80 | Brenner cpg40-80 | Quemador cpg40-80 | | | | | 1 |
| 7 | 24684200 | Piedino inox 1 1/2 h-125/175 | Foot 1 1/2 h-125/175 | Pied 1 1/2 h-125/175 | Fuss 1 1/2 h-125/175 | Pata 1 1/2 h-125/175 | | | | | 4 |
| 8 | 32686300 | Rub scarico mobile 3/4 | Outlet tap | Robinet de vidange | Abflusshahn | Grifo de descarga | | | | | 1 |
| 9A | 40214500 | Codice lib.vedi 40214510/20 | Nozzle d. 145r | Gicleur d. 145r | Düse d. 145r | Inyector largo d. 145r | | | | | 1 |
| 9B | 40000000 | Ugello: indicare modello e tip | Injector: specify model and ga | Gliceur: specifier modele et g | Duese: modell und gas-typ zeig | Tobera: precisar modelo y tipo | | | | | 1 |
| 10 | 32327600 | Portaugello gl-plg-cpg-cucine | Injector holder | Support injecteur | Dusenhalter | Soporte de tobera | | | | | 1 |
| 11 | 31987700 | Tube gomma scarico vasca cpg | Rubber drain pipe | Tuyau de decharge en caoutchou | Gummischlauch | Tube de caucho de descarga | | | | | 1 |
| 12 | 22289200 | Termocoppia 600 mm x plg/cpg/c | Thermocouple 600mm | Thermocuple 600mm | Thermoelement 600mm | Termopar 600mm | | | | | 1 |
| 13A | 40000000 | Ugello: indicare modello e tip | Injector: specify model and ga | Gliceur: specifier modele et g | Duese: modell und gas-typ zeig | Tobera: precisar modelo y tipo | | | | | 1 |
| 13B | 40000000 | Ugello: indicare modello e tip | Injector: specify model and ga | Gliceur: specifier modele et g | Duese: modell und gas-typ zeig | Tobera: precisar modelo y tipo | | | | | 1 |
| 14 | 22189200 | Cavo accensione piezo faston o | Piezo ignition cable | Cable allumage piezo | Piezozundungskabel | Cable encendido piezo | | | | | 1 |
| 15 | 22296900 | Candeletta acc. gl/cpg/plg/fry | Ignition plug gl/cpg/plg/fry-t | Bougie allumage gl/cpg/plg/fry | Kleine zundkerze gl/cpg/plg/fr | Bujia de encendido gl/cpg/plg/ | | | | | 1 |
| 16 | 31875800 | manopola pel rossa perno8x6,5 | Red gas knob | Manette du gaz rouge | Roter gasdrehschalter | Mando gas rojo | | | | | 1 |
| 17 | 31613900 | Cesto 1/6 140x105x200 h. x cpg | Basket 1/6 140x105x200 h. x cp | Panier 1/6 140x105x200 h. x cp | Korb 1/6 140x105x200 h. x cpg | Cesta 1/6 140x105x200 h. x cpg | | | | | 1 |
| 18 | 36614800 | Cesto 1/3 105x250x200h g6cp6 | Basket 1/3 105x250x200h g6cp6 | Panier 1/3 105x250x200h g6cp6 | Korb 1/3 105x250x200h g6cp6 | Cesta 1/3 105x250x200h g6cp6 | | | | | 1 |
| 19 | 31613700 | Cesto 1/1 290x330x200 h. x cpg | Basket 1/1 290x330x200 h. x cp | Panier 1/1 290x330x200 h. x cp | Korb 1/1 290x330x200 h. x cpg | Cesta 1/1 290x330x200 h. x cpg | | | | | 1 |