

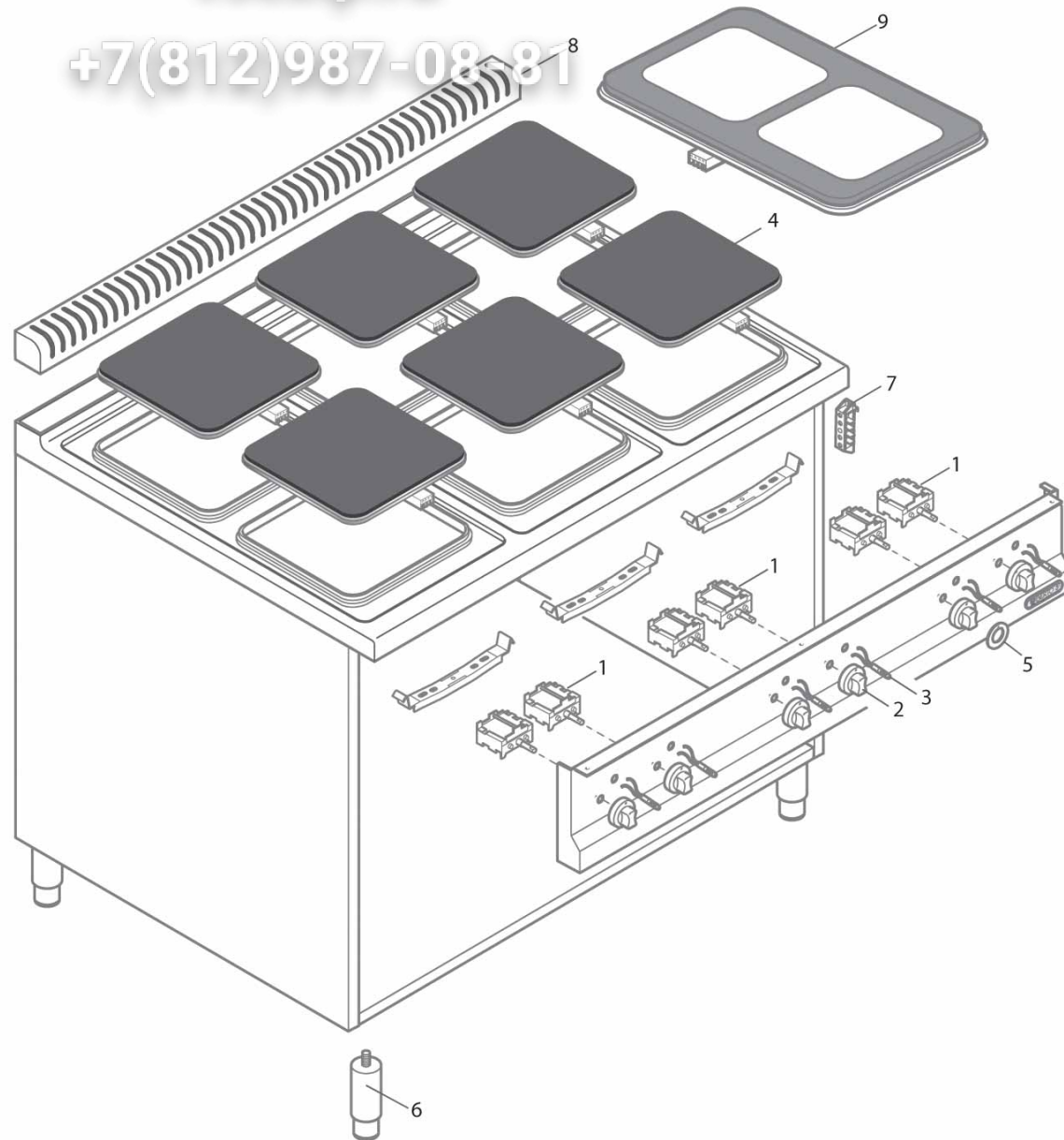


E9PQ6M

Зип Общепит

vsezip.ru

+7(812)987-08-81





E9PQ6M

Зип Общепит

Pos. Item	Codice Code	Descrizione	Item Description	Designation articles	Artikelbeschreibung	Decripción articulos	N° pezzi - No. pieces					
												E9PQ6M
1	22049900	Commutat. x cuc.piastre el.	Selector	Commutateur	Umschalter	Conmutador						6
2	35876100	Manopola rossa p. 8x6,5 a 180°	Red knob 8x6,5 180°	Manette rouge 8x6,5 180°	Drehknopf 8x6,5 180°	Mando rojo 8x6,5 180°						6
2	35877100	Man. rossa p. 8x6,5 a 180°ral3000	Red knob p. 8x6,5 a 180°ral3000	Ma. rouge p. 8x6,5 a 180°ral3000	Drehknopf p. 8x6,5 a 180°ral3000	Mando rojo p. 8x6,5 a 180°ral3000						6
2	38877100	Manopola pa66 p.6x4.6 a '90°	Knob pa66 p.6x4.6 a '90°	Manette pa66 p.6x4.6 a '90°	Drehknopf pa66 p.6x4.6 a '90°	Mando pa66 p.6x4.6 a '90°						6
3	30168800	Spia verde 230v d.10mmt150Ø	Green lamp 230v	Temoin lumineux vert 230v	Grune kontrollampe 230v	Piloto verde 230v						6
4	35037400	Piastra q. 300x300 3500w 230v	Square plate	Plaque caree	Quadratische platte	Plancha cuadrada						6
5	31952500	Serig.rossa manop.cucina elet.	Electric knob serigraphy	Serigraphie manette electr.	Drehknopfserigraphie	Serigrafia mando electr.						6
6	24684500	Piedino inox 2 h-125/175	Foot 2 h-125/175	Pied 2 h-125/175	Stellfuss 2 h-125/175	Pata 2 h-125/175						4
7	30184200	Morsettiera a 6 poli fv 122 b (lau 10)	Terminal board 6 poles	Bornier 6 poles	Klemmenleiste	Bornera 6 polos						1
8	35856100	Ass. gr. camino 800 aisi 304 12/10	Chimney grill 800 aisi 304 12/10	Grille hotte 800 aisi 304 12/10	Grill kamin 800 aisi 304 12/10	Par. chimenea 800 aisi 304 12/10						-
8	35856300	Ass. gr. camino 1200 aisi 304 12/10	Chimney grill 1200 aisi 304 12/10	Grille hotte 1200 aisi 304 12/10	Grill kamin 1200 aisi 304 12/10	Par. chimenea 1200 aisi 304 12/10						1
8	35857300	Ass. gr. camino 400 aisi 304 12/10	400 chimney grill	Grille hotte 400	Grill kamin 400	Parrilla chimenea 400						-
9	35642300	Pg2q900 pi. ghisa 2 piastre quadre	Pg2q900 cast iron plate 2 sq. plates	Pg2q900 pl. en fonte 2 plaques carrees	Pg2q900 gusseisen platte	Pg2q900 placa hi. fund.:2 p. cuadradas						-