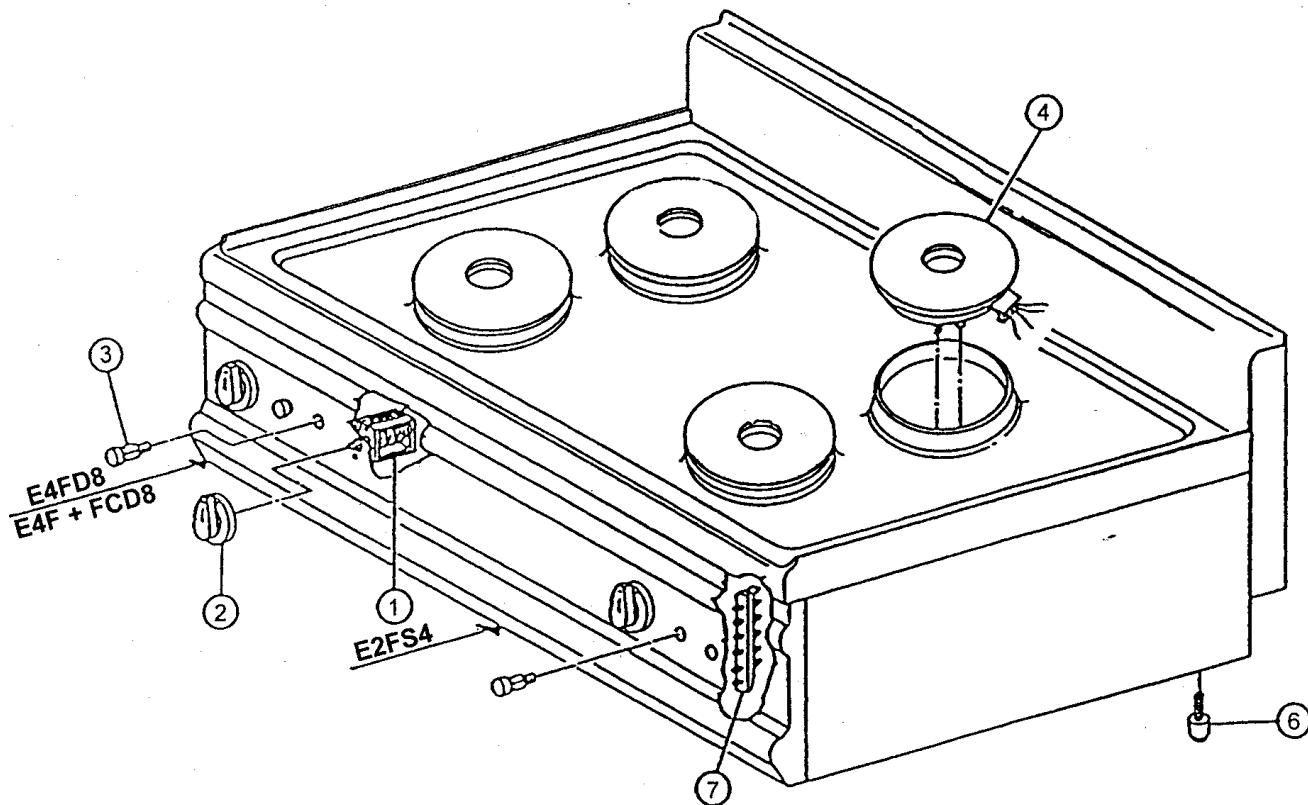


Мод. E2FS4  
Мод. E4FD8  
Мод. E4F+FCD8

Зип-Объединит  
vsezip.ru

+7(812)987-08-81



**Зип Общепит**  
**Mod. E2FS4**  
**Mod. E4FD8**  
**Mod. E4F+FCD8**

vsezip.ru

+7(812)987-08-81

| Pos.<br>Item | CODICE<br>CODE<br>CÓDIGO | DESCRIZIONE                 | ITEM DESCRIPTION           | DÉSIGNATION ARTICLES        | ARTIKELBESCHREIBUNG       | N° pezzi/ No. pieces/ Quantité<br>Stückanzahl/ N° piezas |  |  |       |       |          |
|--------------|--------------------------|-----------------------------|----------------------------|-----------------------------|---------------------------|----------------------------------------------------------|--|--|-------|-------|----------|
|              |                          |                             |                            |                             |                           |                                                          |  |  | E2FS4 | E4FD8 | E4F+FCD8 |
| 1            | 22049900                 | COMMUTATORE                 | SELECTOR                   | COMMUTEUR                   | UMSCHALTER                |                                                          |  |  | 2     | 4     | 4        |
| 2            | 22650700                 | MANOPOLA                    | KNOB                       | MANETTE                     | DREHKNOPF                 |                                                          |  |  | 2     | 4     | 4        |
| 3            | 22167900                 | SPIA LUMINOSA VERDE         | GREEN LAMP                 | TÉMOIN LUMINEUX VERT        | GRÜNE LEUCHTANZEIGE       |                                                          |  |  | 2     | 4     | 4        |
| 4            | 22037800                 | PIASTRA TONDA 2600 W- 240 V | 2600 W - 240 V ROUND PLATE | PLAQUE RONDE 2600 W - 240 V | RUNDPLATTE 2600 W - 240 V |                                                          |  |  | 2     | 4     | 4        |
| 6            | 22682300                 | PIEDINO                     | FOOT                       | PIED                        | FUSS                      |                                                          |  |  | 4     | 4     | 4        |
| 7            | 30184200                 | MORSETTIERA                 | TERMINAL BOARD             | BORNIER                     | KLEMMENLEISTE             |                                                          |  |  | 1     | 1     | 1        |