

# MOD: XVC715G

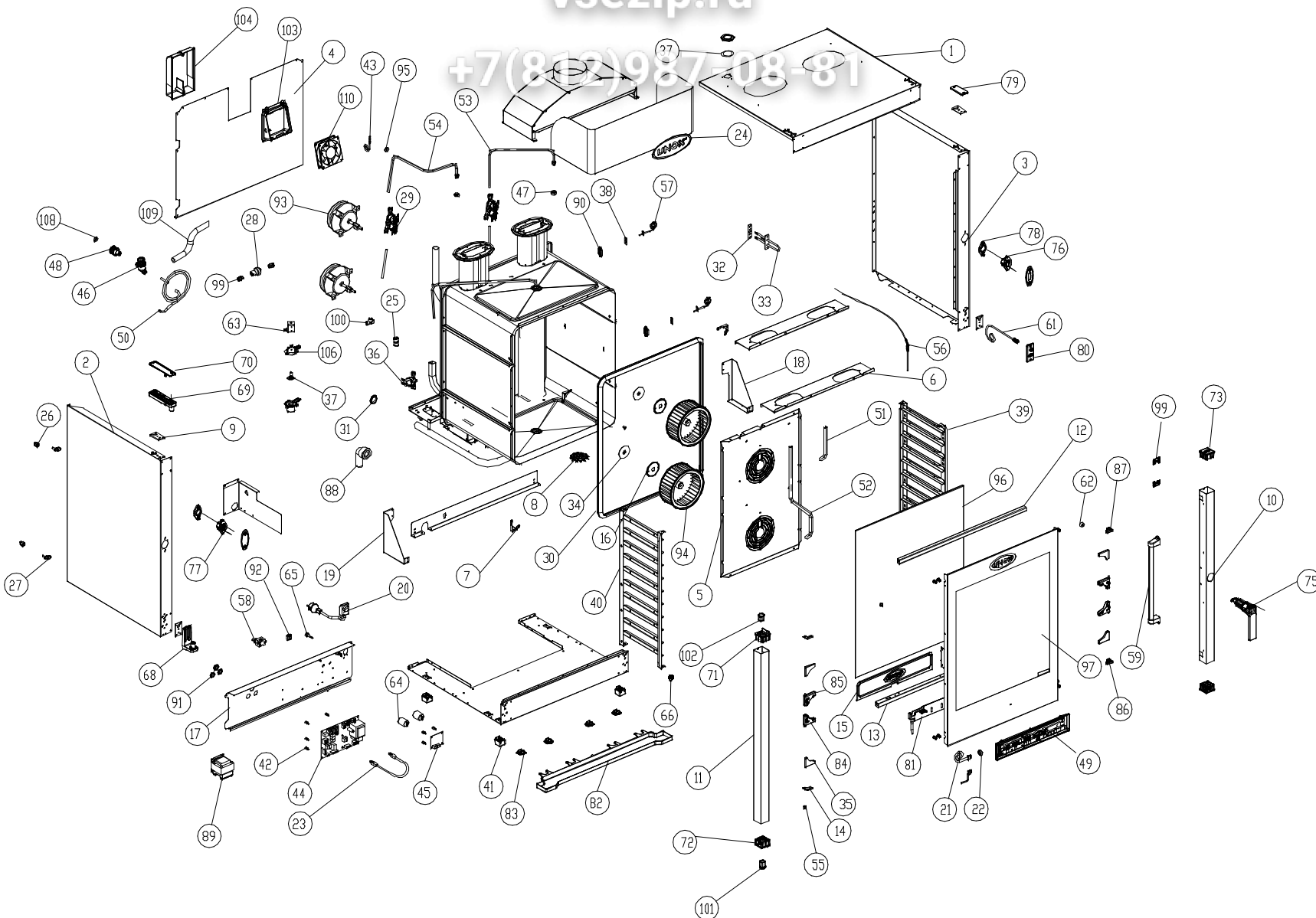
Вип Общепит

# EXPLODED VIEW DISEGNO ESPLOSO



vsezip.ru

+7(812)987-08-81



## LEGEND - LEGENDA

1	OD1775A1	56	TR1041A2
2	OD1905A0	57	TR1105A0
3	OD1906A0	58	TR255B
4	OF1390A0	59	LPI003B0
5	OG1425A0	61	VE1020A1
6	OG1325A1	62	VE1030A1
7	OH1450A0	63	VE1135A0
8	OH2551A0	64	VE1110A0
9	OH2560A0	65	VE311
10	TB1195A0	66	VII035A1
11	TB1196A0	68	VM1160A1
12	TB1220A0	69	VM1165A1
13	TB1221A0	70	VM1166A0
14	OH2650A0	71	VM1170B0
15	OH4310A0	72	VM1171B0
16	OH4305A1	73	VM1175A0
17	OP1000A0	75	VM1180A0
18	OH3980A0	76	VM1190A1
19	OH3981A0	77	VM1191A1
20	CE116A1	78	VM1192A0
21	CE1310A1	79	VM1195A0
22	CE1285A0	80	VM1201A1
23	CE1400A0	81	VM1206B0
24	ED1115A0	82	VM1216B0
25	EL1055A0	83	VM1220A0
26	EL1185A0	84	VM1230A0
27	EL1195A0	85	VM1231A0
28	EL1370A0	86	VM1235A0
29	EL1360A0	87	VM1236A0
30	GN1000B0	88	VM1260A0
31	GN1045A0	89	VE1360A0
32	GN1326A0	90	VM1465A0
33	RS1215A0	91	VM1505A0
34	GN1140A1	92	VM250
35	GN1180A0	93	VNI130A0
36	EL1252A0	94	VNI030A3
37	GN1275A0	95	VM1635A0
38	GN1285A0	96	VTI105A0
39	GRL1230A0	97	VTI106B0
40	GRL1231A0	99	EL1210A0
41	PD1001A0	99	VM1490A0
42	PE102	100	EL1020A0
43	PE1710A0	101	VM1510A0
44	PE1725A3	102	VM1511A0
45	PE1730B0	103	VM1555A0
46	EL1375A0	104	VM1556A0
47	RC1170A1	106	VM1566A0
48	RC1210A1	108	GN1200A0
49	PE1740A0	109	TB1926A0
50	TB1815A0	110	VNI120B0
51	TB1060A1		
52	TB1065A0		
53	TB1515A0		
54	TB1600A0		
55	TF1010A0		

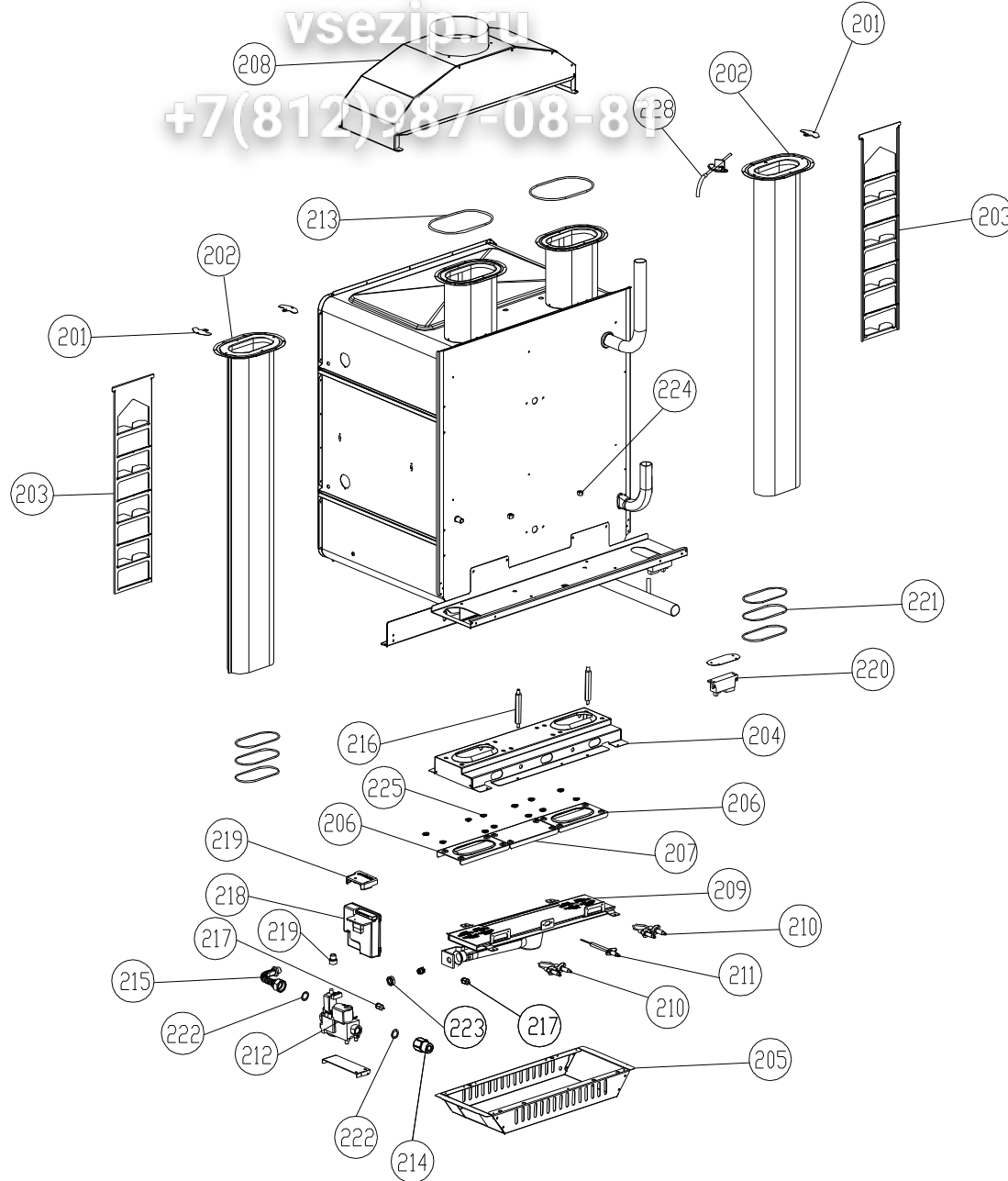
# MOD: XVC715G

Вип Общепит

## EXPLODED VIEW DISEGNO ESPLOSO



LEGEND  
LEGENDA



# MOD: XVC715G

Вип общепит

# EXPLODED VIEW DISEGNO ESPLOSO



## DESCRIZIONE CODICI

vsezip.ru

1	OD1775A1	COPERCHIO INOX XVC314/514/714G
2	OD1905A0	FIANCO SX INOX XVC705
3	OD1906A0	FIANCO DX INOX XVC705
4	OF1390A0	SCHIENA INOX XVC715G
5	OG1425A0	CARTER ARIA INOX XVC715G
6	OG1325A1	DIVISORIO CARTER ARIA INOX XVC314/514/7
7	OH1450A0	ANGOLO FACCIATA MUFFOLA INOX XB-XV-XG
8	OH2551A0	TAPPO PER TUBO DI SCARICO LIQUIDI INOX C
9	OH2560A0	CONTROSTAFFA ZINCATA PORTA C.T.
10	TB1195A0	COLONNINA DX INOX PORTA XVC705
11	TB1196A0	COLONNINA SX INOX PORTA XVC705
12	TB1220A0	LISTELLO SUP INOX PORTA XVC305/505/705
13	TB1221A0	LISTELLO INF INOX PORTA XVC305/505/705
14	OH2650A0	CERNIERA INOX VETRO INTERNO XBC/XVC
15	OH4310A0	PROFILO INOX PARACALORE CRUSCOTTO STP
16	OH4305A1	DISCO TENUTA ALBERO MOTORE INOX STP
17	OP1000A0	PORTACOMPONENTI INOX XVC315/515/715G
18	OH3980A0	STAFFA DX SUPPORTO MUFFOLA INOX
19	OH3981A0	STAFFA SX SUPPORTO MUFFOLA INOX
20	CE116A1	CAVO 3X1,5 H07RN-F MT1,5+K2/3+SCHUKO
21	CE1310A1	CAVO COLLEGAMENTO POTENZA CONTROLLO
22	CE1285A0	FERRITE EMI ROUND MOD. 2643801502
23	CE1400A0	CAVO RJ45 - RJ45 L=0,5MT
24	ED1115A0	ETICHETTA UNOX ELLISSE 235X100
25	EL1055A0	RIDUZIONE J.G. DA D=10 A D=8 PM201008E
26	EL1185A0	RACCORDO A GOMITO J.GUEST Ø8 - Ø8
27	EL1195A0	RACCORDO A GOMITO CON J.GUEST
28	EL1370A0	RIDUTTORE PRESSIONE 2 BAR CUBAIR
29	EL1360A0	ELETTROVALVOLA H2O TRI-STADIO
30	GN1000B0	GUARNIZIONE NERA 50 SHORE FORNI XB-XG-XV
31	GN1045A0	GUARN. ANTIVIBR. CAMINO-SCARICO
32	GN1326A0	GUARNIZIONE RES. 70X22X0,8
33	RS1215A0	RESISTENZA 1 SPIRA 147 W 105 V
34	GN1140A1	GUARNIZIONE PORTAMOTORE STAMP.
35	GN1180A0	GUARNIZIONE CERNIERE VETRO INT.
36	EL1252A0	ELETTROVALVOLA H2O 1 VIA RID. VERDE
37	GN1275A0	GUARNIZIONE CAMINO SILICONE NERO XVC
38	GN1285A0	GUARNIZIONE SONDA DI TEMPERATURA NTC
39	GRL1230A0	SUPPORTO LATERALE DX INOX 10TG GN1/1
40	GRL1231A0	SUPPORTO LATERALE SX INOX 10TG GN1/1
41	PD1001A0	PIEDINO 35X35 H26 PLASTICA+GOMMA GRIGIO
42	PE102	SUPPORTO PER SCHEDA 24POT98
43	PE1710A0	SENSORE NUMERO GIRI MOTORE
44	PE1725A3	SCHEDA POTENZA FORNI C.T. B.T. SERIE
45	PE1730B0	SCHEDA GESTIONE CENTRALINA GAS
46	EL1375A0	FILTRO ACQUA Ø8 MESH100
47	RC1170A1	DADO M14 H=8 CH=22 INOX
48	RC1210A1	RACCORDO 3/4 VALVOLA DI NON RITORNO
49	PE1740A0	ASSIEME SCHEDA CONTROLLO PE1705
50	TB1815A0	TUBO PE 7,93X4,75 TRASPARENTE
51	TB1060A1	TUBO INTERNO UMIDITA D=16 SP=1
52	TB1065A0	TUBO INTERNO UMIDITA DX D=16 SP=1
53	TB1515A0	TUBO ESTERNO UMIDITA + RACCORDO
54	TB1600A0	TUBO ESTERNO UMIDITA PIU RACCORDO INOX
55	TF1010A0	BOCCOLA TEFLON CERNIERA VETRO

56	TR1041A2	SONDA A TUBO ST. MPA 25X=1000
57	TR1105A0	SONDA TEMPERATURA PT100 L=1000
58	TR255B	TERMOSTATO SIC. +UNIPOL. 330°C Ty95H
59	LP1003B1	PIASTRINA COPRIFORI 21X21X1,5
60	VE1020A1	MORSETTI RUTTURE PER INOX
61	VE1020A1	MORSETTI RUTTURE PER INOX
62	VE1030A1	CALAMITA D=22,9mm PER MICROPORTA
63	VE1135A0	ATTUATORE VENTURI 220V 50/60 Hz SERIE 2
64	VE1110A0	CONDENSATORE 6,3 µF 450VAC 50/60Hz
65	VE311	FUSIBILE 5X20 1,6A RAPIDO XG410/310
66	VI1035A1	NOTTOLINO M6x12,5 CON TAGLIO OTT.CROM.FE
68	VM1160A1	STAFFA INF. PORTA XVC204/304/504/704
69	VM1165A1	STAFFA SUP. PORTA XVC204/304/504/704
70	VM1166A0	COPERCHIO STAFFA SUPERIORE PORTA
71	VM1170B0	TAPPO FULCRO SUP. PORTA XVC204/304/504/7
72	VM1171B0	TAPPO FULCRO INF. PORTA XVC204/304/504/7
73	VM1175A0	TAPPO ESTETICO COLONNINA PORTA
75	VM1180A0	IMPUGNATURA MANIGLIA XVC204/304/504/704
76	VM1190A1	SCROCCO MANIGLIA DX XVC204/304/504/704
77	VM1191A1	SCROCCO MANIGLIA SX XVC204/304/504/704
78	VM1192A0	COPERCHIO SCROCCO MANIGLIA XVC204/304/5
79	VM1195A0	PIASTRINA COPRIFORI XVC204/304/504/704
80	VM1201A1	PIASTRINA SUPPORTO MICROPORTA MAGNETICO
81	VM1206B0	PROFILO SALVAGOCCIA PORTA XVC304/504/704
82	VM1216B0	CASSETTO RACCOGLIGOCCE XVC104/304/504/7
83	VM1220A0	CLIP FISSAGGIO CASSETTO RACCOGLIGOCCE
84	VM1230A0	CERNIERA SUP. ALLUMINIO VETRO
85	VM1231A0	CERNIERA INF. ALLUMINIO VETRO
86	VM1235A0	FERMA VETRO INTERNO SUP. XVC204/304/504
87	VM1236A0	FERMA VETRO INTERNO INF. XVC204/304/504
88	VM1260A0	CURVA A 90° RACCORDO SCARICO
89	VE1360A0	TRASFORMATORE 230V - 12V 60VA
90	VM1465A0	COPERCHIO SONDA TEMPERATURA CHEFTOP
91	VM1505A0	PASSAPARETE CON DIAFRAMMA
92	VM250	MORSETT. A PETTINE
93	VM1130A0	MOTORE FORNO 330W 230V 50/60HZ
94	VN1030A3	VENTOLA D=196 H=81 39 PALE INOX DADO M8
95	VM1635A0	DISCO SUPPORTO MAGNETE
96	VT1105A0	VETRO INTERNO 633X767X6 BETFL XVC704
97	VT1106B0	VETRO ESTERNO SER. 647X890X4 CTFX XVC705
99	EL1210A0	RACCORDO J.GUEST TERMINALE DIRITTO
99	VM1490A0	COPRI VITI MANIGLIA CHEFTOP BAKERTOP
100	EL1020A0	RACCORDO INTERMEDIO "T" TUBO Ø8
101	VM1510A0	BOCCOLA SCANALATA PERNO PORTA XBC/XVC
102	VM1511A0	BOCCOLA USCIA PERNO PORTA CHEFTOP
103	VM1555A0	SUPPORTO VENTOLA RAFFREDDAMENTO CT-BT
104	VM1556A0	PROTEZIONE VENTOLA RAFFREDDAMENTO CT-BT
106	VM1566A0	PORTA BOBINA SUPERIORE VENTURI
108	GN1200A0	GUARNIZIONE D=24 RACCORDO 3/4 GOMMA+RETE
109	TB1926A0	TUBO SILICONE VENTURI D25 XVC715G
110	VN1120B0	VENTOLA RAFFREDDAMENTO 12V

## DESCRIPTION

1	OD1775A1	XVC315/515/715G STAINLESS STEEL COVER
2	OD1905A0	XVC705 STAINLESS STEEL LEFT SIDE PANEL
3	OD1906A0	XVC705 STAINLESS STEEL RIGHT SIDE PANEL
4	OF1390A0	XVC715G STAINLESS STEEL BACK PANEL
5	OG1425A0	XVC715G STAINLESS STEEL FAN GUARD
6	OG1325A1	XB-XV-XG ST. STEEL MUFFLE FRONT CORNER
7	OH1450A0	XB-XV-XG ST. STEEL MUFFLE FRONT CORNER
8	OH2551A0	XBC/XVC ST. STEEL COVER FOR DRAIN PIPE
9	OH2560A0	XBC/XVC ZINC PLAT. DOOR COUNTERBRACKET
10	TB1195A0	XVC705 ST. STEEL RIGHT DOOR COLUMN
11	TB1196A0	XVC705 ST. STEEL LEFT DOOR COLUMN
12	TB1220A0	XVC305/505/705 ST. STEEL DOOR UPPER BAR
13	TB1221A0	XVC305/505/705 ST. STEEL DOOR LOWER BAR
14	OH2650A0	XBC/XVC ST. STEEL INTERNAL GLASS HINGE
15	OH4310A0	MOLDED ST. STEEL HEAT-GUARD FOR PANEL
16	OH4305A1	ST. STEEL SEALING DISC FOR MOTOR SHAFT
17	OP1000A0	XVC3/5/715G ST. ST. EL. COMPONENTS PANEL
18	OH3980A0	ST. STEEL CHAMBER RIGHT HOLDING BRACKET
19	OH3981A0	ST. STEEL CHAMBER LEFT HOLDING BRACKET
20	CE116A1	EL CABLE 3x1.5 H07RN-F MT1,5+K2/3+SCHUKO
21	CE1310A1	POWER - CONTROL BOARD CONNECTING CABLE
22	CE1285A0	EMI ROUND FERRITE MOD.2643801502
23	CE1400A0	RJ45 - RJ45 CABLE L=0,5MT
24	ED1115A0	235X100 UNOX LABEL
25	EL1055A0	STRAIGHT REDUCTION FROM D=10 TO
26	EL1185A0	ELBOW CONNECTION J. GUEST Ø8 - Ø8
27	EL1195A0	ELBOW UNION WITH J.GUEST TERMINAL
28	EL1370A0	DYNAMIC PRESSURE REDUCER 2 Bar
29	EL1360A0	THREE-STAGE WATER SOLENOID VALVE
30	GN1000B0	BLACK DOOR SEAL 50 SHORE OVENS XB-XG-XV
31	GN1045A0	ANTIVIBR.SEAL FOR EXHAUST CHIMNEY
32	GN1326A0	ELEMENT SEALING 70X22X0,8
33	RS1215A0	147 W 105 V 1 TURN HEATING ELEMENT
34	GN1140A1	MOLDED MOTOR SUPPORT GASKET
35	GN1180A0	INTERNAL GLASS HINGE CARBOGRAPHITE
36	EL1252A0	ONE INLET WATER VALVE J.G.CONN.
37	GN1275A0	BLACK SILICON XBC/XVC CHIMNEY SEALING
38	GN1285A0	NTC TEMPERATURE PROBE SEALING
39	GRL1230A0	10 GN1/1 ST. STEEL RIGHT LATERAL SUPPORT
40	GRL1231A0	10 GN1/1 ST. STEEL LEFT LATERAL SUPPORT
41	PD1001A0	FOOT 35X35 H26 GREY PLASTIC+RUBBER
42	PE102	SUPPORT FOR CARD 24POT98
43	PE1710A0	MOTOR REVOLUTIONS SENSOR
44	PE1725A3	SERIES 5 CT. B.T. POWER CARD
45	PE1730B0	GAS GEARCASE CONTROL BOARD
46	EL1375A0	Ø8 MESH100 WATER FILTER
47	RC1170A1	STAINLESS STEEL NUT M14 H=8 CH=22
48	RC1210A1	3/4 FEM. UNION+ FILTER + NONRETURN VALVE
49	PE1740A0	CONTROL BOARD PE1705 + BOARD COVER
50	TB1815A0	WHITE PE PIPE 7,93X4,75
51	TB1060A1	STAINLESS STEEL INNER WATER TUBE D=16
52	TB1065A0	STAINLESS STEEL INNER RIGHT WATER
53	TB1515A0	STAINLESS STEEL EXTERNAL WATER
54	TB1600A0	EXTERNAL WATER PIPE + ST. STEEL JOINT
55	TF1010A0	TEFLON BUSHING FOR INTERNAL GLASS

**MOD: XVC715G**

Вип Общепит

EXPLODED VIEW  
DISEGNO ESPLOSO



vsezip.ru

DESCRIZIONE CODICI

+7(812)987-08-81