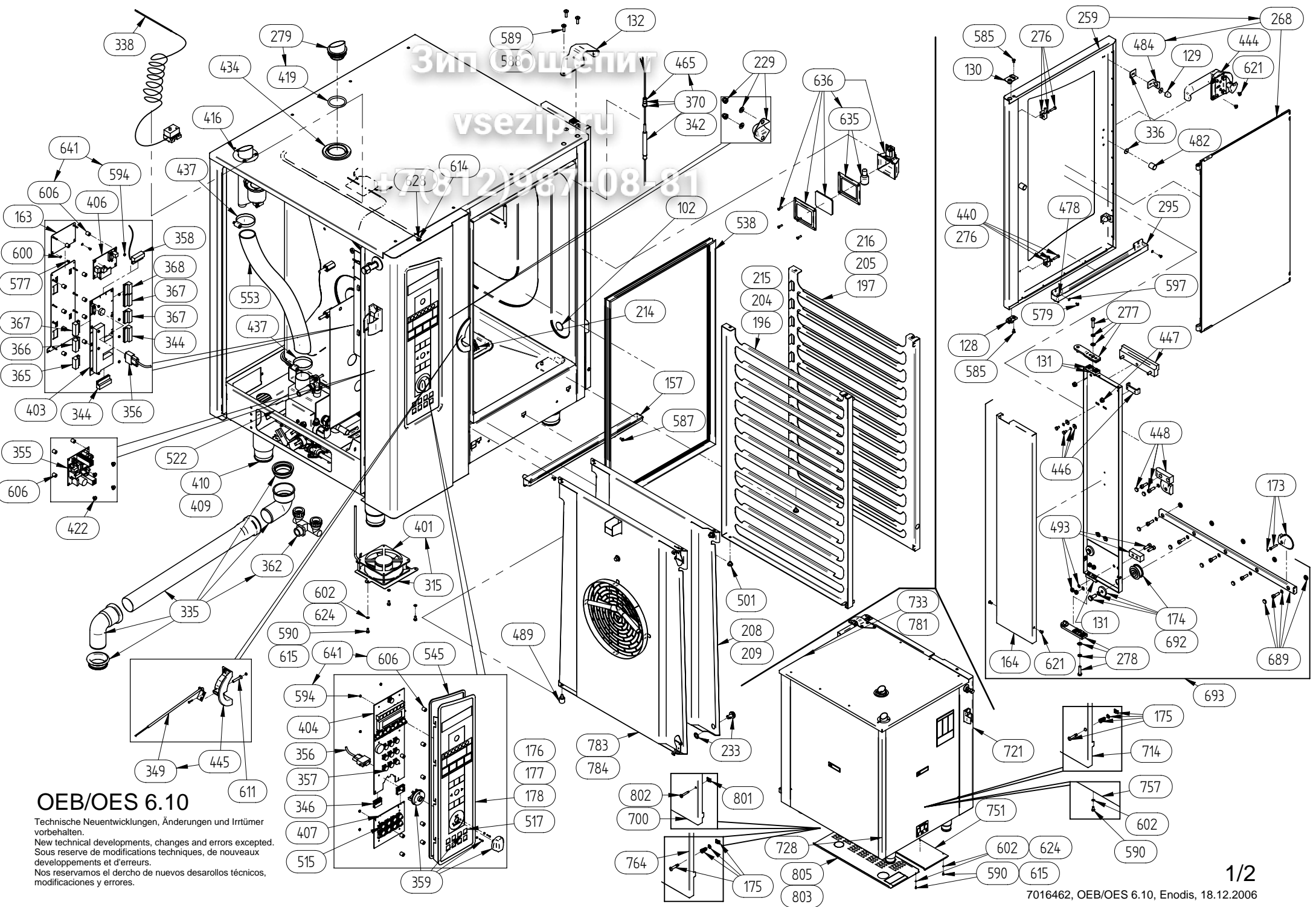


Зип-Сервис

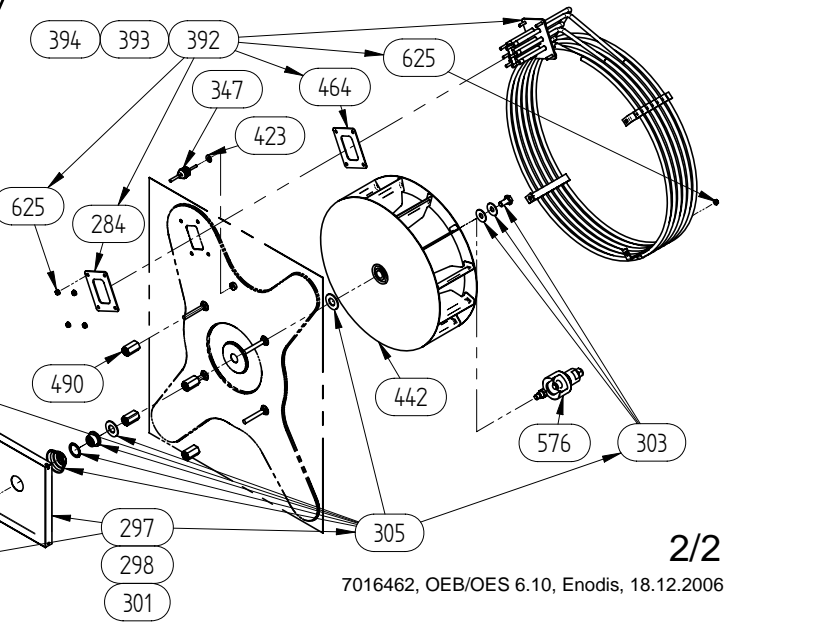
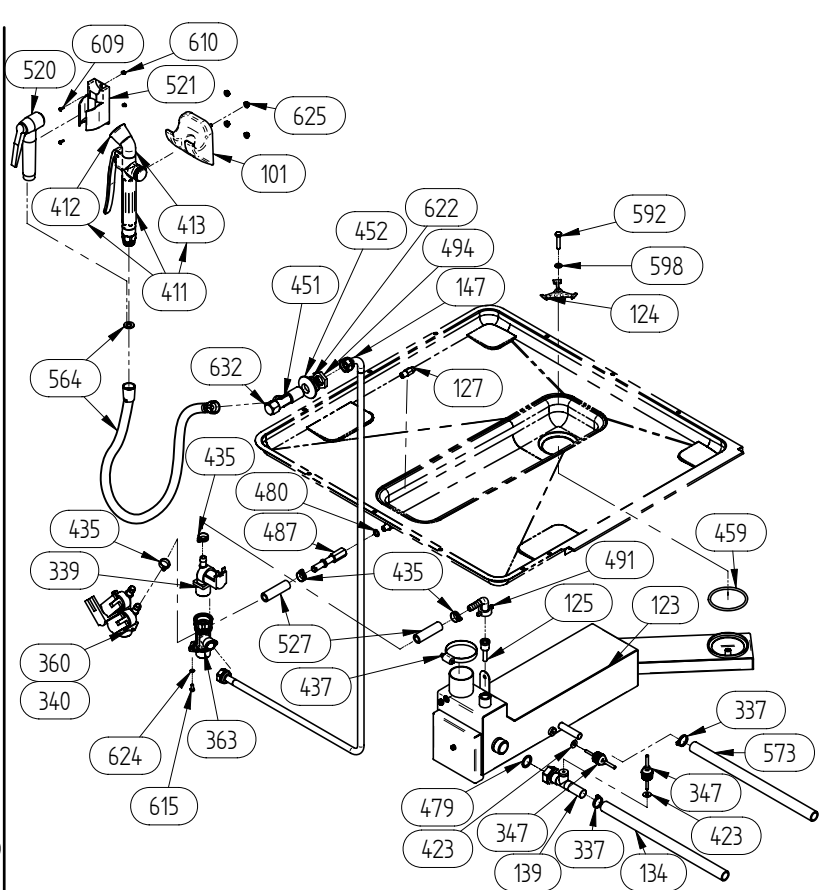
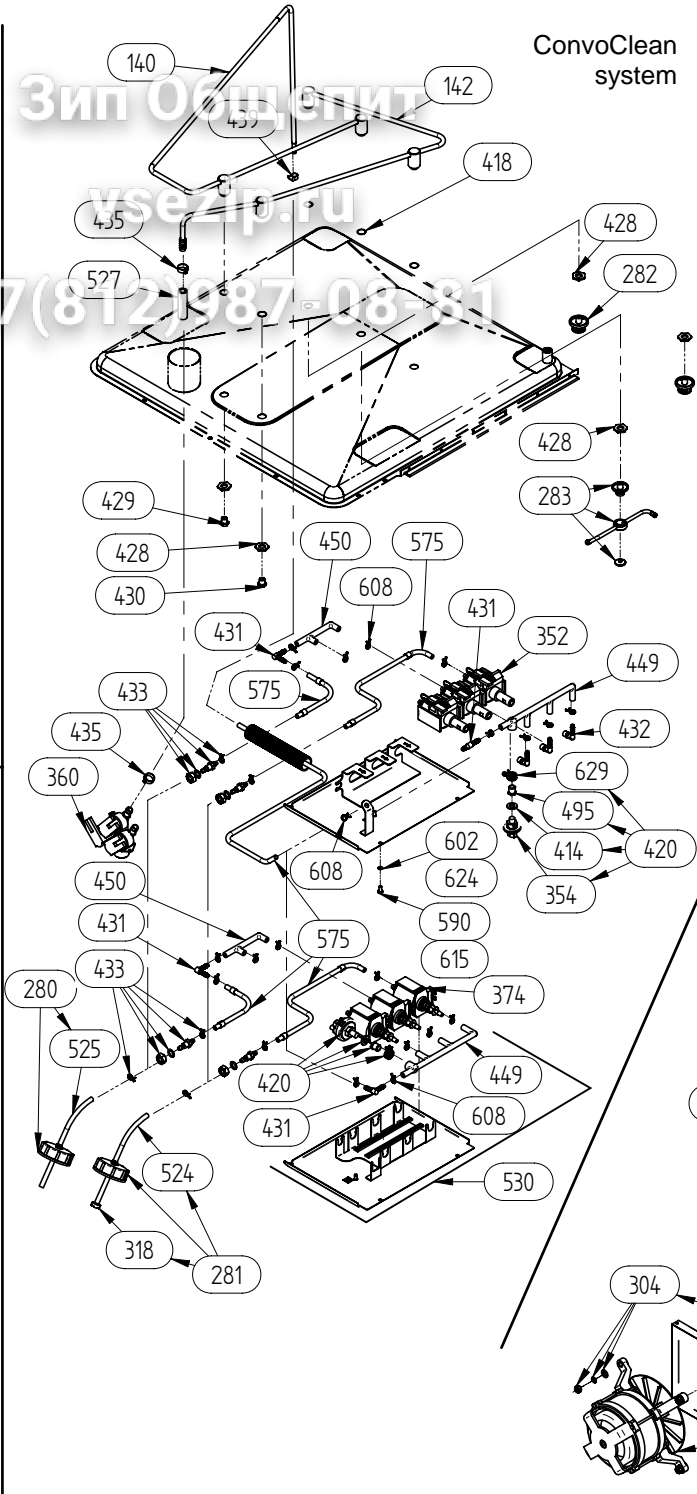
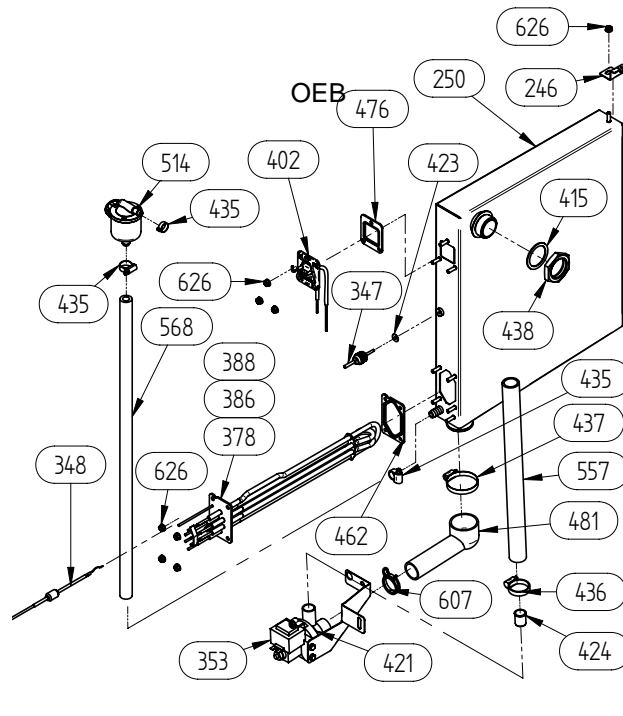
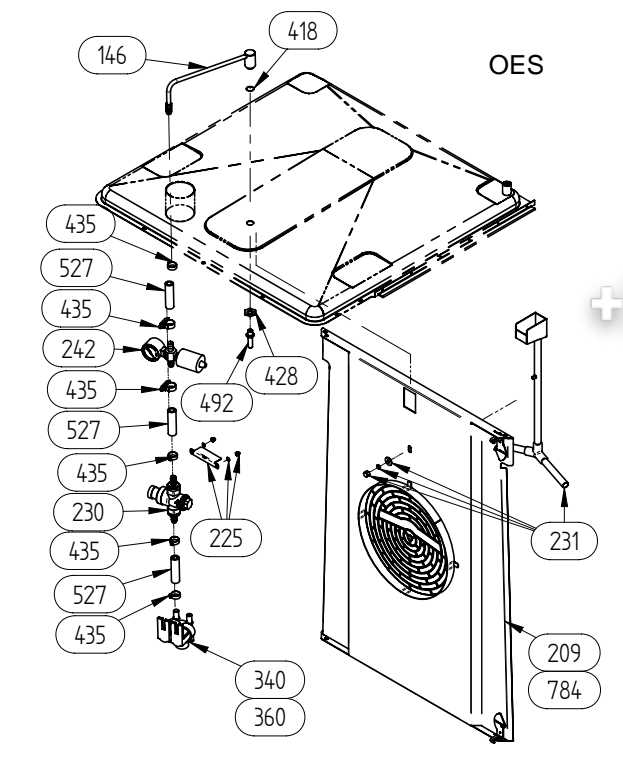
vsezip.ru

(812) 987-08-81



### OEB/OES 6.10

Technische Neuentwicklungen, Änderungen und Irrtümer vorbehalten.  
New technical developments, changes and errors excepted.  
Sous réserve de modifications techniques, de nouveaux développements et d'erreurs.  
Nos reservamos el derecho de nuevos desarrollos técnicos, modificaciones y errores.



Зип Обществу  
vsezip.ru  
+7(812)987-08-81

# Zip ОЩЕПИТ

7016462, Ersatzteilliste / spare parts OEB/OES 6.10, Enodis, 18.12.2006

| Pos | Art.-Nr | [->] | -->]      | deutsch  | english  |
|-----|---------|------|-----------|--|--|
| 101 | 2002042 |      | EB1BD0822 | Aufhängung f. Handbrause                                     | Hanger for hand shower P1 P2 P3                              |
| 101 | 2002042 |      | ES1BD1352 | Aufhängung f. Handbrause                                     | Hanger for hand shower P1 P2 P3                              |
| 102 | 2004035 |      |           | Halterung f. Kabel KTM-Fühler P2 P3                          | Mount for cable, core temperature sensor probe P2 P3         |
| 123 | 2012115 |      |           | Kondensator Tischgerät m Überlauf links kpl. P3              | Condenser, tabletop model with overflow on left complete P3  |
| 124 | 2012102 |      |           | Halter Kondensator P3  | Bracket, condenser P3  |
| 125 | 2012103 |      |           | Einsatzdüse Kondensator P3                                   | Nozzle, condenser P3   |
| 127 | 2013002 |      |           | Vollkegeldüse 45° 1/8" P3                                    | Full cone nozzle 45° 1/8" P3                                 |
| 128 | 2014003 |      |           | Rastplatte Oberteil Tür P3                                   | Retaining plate upper part door P3                           |
| 129 | 2014005 |      |           | Silikonfeder Tür P3  | Silicon spring door P3                                       |
| 130 | 2014007 |      |           | Scharnierplatte Unterteil kpl. P3                            | Lower hinge plate cpl. door P3                               |
| 131 | 2619152 |      |           | KD-Set Rasterklotz Schlittenplatte P3                        | Customer service set retaining block, sliding plate P3       |
| 132 | 2614740 |      |           | Führungsbügel Tischgeräte VST P3                             | Guide clip VST tabletop models P3                            |
| 134 | 2016000 |      |           | Silikonschlauch Bypass 6.10/10.10 P3                         | Silicon tube bypass 6.10/10.10 P3                            |
| 139 | 2016007 |      |           | Meßrohr P3   | Measurement pipe P3  |
| 140 | 2016018 |      |           | Rohrleitung Reiniger Decke 6.10/10.10 geschw. P3             | Pipeline cleaner cover x.10 welded 6.10/10.10 P3             |
| 142 | 2016020 |      |           | Rohrleitung Wasser X.10 geschw. P3                           | Pipeline water X.10 welded P3                                |
| 146 | 2016073 |      |           | Rohrleitung IN X.10 geschw P3                                | Pipeline IN X.10 welded P3                                   |
| 147 | 2016111 |      |           | Rohrleitung Handbrause 6.10/6.20 P3                          | Pipeline handshower 6.10/6.20 P3                             |
| 157 | 2018000 |      |           | Gerätetropfwanne 6.10/10.10 P3                               | Device drip pan 6.10/10.10 P3                                |
| 163 | 2114799 |      |           | Trägerblech KM geschw P3                                     | Support KM welded P3   |
| 164 | 2114815 |      |           | Verkleidungsblech VST 6.10 P3                                | Coating sheet VST 6.10 P3                                    |
| 173 | 2117280 |      |           | KD-Set Anschlagpuffer VST P3                                 | Customer service set for stop buffer VST P3                  |
| 174 | 2117291 |      |           | KD-Set Führungsrolle VST V-Form P3                           | Customer service set for guide roller VST P3                 |
| 175 | 2117299 |      |           | KD-Set Verschluss Abdeckung P3                               | Customer service set for cover seal P3                       |
| 176 | 2117300 |      |           | KD-Set Frontplatte OEB/OGB P3                                | Customer service set for front plate OEB/OGB P3              |
| 177 | 2117301 |      |           | KD-Set Frontplatte OES/OGS P3                                | Customer service set for front plate OES/OGS P3              |
| 178 | 2117302 |      |           | KD-Set Frontplatte OES/OGS Press & Go P3                     | Customer service set for front plate OES/OGS Press & Go P3   |
| 196 | 2214186 |      |           | Einhängegestell 6.10 links geschw P3                         | Rack 6.10 left welded P3                                     |
| 197 | 2216181 |      |           | Einhängegestell 6.10 rechts geschw P3                        | Rack 6.10 right welded P3                                    |
| 204 | 2216660 |      |           | Einhängegestell 6.10 BN links geschw. P3                     | Rack 6.10, left side, for sheets 40x60 cm                    |
| 205 | 2217060 |      |           | Einhängegestell 6.10 BN rechts geschw. P3                    | Rack 6.10, right side, for sheets 40x60 cm                   |
| 208 | 2216674 |      | EB1BL1715 | Ansaugblech EL DE 6.10 kpl P3                                | Suction panel EL DE 6.10 cpl P3                              |
| 209 | 2216675 |      | ES1BL2906 | Ansaugblech EL IN 6.10 kpl P3                                | Suction panel EL IN 6.10 cpl P3                              |
| 214 | 2216796 |      |           | Abdeckung Entfeuchtungsrinne kpl P3                          | Cover dehumidification channel cpl P3                        |
| 215 | 2217000 |      |           | Einhängegestell 6.10 CCS links geschw P3                     | Rack 6.10 CCS left welded P3                                 |
| 216 | 2217061 |      |           | Einhängegestell 6.10 CCS rechts geschw P3                    | Rack 6.10 CCS right welded P3                                |
| 225 | 2217276 |      |           | KD-Set Abschirmblech Garraumfühler 6.10 EL IN P3             | Service set screen plate for oven chamber sensor 6.10 EL IN  |
| 229 | 2217281 |      |           | KD-Set Bypass-Abdeckung P3                                   | Customer service set for bypass cover P3                     |
| 230 | 2217288 |      |           | KD-Set Druckregulierungsventil IN P3                         | Customer service set for pressure regulating valve IN P3     |
| 231 | 2217289 |      |           | KD-Set Einspritzverteiler 6.10 EL P3                         | Customer service set for G424 6.10 EL                        |
| 233 | 6002100 |      |           | Schnellverschluss-Ansaugblech                                | replacement quick fastener for suction panel                 |
| 242 | 2217332 |      |           | KD-Set Einspritzdüse 0,5 mm P3                               | Customer service set for fuel injection nozzle 0.5 mm P3     |
| 246 | 2314243 |      |           | DE EL/GAS Aufhängung Tischgeräte u. 12.20 P3                 | Steam generator EL/GAS suspension countertop models and 12.2 |
| 250 | 2317306 |      |           | KD-Set DE EL 6.10 P3   | Customer service set DE EL 6.10 P3                           |
| 259 | 2514350 |      |           | Tür 6.10 kpl P3  | Door 6.10 cpl P3   |
| 268 | 2518479 |      |           | KD-Set Innentür 6.10 P3                                      | Customer service set interior door 6.10 P3                   |
| 276 | 2517292 |      |           | KD-Set Innentürscharnier P3                                  | Customer service set for interior door hinge P3              |
| 277 | 2517296 |      |           | KD-Set Scharnier ob P3                                       | Customer service set for upper hinge P3                      |
| 278 | 2517297 |      |           | KD-Set Scharnier unt P3                                      | Customer service set for lower hinge P3                      |
| 279 | 2608962 |      |           | Unterdrucksicherung kpl                                      | Suction relief device complete P2 P3                         |
| 280 | 2609347 |      |           | Kanister-Saugschlauch Reiniger kpl                           | Suction tube for detergent                                   |
| 281 | 2609349 |      |           | Kanister-Saugschlauch Düsenspülung kpl                       | Suction tube for flushing agent                              |
| 282 | 2611010 |      |           | Sprinklerdüse geschweißst                                    | Sprinkler head welded  |
| 283 | 2611184 |      |           | Rotordüse kpl  | Rotor nozzle complete  |
| 284 | 2614253 |      |           | Gegenflansch für Rohrheizkörper Einzelring P3                | Counterflange for tubular heating element, single ring       |
| 295 | 2616469 |      |           | Türtropfwanne 6.10/10.10 kpl P3                              | Door drip tray 6.10/10.10 cpl P3                             |
| 297 | 2617282 |      |           | KD-Set Drehstrommotor 4/8pol 0,6kW 200-240V 60Hz/200V 50Hz P | Customer service set for 3-phase motor 4/8-pin 0.6kW 200-240 |
| 298 | 2617283 |      |           | KD-Set Drehstrommotor 4/8pol 0,6kW 380-415V 50Hz / 380-480V  | Customer service set for 3-phase motor 4/8-pin 0.6kW 380-415 |
| 301 | 2617286 |      |           | KD-Set Drehstrommotor 4pol 0,6kW alle Spannungen P3          | Customer service set for 3-phase motor 4-pin 0.6kW all volta |
| 303 | 2617293 |      |           | KD-Set Lüfterradbefestigung P3                               | Customer service set for fan wheel mounting P3               |
| 304 | 2617294 |      |           | KD-Set Motorbefestigung P3                                   | Customer service set for motor mounting P3                   |
| 305 | 2617295 |      |           | KD-Set Motorwellendichtung P3                                | Customer service set for motor shaft seal P3                 |
| 315 | 2216090 |      |           | Abdeckung Zuluftkasten mont P3                               | Cover, air inlet box assembled P3                            |
| 318 | 3007061 |      |           | Schmutzsieb für Convocare                                    | Filter for Convocare   |
| 335 | 3416730 |      |           | Wasserinstallationsset P3                                    | Water installation set P3                                    |
| 336 | 3417275 |      |           | Nachstellset Türdichtung P3                                  | Kit for adjusting door gasket P3                             |
| 337 | 4007007 |      |           | Kabelbinder 140 x 3,6; hitzebeständig bis 220°C              | Cable tie 140 x 3,6 heat resistant to 220°C                  |
| 338 | 5001041 |      |           | Sicherheits-Temperaturbegrenzer eigenbruchsicher 340°C       | Safety temperature limiter, internal breakage-proof          |
| 339 | 5001059 |      |           | Einfachmagnetventil 220/240V 50/60 Hz                        | Solenoid valve 220/240 V ODgas                               |
| 340 | 5001080 |      |           | Doppelmagnetventil 220-240V 50/60Hz                          | Double solenoid valve 220 - 240V 50Hz                        |
| 341 | 5002061 |      |           | KD-SET KTM-Dichtungssatz                                     | Customer service seal set for CTS                            |
| 342 | 2219137 |      |           | KD-Set KTM-Fühler Sous-Vide P3                               | Customer service set CTS probe "sous vide" P3                |
| 344 | 5002094 |      |           | Stecker X2 OSC, OSG, OSP P2 P3                               | Plug X2 OSC, OSG, OSP P2 P3                                  |
| 346 | 5002096 |      |           | Stecker X11, X12 Picto "Press and Go" P2 P3                  | Plug Picto "Press and Go" P2 P3                              |
| 347 | 5002100 |      |           | Thermoelementfühler 3050 mm P2 P3                            | Thermocouple probe 3050 mm P2 P3                             |
| 348 | 5002104 |      |           | STB Thermoelementfühler 2.80 m P2 P3                         | Safety temperature limiter (STB) thermocouple sensor 2.80m P |
| 349 | 5003075 |      |           | Türkontaktschalter berührungslos;28.57x19.05x6.35,2Langlöch. | Door magnet switch   |
| 352 | 5008011 |      |           | Pumpe für Garraumreinigung 200-240V P2 P3                    | Pump for auto cleaning 200-240V P2 P3                        |
| 353 | 5009070 |      |           | Fallzeitmessung mit 6-poliger Leiter 200-240V                | Drip time measurement with 6-pole conductor 200-240V         |

# Zip Ообщепит

7016462, Ersatzteilliste / spare parts OEB/OES 6.10, Enodis, 18.12.2006

| Pos | Art.-Nr | -->       | --> | deutsch   | english   |
|-----|---------|-----------|-----|---|---|
| 407 | 5019105 |           |     | Steuerung 5010 Press and Go-Modul P3                              | Control unit 5010 Press and Go-Modul P3                     |
| 409 | 6004039 |           |     | Stellfuß verstellbar 2" Schiffsausführung                         | Adjust. foot 2" Marine Version                              |
| 410 | 6004044 |           |     | Gerätefuß verstellbar 2" Metall                                   | Device foot, adjustable 2" metal P2 P3                      |
| 411 | 6005005 |           |     | Handbrause 1/2" Außengewinde                                      | Hand shower 1/2" outside thread                             |
| 412 | 6005006 |           |     | Brausekopf 3/8"   | Shower head 3/8"  |
| 413 | 6005007 |           |     | Winkel für Handbrause   | Bracket for hand shower                                     |
| 414 | 6005016 |           |     | Flachdichtung 10x19x2 mm Novopren s 80°C                          | Flat seal 10x19x2 mm OTC P2 P3                              |
| 415 | 6005025 |           |     | Flachdichtung 42,5 x 54 x 2 f. Dichtung                           | Flat seal 42,5 x 54x2 mm                                    |
| 416 | 6005048 |           |     | Membrantülle Ø 60 (DG 48), Polychloropren-Kautschuk, Stanz-060    | Membrane grommet DG 48 Ø60mm                                |
| 418 | 6005055 |           |     | Dichtring 14,5x20x2, best. geg. N. Wasser, Dampf, Gas; -55-+300°C | Sealing ring 14x20 copper nickel plated for heating element |
| 419 | 6005068 |           |     | O-Ring 42,5x5,33mm, Silikon Gummi                                 | O-ring 42,5x5,33mm  |
| 420 | 2619149 |           |     | KD-Set Druckschalter REI P3                                       | Customer service set, pressure switch REI P3                |
| 421 | 6005236 |           |     | O-Ring 53x3 f. Dampferzeuger Entleerungspumpe P2                  | O-Ring 53x3 for steam generator emptying pump P2            |
| 422 | 6005254 |           |     | Rändelmutter M3 P2  | Knurled nut M3 P2 P3  |
| 423 | 6005260 |           |     | Thermoelementfühler-Dichtung P2 P3                                | Thermocouple sensor seal P2 P3                              |
| 424 | 6005299 |           |     | Stützhülse DE-Pumpe P2 P3   | Support bushing steam generator pump P2 P3                  |
| 428 | 6005409 |           |     | Mutter für Düsenhalterung P2                                      | Nut for nozzle holder P2                                    |
| 429 | 6005412 |           |     | Düse 0,7 P2   | Nozzle 0,7 P2   |
| 430 | 6005413 |           |     | Düse 1,5 P2   | Nozzle 1,5 P2   |
| 431 | 6005414 |           |     | Winkel-Schlauchverbindungsstutzen 6mm                             | Hose coupling (elbow) 6mm                                   |
| 432 | 6005416 |           |     | Winkelanschlusstück 6x1/8" 90°                                    | Angle connector 6x1/8" 90° P2 P3                            |
| 433 | 2619150 |           |     | KD-Set Schottverschraubung P3                                     | Customer service set, bulkhead union P3                     |
| 434 | 6005427 |           |     | Membrantülle Ø83 (DG60)   | Membrane grommet Ø83 (DG60)                                 |
| 435 | 6006086 |           |     | Schlauchbinder 1/2" 12-20mm                                       | Hose clip 1/2" 12-20mm                                      |
| 436 | 6006087 |           |     | Schlauchbinder 25-40mm  | Hose clamp 25-40 mm P2/P3                                   |
| 437 | 6006089 |           |     | Schlauchbinder 40-60mm  | Hose clamp 40-60 mm P2/P3                                   |
| 438 | 6006092 |           |     | Sechskantmutter V2A R 1 1/4"                                      | Hexagon nut R 1 1/4" A2 P2 P3                               |
| 439 | 6006122 |           |     | Schlauchbinder 7-11mm ODgas                                       | Hose clamp 7-11 mm OD gas P2 P3                             |
| 440 | 2519151 |           |     | KD-Set Innentürschamier AS P3                                     | Customer service set for interior door hinge P3             |
| 442 | 6010001 |           |     | Ventilatorrad Ø 350x110 P3  | Fan wheel Ø 350x110 P3                                      |
| 444 | 6012000 |           |     | Drehhebelverschluss kpl. P3                                       | Rotating lever lock, complete P3                            |
| 445 | 6012001 |           |     | Kloben kpl. P3  | Block, complete P3  |
| 446 | 2619153 |           |     | KD-Set Türanschlag VST P3   | Customer service set, door stop VST P3                      |
| 447 | 2619154 |           |     | KD-Set Stützleiste VST P3   | Customer service set, support strip VST P3                  |
| 448 | 2619155 |           |     | KD-Set Führungsleiste unt VST P3                                  | Customer service set, guide strip, lower VST P3             |
| 449 | 6014000 |           |     | Schlauchanschluss Pumpen Druckseite P3                            | Hose connection, pump pressure side P3                      |
| 450 | 6014001 |           |     | Schlauchanschluss Pumpen Saugseite P3                             | Hose connection, pump suction side P3                       |
| 451 | 6014003 |           |     | Eckventil 1/2" x 1/2" P3  | Corner valve 1/2" x 1/2" P3                                 |
| 452 | 6014004 |           |     | Eckventil Zierblende P3   | Corner valve, ornamental cap P3                             |
| 459 | 6015000 |           |     | O-Ring 67x4 P3  | O-ring 67x4 P3  |
| 460 | 6015020 |           |     | Dichtung Garraumleuchte P3  | Seal for oven lamp P3                                       |
| 462 | 6015023 |           |     | Flachdichtung für Tauchheizkörper P3                              | Flat seal for immersion heating element P3                  |
| 464 | 6015025 |           |     | Flachdichtung f. Rohrheizkörper Einfachring P3                    | Flat seal for ring of heating element P3                    |
| 465 | 6015026 |           |     | Dichtung KTM-Durchführung P3 G                                    | Seal, core temperature sensor feed-through P3 G             |
| 476 | 6015040 |           |     | Flachdichtung für Doppelniveausonde P3                            | Flat seal for water level probe P3                          |
| 478 | 6015042 |           |     | Dichtungstülle Tropfwanne P3                                      | Sealing socket for drip tray P3                             |
| 479 | 6015060 |           |     | Kupfer-Dichtring vernickelt 18x24x1,5 P3                          | Copper seal ring nickel-plated 18x24x1.5 P3                 |
| 480 | 6015062 |           |     | Kupfer-Dichtring 10x14 vernickelt P3                              | Copper seal ring 10x14 nickel-plated P3                     |
| 481 | 6015100 |           |     | Ablaufwinkel für Dampferzeuger P3                                 | Elbow for steam generator drainage P3                       |
| 482 | 6015200 |           |     | Abstandshalter Tür P3   | Spacer for door P3  |
| 484 | 6015248 |           |     | Halteklammer Tür P3 Tischgerät                                    | Retaining clamp, door P3 countertop model                   |
| 487 | 6015205 |           |     | Schlauchanschluss Entfeuchtung P3                                 | Hose connection dehumidifier P3                             |
| 489 | 6015212 |           |     | Auflagestift Ansaugblech P3                                       | Support pin, intake panel P3                                |
| 490 | 6015213 |           |     | Abstandsbuchse Motor 33mm P3                                      | Spacer bushing, motor 33 mm P3                              |
| 491 | 6015215 |           |     | Winkel-Schlauchanschluss 3/8" m. Dichtung P3                      | Elbow hose connection 3/8" with seal                        |
| 492 | 6015216 |           |     | Düse IN P3  | Nozzle IN P3  |
| 493 | 2619156 |           |     | KD-Set Sicherungsklotz VST P3                                     | Customer service set, security block VST P3                 |
| 494 | 6015227 |           |     | Rohrmutter G 1/2" DIN 431 A2 P3                                   | Hexagon inch nut G 1/2" DIN 431 A2 P3                       |
| 495 | 6015229 |           |     | Gewindehülse Druckschalter P3                                     | Threaded bushing, pressure switch P3                        |
| 501 | 6015241 |           |     | Auflagestift EHG P3   | Support pin, EHG P3   |
| 514 | 6016500 |           |     | Rücksaugversicherung für DE kpl. P3                               | Back absorption safety device for steam generator cpl. P3   |
| 515 | 6016517 |           |     | Tasterkappe grau Press and Go P3                                  | Push button cap grey Press and Go P3                        |
| 517 | 6019020 |           |     | Press and Go Symbole P3   | Symbols for Press and Go P3                                 |
| 520 | 6011010 | EB1BD0823 |     | Handbrause Tischgeräte P3   | Hand shower, table top units P3                             |
| 520 | 6011010 | ES1BD1353 |     | Handbrause Tischgeräte P3   | Hand shower, table top units P3                             |
| 521 | 6011012 | EB1BD0823 |     | Aufhängung Handbrause Tischgerät P3                               | Holder for hand shower, table top units P3                  |
| 521 | 6011012 | ES1BD1353 |     | Aufhängung Handbrause Tischgerät P3                               | Holder for hand shower, table top units P3                  |
| 522 | 7001066 |           |     | Kantenschutzprofil 9+6 Klemmber 0.8-1 PVC m. Metallklemmb/nd.     | Edge protector with metal insert P2 P3                      |
| 524 | 7002006 |           |     | PVC-Wasserschlauch ohne Einlagen Polyform 6/2                     | PVC hose without lining polyform 6/2                        |
| 525 | 7002002 |           |     | PVC-Wasserschlauch ohne Einlagen rot Polyform 6/2                 | PVC hose without lining, red polyform 6/2                   |
| 527 | 7002033 |           |     | Heisswasserschlauch 3/8" P2 P3                                    | Water hose for hot water 3/8" P2 P3                         |
| 528 | 3417550 |           |     | Überlaufset P3  | Overflow set P3   |
| 530 | 2617250 |           |     | KD-Set Reinigerpumpeneinheit 230V P3                              | Customer service set, cleaner pump unit 230V P3             |
| 538 | 7011001 |           |     | Türdichtung 6.10 P3   | Door gasket 6.10 P3   |
| 545 | 7011010 |           |     | Dichtung Frontplatte P3   | Gasket front cover P3                                       |
| 553 | 7012010 |           |     | Abluftschlauch 6.10 P3  | Air outlet hose 6.10 P3                                     |
| 557 | 7012014 |           |     | Kühlerschlauch für Pumpe 400 mm lang P3                           | Radiator hose for pump 330 mm long P3                       |
| 564 | 7012070 |           |     | Brauseschlauch 6.10/6.20 P3                                       | Shower hose 6.10/6.20 P3                                    |

# Zip ОЩЕПИТ

7016462, Ersatzteilliste / spare parts OEB/OES 6.10, Enodis, 18.12.2006

| Pos | Art.-Nr | -->        | -->        | deutsch  | english  |
|-----|---------|------------|------------|--|--|
| 626 | 8017011 |            |            | Sperrzahnmutter M6 A4 P3                                     | Lock washer M6 A4 P3                                     |
| 628 | 8019004 |            |            | Kappe Verschlusschraube P3                                   | Cap screw plug P3  |
| 629 | 8019010 |            |            | Drahtschelle D.16 P3   | Wire clamp D.16 P3                                       |
| 632 | 6014006 |            |            | Drehkappe für Eckventil 1/2" x 1/2" P3                       | Turncap for Corner Valve 1/2" x 1/2" P3                  |
| 635 | 2618779 |            |            | KD-Set Glühlampe 230V/25W P3                                 | Customer service set, light bulb 230V/25W P3             |
| 636 | 2618780 |            |            | KD-Set Garraumleuchte kpl P3                                 | Customer service set, oven light complete P3             |
| 641 | 2618785 |            |            | KD-Set Befestigung Steuerring P3                             | CS Set Control ring attachment P3                        |
| 689 | 2619138 |            |            | KD-Set Führungsschiene VJT 30x16 6.10/10.10 P3               | Customer service set, guide rail VST 30x16 6.10/10.10 P3 |
| 692 | 2619141 |            |            | KD-Set Führungsrolle VST 30x16 P3                            | Customer service set, guide roller VST 30x16 P3          |
| 693 | 2619142 |            |            | KD-Set VST 6.10 kpl P3                                       | Customer service set, VST 6.10 complete P3               |
| 700 | 2114741 |            | EB1BE0959  | Abdeckung hi EL/GAS IN 6.10 kpl P3                           | Cover, rear EL/GAS IN 6.10 complete P3                   |
| 700 | 2114741 |            | ES1BE1517  | Abdeckung hi EL/GAS IN 6.10 kpl P3                           | Cover, rear EL/GAS IN 6.10 complete P3                   |
| 714 | 2114781 |            | EB1BE0959  | Abdeckung li 6.10 kpl P3                                     | Cover, left 6.10 complete P3                             |
| 714 | 2114781 |            | ES1BE1517  | Abdeckung li 6.10 kpl P3                                     | Cover, left 6.10 complete P3                             |
| 721 | 2115441 |            |            | Frontteil 6.10 vormont P3                                    | Front piece 6.10 preassembled P3                         |
| 728 | 2114632 |            |            | Eckteil hi li 6.10 P3  | Corner piece, rear left 6.10 P3                          |
| 733 | 2114700 |            | EB1BL1719  | Außendecke EL 6.10/10.10 P3                                  | Outer cover EL 6.10/10.10 P3                             |
| 733 | 2114700 |            | ES1BL2998  | Außendecke EL 6.10/10.10 P3                                  | Outer cover EL 6.10/10.10 P3                             |
| 751 | 2114508 |            |            | Abdeckung Pumpenausschnitt P3                                | Cover pump cutout P3                                     |
| 757 | 2117411 | EB1BE0960  |            | Abdeckung li gesteckt 6.10 kpl P3                            | Cover, left inserted 6.10 complete P3                    |
| 757 | 2117411 | ES1BE1518  |            | Abdeckung li gesteckt 6.10 kpl P3                            | Cover, left inserted 6.10 complete P3                    |
| 764 | 2117431 | EB1BE0960  |            | Abdeckung hi gesteckt EL/GAS IN 6.10 kpl P3                  | Cover, rear inserted EL/GAS IN 6.10 complete P3          |
| 764 | 2117431 | ES1BE1518  |            | Abdeckung hi gesteckt EL/GAS IN 6.10 kpl P3                  | Cover, rear inserted EL/GAS IN 6.10 complete P3          |
| 781 | 2118227 | EB1BL1720  |            | Außendecke EL int 6.10/10.10 P3                              | Outer cover EL int 6.10/10.10 P3                         |
| 781 | 2118227 | ES1BL2999  |            | Außendecke EL int 6.10/10.10 P3                              | Outer cover EL int 6.10/10.10 P3                         |
| 783 | 2218078 | EB1BL1716  |            | Ansaugbl. RV EL DE 6.10 kpl P3                               | Suction panel RV EL DE 6.10 complete P3                  |
| 784 | 2218075 | ES1BL2907  |            | Ansaugbl. RV EL IN 6.10 kpl P3                               | Suction panel RV EL IN 6.10 complete P3                  |
| 801 | 8009022 |            |            | Blechmutter 14x11 Gewinde 4,8                                | Plate nut 14x11 screw 4.8                                |
| 802 | 8012003 |            |            | Linien-Blechschräube 4.8x32 DIN7981 A2 P3                    | Pan-headed tapping screw 4.8x32 DIN7981 A2 P3            |
| 803 | 2114627 |            | app. 01/07 | Bodenklappe Kondensator P3                                   | Bottom flap, condenser P3                                |
| 805 | 2119228 | app. 01/07 |            | Bodenklappe Kondensator m Überlauf links P3                  | Bottom flap, condenser with overflow left P3             |
| 902 | 3007029 |            |            | Convocare Leerkanister 10 L                                  | Convocare empty canister 10 L                            |
| 903 | 6009016 |            |            | Kunststoffbuchstabe "C" rot, 90x62x2mm,ABS-orange*PH-AT 337" | Plastic letter "C", red (Red C) P2                       |
| 904 | 6019104 |            |            | Aufkleber: Wasserqualität und Anschluss P3                   | Sticker: Water quality and connection, P3                |
| 905 | 6019106 |            |            | Aufkleber: Gasdaten P3                                       | Sticker: Gas data, P3                                    |
| 906 | 6019107 |            |            | Aufkleber: manuelle Reinigung P3                             | Sticker: Manual Cleaning, P3                             |
| 907 | 7002024 |            |            | Fettablaufschlauch 1" für Hähnchen-Ausführung                | Grease drain hose 1" for chicken version                 |
| 908 | 7003066 |            |            | Dichtungsband 9x3 EPDM                                       | Sealing tape 9x3 EPDM P2 P3                              |
| 909 | 7003087 |            |            | Fettkartusche 400gr. V-Tyre OD                               | Grease cartridge 400 gr. front doors OD P2 P3            |
| 910 | 7004012 |            |            | Sicherungsmittel Loctite Typ 243e                            | Loctite 243 10ml P3                                      |
| 911 | 7004013 |            |            | Schraubensicherungslack                                      | Screw lock varnish P2 P3                                 |
| 912 | 7004020 |            |            | Silikonkleber E 43   | Silicon adhesive E 43 90 ml P2 P3                        |
| 914 | 7014003 |            |            | Loctite 8001 - Schmiermittel P3                              | Loctite 8001 - lubricant P3                              |
| 915 | 3019007 |            |            | KD-Set Wasseranalysegerät                                    | Customer service set, water analysis device              |
| 916 | 5019200 |            |            | USB Konverter auf seriell RS232 P3                           | USB converter to serial RS232 P3                         |

Technische Neuentwicklungen, Änderungen und Irrtümer vorbehalten.

New technical developments, changes and errors excepted.

# Zip Ощепит

7016462, Ersatzteilliste / spare parts OEB/OES 6.10, Enodis, 18.12.2006

| Pos | Art.-Nr | [->]      | -->]      | français   | español   |
|-----|---------|-----------|-----------|--|---|
| 101 | 2002042 |           |           | Porte douche   | Soporte de ducha de mano  |
| 101 | 2002042 |           | ES1BD1352 | Porte douche   | Soporte de ducha de mano  |
| 102 | 2004035 |           |           | Support pour câble sonde à cœur P2P3                           | Soporte para cable de sonda para temperatura central P2 P3      |
| 123 | 2012115 |           |           | Condensateur modèle sur table avec trop-plein à gauche cpl. P3 | Condensador aparato sobremesa desbord. izq. cpl. P3             |
| 124 | 2012102 |           |           | Accroche pour condensateur P3                                  | Soporte para condensador P3                                     |
| 125 | 2012103 |           |           | Tuyère pour condensateur P3                                    | Tobera para condensador P3                                      |
| 127 | 2013002 |           |           | Tuyère de cône 45° 1/8" P3                                     | Tobera de cono 45° 1/8" P3                                      |
| 128 | 2014003 |           |           | Plaque butée supérieure pour porte F3                          | Plancha de fijación superior para puerta P3                     |
| 129 | 2014005 |           |           | Ressort silicone pour porte P3                                 | Muelle silicon para puerta P3                                   |
| 130 | 2014007 |           |           | Cintre de charnière bas cpl. porte P3                          | Plancha de bisagra de puerta abajo P3                           |
| 131 | 2619152 |           |           | Kit SAV bloc de grille pour plaque glissière P3                | Juego serv. técnico bloque de retícula para placa deslizante P3 |
| 132 | 2614740 |           |           | Barre guide pour porte escamotable modèle sur table P3         | Estríbo de guía para aparato sobremesa VST P3                   |
| 134 | 2016000 |           |           | Flexible silicone bypass 6.10/10.10 P3                         | Bypass de manguera de silicona 6.10/10.10 P3                    |
| 139 | 2016007 |           |           | Tube de mesure P3  | Tubo de medición P3   |
| 140 | 2016018 |           |           | Conduit nettoyant x.10 soudé 6.10/10.10 P3                     | Tubería limpiador x.10 soldado 6.10/10.10 P3                    |
| 142 | 2016020 |           |           | Conduit eau X.10 soudé P3                                      | Tubería agua X.10 soldado P3                                    |
| 146 | 2016073 |           |           | Conduit IN X.10 soudé P3                                       | Tubería IN X.10 soldado P3                                      |
| 147 | 2016111 |           |           | Conduit douche 6.10/6.20 P3                                    | Tubería ducha de mano 6.10/6.20 P3                              |
| 157 | 2018000 |           |           | Bac collecte d'eau 6.10/10.10 P3                               | Bandeja de recogida 6.10/10.10 P3                               |
| 163 | 2114799 |           |           | Soutien KM soudé P3  | Soporte KM soldado P3   |
| 164 | 2114815 |           |           | Tôle de coffrage porte escamotable 6.10 P3                     | Chapa de revestimiento VST 6.10 P3                              |
| 173 | 2117280 |           |           | Kit SAV tampon de butée porte escamotable P3                   | Juego serv. técnico tampón VST P3                               |
| 174 | 2117291 |           |           | Kit SAV galet de guidage porte escamotable P3                  | Juego serv. técnico rodillo guía VST P3                         |
| 175 | 2117299 |           |           | Kit SAV fermeture couvercle P3                                 | Juego serv. técnico cierre cubierta P3                          |
| 176 | 2117300 |           |           | Kit SAV plaque frontale OEB/OGB P3                             | Juego serv. técnico panel frontal OEB/OGB P3                    |
| 177 | 2117301 |           |           | Kit SAV plaque frontale OES/OGS P3                             | Juego serv. técnico panel frontal OES/OGS P3                    |
| 178 | 2117302 |           |           | Kit SAV plaque frontale OES/OGS Press & Go P3                  | Juego serv. técnico panel frontal OES/OGS Press & Go P3         |
| 196 | 2214186 |           |           | Glissière 6.10 gauche soudée P3                                | Bastidor de suspensión 6.10 izquierda soldado P3                |
| 197 | 2216181 |           |           | Glissière 6.10 droite soudée P3                                | Bastidor de suspensión 6.10 derecha soldado P3                  |
| 204 | 2216660 |           |           | Glissière 6.10 BN gauche soudée P3                             | Bastidor de suspensión 6.10, izquierda 40x60 cm                 |
| 205 | 2217060 |           |           | Glissière 6.10 BN droite soudée P3                             | Bastidor de suspensión 6.10, derecha 40x60 cm                   |
| 208 | 2216674 | EB1BL1715 |           | Grille de protection du ventilateur EL DE 6.10 cpl P3          | Chapa de aspiración EL DE 6.10 cpl P3                           |
| 209 | 2216675 | ES1BL2906 |           | Grille de protection du ventilateur EL IN 6.10 cpl P3          | Chapa de aspiración EL IN 6.10 cpl P3                           |
| 214 | 2216796 |           |           | Bride déshumidification cpl P3                                 | Cubierta deshumectación cpl P3                                  |
| 215 | 2217000 |           |           | Glissière 6.10 CCS gauche soudée P3                            | Bastidor de suspensión 6.10 CCS izquierda soldado P3            |
| 216 | 2217061 |           |           | Glissière 6.10 CCS droite soudée P3                            | Bastidor de suspensión 6.10 CCS derecha soldado P3              |
| 225 | 2217276 |           |           | Kit SAV tôle de protection pour sonde cuisson 6.10 EL IN P3    | Juego serv. técnico chapa protectora sonda horno 6.10 EL IN     |
| 229 | 2217281 |           |           | Kit SAV cache de bypass P3                                     | Juego serv. técnico cubierta bypass P3                          |
| 230 | 2217288 |           |           | Kit SAV régulateur de pression IN P3                           | Juego serv. técnico válvula reguladora de presión IN P          |
| 231 | 2217289 |           |           | Kit SAV répartiteur d'injection 6.10 EL P3                     | Juego serv. técnico distribuidor de inyección 6.10 EL           |
| 233 | 6002100 |           |           | set de fermeture rapide pur grille de protection               | Cierre rápido para chapa de aspiración                          |
| 242 | 2217332 |           |           | Kit SAV tuyère d'aspersion 0.5 mm P3                           | Juego serv. técnico boquilla de inyección 0,5 mm P3             |
| 246 | 2314243 |           |           | Générateur de vapeur EL/GAZ suspension modèles table et 12.2   | Generador de vapor EL/GAS soporte unidades mesa y 12.2 P3       |
| 250 | 2317306 |           |           | Kit SAV GV EL 6.10 P3  | Juego serv. técnico gv EL 6.10 P3                               |
| 259 | 2514350 |           |           | Porte 6.10 cpl P3  | Puerta 6.10 cpl P3  |
| 268 | 2518479 |           |           | Kit SAV porte intérieure 6.10 P3                               | Juego serv. técnico puerta interior 6.10 P3                     |
| 276 | 2517292 |           |           | Kit SAV charnière de porte intérieure P3                       | Juego serv. técnico bisagra de puerta interior P3               |
| 277 | 2517296 |           |           | Kit SAV charnière sup. P3                                      | Juego serv. técnico bisagra sup. P3                             |
| 278 | 2517297 |           |           | Kit SAV charnière inf. P3                                      | Juego serv. técnico bisagra inf. P3                             |
| 279 | 2608962 |           |           | Reniflard cpl  | Válvula de depresión cpl  |
| 280 | 2609347 |           |           | Tuyau flexible d'aspiration pour nettoyeur                     | Manguera de aspiración para compartimento limpiador             |
| 281 | 2609349 |           |           | Tuyau flexible d'aspiration pour agent de rinçage              | Manguera de aspiración para compartimento abrillantador         |
| 282 | 2611010 |           |           | Tête automatique d'extinction soud.                            | Cabeza automática de extinción sold.                            |
| 283 | 2611184 |           |           | Tuyère rotorique cpl.  | Boquilla del rotor cpl  |
| 284 | 2614253 |           |           | Contre-bride pour élément chauffant tubulaire-anneau simple    | Contrabrida para calentador tubular anillo individual P3        |
| 295 | 2616469 |           |           | Bac de récupération de porte 6.10/10.10 cpl. P3                | Cubeta recogedora de la puerta 6.10/10.10 cpl. P3               |
| 297 | 2617282 |           |           | Kit SAV moteur triphasé 4/8p6l 0.6kW 200-240V 60Hz/200V 50Hz   | Juego serv. técnico motor trifásico 4/8 polos 0.6kW 20          |
| 298 | 2617283 |           |           | Kit SAV moteur triphasé 4/8p6l 0.6kW 380-415V 50Hz/380-480V 6  | Juego serv. técnico motor trifásico 4/8 polos 0.6kW 38          |
| 301 | 2617286 |           |           | Kit SAV moteur triphasé 4p6l 0.6kW toutes tensions P3          | Juego serv. técnico motor trifásico 4 polos 0.6kW toda          |
| 303 | 2617293 |           |           | Kit SAV fixation d'hélice de ventilateur P3                    | Juego serv. técnico fijación del rodete de ventilador           |
| 304 | 2617294 |           |           | Kit SAV fixation moteur P3                                     | Juego serv. técnico fijación del motor P3                       |
| 305 | 2617295 |           |           | Kit SAV joint arbres moteur P3                                 | Juego serv. técnico junta árbol motor P3                        |
| 315 | 2216090 |           |           | Couvercle boîtier air d'alimentation                           | Cubierta caja de entrada de aire mont P3                        |
| 318 | 3007061 |           |           | Filtre pour Convocare  | Filtro para Convocare   |
| 335 | 3416730 |           |           | Kit d'installation d'eau P3                                    | Juego de instalación de agua P3                                 |
| 336 | 3417275 |           |           | Kit pour régler joint de porte P3                              | Kit para ajustar junta de puerta P3                             |
| 337 | 4007087 |           |           | Attache cables 140x3.6   | Cinta de sujeción para cables 140 x 3.6 resistente a la ca      |
| 338 | 5001041 |           |           | Thermostat sécurité résistant à l'écrasement 340°C             | Termostato seguridad resistente a la fractura 340°C             |
| 339 | 5001059 |           |           | Electrovanne simple 220-240V                                   | Válvula magnética   |
| 340 | 5001080 |           |           | Electrovanne double 200-240V 50Hz                              | Válvula magnética doble 200-240V 50Hz                           |
| 341 | 5002061 |           |           | Kit SAV jeu de joints sonde à cœur                             | Juego serv. técnico de juego de juntas para sonda t. central    |
| 342 | 2219137 |           |           | Kit SAV sonde à cœur sous-vide P3                              | Juego serv. técnico sonda de temperatura central "sous-vide" P3 |
| 344 | 5002094 |           |           | Connecteur X2 OSC, OSG, OSP P2 P3                              | Connector X2 OSC, OSG, OSP P2 P3                                |
| 346 | 5002096 |           |           | Connecteur Picto "Press and Go" P2 P3                          | Conector Picto "Press and Go" P2 P3                             |
| 347 | 5002100 |           |           | Thermocouple sonde 3050 mm P2 P3                               | Termoelemento sonda 3050 mm P2 P3                               |
| 348 | 5002104 |           |           | Securite thermique thermocouple sonde 2.80 m P2 P3             | Limitador de seguridad la termoelemento sonda 2.80 m P2 P3      |
| 349 | 5003075 |           |           | Interrupteur magnétique de porte                               | Interruptor magnético de puerta                                 |
| 352 | 5008011 |           |           | Pompe pour nettoyage de l'éincinte de cuisson P2 P3            | Bomba para limpieza de la zona de coccion P2 P3                 |
| 353 | 5009070 |           |           | Bombe d'extinction pour cuissons, chaudière 300-240V           | Bomba para extinción para cocinas, caldera 300-240V             |

# Zip ОЩЕПИТ

7016462, Ersatzteilliste / spare parts OEB/OES 6.10, Enodis, 18.12.2006

| Pos | Art.-Nr | [->]      | -->] | français   | español  |
|-----|---------|-----------|------|--|--|
| 407 | 5019105 |           |      | Commande électronique 5010 Press and Go-Modul P3             | Manojo 5010 Press and Go-Modul P3                                  |
| 409 | 6004039 |           |      | Pied réglable en hauteur 2" mital avec bride de fixation a   | Pie regulable para versión de barco con placa de brida a ato       |
| 410 | 6004044 |           |      | Pied réglable  | Pie regulable  |
| 411 | 6005005 |           |      | Douchette 1/2"   | Ducha de mano 1/2"   |
| 412 | 6005006 |           |      | Tête de douchette 3/8"                                       | Cabezal rociador 3/8"  |
| 413 | 6005007 |           |      | Angle pour douchette   | Angulo para ducha de mano  |
| 414 | 6005016 |           |      | Joint plat 10x19x2mm OD                                      | Junta plana 10x19x2mm OD   |
| 415 | 6005025 |           |      | Joint plat 42,5x54x2mm P3                                    | Junta plana 42,5x54x2mm P3   |
| 416 | 6005048 |           |      | Joint de cheminée Ø 60mm                                     | Manguito de membrana Ø 60mm  |
| 418 | 6005055 |           |      | Joint en cuivre nickelé pour resistance circulaire 14x20     | Junta tórica para calefacción de aire caliente niquelada 14x       |
| 419 | 6005068 |           |      | Joint torique 42,5x5,33mm                                    | Anillo tórico 43,82x5,33 P2 P3                                     |
| 420 | 2619149 |           |      | Kit SAV interrupteur manométrique                            | Juego serv. técnico interruptor pulsante REI P3                    |
| 421 | 6005236 |           |      | Joint torique 53x3 pour pompe d'évacuation P2                | Junta tórica 53x3 para bomba evacuación P2                         |
| 422 | 6005254 |           |      | Écrou moleté M3 P2   | Tuerca moleteada M3 P2   |
| 423 | 6005260 |           |      | Joint pour thermocouple sonde P2 P3                          | Obturación para termoelemento sonda P2 P3                          |
| 424 | 6005299 |           |      | Gaine de protection pompe GV P2 P3                           | Casquillo de apoyo bomba GV P2 P3                                  |
| 428 | 6005409 |           |      | Écrou pour fixation tuyère P2                                | Tuerca para fijación para hilera P2                                |
| 429 | 6005412 |           |      | Tuyère 0,7 P2  | Tobera 0,7 P2  |
| 430 | 6005413 |           |      | Tuyère 1,5 P2  | Tobera 1,5 P2  |
| 431 | 6005414 |           |      | Raccord pour tuyaux (angle) 6mm                              | Unión de mangueras (ángulo) 6mm                                    |
| 432 | 6005416 |           |      | Embout coude 6x1/8" 90°                                      | Codo de expalme 6x1/8" 90°   |
| 433 | 2619150 |           |      | Kit SAV raccord passe-cloison P3                             | Juego serv. técnico racor de paso del mamparo P3                   |
| 434 | 6005427 |           |      | Joint de cheminée Ø83 (DG60)                                 | Manguito de membrana Ø83 (DG60)                                    |
| 435 | 6006086 |           |      | Collier de serrage 1/2" 12-20mm P2/P3                        | Cinta de sujeción para mangueras 1/2" 12-20mm P2/P3                |
| 436 | 6006087 |           |      | Collier de serrage 25-40mm P2/P3                             | Cinta de sujeción para mangueras 25-40mm P2/P3                     |
| 437 | 6006089 |           |      | Collier de serrage 40-60mm P2/P3                             | Cinta de sujeción para mangueras 40-60mm P2/P3                     |
| 438 | 6006092 |           |      | Écrou hexagonal R 1 1/4" A2 P2 P3                            | Tuerca hexagonal R 1 1/4" A2 P2 P3                                 |
| 439 | 6006122 |           |      | Collier de serrage 7-11mm ODgaz P2 P3                        | Cinta de sujeción para mangueras 7-11mm ODgaz P2 P3                |
| 440 | 2519151 |           |      | Kit SAV charnière de porte intérieure AS P3                  | Juego serv. técnico bisagra de puerta interior P3                  |
| 442 | 6010001 |           |      | Hélice de ventilateur Ø 350x110 P3                           | Rueda de ventilador Ø 350x110 P3                                   |
| 444 | 6012000 |           |      | Poignée de porte P3 cpl.                                     | Empuñadura P3 cpl.   |
| 445 | 6012001 |           |      | Valet de porte P3 cpl.                                       | Gozne de puerta P3 cpl.  |
| 446 | 2619153 |           |      | Kit SAV cale-porte escamotable P3                            | Juego serv. técnico tope de puerta VST P3                          |
| 447 | 2619154 |           |      | Kit SAV listel de support porte escamotable P3               | Juego serv. técnico regleta de apoyo VST P3                        |
| 448 | 2619155 |           |      | Kit SAV listel de guidage inf. porte escamotable P3          | Juego serv. técnico regleta de guía VST P3                         |
| 449 | 6014000 |           |      | Raccord de tuyau pompe côté refoulement P3                   | Empalme de manguera lado de impulsión P3                           |
| 450 | 6014001 |           |      | Raccord de tuyau pompe côté admission P3                     | Empalme de manguera lado de succión P3                             |
| 451 | 6014003 |           |      | Soupape d'équerre 1/2" x 1/2" P3                             | Válvula angular 1/2" x 1/2" P3                                     |
| 452 | 6014004 |           |      | Soupape d'équerren enjoliveur P3                             | Válvula angular, embellecedor P3                                   |
| 459 | 6015000 |           |      | Joint torique 67x4 P3  | Junta tórica 67x4 P3   |
| 460 | 6015020 |           |      | Joint pour enceinte de cuisson P3                            | Junta para luz del horno P3  |
| 462 | 6015023 |           |      | Joint plat pour thermoplongeur P3                            | Junta plana para calentador de inmersión P3                        |
| 464 | 6015025 |           |      | Joint plat pour chaînon d'élément de chauffe P3              | Junta plana para anillo de radiador tubular P3                     |
| 465 | 6015026 |           |      | Joint version STC P3 G                                       | Junta paso sonda de temperatura central P3 G                       |
| 476 | 6015040 |           |      | Joint plat pour sonde de niveau P3                           | Junta plana para sonda de nivel P3                                 |
| 478 | 6015042 |           |      | Douille d'étanchéité bac de récupération P3                  | Boquilla de obturación cubeta recuperadora de gotas P3             |
| 479 | 6015060 |           |      | Joint en cuivre nickelé 18x24x1.5 P3                         | Junta en cobre niquelado 18x24x1.5 P3                              |
| 480 | 6015062 |           |      | Joint en cuivre 10x14 P3                                     | Junta en cuivre 10x14 P3   |
| 481 | 6015100 |           |      | Coude d'écoulement pour chaudière à vapeur P3                | Codo de purga para generador de vapor P3                           |
| 482 | 6015200 |           |      | Écarteur pour porte P3                                       | Distanciador para puerta P3  |
| 484 | 6015248 |           |      | Etrier de retenue pour porte P3 modèle sur table             | Grapa retén puerta P3 aparato sobremesa                            |
| 487 | 6015205 |           |      | Raccord de tuyau de déshumidification P3                     | Empalme de manguera deshumidificación P3                           |
| 489 | 6015212 |           |      | Appui tôle d'aspiration P3                                   | Soporte lámina de aspiración P3                                    |
| 490 | 6015213 |           |      | Douille d'écartement 33mm P3                                 | Casquillo distanciador motor 33mm P3                               |
| 491 | 6015215 |           |      | Angle raccord de tuyau 3/8"                                  | Ángulo empalme de manguera 3/8"                                    |
| 492 | 6015216 |           |      | Injecteur IN P3  | Boquilla IN P3   |
| 493 | 2619156 |           |      | Kit SAV bloc de sécurité porte escamotable P3                | Juego serv. técnico taco de seguridad VST P3                       |
| 494 | 6015227 |           |      | Écrou hexagonal inch G 1/2" DIN 431 A2 P3                    | Tuerca hexagonal inch G 1/2" DIN 431 A2 P3                         |
| 495 | 6015229 |           |      | Douille Interrupteur manométrique P3                         | Casquillo roscado interruptor de presión P3                        |
| 501 | 6015241 |           |      | Broche d'appui EHG P3  | Pasador de apoyo EHG P3  |
| 514 | 6016500 |           |      | Absorption retour dispositif pour générateur de vapeur cpl.P | Reabsorción dispositivo de seguridad para vaporizador P3           |
| 515 | 6016517 |           |      | Capuchon pour insert, gris Press and Go P3                   | Capuchón de tecla, gris Press and Go P3                            |
| 517 | 6019020 |           |      | Symboles pour Press and Go P3                                | Symbolos para Press and Go P3                                      |
| 520 | 6011010 | EB1BD0823 |      | Douchette modèles sur table P3                               | Ducha de mano aparatos sobremesa P3                                |
| 520 | 6011010 | ES1BD1353 |      | Douchette modèles sur table P3                               | Ducha de mano aparatos sobremesa P3                                |
| 521 | 6011012 | EB1BD0823 |      | Porte douchette modèles sur table P3                         | Soporte ducha de mano aparatos sobremesa P3                        |
| 521 | 6011012 | ES1BD1353 |      | Porte douchette modèles sur table P3                         | Soporte ducha de mano aparatos sobremesa P3                        |
| 522 | 7001066 |           |      | Protection de coin avec insert métallique P2 P3              | Cantонера zona apriete 9+6, 0.8-1, PVC con inserto metálico        |
| 524 | 7002006 |           |      | Tuyau d'eau PVC sans insert polyform 6/2                     | Manguera de agua en PVC sin pieza intercalada, poliform. 6/2       |
| 525 | 7002002 |           |      | Tuyau d'eau PVC sans insert rouge polyform 6/2               | Manguera de agua en PVC sin pieza intercalada, rojo, poliform. 6/2 |
| 527 | 7002033 |           |      | Tuyau d'eau chaude 3/8" P2 P3                                | Manguera de agua caliente 3/8" P2 P3                               |
| 528 | 3417550 |           |      | Kit trop-plein P3  | Juego de desbordamiento P3   |
| 530 | 2617250 |           |      | Kit SAV pompe détergent 230V P3                              | Juego serv. técnico unidad limpiadora de la bomba 230 V P3         |
| 538 | 7011001 |           |      | Joint de porte 6.10 P3                                       | Junta de puerta 6.10 P3  |
| 545 | 7011010 |           |      | Joint platine avant P3                                       | Junta panel frontal P3   |
| 553 | 7012010 |           |      | Tuyau d'évacuation d'air 6.10 P3                             | Manguera de salida de aire 6.10 P3                                 |
| 557 | 7012014 |           |      | Tuyau de refroidissement de pompe 330mm de long P3           | Manguera de refrigerador para bomba, largo 330 mm P3               |
| 564 | 7012070 |           |      | Gaine douchette 6.10/6.20 P3                                 | Manguera de ducha 6.10/6.20 P3                                     |

# Зип Общепит

7016462, Ersatzteilliste / spare parts OEB/OES 6.10, Enodis, 18.12.2006

| Pos | Art.-Nr | -->        | -->        | français   | español  |
|-----|---------|------------|------------|--|--|
| 626 | 8017011 |            |            | Cliquet écrou M6 A4 P3                                       | Tuerca con apoyo de dientes de bloqueo M6 A4 P3            |
| 628 | 8019004 |            |            | Capuchon vis d'obturation P3                                 | Caperuzas tornillo de cierre P3                            |
| 629 | 8019010 |            |            | Bride metalique D.16 P3                                      | Abrazadera metalica D.16 P3                                |
| 632 | 6014006 |            |            | Chape Soupape d'équerre 1/2" x 1/2" P3                       | Caperuza válvula angular 1/2" x 1/2" P3                    |
| 635 | 2618779 |            |            | Kit SAV ampoule électrique 230V/25W P3                       | Juego serv. técnico lámpara incandescente 230V/25W P3      |
| 636 | 2618780 |            |            | Kit SAV éclairage enceinte de cuisson complet P3             | Juego serv. técnico luz para área de cocción compl. P3     |
| 641 | 2618785 |            |            | Kit SAV fixation commande P3                                 | Juego serv. técnico sujeción de mando P3                   |
| 689 | 2619138 |            |            | Kit SAV guide rail porte escamotable 30x16 6.10 10 P3        | Juego serv. técnico carr. guía VST 30x16 6.10/10.10 P3     |
| 692 | 2619141 |            |            | Kit SAV galet de guidage porte escamotable 30x16 P3          | Juego serv. técnico rodillo guía VST 30x16 P3              |
| 693 | 2619142 |            |            | Kit SAV porte escamotable 6.10 cpl. P3                       | Juego serv. técnico 6.10 cpl P3                            |
| 700 | 2114741 |            | EB1BE0959  | Couvercle AR EL/GAZ IN 6.10 cpl. P3                          | Cubierta tras EL/GAS IN 6.10 cpl P3                        |
| 700 | 2114741 |            | ES1BE1517  | Couvercle AR EL/GAZ IN 6.10 cpl. P3                          | Cubierta tras EL/GAS IN 6.10 cpl P3                        |
| 714 | 2114781 |            | EB1BE0959  | Couvercle gauche 6.10 cpl. P3                                | Cubierta izq 6.10 cpl P3                                   |
| 714 | 2114781 |            | ES1BE1517  | Couvercle gauche 6.10 cpl. P3                                | Cubierta izq 6.10 cpl P3                                   |
| 721 | 2115441 |            |            | Plaque frontale 6.10 préassemblée P3                         | Parte frontal 6.10 vormont P3                              |
| 728 | 2114632 |            |            | Pièce d'angle AR gauche 6.10 P3                              | Esquina tras izq 6.10 P3                                   |
| 733 | 2114700 |            | EB1BL1719  | Couvercle extérieur EL 6.10/10.10 P3                         | Cubierta externa EL 6.10/10.10 P3                          |
| 733 | 2114700 |            | ES1BL2998  | Couvercle extérieur EL 6.10/10.10 P3                         | Cubierta externa EL 6.10/10.10 P3                          |
| 751 | 2114508 |            |            | Couvercle section de pompe P3                                | Cubierta sección de bomba P3                               |
| 757 | 2117411 |            | EB1BE0960  | Couvercle gauche enfoncé 6.10 cpl. P3                        | Cubierta izq insertada 6.10 cpl P3                         |
| 757 | 2117411 |            | ES1BE1518  | Couvercle gauche enfoncé 6.10 cpl. P3                        | Cubierta izq insertada 6.10 cpl P3                         |
| 764 | 2117431 |            | EB1BE0960  | Couvercle AR enfoncé EL/GAZ IN 6.10 cpl. P3                  | Cubierta tras insertada EL/GAS IN 6.10 cpl P3              |
| 764 | 2117431 |            | ES1BE1518  | Couvercle AR enfoncé EL/GAZ IN 6.10 cpl. P3                  | Cubierta tras insertada EL/GAS IN 6.10 cpl P3              |
| 781 | 2118227 |            | EB1BL1720  | Couvercle extérieur EL int 6.10/10.10 P3                     | Cubierta externa EL int 6.10/10.10 P3                      |
| 781 | 2118227 |            | ES1BL2999  | Couvercle extérieur EL int 6.10/10.10 P3                     | Cubierta externa EL int 6.10/10.10 P3                      |
| 783 | 2218078 |            | EB1BL1716  | Grille de protection du ventilateur RV EL DE 6.10 cpl. P3    | Chapa aspir. RV EL DE 6.10 cpl P3                          |
| 784 | 2218075 |            | ES1BL2907  | Grille de protection du ventilateur RV EL IN 6.10 cpl. P3    | Chapa aspir. RV EL IN 6.10 cpl P3                          |
| 801 | 8009022 |            |            | Ecrou de tôle 14x11 filetage 4,8                             | Tuerca de chapa 14x11 rosca 4,8                            |
| 802 | 8012003 |            |            | Vis autotaraudeuse à tête bombée 4,8x32 DIN7981 A2 P3        | Tornillo de chapa avellanado 4,8x32 DIN7981 A2 P3          |
| 803 | 2114627 |            |            | Trappe au sol condensateur P3                                | Cubierta del fondo del condensador P3                      |
| 805 | 2119228 | app. 01/07 | app. 01/07 | Trappe au sol condensateur avec trop-plein gauche P3         | Cubierta del fondo condensador con rebose izq P3           |
| 902 | 3007029 |            |            | Convocare bidon vide 10 L                                    | Convocare bidón vacío 10 L                                 |
| 903 | 6009016 |            |            | Logo "C" rouge 90x62x2mm                                     | Letra "C" de plástico roja 90x62x2mm                       |
| 904 | 6019104 |            |            | Autocollant: Qualité de l'eau et raccord, P3                 | Etiqueta: Calidad de agua y conexión, P3                   |
| 905 | 6019106 |            |            | Autocollant: Données de gaz, P3                              | Etiqueta: Datos de gas, P3                                 |
| 906 | 6019107 |            |            | Autocollant: Nettoyage manuel, P3                            | Etiqueta: Limpieza manual, P3                              |
| 907 | 7002024 |            |            | Tuyau d'évacuation des graisses 1" pour version petit robine | Manguera de salida de grasa 1" para la versión para pollos |
| 908 | 7003066 |            |            | joint pour carte électronique 9x3                            | Cinta de obturación 9x3                                    |
| 909 | 7003087 |            |            | Cartouche à graisse 400 g portes frontales OD P2 P3          | Cartucho de grasa 400g. Puerta V OD P2 P3                  |
| 910 | 7004012 |            |            | Loctite Typ 243  | Loctite 243 10ml P2/P3                                     |
| 911 | 7004013 |            |            | Vernis de sécurité pour vis                                  | Laca de bloqueo P2 P3                                      |
| 912 | 7004020 |            |            | Tube de colle Silicone E 43                                  | Cola de silicona E 43                                      |
| 914 | 7014003 |            |            | Loctite 8001 - graisse P3                                    | Loctite 8001 - Lubricante P3                               |
| 915 | 3019007 |            |            | Kit SAV pour appareil d'analyse de l'eau                     | Juego serv. técnico para aparato de análisis de agua       |
| 916 | 5019200 |            |            | Convertisseur USB à RS232 P3                                 | Convertidor USB para RS232 P3                              |

Sous réserve de modifications techniques, de nouveaux développements et d'erreurs.

Nos reservamos el derecho de nuevos desarrollos técnicos, modificaciones e errores.



Зип Общепит

vsezip.ru

+7(812)987-08-81



Talstr. 35

82436 Eglfing

Tel. +49 8847 67

Fax +49 8847 67

[www.convotherm.com](http://www.convotherm.com)

Elektro-Dok

electrical-d

Schutzvermerk nach DIN 34 beachten !

|                                   |                   |
|-----------------------------------|-------------------|
| Stromlaufplan<br>wiring diagram   | : 5315563         |
| Montageplatte<br>electric box     | : 5115752         |
| Gerätetyp<br>type                 | : OES 6.10        |
| Spannung<br>voltage               | : 3/PE ~ 200-240V |
| Frequenz<br>frequency             | : 50/60Hz         |
| Nennleistung<br>power consumption | : 11,7kW          |
| Nennstrom<br>current              | : 27,2A           |

Schutzvermerk nach DIN 34 beachten !

mm<sup>2</sup>

BK 10  
BK 10  
BK 10

Зип Ощепит

vsezip.ru

+7(812)987-08-81

-K0  
D8



BK 4

-F1.1:1 /3.A1

BK 4

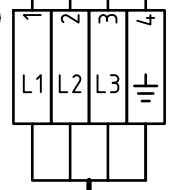
BK 10  
BK 10  
BK 10



-F1.2  
2A  
10



-X10

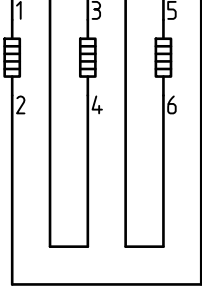


RD 0,75

-K4  
D6



-E4  
+OES  
10,5kW  
26,4A



-X12  
PE



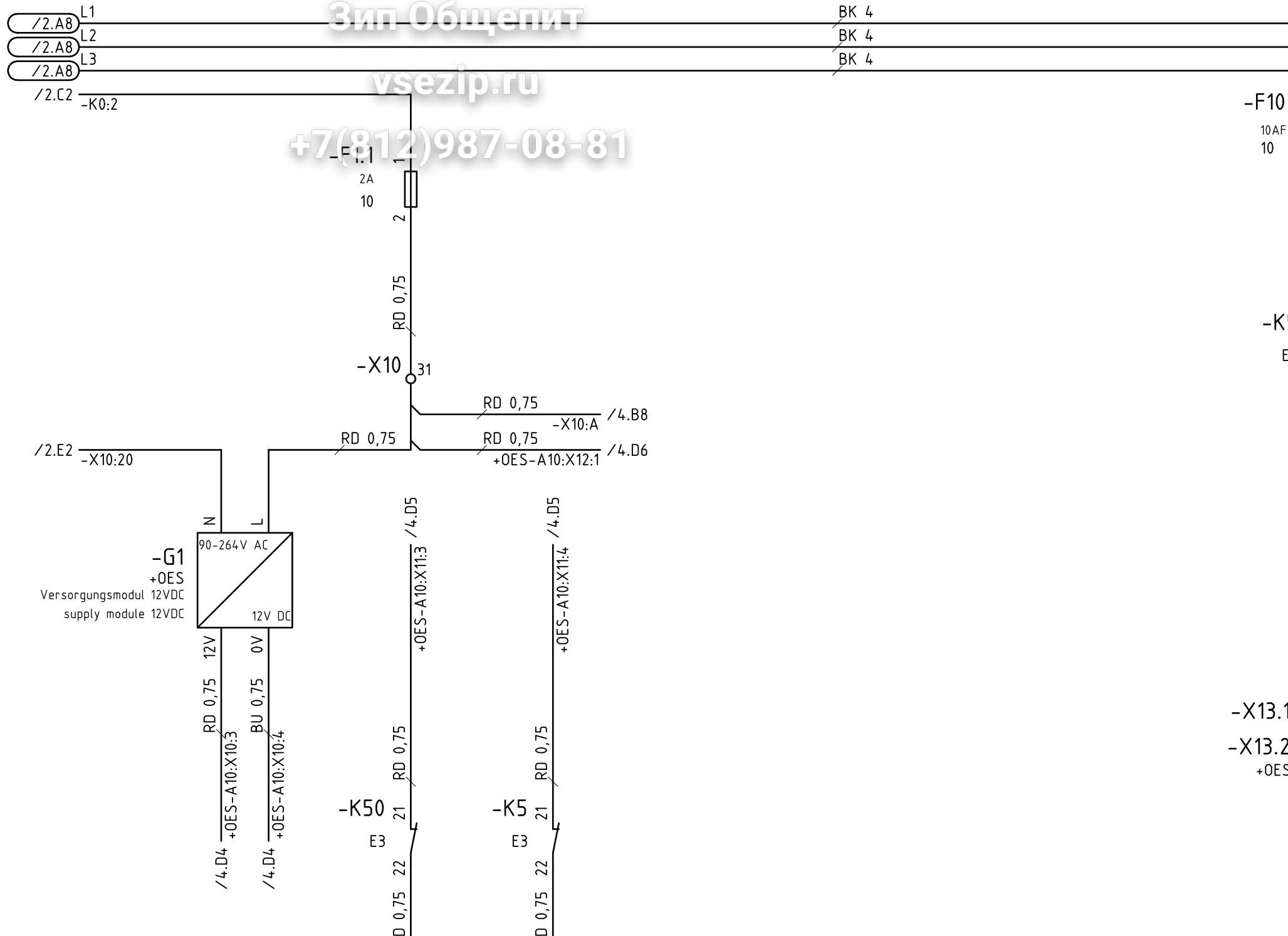
-K4  
A1  
A2



Зип Общепит

vsezip.ru

+7(812)987-08-81



Schutzvermerk nach DIN 34 beachten !

mm²

A

B

C

D

-F10

10AF  
10

-K5

E3

-X13.1

-X13.2

+OES

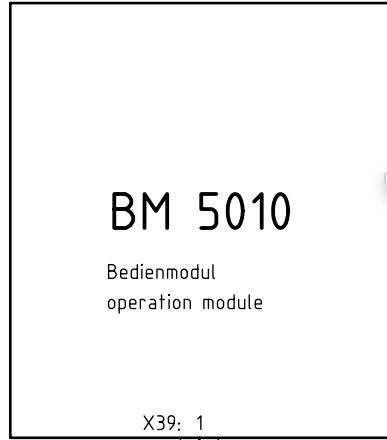
Зип Ощепит  
vsezip.ru

+7(812)987-08-81

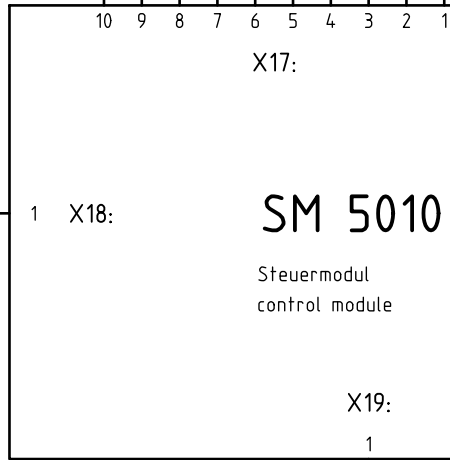
Schutzvermerk nach DIN 34 beachten !

mm<sup>2</sup>

-A11  
+OES



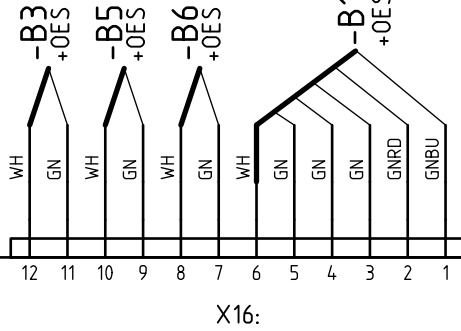
-A10  
+OES



Verbindungskabel SM auf BM Steuerung 500

-W1  
+OES

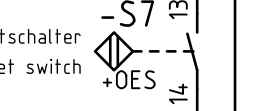
Fühler Kondensator  
probe condenser  
Fühler Bypass  
probe bypass  
Fühler Garraum  
probe oven



KTM  
CTC

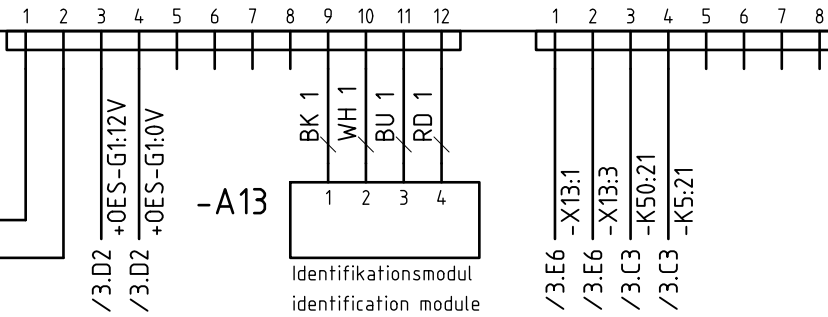
Wasserdruk  
water pressure

Türkontaktschalter  
door magnet switch



X10:

X11:



-F2.1  
1A  
10

RD 0,75

0,75

0,75

0,75

# Ersatzteilliste/spare parts list/Ersatzteilliste F/Ersatzteilli

| Nr. | Betriebsmittel/operating material/Betriebsmittel F/Betriebsmittel S |  | Bezeichnung                              | description                              | Bez                   |
|-----|---|--|--|--|-----------------------|
|     | Artikelnummer/part number/Artikelnummer F/Artikelnummer S           |  |  |  |                       |
|     | Darstellung/presentation/Darstellung F/Darstellung S                |  |  |  |                       |
| 1   | <b>+OES-A10</b>   |  | Steuerung 5010 Steuermodul SM P3         | electronic board 5010 SM P3              | commande électronique |
|     | 5019100   |  |  |  |                       |
|     | /4.D3   |  |  |  |                       |
| 2   | <b>+OES-A11</b>   |  | Steuerung 5010 Bedienmodul BM P3         | electronic board 5010 BM P3              | commande électronique |
|     | 5019101   |  |  |  |                       |
|     | /4.B2   |  |  |  |                       |
| 3   | <b>+MP-A13</b>  |  | Steuerung 5010 Identifikationsmodul IDM  | electronic board 5010 IDM P3             | commande électronique |
|     | 5019102   |  |  |  |                       |
|     | /4.D4   |  |  |  |                       |
| 4   | <b>+OES-B3</b>  |  | Thermoelementfühler OSC/OSP 3050 mm P2   | temperature probe PT100                  | sonde de temperatur   |
|     | 5002100   |  |  |  |                       |
|     | /4.B3   |  |  |  |                       |
| 5   | <b>+OES-B5</b>  |  | Thermoelementfühler OSC/OSP 3050 mm P2   | temperature probe PT100                  | sonde de temperatur   |
|     | 5002100   |  |  |  |                       |
|     | /4.B4   |  |  |  |                       |
| 6   | <b>+OES-B6</b>  |  | Thermoelementfühler OSC/OSP 3050 mm P2   | temperature probe PT100                  | sonde de temperatur   |
|     | 5002100   |  |  |  |                       |
|     | /4.B4   |  |  |  |                       |
| 7   | <b>+OES-B7</b>  |  | Sicherheits-Temperaturbegrenzer          | Safety thermostat self fracture          | Thermostat sécurité   |
|     | 5001041   |  |  |  |                       |
|     | /2.C8   |  |  |  |                       |
| 8   | <b>+OES-B10</b>   |  | Kerntemperatur-Meßfühler 4 Pkt. Ni-Cr-Ni | multi point CTC probe                    | Sàc des multi points  |
|     | 5002068   |  |  |  |                       |
|     | /4.B4   |  |  |  |                       |
| 9   | <b>+OES-E4</b>  |  | Rohrheizkörper 350er LR 10,5 kW 230V P3  | heating element 350er LR 10,5 kW 230V P3 | resistance circulaire |
|     | 5017019   |  |  |  |                       |
|     | /2.C6   |  |  |  |                       |
| 10  | <b>+MP-F1.1</b>   |  | Feinsicherung 2A träge                   | glass fuse 2A                            | fusible 2A            |
|     | 4005066   |  |  |  |                       |
|     | /3.A3   |  |  |  |                       |
| 11  | <b>+MP-F1.1</b>   |  | Zackband flach unbedruckt                | sticker flat not printed (8,2)           | vignette plaine pas   |
|     | 4014038   |  |  |  |                       |
|     | /3.A3   |  |  |  |                       |
| 12  | <b>+MP-F1.1</b>   |  | Zugfeder-Drehsicherungsklemme            | cage clamp terminal block (5x20)         | pince ressort de tra  |
|     | 4014036   |  |  |  |                       |
|     | /3.A3   |  |  |  |                       |
| 13  | <b>+MP-F1.2</b>   |  | Feinsicherung 2A träge                   | glass fuse 2A                            | fusible 2A            |
|     | 4005066   |  |  |  |                       |
|     | /2.C2   |  |  |  |                       |
| 14  | <b>+MP-F1.2</b>   |  | Zackband flach unbedruckt                | sticker flat not printed (8,2)           | vignette plaine pas   |
|     | 4014038   |  |  |  |                       |
|     | /2.C2   |  |  |  |                       |
| 15  | <b>+MP-F1.2</b>   |  | Zugfeder-Drehsicherungsklemme            | cage clamp terminal block (5x20)         | pince ressort de tra  |
|     | 4014036   |  |  |  |                       |
|     | /2.C2   |  |  |  |                       |
| 16  | <b>+MP-F2.1</b>   |  |  |  |                       |

Schutzvermerk nach DIN 34 beachten !

Вит Общепит  
 vsezip.ru  
 +7(812)987-08-81

# Ersatzteilliste/spare parts list/Ersatzteilliste F/Ersatzteilli

| Nr. | Betriebsmittel/operating material/Betriebsmittel F/Betriebsmittel S |  | Bezeichnung                              | description                              | Bez                   |
|-----|---|--|--|--|-----------------------|
|     | Artikelnummer/part number/Artikelnummer F/Artikelnummer S           |  |  |  |                       |
|     | Darstellung/presentation/Darstellung F/Darstellung S                |  |  |  |                       |
| 21  | <b>+MP-F10</b>  |  | Zugfeder-Drehsicherungsklemme            | cage clamp terminal block (6,3x32)       | pince ressort de tra  |
|     | 4014037   |  |  |  |                       |
|     | /3.A6   |  |  |  |                       |
| 22  | <b>+MP-FK0</b>  |  | RC-Glied 110-240V                        | interference filter 110-240V             | filtre antiparasite 1 |
|     | 4011004   |  |  |  |                       |
|     | /2.D8   |  |  |  |                       |
| 23  | <b>+MP-FK4</b>  |  | RC-Glied 110-240V                        | interference filter 110-240V             | filtre antiparasite 1 |
|     | 4011004   |  |  |  |                       |
|     | /2.D6   |  |  |  |                       |
| 24  | <b>+MP-FK5</b>  |  | RC-Glied 110-240V                        | interference filter 110-240V             | filtre antiparasite 1 |
|     | 4011004   |  |  |  |                       |
|     | /3.E3   |  |  |  |                       |
| 25  | <b>+MP-FK50</b>   |  | RC-Glied 110-240V                        | interference filter 110-240V             | filtre antiparasite 1 |
|     | 4011004   |  |  |  |                       |
|     | /3.E3   |  |  |  |                       |
| 26  | <b>+MP-FY1</b>  |  | Entstörfilter-Magnetventil 240V          | Interference filter f.solenoid valve     | filtre antiparasite e |
|     | 4001075   |  |  |  |                       |
|     | /4.E5   |  |  |  |                       |
| 27  | <b>+OES-G1</b>  |  | Steuerung 5000 VM (Versorgungsmodul) P   | Electronic board 5000 VM (Supply module) | Commande électronique |
|     | 5009301   |  |  |  |                       |
|     | /3.C2   |  |  |  |                       |
| 28  | <b>+OES-H5.1</b>  |  | Reflektorgehäuse mit Lampe Garraumleucht | reflector case with lamp                 | boîtier réflecteur a  |
|     | 5015001   |  |  |  |                       |
|     | /4.E3   |  |  |  |                       |
| 29  | <b>+OES-H5.1</b>  |  | Glas für Garraumleuchte P3               | glass for lamp                           | verre pour lampe de   |
|     | 5015002   |  |  |  |                       |
|     | /4.E3   |  |  |  |                       |
| 30  | <b>+OES-H5.1</b>  |  | Rahmen für Garraumleuchte P3             | frame for oven lamp                      | cadre pour lampe de   |
|     | 5015003   |  |  |  |                       |
|     | /4.E3   |  |  |  |                       |
| 31  | <b>+OES-H5.1</b>  |  | Dichtung Garraumleuchte P3               | Seal for oven lamp P3                    | Joint pour enceinte   |
|     | 6015020   |  |  |  |                       |
|     | /4.E3   |  |  |  |                       |
| 32  | <b>+MP-K0</b>   |  | Schütz 3-pol. 18 kW / 50 A               | contactor 18 kW / 50 A                   | contacteur 18 kW /    |
|     | 4011013   |  |  |  |                       |
|     | /2.D8   |  |  |  |                       |
| 33  | <b>+MP-K4</b>   |  | Schütz 3-pol. 18 kW / 50 A               | contactor 18 kW / 50 A                   | contacteur 18 kW /    |
|     | 4011013   |  |  |  |                       |
|     | /2.D6   |  |  |  |                       |
| 34  | <b>+MP-K5</b>   |  | Schütz 9kW / 25A AC1                     | contactor 9kW / 25A AC1                  | contacteur 9kW / 2    |
|     | 4011000   |  |  |  |                       |
|     | /3.E3   |  |  |  |                       |
| 35  | <b>+MP-K50</b>  |  | Schütz 9kW / 25A AC1                     | contactor 9kW / 25A AC1                  | contacteur 9kW / 2    |
|     | 4011000   |  |  |  |                       |
|     | /3.E3   |  |  |  |                       |
| 36  | <b>+OES-M1</b>  |  |  |  |                       |
|     |   |  |  |  |                       |
|     |   |  |  |  |                       |

Schutzvermerk nach DIN 34 beachten !

Вит Общепит  
 vsezip.ru  
 +7(812)987-02-81

# Ersatzteilliste/spare parts list/Ersatzteilliste F/Ersatzteilli

| Nr. | Betriebsmittel/operating material/Betriebsmittel F/Betriebsmittel S |  | Bezeichnung                              | description                          | Bez                   |
|-----|---|--|--|--------------------------------------|-----------------------|
|     | Artikelnummer/part number/Artikelnummer F/Artikelnummer S           |  |  |                                      |                       |
|     | Darstellung/presentation/Darstellung F/Darstellung S                |  |  |                                      |                       |
| 41  | <b>+MP-X10</b>  |  | Stecker direkt 12pol. RM 3,5 mm P3       | terminal block 12pol. RM 3,5 mm P3   | connecteur 12pol. RM  |
|     | 5012003   |  |  |                                      |                       |
|     | /4.C5   |  |  |                                      |                       |
| 42  | <b>+MP-X11</b>  |  | Stecker direkt 8pol. RM 5 mm P3          | terminal block 8pol. RM 5 mm P3      | connecteur 8pol. RM   |
|     | 5012002   |  |  |                                      |                       |
|     | /4.C6   |  |  |                                      |                       |
| 43  | <b>+MP-X12</b>  |  | Stecker direkt 7pol. RM 5 mm P3          | terminal block 7pol. RM 5 mm P3      | connecteur 7pol. RM   |
|     | 5012001   |  |  |                                      |                       |
|     | /4.C7   |  |  |                                      |                       |
| 44  | <b>+MP-X13</b>  |  | Stecker X2 OSC, OSG, OSP P2              | terminal block X2 OSC, OSG, OSP P2   | connecteur X2 OSC,    |
|     | 5002094   |  |  |                                      |                       |
|     | /4.B7   |  |  |                                      |                       |
| 45  | <b>+MP-X13.1</b>  |  | ST-Combi-Kupplung 9pol. P3               | ST-Combi coupler plug 9pol. P3       | ST-Combi fiche de c   |
|     | 4014071   |  |  |                                      |                       |
|     | /3.D6   |  |  |                                      |                       |
| 46  | <b>+MP-X13.1</b>  |  | Zackband flach unbedruckt                | sticker flat not printed (5,2)       | vignette plaine pas   |
|     | 4014040   |  |  |                                      |                       |
|     | /3.D6   |  |  |                                      |                       |
| 47  | <b>+OES-X13.2</b>   |  | ST-Combi-Stecker 9pol. P3                | ST-Combi plug 9pol. P3               | ST-Combi connecteur   |
|     | 4014072   |  |  |                                      |                       |
|     | /3.D6   |  |  |                                      |                       |
| 48  | <b>+MP-X15</b>  |  | Stecker direkt 12pol. RM 3,5 mm P3       | terminal block 12pol. RM 3,5 mm P3   | connecteur 12pol. RM  |
|     | 5012003   |  |  |                                      |                       |
|     | /4.B5   |  |  |                                      |                       |
| 49  | <b>+OES-X16</b>   |  | Stecker direkt 12pol. RM 3,5 mm P3       | terminal block 12pol. RM 3,5 mm P3   | connecteur 12pol. RM  |
|     | 5012003   |  |  |                                      |                       |
|     | /4.B3   |  |  |                                      |                       |
| 50  | <b>+OES-Y1</b>  |  | Einfachmagnetventil 220-240V 180° ODgas  | solenoid valve                       | electrovanne simple   |
|     | 5001059   |  |  |                                      |                       |
|     | /4.E5   |  |  |                                      |                       |
| 51  | <b>+OES-Y10</b>   |  | Doppelmagnetventil 220-240V 50/60Hz 180° | double solenoid valve                | electrovanne double   |
|     | 5001080   |  |  |                                      |                       |
|     | /4.E4   |  |  |                                      |                       |
| 52  | <b>+OES-Y10-FY2</b>   |  | Entstörfilter-Magnetventil 240V          | Interference filter f.solenoid valve | filtre antiparasite e |
|     | 4001075   |  |  |                                      |                       |
|     | /4.E5   |  |  |                                      |                       |
| 53  | <b>+OES-Y10-FY4</b>   |  | Entstörfilter-Magnetventil 240V          | Interference filter f.solenoid valve | filtre antiparasite e |
|     | 4001075   |  |  |                                      |                       |
|     | /4.E4   |  |  |                                      |                       |
| 54  | <b>+OES-Y10-Y2</b>  |  |  |                                      |                       |
|     |   |  |  |                                      |                       |
|     | /4.E5   |  |  |                                      |                       |
| 55  | <b>+OES-Y10-Y4</b>  |  |  |                                      |                       |
|     |   |  |  |                                      |                       |
|     | /4.E4   |  |  |                                      |                       |

Schutzvermerk nach DIN 34 beachten !

Вит Общепит  
 vsezip.ru  
 +7(812)987-08-81