

vsezip.ru®
retigo®
+7(812)987-08-81
Vision



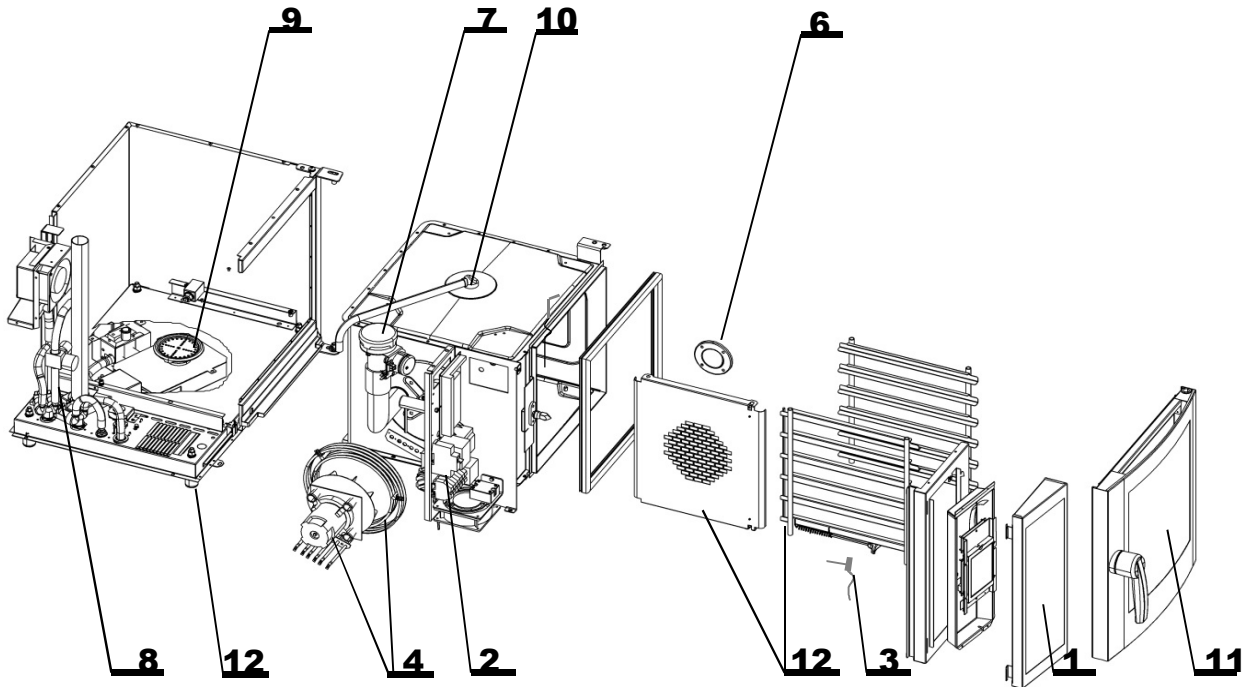
Spare parts catalogue

RETIGO Vision
Combi steamer 623
electric

Зип Общепит

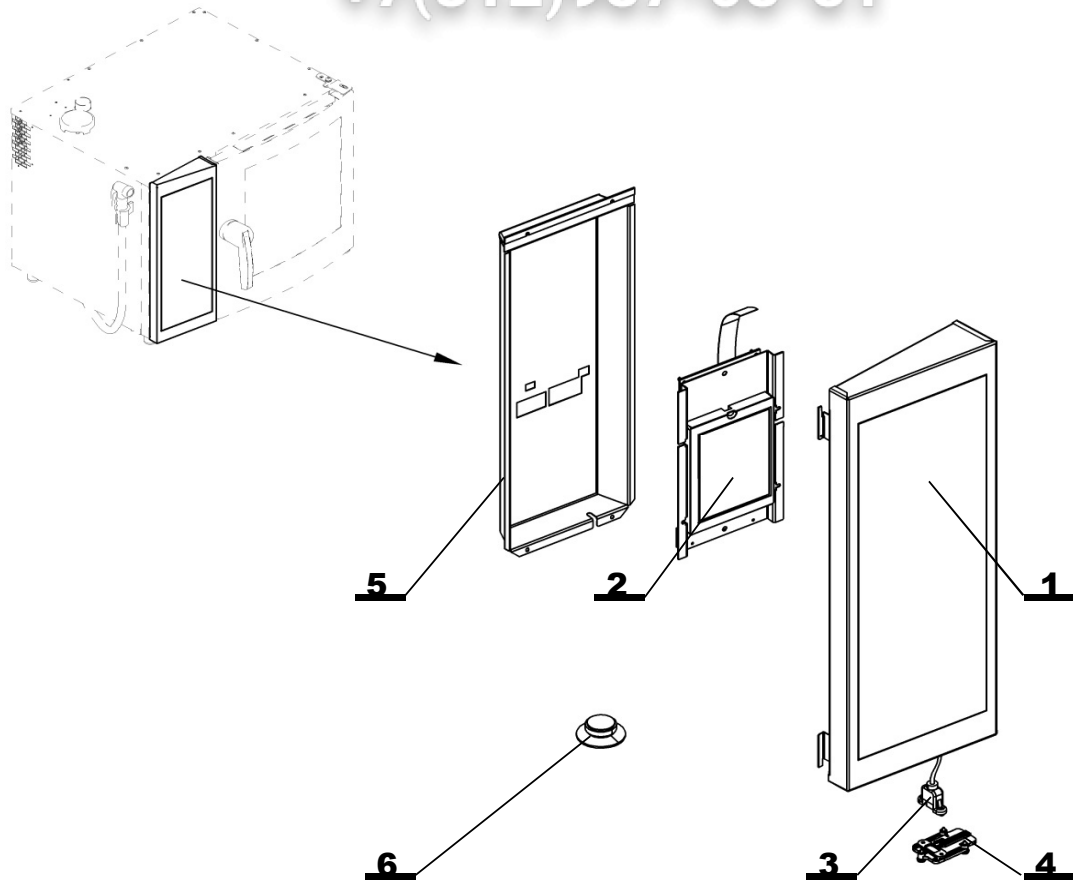
vsezip.ru

+7(812)987-08-81



CONTENT

		Page
1	Control panel	4
2	Power panel	5
3	Temperature sensors	6
4	Motor, ventilator, heating	7
5	Flap valve	8
6	Light	8
7	Flap valve	9
8	Water distribution system	10
9	Drainage system	11 - 12
10	Automatic cleaning system	13
11	Door	14
12	Accessories	15



Position	Code	Name	For type of combi steamer			
			B623i		O623i	
1	AC21-1505/CH1	WHOLE LEFT CORNER WITH ELECTRONIC 623-BLUE	•			
1	AC21-1506/CH1	WHOLE LEFT CORNER WITH ELECTRONIC 623-ORANGE			•	
2	XC10-2000	ELECTRONIC BOARD SET VISION-BLUE Freescale 2011	•			
2	XC10-2100	ELECTRONIC BOARD SET VISION-ORANGE Freescale 2011			•	
3	EA05-0052	USB CABLE	•		•	
4	SP21-0001	USB COVER	•		•	
5	AP10-0021	COVER OF ELECTRONICS	•		•	
6	EA13-0151	AUXILIARY LOUD-SPEAKER	•		•	

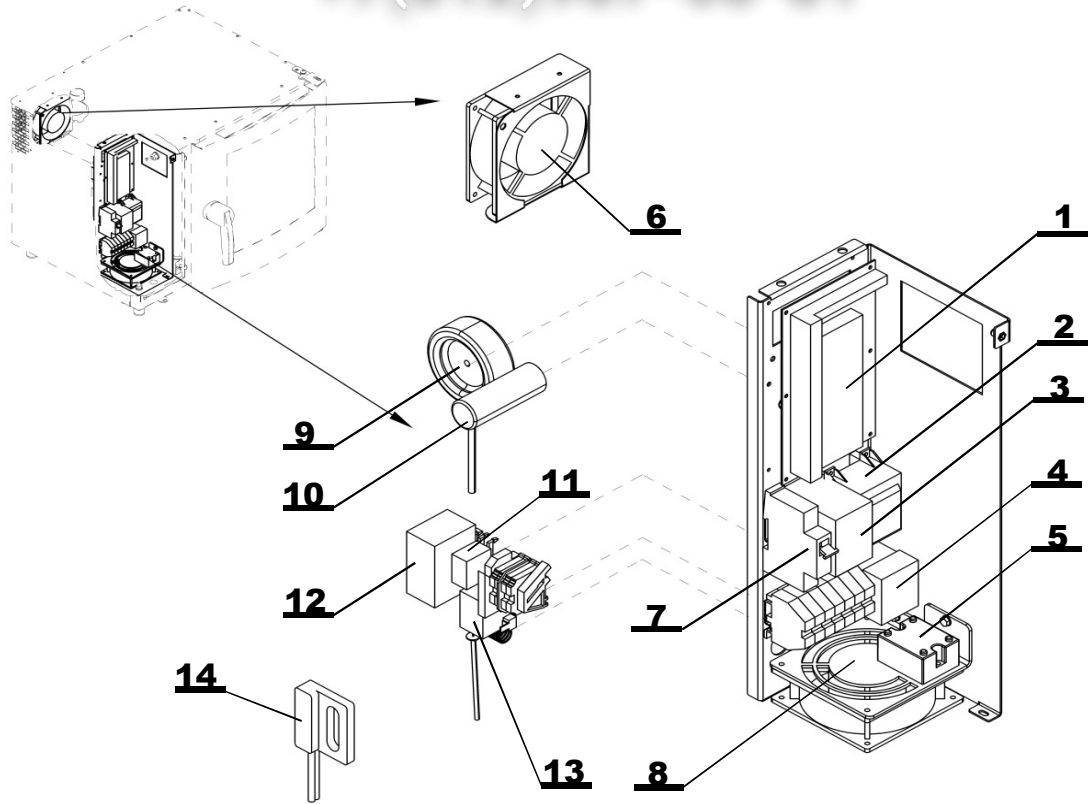
Note:

1	AC21-1505/S/CH1	LEFT CORNER PLATE 623 - BLUE WITH USB CONNECTOR	•			
1	AC21-1506/S/CH1	LEFT CORNER PLATE 623 - ORANGE WITH USB CONNECTOR			•	

Зип Общепит

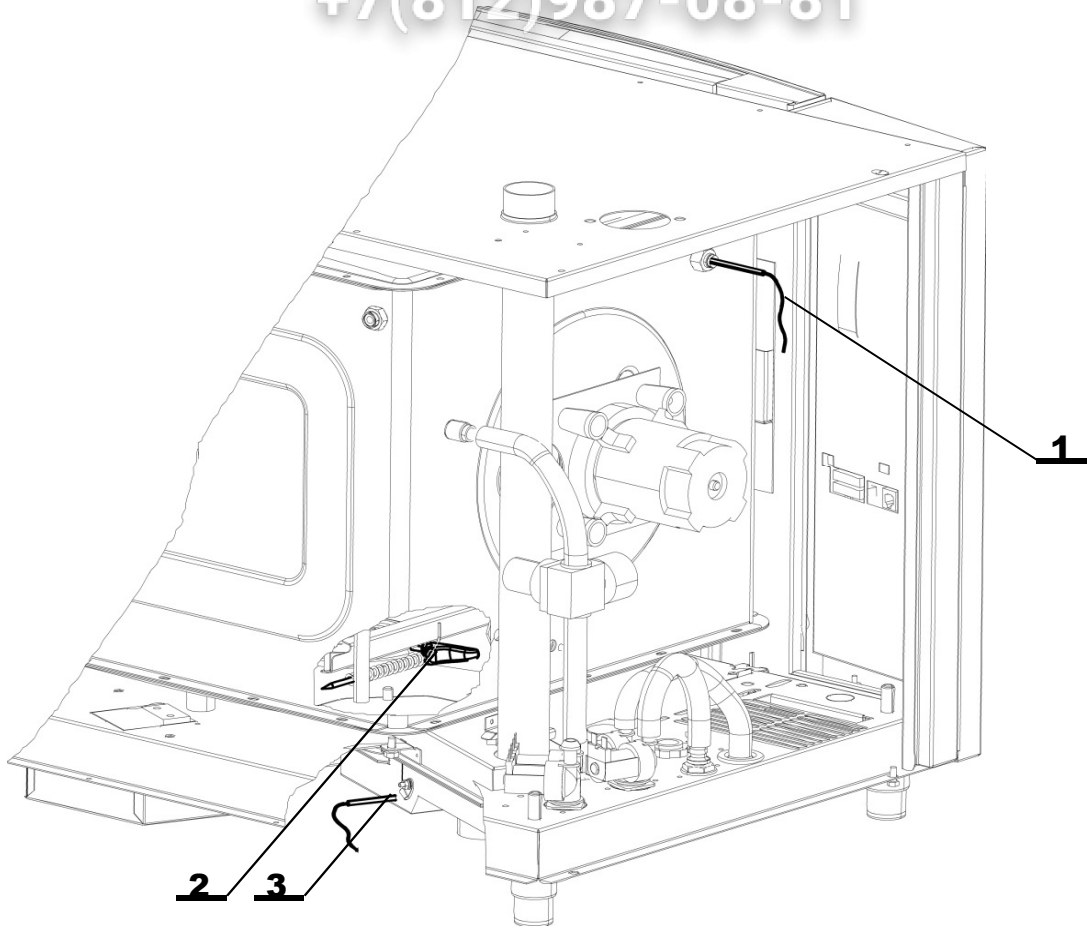
POWER PANEL BLUE
POWER PANEL ORANGE

+7(812)987-08-81



Position	Code	Name	For type of combi steamer			
			B623i		O623i	
1	EA14-0080	POWER SUPPLY BOARD VISION -R04.1	•		•	
2	EA13-0008	TRANSFORMER TRONIC 17V	•		•	
3	EA01-0101	THERMAL RELAY LR2K0305	•		•	
4	EA02-0001	CONTACTOR LC 1K0610 P72	•		•	
5	EA02-0203	SOLID STATE RELAY SOB965660	•		•	
6	ZA21-0007	FAN SUNNON	•		•	
7	EA03-0016	CIRCUIT BREAKER	•		•	
8	ZA21-0007	FAN SUNNON	•		•	
9	EA13-0010	TRANSFORMER 1TT20P2 230V/11,5V	•		•	
10	EA13-0301	STARTING CAPACITOR	•		•	
11	EA13-0056	SUPPRESSION COMPONENT TS811 1022B	•		•	
12	EA13-0057	SUPPRESSION COMPONENT FC611	•		•	
13	EA04-0012	THERM. FUSE FOR SPACE 360°C	•		•	
14	EA01-0015	DOOR SWITCH 623, 611, 1011	•		•	

Note:

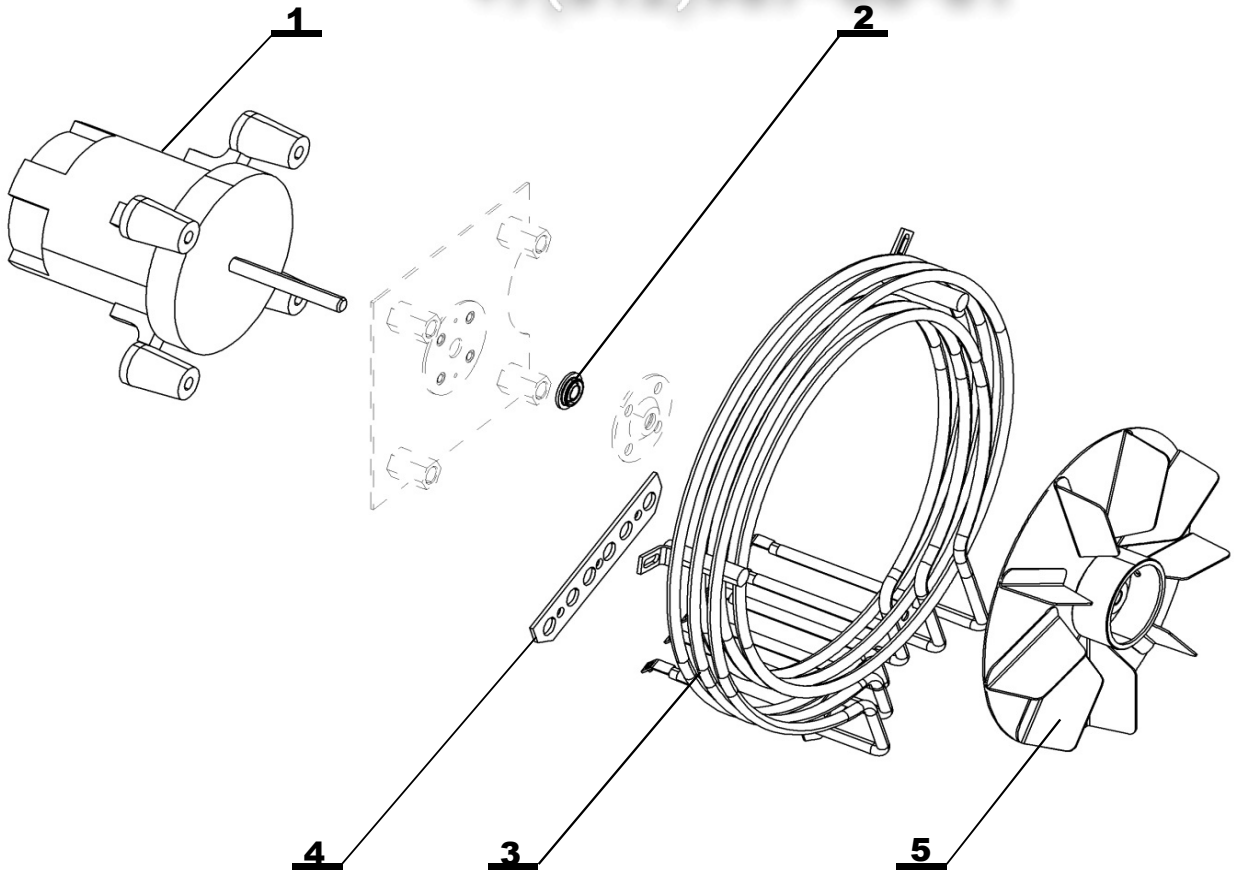


Position	Code	Name	For type of combi steamer			
			B623i		O623i	
1	EA10-0103	COOKING CHAMBER AND STEAM TEMP. SENSOR	•		•	
2	EA10-0113	CORE PROBE (meat probe) - Blue - 4 point 623, 611, 1011	•			
2a	EA10-0111	CORE PROBE (meat probe) - Orange - 1 point 623, 611, 1011			•	
3	EA10-0104	DRAIN and BOILER TEMP. SENSOR 623, 611, 1011, 1221	•		•	

Note:

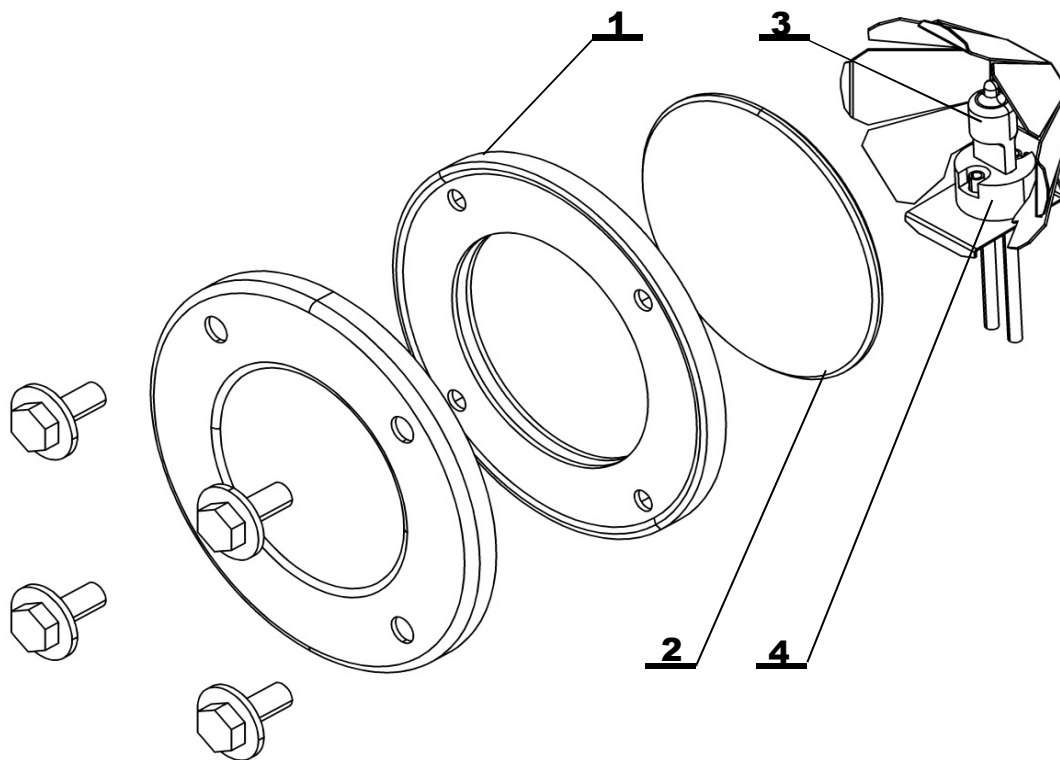
MOTOR - VENTILATOR HEATING

+7(812)987-08-81



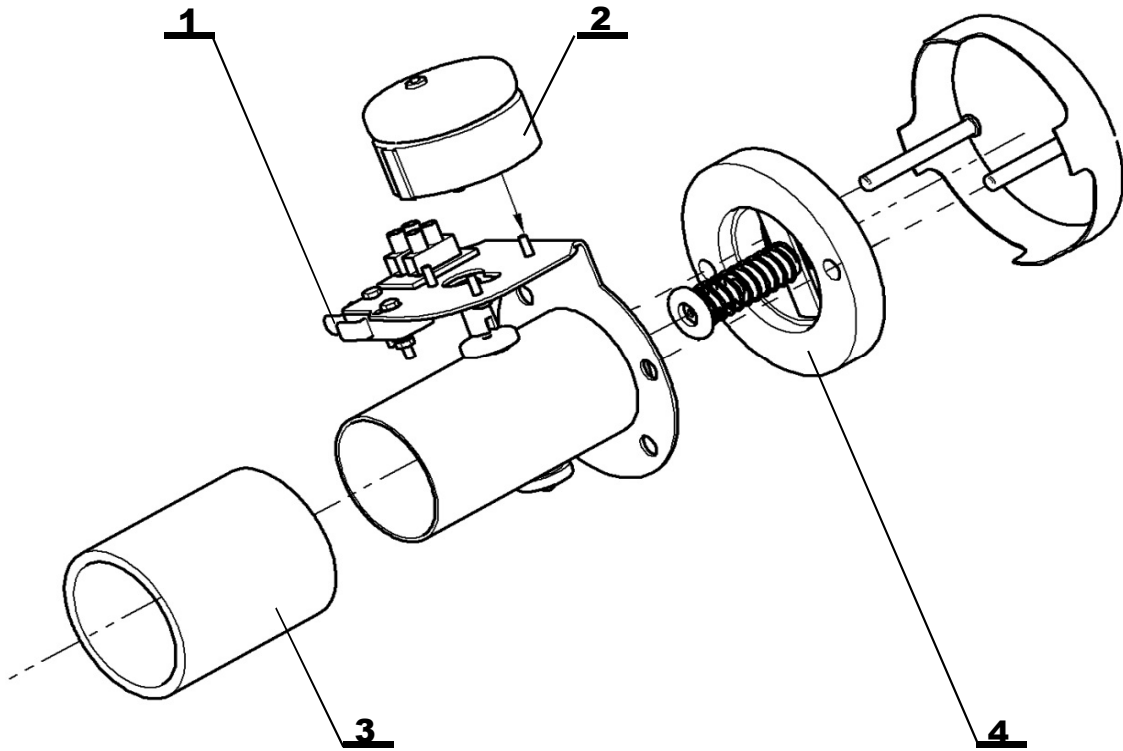
Position	Code	Name	For type of combi steamer			
			B623i		O623i	
1	EA11-0004	ELECTRO-MOTOR L50W2B-292	•		•	
2	AX00-0011	MOTOR SEAL	•		•	
3	AX00-0016	SPACE HEATING ELEMENT 4800 W	•		•	
4	AX00-0017	SEAL	•		•	
5	AX09-0004	VENTILATOR FAN 623 175/38,5	•		•	

Note:



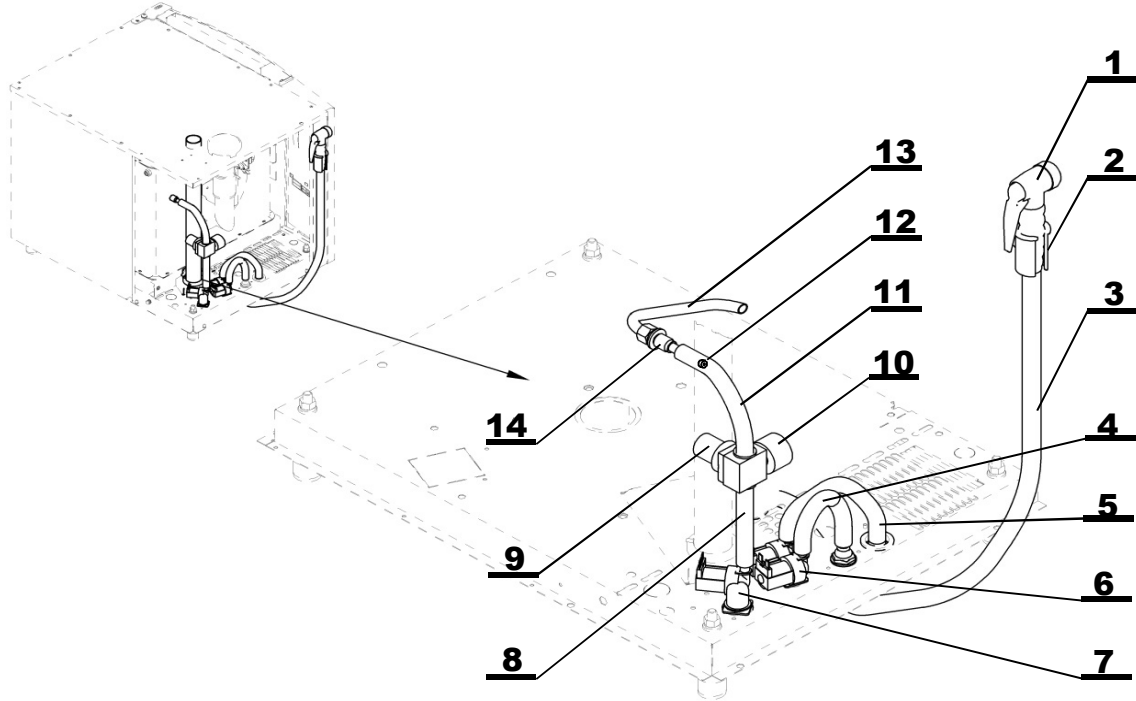
Position	Code	Name	For type of combi steamer			
			B623i		O623i	
1	AX07-0005	LIGHT SEAL VISION	•		•	
2	AX07-0004	GLASS PLATE	•		•	
3	EA13-0100	HALOGEN LAMP	•		•	
4	EA13-0101	HALOGEN LAMP BASE	•		•	

Note:



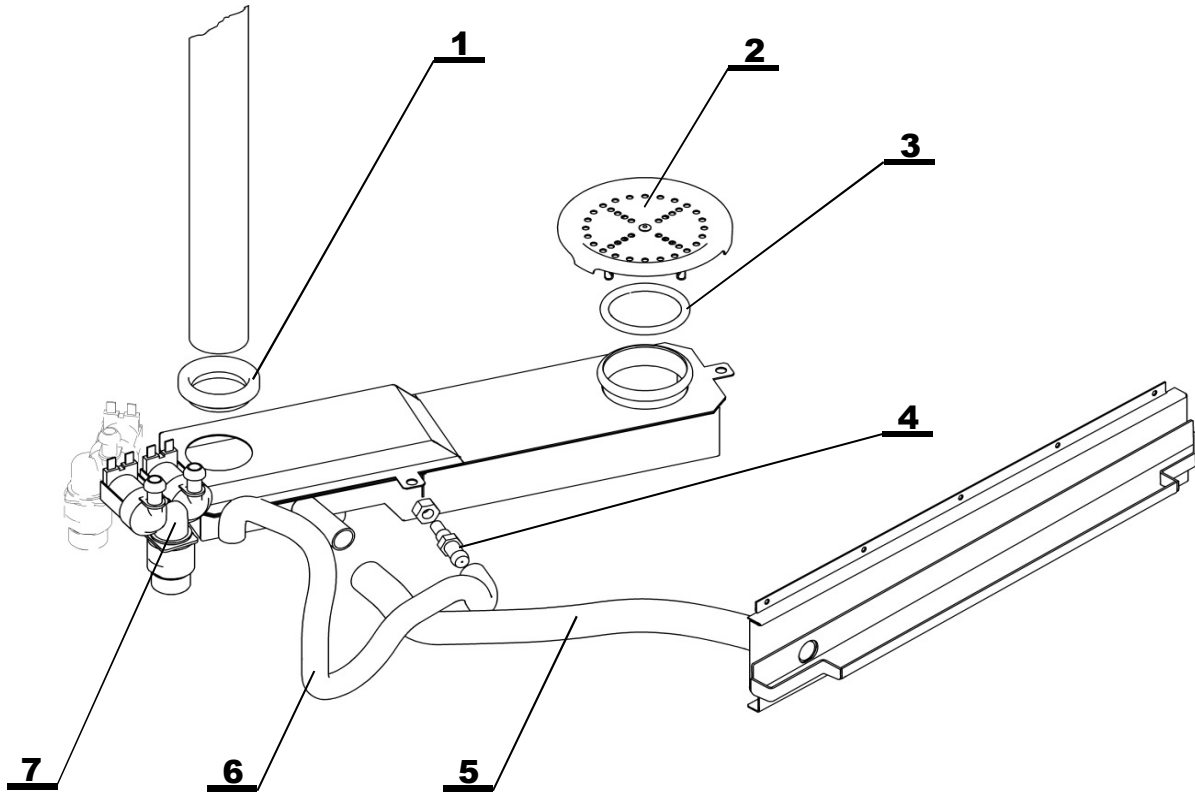
Position	Code	Name	For type of combi steamer			
			B623i		O623i	
1	EA01-0052	MIKROSWITCH (until 1.1.2010)	•			
2	EA11-0012	MOTOR + SWITCH (since 1. 1. 2010)	•			
2	EA11-0005	MOTOR (until 1.1.2010)	•			
3	AT00-0006	FLAP VALVE HOSE DA6	•		•	
4	AC25-0105	PLUG	•		•	
1+2+4	AC25-0100	FLAP VALVE COMPLETE	•			

Note:



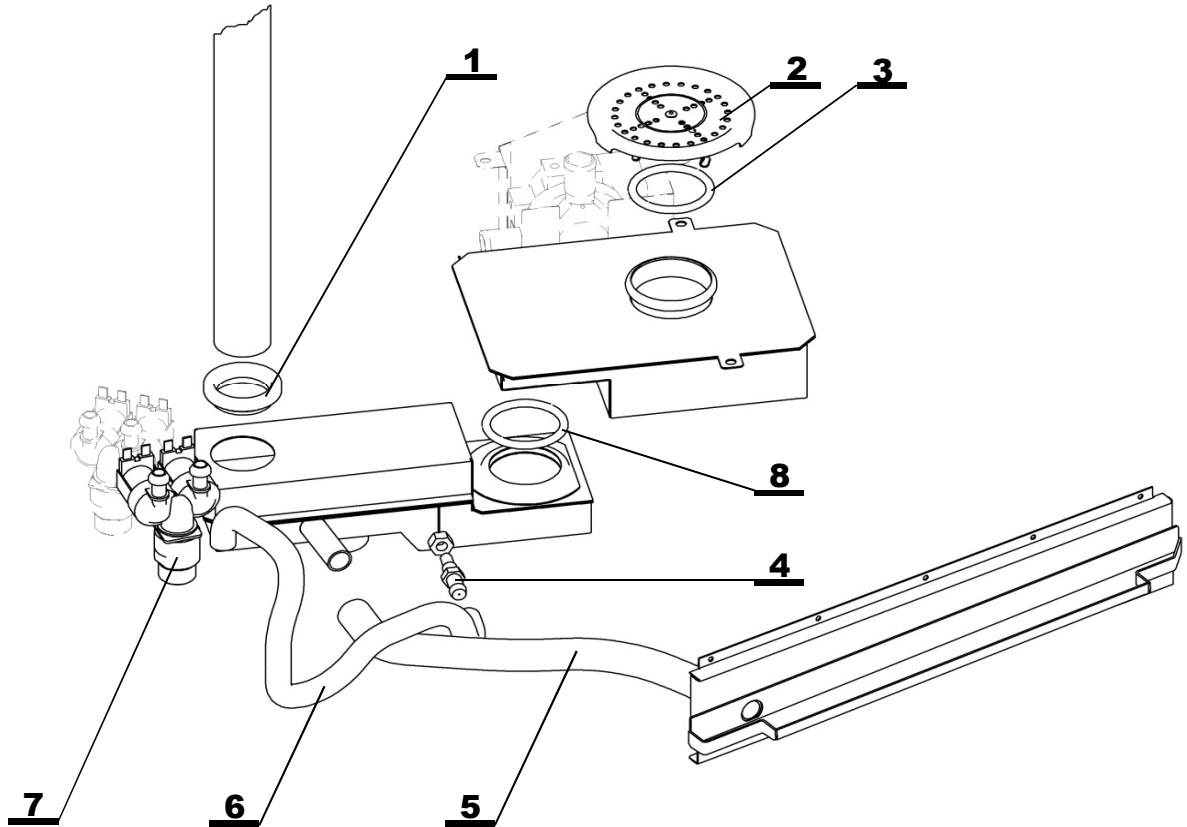
Position	Code	Name	For type of combi steamer			
			B623i		O623i	
1	ZA15-0100	SHOWER KLARCO	•		•	
2	AT00-0002	SHOWER HOLDER KLARCO	•		•	
3	ZA11-0902	RUBBER HOSE FOR SHOWER 1,6m	•		•	
4	AA26-0108	HOSE 10x3,6 - 240	•		•	
5	AA26-0110	HOSE 10x3,6 - 480	•		•	
6	EA12-0050	DOUBLE SOLENOID VALVE	•		•	
7	EA12-0051	SIMPLE SOLENOID VALVE			•	
8	AA26-0104	HOSE 10x3,6 - 90	•		•	
9	ZA12-0201	WATER REDUCTING VALVE	•		•	
10	ZA12-0401	MANOMETER 0-1bar, WIKA	•		•	
11	AA26-0111	HOSE 10x3,6 - 195	•		•	
12	AT00-0056	NOZZLE 07	•		•	
13	AC12-0800	INJECTION PIPE VISION 623	•		•	
14	AC00-2500	BUSHING	•		•	

Note:



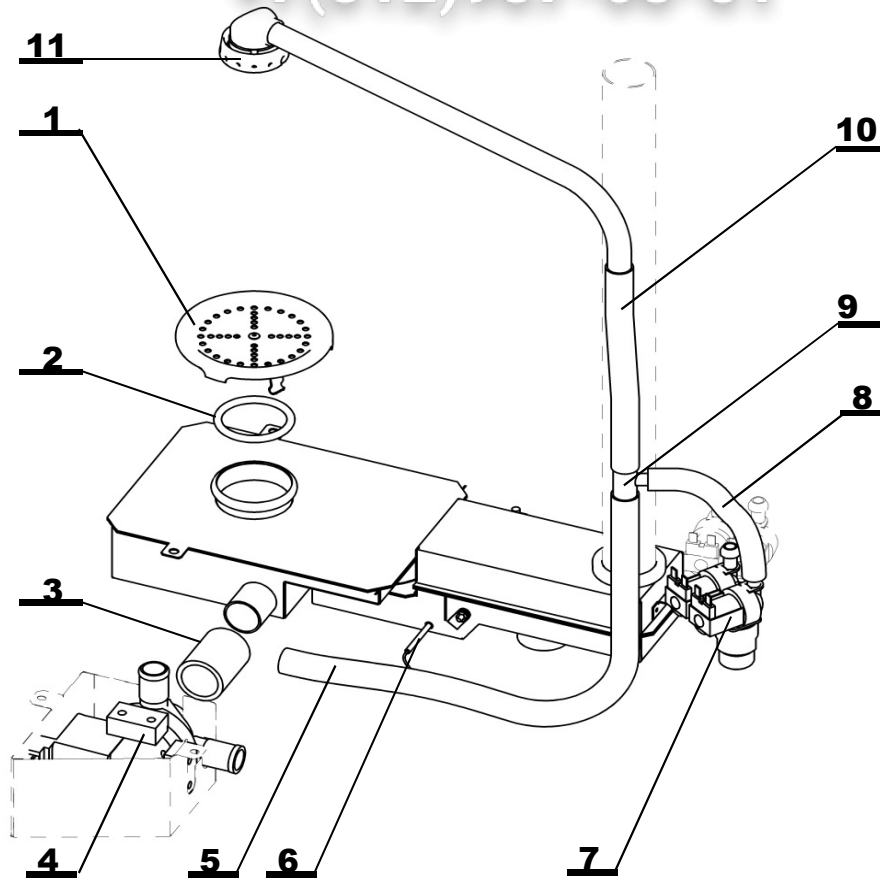
Position	Code	Name	For type of combi steamer			
			B623i		O623i	
1	AX04-0001	SEAL \varnothing 55			•	
2	AC02-2202	DRAIN CAP			•	
3	ZA13-1549	O-RING			•	
4	AT01-0013	NOZZLE			•	
5	AA26-0156	HOSE 16/22 - 350			•	
6	AA26-0110	HOSE 10x3,6 - 480			•	
7	EA12-0050	DOUBLE SOLENOID VALVE			•	

Note:



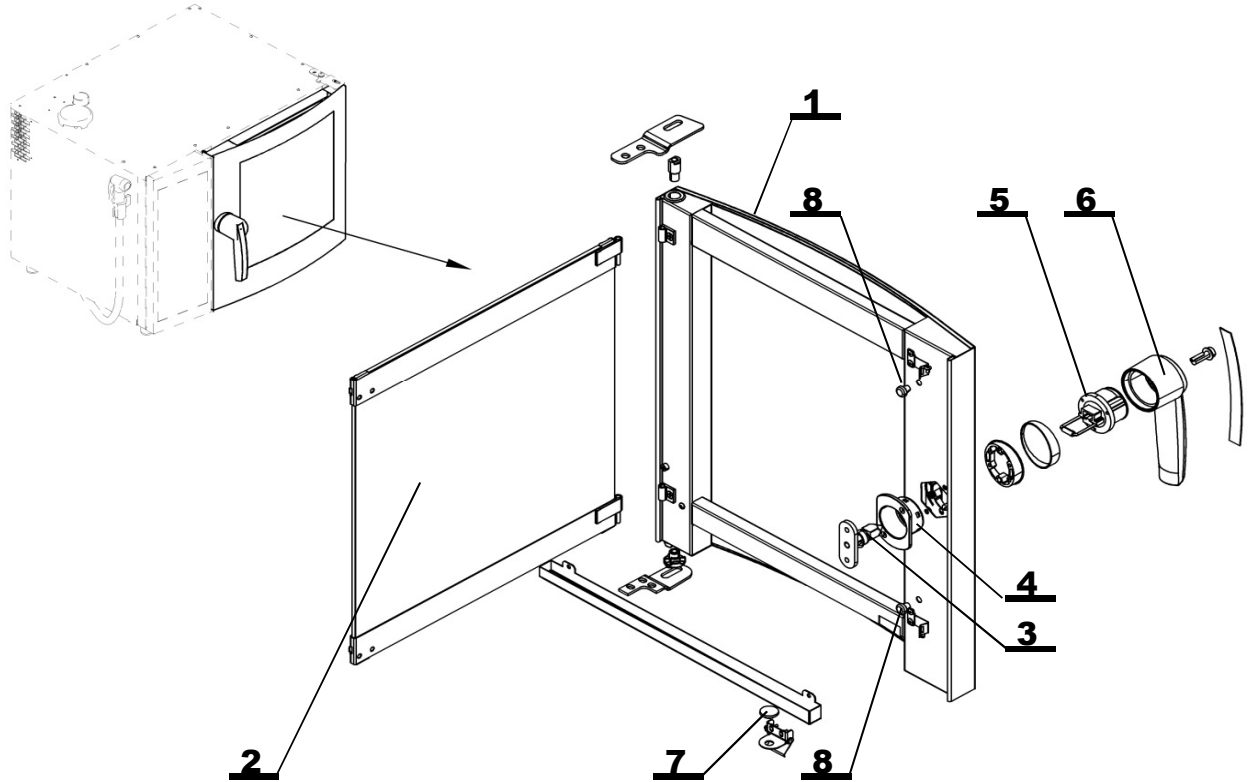
Position	Code	Name	For type of combi steamer			
			B623i		O623i	
1	AX04-0001	SEAL \varnothing 55	•			
2	AC02-2202	DRAIN CAP	•			
3	ZA13-1549	O-RING	•			
4	AT01-0013	NOZZLE	•			
5	AA26-0156	HOSE 16/22 - 350	•			
6	AA26-0110	HOSE 10x3,6 - 480	•			
7	EA12-0050	DOUBLE SOLENOID VALVE	•			
8	ZA13-1549	O-RING	•			

Note:



Position	Code	Name	For type of combi steamer			
			B623i		O623i	
1	AC02-2202	DRAIN CAP	•			
2	ZA13-1549	O-RING	•			
3	AA00-0029	HOSE 50 mm BLACK	•			
4	EA12-0001	PUMP	•			
5	AA26-0157	HOSE 16/22 - 450	•			
6	EA10-0104	DRAIN and BOILER TEMP. SENSOR 623, 611, 1011, 1221	•			
7	EA12-0050	DOUBLE SOLENOID VALVE	•			
8	AA26-0108	HOSE 10x3,6 - 240	•			
9	AC32-0400	T-FITTING	•			
10	AA26-0150	HOSE 16/22 - 230	•			
11	AT32-0052	CLEANING NOZZLE	•			

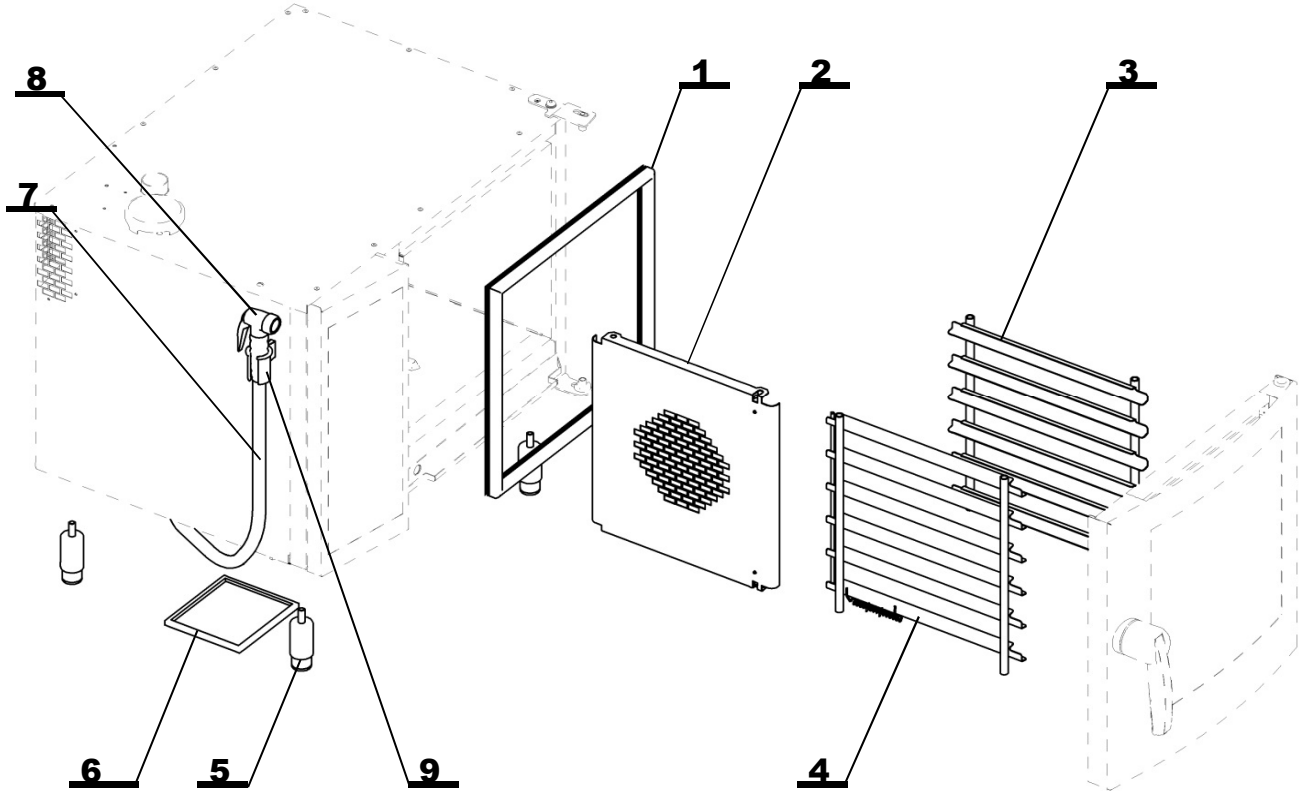
Note:



Position	Code	Name	For type of combi steamer			
			B623i		O623i	
1	AC03-3600	DOOR 623 - 07 VISION COMPLETE	•		•	
2	AC03-3602	INTERIOR GLASS 623 - 07 VISION	•		•	
3	ZA20-0902	LATCH KL-J	•		•	
4	AX08-0020	BOX	•		•	
5	ZA20-0901	DOOR MECHANISM 6303-020501	•		•	
6	AX08-0021	HANDLE VISION	•		•	
7	ZA13-0516	STOPPER 10 GUZU	•		•	
8	AX03-0076	WINDOW STOP	•		•	

Note:

3a	ZA20-0903	LATCH KL-D - two steps opening	•		•	
5+6	AC08-0700	HANDLE 623,611,1011 Vision	•		•	



Position	Code	Name	For type of combi steamer			
			B623i		O623i	
1	AX00-0034	DOOR SEAL 623 VISION	•		•	
2	AC14-1400	INNER WALL 623 - VISION	•		•	
3	AC19-1700	RACK RIGHT 623 - VISION	•		•	
4	AC18-1900	RACK LEFT 623 - VISION	•		•	
5	AA00-0027	FOOT 623	•		•	
6	ZA17-0010	AIR FILTER VISION	•		•	
7	ZA11-0902	RUBBER HOSE FOR SHOWER 1,6m	•		•	
8	ZA15-0100	SHOWER KLARCO	•		•	
9	AT00-0002	SHOWER HOLDER KLARCO	•		•	

Note:

Зип Общепит

vsezip.ru

+7(812)987-08-81

retigo®
Vision

RETIGO s.r.o.
Láň 2310, PS43
756 64 Rožnov pod Radhoštěm
email: service@retigo.com
tel.: +420 571 665 561