

Зип Общепит

vsezip.ru
ELETTPOBAP
+7(812)987-08-81

**SPARE PARTS CATALOGUE
ERSATZTEILKATALOG
CATALOGUE PIECES DETACHEES
CATALOGO PARTI RICAMBIO
CATALOGO DE PIEZAS DE RECAMBIO
CATALOGO PEÇAS DE REPOSICAO**

FAST 180

12-02-2015

Зип Общепит

vsezip.ru

+7(812)987-08-81

Tav.1: Carrozzeria
Tav.2: Impianto elettrico
Tav.3: Componenti in vasca
Tav.4: Circuito di lavaggio
Tav.5: Circuito di risciacquo
Tav.6: Lance di lavaggio
Tav.7: Pompa di lavaggio
Tav.8: Pompa di scarico

Tav.1: Machine body
Tav.2: Electrical components
Tav.3: Components in the tank
Tav.4: Washing circuit
Tav.5: Rinsing circuit
Tav.6: Washing arms
Tav.7: Washing pump
Tav.8: Draining pump

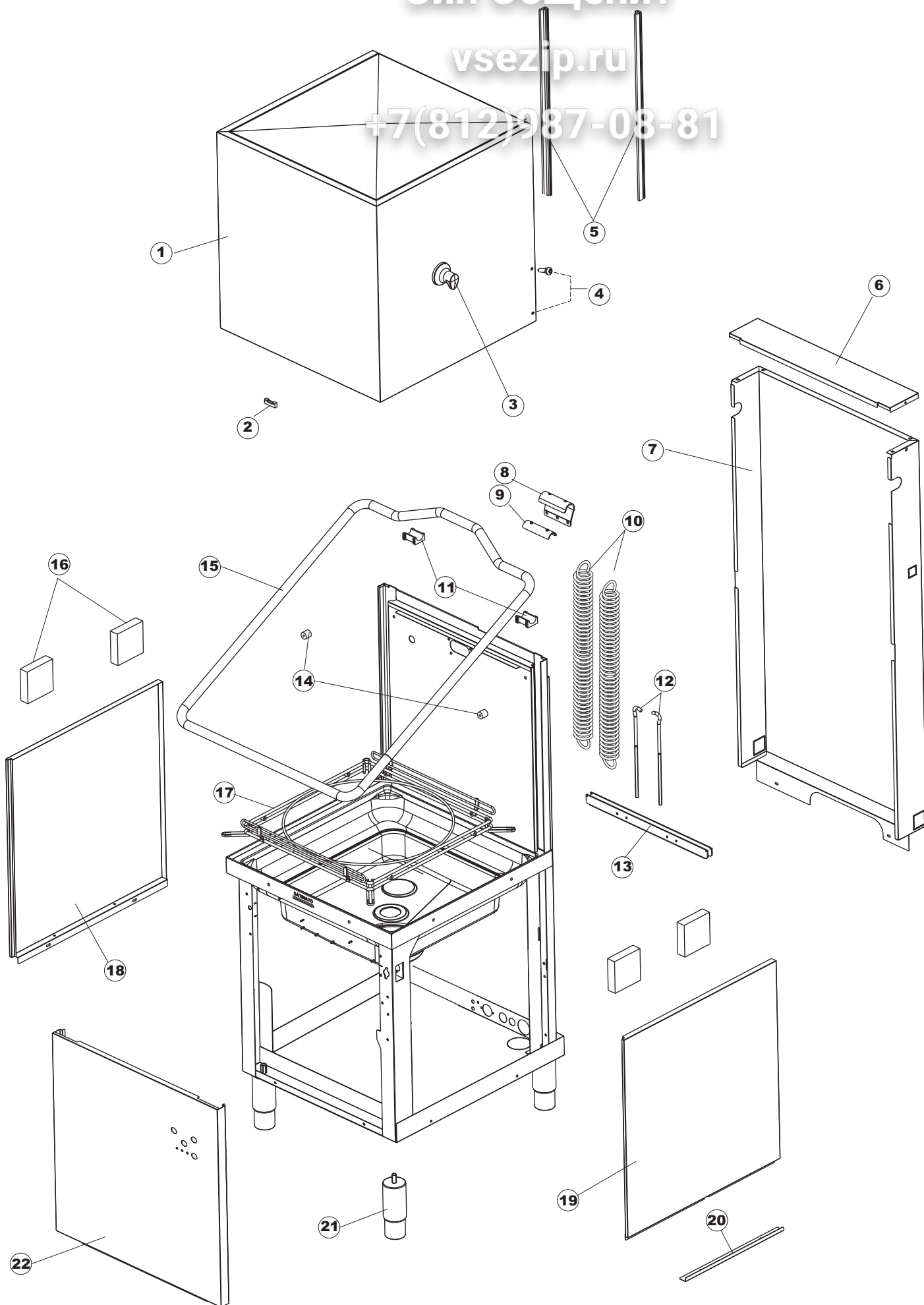
Tab.1: Carrocería
Tab.2: Instalación eléctrica
Tab.3: Componentes en cuba
Tab.4: Circuito de lavado
Tab.5: Circuito d'enjuague
Tab.6: Brazos de lavado
Tab.7: Bomba de lavado
Tab.8: Bomba de descarga

Tab.1: Carrosserie
Tab.2: Installation électrique
Tab.3: Composants de cuve
Tab.4: Circuit de lavage
Tab.5: Circuit de rinçage
Tab.6: Bras de lavage
Tab.7: Pompe de lavage
Tab.8: Pompe de vidange

Taf.1: Verkleidung
Taf.2: Elektrische Anlage
Taf.3: Bauteile im Waschtank
Taf.4: Spuelschaltung
Taf.5: Nachspuelschaltung
Taf.6: Wascharmee
Taf.7: Spuelpumpe
Taf.8: Laugenpumpe

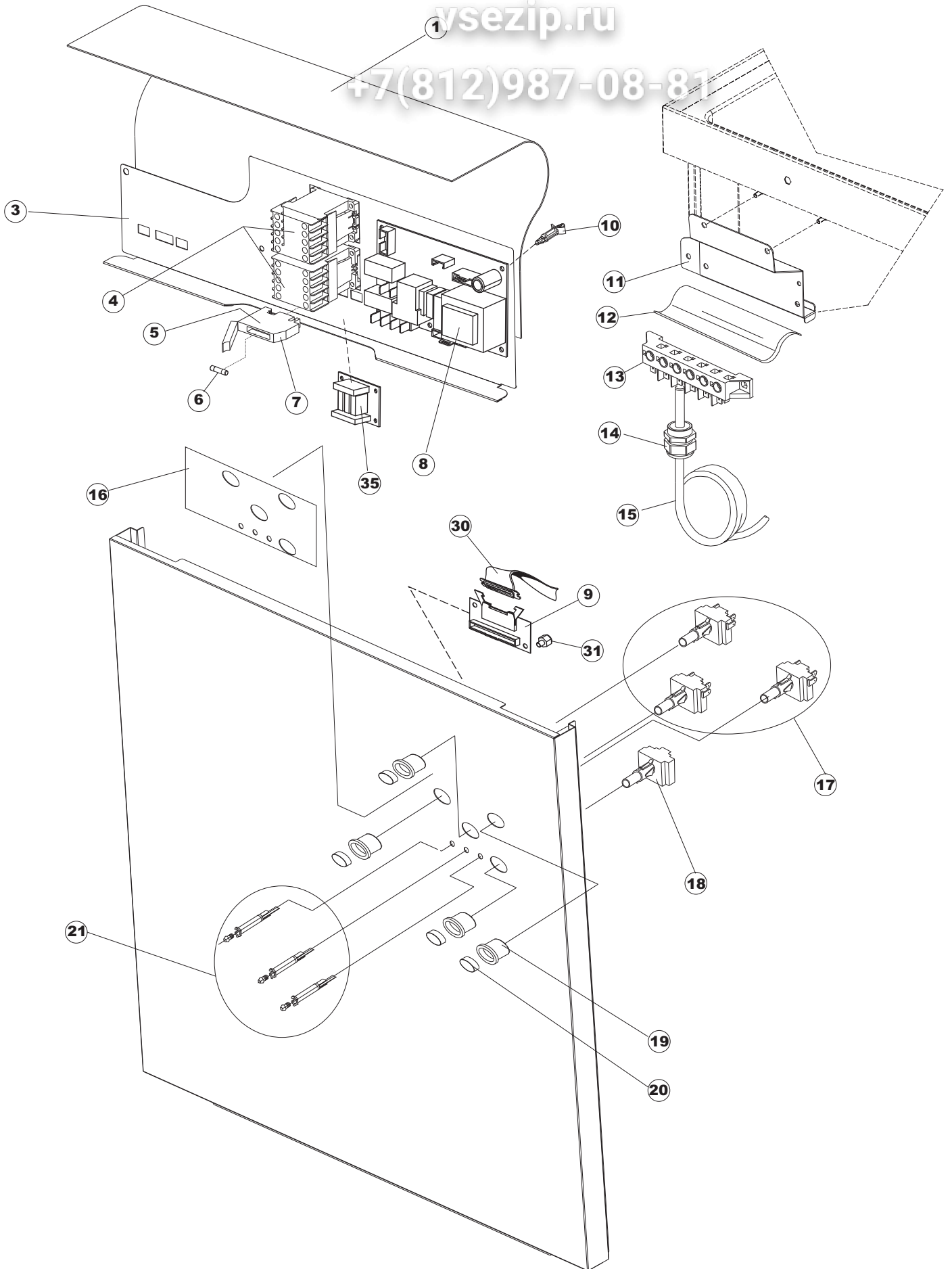
vsezip.ru

+7(812)987-08-81



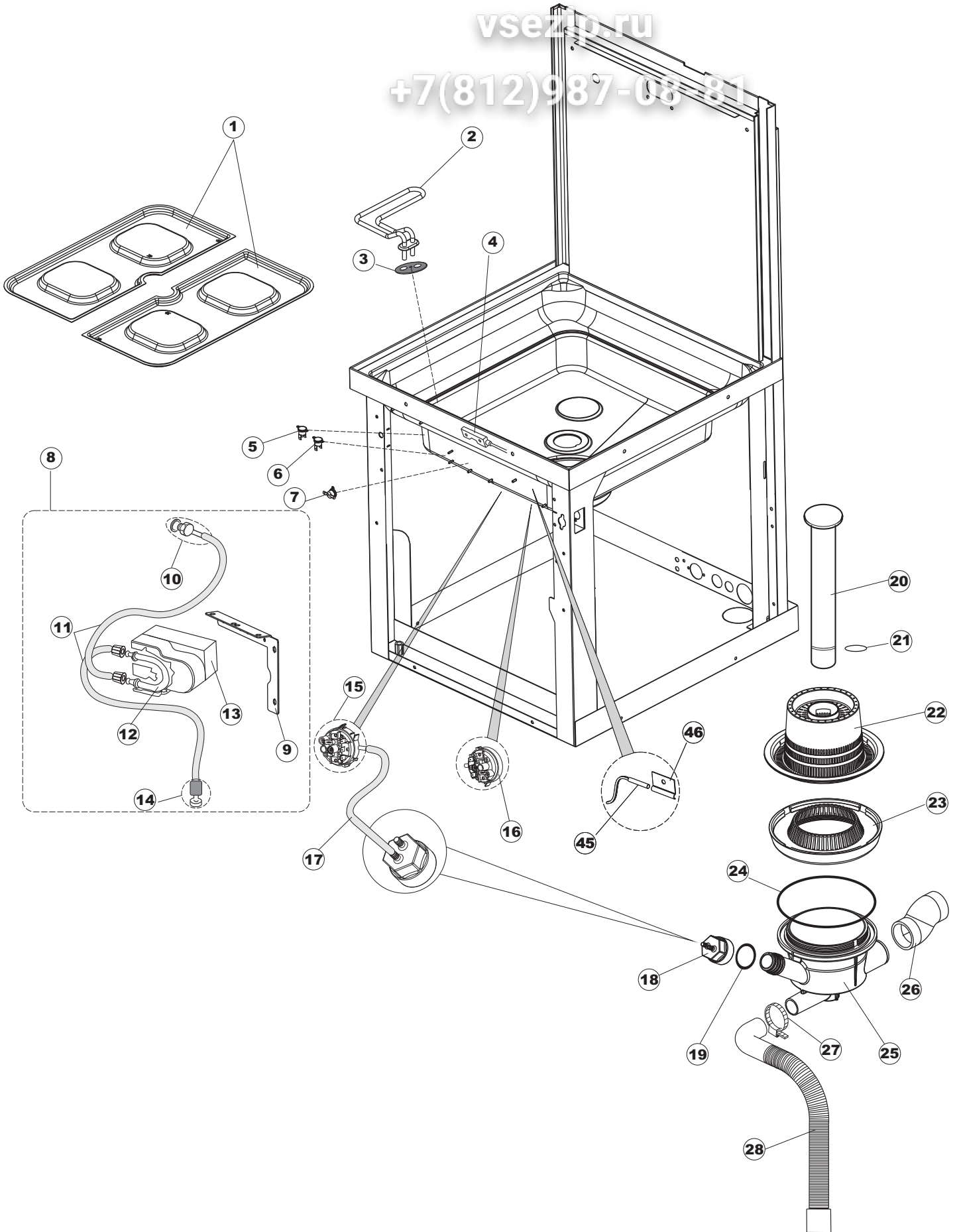
vsezip.ru

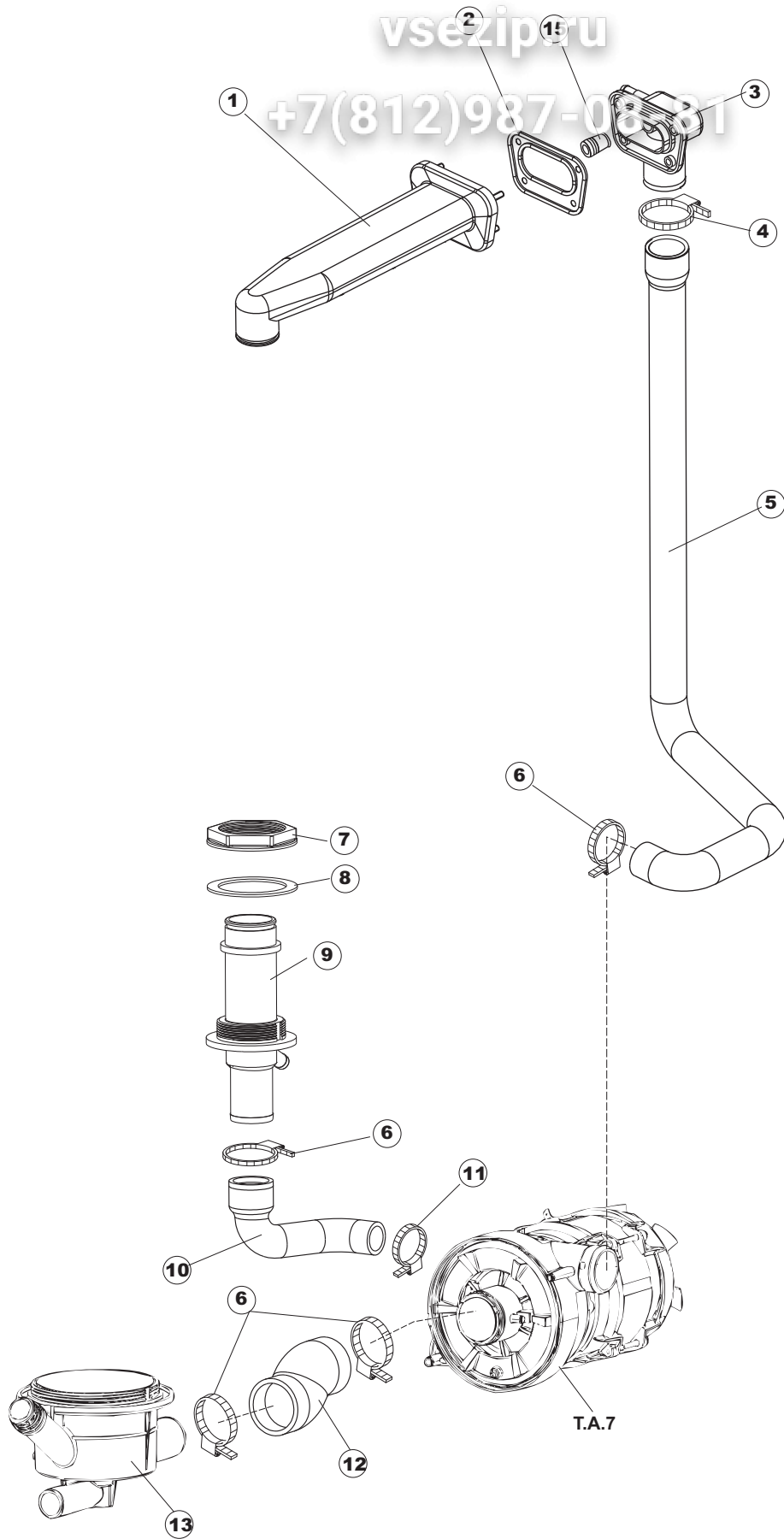
+7(812)987-08-81



vsezip.ru

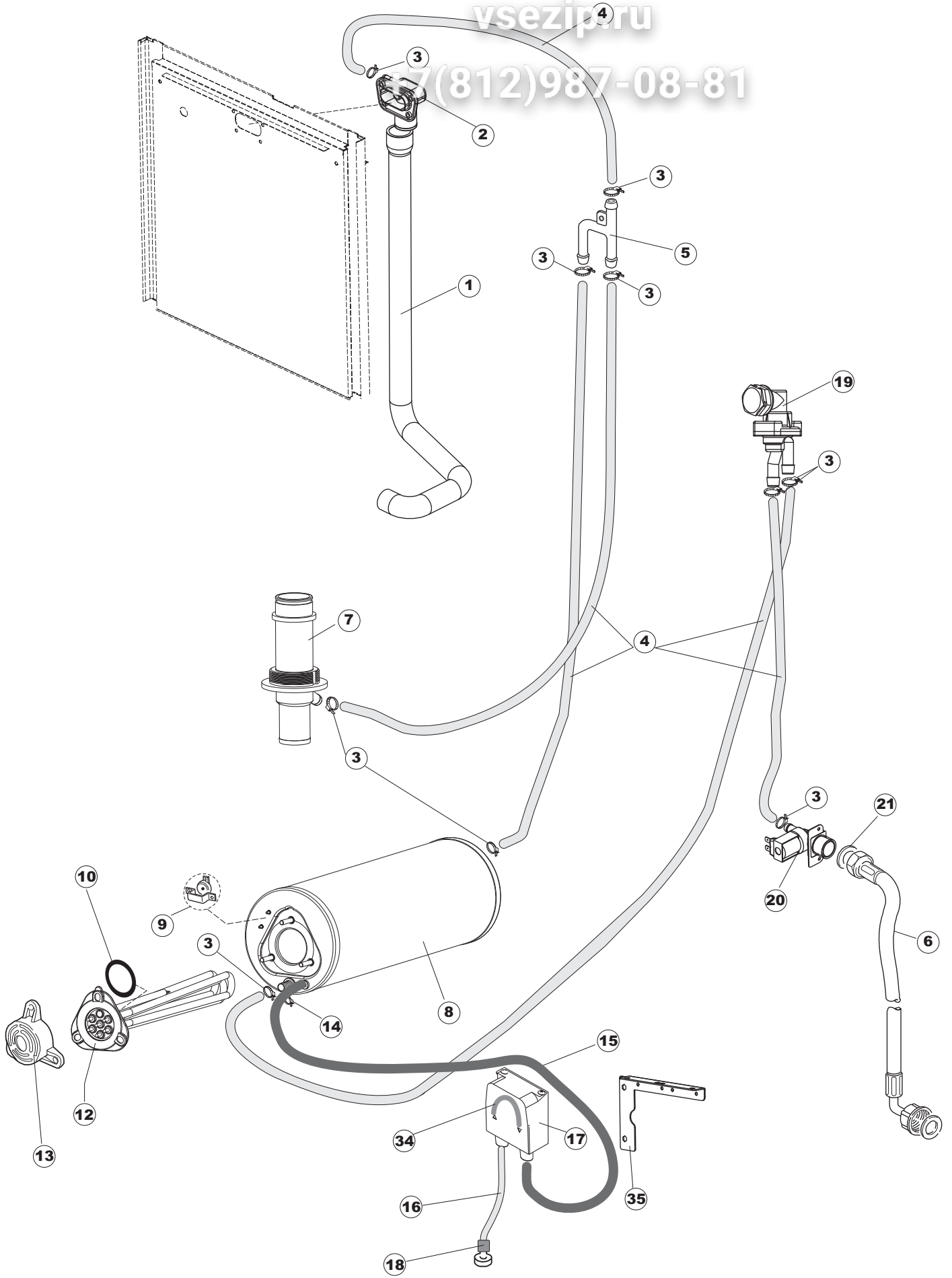
+7(812)987-08-81





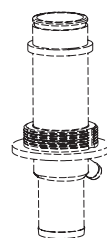
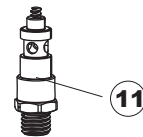
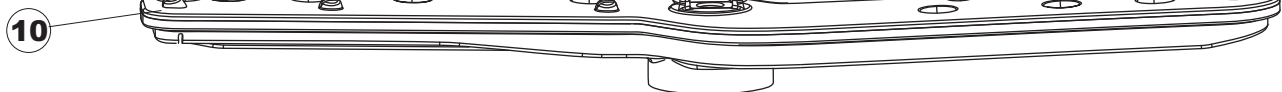
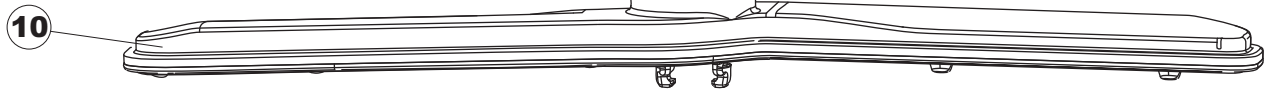
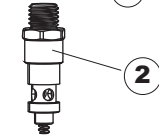
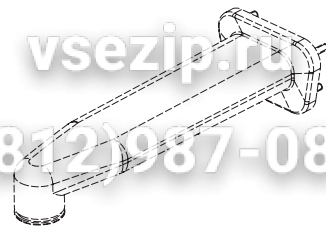
vsezip.ru

7(812)987-08-81



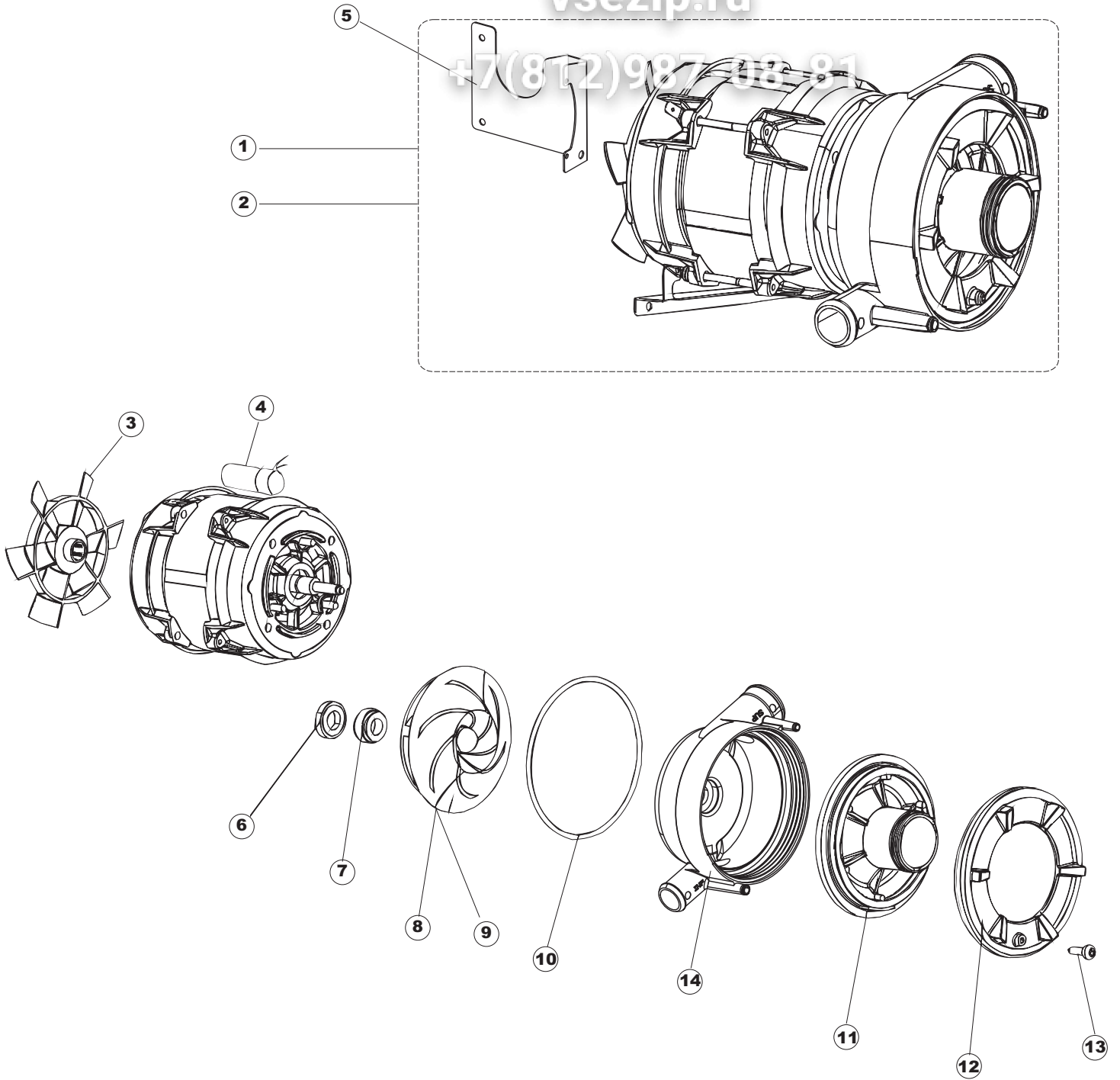
vsezip.ru

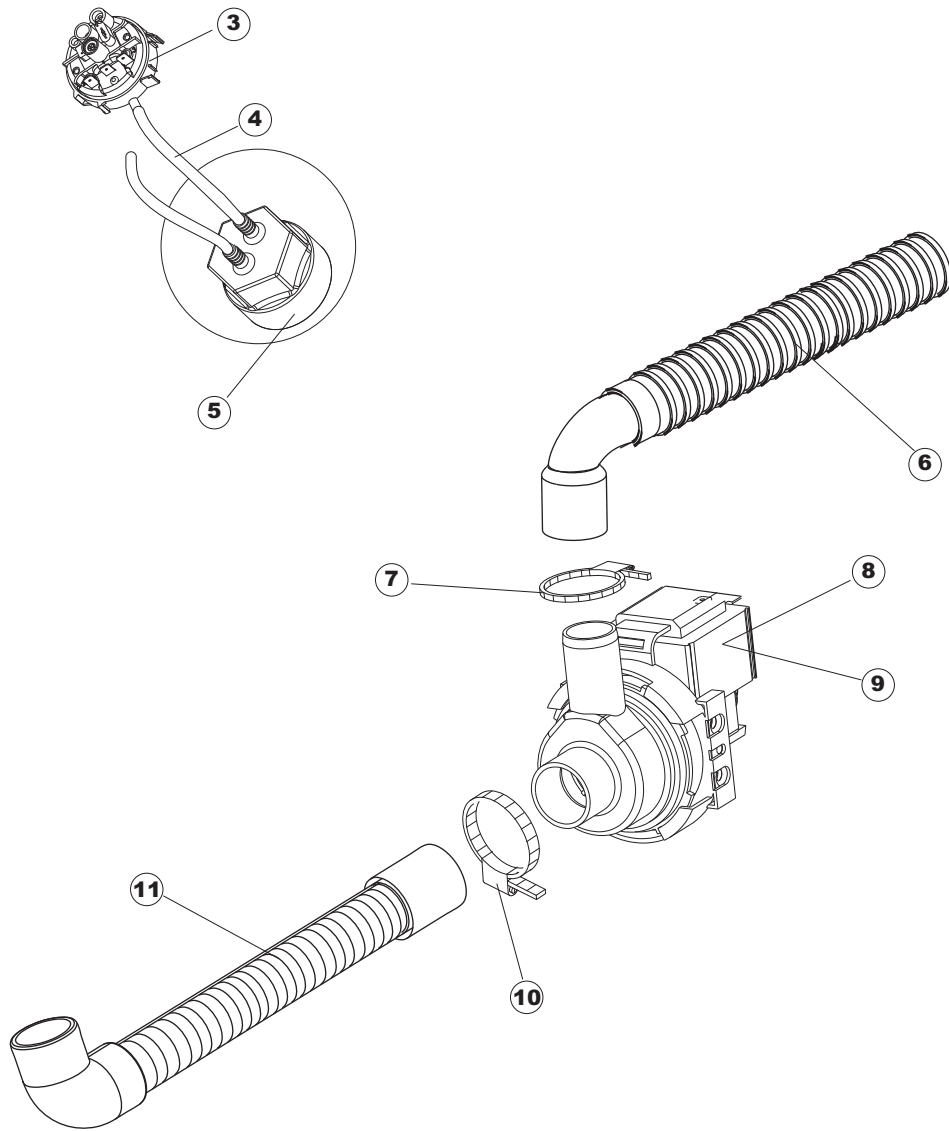
+7(812)987-08-81



vsezip.ru

+7(812)987-08-81





Pompa scarico
Drain pump

1

2

| Page | Spare part position | Code number | Old code number | Description | U. m. | Price |
|------|---------------------|-------------|-----------------|---------------------------------------|-------|--------|
| 1 | 1 | 69141 | | HOOD | NR | 666,26 |
| 1 | 2 | 927088 | CWM7 | MAGNET FOR HOOD MICROSWITCH | NR | 13,67 |
| 1 | 3 | 80632B | | SUPPORT LIFTING HOOD | NR | 9,96 |
| 1 | 4 | 80998 | | SCREW | NR | 1,01 |
| 1 | 5 | 80069 | | HOOD DRIVE | NR | 28,79 |
| 1 | 6 | 80638 | | TOP BACK PANEL | NR | 19,50 |
| 1 | 7 | 80167 | | BACK PANEL | NR | 124,85 |
| 1 | 8 | 80275 | C.80275 | COIL HOOKING BRACKET - COMPLETE | NR | 32,13 |
| 1 | 9 | 80277 | C.80277 | SPRING HOOKING SLIDE | NR | 4,93 |
| 1 | 10 | 926007 | CMT549 | EXTENSION STEEL SPRING FOR DISHWASHER | NR | 32,54 |
| 1 | 11 | 80190 | C.80190 | BRACKET | NR | 3,10 |
| 1 | 12 | 926009 | DAG332 | SPRING ADJUSTMENT HOOK | NR | 12,57 |
| 1 | 13 | 80023 | C.80023 | BRACKET | NR | 37,23 |
| 1 | 14 | 80105 | C.80105 | PARE-CHOCS CAPOT | NR | 6,07 |
| 1 | 15 | 80027 | C.80027 | BIG HANDLE | NR | 172,00 |
| 1 | 16 | 41042 | C.41042 | ADHESIVE PLUG | NR | 4,41 |
| 1 | 17 | 80240 | | RACK FRAME | NR | 142,56 |
| 1 | 18 | 69571 | | LEFT SIDE PANEL | NR | 67,83 |
| 1 | 19 | 69572 | | RIGHT SIDE PANEL | NR | 66,15 |
| 1 | 20 | 80078 | C.80078 | support bracket | NR | 12,37 |
| 1 | 21 | 73100 | | FOOT | NR | 18,73 |
| 1 | 22 | 69200 | | FRONT PANEL | NR | 86,14 |
| 2 | 1 | 214086 | | TRANSPARENT PROTECTION FOR ELECTRIC | NR | 10,08 |
| 2 | 3 | 69401 | | PANEL FOR ELECTRICAL COMPONENTS | NR | 29,75 |
| 2 | 4 | 73350 | | CONTACTOR | NR | 42,84 |
| 2 | 5 | H.228048 | | PLUG | NR | 3,59 |
| 2 | 6 | 228010 | | FUSE | NR | 1,31 |
| 2 | 7 | H.228047 | | FUSE-HOLDER | NR | 17,73 |
| 2 | 8 | 215034-5 | | MAIN BOARD | NR | 104,24 |
| 2 | 9 | 215037 | | MECHANICAL INTERFACE BOARD | NR | 14,83 |
| 2 | 10 | CWP2 | | FOOT | NR | 1,38 |
| 2 | 11 | 69063 | | support bracket | NR | 8,90 |
| 2 | 12 | 214088 | | ELECTRIC PROTECTION 220x110 | NR | 15,99 |
| 2 | 13 | 220011 | REB220011 | TERMINAL BLOCK | NR | 9,59 |
| 2 | 14 | 929103 | DEP520 | CABLE GLAND | NR | 5,39 |
| 2 | 15 | 80997 | | power cable | NR | 35,37 |
| 2 | 16 | 69797 | | NOT IN PRICE-LIST | | |
| 2 | 17 | 208010 | REB208010 | DOUBLE SWITCH | NR | 7,05 |
| 2 | 18 | 226102 | REB226102 | ELLIPTICAL PUSH-BUTTON | NR | 1,38 |
| 2 | 19 | 226128 | | push button case | NR | 1,02 |
| 2 | 20 | 227079 | | BUTTON | NR | 0,98 |
| 2 | 21 | 216029 | | PILOT LAMP | NR | 5,28 |
| 2 | 30 | 80934 | | FLAT CABLE | NR | 16,37 |
| 2 | 31 | 461028 | | foot board support | NR | 0,52 |
| 2 | 35 | 215036 | | MAIN BOARD | NR | 36,11 |
| 3 | 1 | 121146 | | STAINER | NR | 12,48 |
| 3 | 2 | 230118 | | TANK HEATING ELEMENT | NR | 47,42 |
| 3 | 3 | 437086 | REB437086 | PACKING OF THE TANK RESISTANCE | NR | 4,85 |
| 3 | 4 | 80871 | | MAGNETIC DOOR SWITCH | NR | 20,20 |
| 3 | 5 | 236052 | | THERMOSTAT | NR | 9,67 |
| 3 | 6 | 926189 | DRT140 | CONTACT SAFETY-THERMOSTAT (REPLACES | NR | 9,47 |

| | | | | | | |
|---|----|--------------|------------|--|----|--------|
| 3 | 7 | 236035 | REB236035 | CONTACT THERMOSTAT TANK | NR | 9,74 |
| 3 | 8 | 41953 | | NOT IN PRICE LIST | | |
| 3 | 9 | 80952 | | support bracket | NR | 8,57 |
| 3 | 10 | 468151 | DZR150NT | STAINLESS STEEL INLET DETERGENT ELBOW, | NR | 18,97 |
| 3 | 11 | 143194 | REB143194 | PIPE | MT | 0,99 |
| 3 | 12 | 143267 | | PIPE | NR | 23,41 |
| 3 | 13 | 209038 | | detergent dispenser | NR | 108,69 |
| 3 | 14 | 121993 | | filter aid dispenser | NR | 7,49 |
| 3 | 15 | 224025 | | PRESSURE SWITCH | NR | 25,15 |
| 3 | 16 | 224023 | | PRESSURE SWITCH | NR | 24,60 |
| 3 | 17 | 143131 | SPG47 | PIPE | MT | 2,64 |
| 3 | 18 | 107013 | | AIR TRAP for pressure switch | NR | 5,50 |
| 3 | 19 | 456073 | | O-ring | NR | 0,30 |
| 3 | 20 | 142058 | | OVERFLOW PIPE | NR | 9,96 |
| 3 | 21 | 456081 | | O-ring | NR | 1,54 |
| 3 | 22 | 121120 | | STAINER | NR | 12,24 |
| 3 | 23 | 429072 | | RING NUT | NR | 8,32 |
| 3 | 24 | 456076 | | O-ring | NR | 2,91 |
| 3 | 25 | 136028 | | ASPIRATION AND DRAIN BODY | NR | 18,08 |
| 3 | 26 | 127082 | | DELIVERY WASH HOSE | NR | 14,70 |
| 3 | 27 | CFS1 | | HOSE CLAMP | NR | 4,73 |
| 3 | 28 | 143252 | | DRAIN HOSE | NR | 17,17 |
| 3 | 45 | 231016 | | TEMPERATURE PROBE | NR | 26,42 |
| 3 | 46 | H.775489-001 | | Support temperature probe | NR | 4,85 |
| 4 | 1 | 69017 | | MAINFOLD | NR | 25,70 |
| 4 | 2 | 80178 | C.80178 | GASKET | NR | 3,20 |
| 4 | 3 | 80174 | | PIPE FITTING | NR | 17,62 |
| 4 | 4 | CFS1A | | HOSE CLAMP | NR | 3,96 |
| 4 | 5 | 69020 | | PIPE | NR | 107,10 |
| 4 | 6 | CFS1 | | HOSE CLAMP | NR | 4,73 |
| 4 | 7 | 429073 | | RING NUT | NR | 7,19 |
| 4 | 8 | 437102 | | GASKET | NR | 1,96 |
| 4 | 9 | 69016 | | MAINFOLD | NR | 12,36 |
| 4 | 10 | 127085 | | DELIVERY WASH HOSE | NR | 20,34 |
| 4 | 11 | 423008 | CFS24 | HOSE CLAMP | NR | 2,83 |
| 4 | 12 | 127082 | | DELIVERY WASH HOSE | NR | 14,70 |
| 4 | 13 | 136028 | | ASPIRATION AND DRAIN BODY | NR | 18,08 |
| 4 | 15 | 441009 | REB441009 | GASKET | NR | 1,38 |
| 5 | 1 | 69020 | | PIPE | NR | 107,10 |
| 5 | 2 | 80174 | | PIPE FITTING | NR | 17,62 |
| 5 | 3 | 927322 | CFS14 | HOSE CLAMP | NR | 2,83 |
| 5 | 4 | 143010 | SPG61 | RUBBER PIPE 12X19,5 | MT | 11,48 |
| 5 | 5 | 143268 | | junction "Y" | NR | 6,08 |
| 5 | 6 | 143270 | | INLET WRAS PIPE | NR | 6,56 |
| 5 | 7 | 69016 | | MAINFOLD | NR | 12,36 |
| 5 | 8 | 104060 | | BOILER | NR | 121,38 |
| 5 | 9 | 926189 | DRT140 | CONTACT SAFETY-THERMOSTAT (REPLACES | NR | 9,47 |
| 5 | 10 | 456002 | REB456002 | O-ring | NR | 1,15 |
| 5 | 12 | 230020C | REB230020C | KIT HEATING ELEMENTS REB230020 (8KW) | NR | 81,00 |
| 5 | 13 | 69870 | | BOILER HEATING ELEMENT PROTECTION | NR | 3,57 |
| 5 | 14 | 423010 | CFS8 | HOSE CLAMP | NR | 2,31 |
| 5 | 15 | 143005 | SPG10 | LINEN RUBBER PIPE 5X12 - BLACK | MT | 11,50 |
| 5 | 16 | H.775601 | | PIPE | MT | 3,15 |
| 5 | 17 | 209037 | | RINSE AID-DISPENSER | NR | 134,03 |
| 5 | 18 | 121993 | | filter aid dispenser | NR | 7,49 |
| 5 | 19 | 144010 | REB144010 | NON RETURN VALVE | NR | 14,17 |

| | | | | | | |
|---|----|---------|-----------|------------------------------|----|--------|
| 5 | 20 | 240016 | DEV3S16 | SOLENOID VALVE | NR | 17,49 |
| 5 | 21 | 437041 | REB437041 | GASKET | NR | 1,39 |
| 5 | 34 | 143266 | | PIPE | NR | 35,37 |
| 5 | 35 | 80952 | | support bracket | NR | 8,57 |
| 6 | 1 | 80184 | | SEALING RING | NR | 21,02 |
| 6 | 2 | 74003 | | TOP PIVOT | NR | 31,88 |
| 6 | 7 | 437117 | | WASHER | NR | 0,40 |
| 6 | 8 | 454006 | | RING NUT | NR | 4,18 |
| 6 | 10 | 990130 | | RINSE AND WASH ARM | NR | 23,93 |
| 6 | 11 | 325109 | | PIVOT | NR | 15,68 |
| 6 | 12 | 429073 | | RING NUT | NR | 7,19 |
| 6 | 13 | 437102 | | GASKET | NR | 1,96 |
| 7 | 1 | 69122 | | ELECTROPUMP | NR | 203,96 |
| 7 | 2 | 69122HZ | | ELECTROPUMP | NR | 219,83 |
| 7 | 3 | 335015 | | WASHPUMP FUN | NR | 11,59 |
| 7 | 4 | 206002 | REB206002 | CAPACITOR | NR | 26,25 |
| 7 | 5 | 69400 | | support bracket | NR | 21,46 |
| 7 | 6 | 141008 | | WASHPUMP SHAFT SEAL | NR | 8,45 |
| 7 | 7 | 141009 | | WASHPUMP SHAFT SEAL | NR | 8,45 |
| 7 | 8 | 124057 | | ELECTROPUMP IMPELLER | NR | 35,70 |
| 7 | 9 | 124060 | | ELECTROPUMP IMPELLER | NR | 36,28 |
| 7 | 10 | 456078 | | O-ring | NR | 4,57 |
| 7 | 11 | 480148 | | PLUG | NR | 26,94 |
| 7 | 12 | 429074 | | RING NUT | NR | 15,14 |
| 7 | 13 | 486242 | | SCREW | NR | 0,16 |
| 7 | 14 | 116032 | | ELECTROPUMP HOUSING | NR | 25,50 |
| 8 | 1 | 70710 | | NOT IN PRICE-LIST | | |
| 8 | 2 | 70710HZ | | NOT IN PRICE-LIST | | |
| 8 | 3 | 224023 | | PRESSURE SWITCH | NR | 24,60 |
| 8 | 4 | 143131 | SPG47 | PIPE | MT | 2,64 |
| 8 | 5 | 107014 | | AIR TRAP for pressure switch | NR | 4,90 |
| 8 | 6 | DZS151 | | DRAIN HOSE | NR | 20,89 |
| 8 | 7 | CFS18 | | HOSE CLAMP | NR | 3,26 |
| 8 | 8 | 130177 | | DRAIN PUMP | NR | 57,43 |
| 8 | 9 | 130181 | | DRAIN PUMP | NR | 78,26 |
| 8 | 10 | CFS1 | | HOSE CLAMP | NR | 4,73 |
| 8 | 11 | 70097 | | DRAIN HOSE | NR | 10,77 |