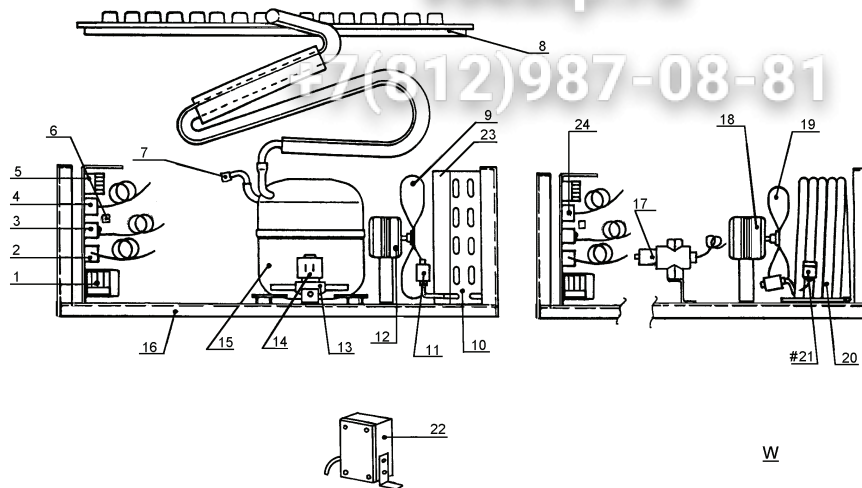


Ref.	Description	Refrigerant	A/W	Tension	Code
1	Evaporator basin				10055
2	Top fixing pin				20024
3	Sprayers bar assembly				C20144
4	Sprayer				D20002
5	Sprayers bar plug				10012
6	Overflow tube assembly				C10133
7	Plastic nipple water outlet				10007
9	Sprayers feeding pipe connection assy				C13037
10	Pump suction filter				20005
11	Foamed cabinet assy				C11020
12	Back grid				D12035
13	Discharges manifold		A		C10006
13	Discharges manifold		W		C26452
14	Inlet watervalve 1 way		A	1-2	23108
14	Inlet watervalve 1 way		A	3	23281
14	Inlet water valve 2 ways		W	1-2	23138
14	Inlet water valve 2 ways		W	3	23282
15	Ice cubes slide				D12022
16	Evaporator cover				10058
17	Rear panel				22127
18	Top assembly				C22124
19	Front panel assembly				C22125
20	Flags support assy				C22134
21	Suction impeller				10213
22	Hub+washer+screw				10014
23	Pump motor			1-2	23068
23	Pump			3	23264
24	Pump delivery pipe				13014
25	Pump suction pipe				13013
26	Lateral grid				D12036

**Note:**



Ref.	Description	Refrigerant	A/W	Tension	Code
1	Timer	R404A		1	23247
1	Timer	R404A		2	23222
1	Timer	R404A		3	23258
1	Timer	R22		1	23222
1	Timer	R22		2	23248
2	Evaporator thermostat				23591
3	Bin thermostat				23005
4	Condenser pressure switch		A		23175
5	Contacteur			1-2	23594
5	Contacteur			3	23595
6	Anti radio interference filter		A	1	23459
7	Vacuum-charge valve device				14005
7	Vacuum-charge valve plug				14006
7	Vacuum- charge valve body				14007
8	Evaporator				D10214
9	Suction fan			1-2	20407
9	Suction fan 254/34			3	20031
10	Air condenser		A		20426
11	Solid core drier				14084
12	Fan motor		A	1-2	23121
12	Fan motor			3	23393
13	Hot gas valve body				20409
14	Hot gas coil			1-2	23091
14	Hot gas coil			3	23256
15	Compressor	R404A		1	23438
15	Compressor	R404A		2	23466
15	Compressor	R404A		3	23586
15	Compressor	R22		1	23301
15	Compressor	R22		2	23432
16	Base plate				21078
17	Pressure valve		W		20210
18	Fan motor		W	1-2	23029
18	Fan motor		W	3	23265
19	Suction impeller		W		10213
20	Water condenser		W		14081
21	Safety thermostat		W		C23114
22	Box for compressor electrical kit	R22		1	C23306
22	Box for compressor electrical kit	R22		2	C23296
23	Conveyor	R404A	A	3	10238
24	Pressure switch		W		23342

**Note:** Code 23222 from September 1992. Before Code 23003.  
 Code 20426 from serial no. 43018. Before Code 20148.  
 Code 20407 from serial no. 43018. Before Code 20153.  
 Code C23114 till serial no. 105977.  
 Code 23342 from serial no. 105977.

**Зип Общепит**

**vsezip.ru**

**+7(812)987-08-81**

**Erklärung zu Ersatzteillisten in den Spalten Tension-Spannung**

<b>1</b>	Spannung	220-240V	50Hz
<b>2</b>	Spannung	220-230V	60Hz
<b>3</b>	Spannung	110 115V	60Hz
<b>4</b>	Spannung	230V3P	50Hz
<b>5</b>	Spannung	400V	50Hz
<b>6</b>	Spannung	220-230V3P	60Hz
<b>7</b>	Spannung	440-460V3P	60Hz