

**Electronic
modular flaker
SPN 1205**

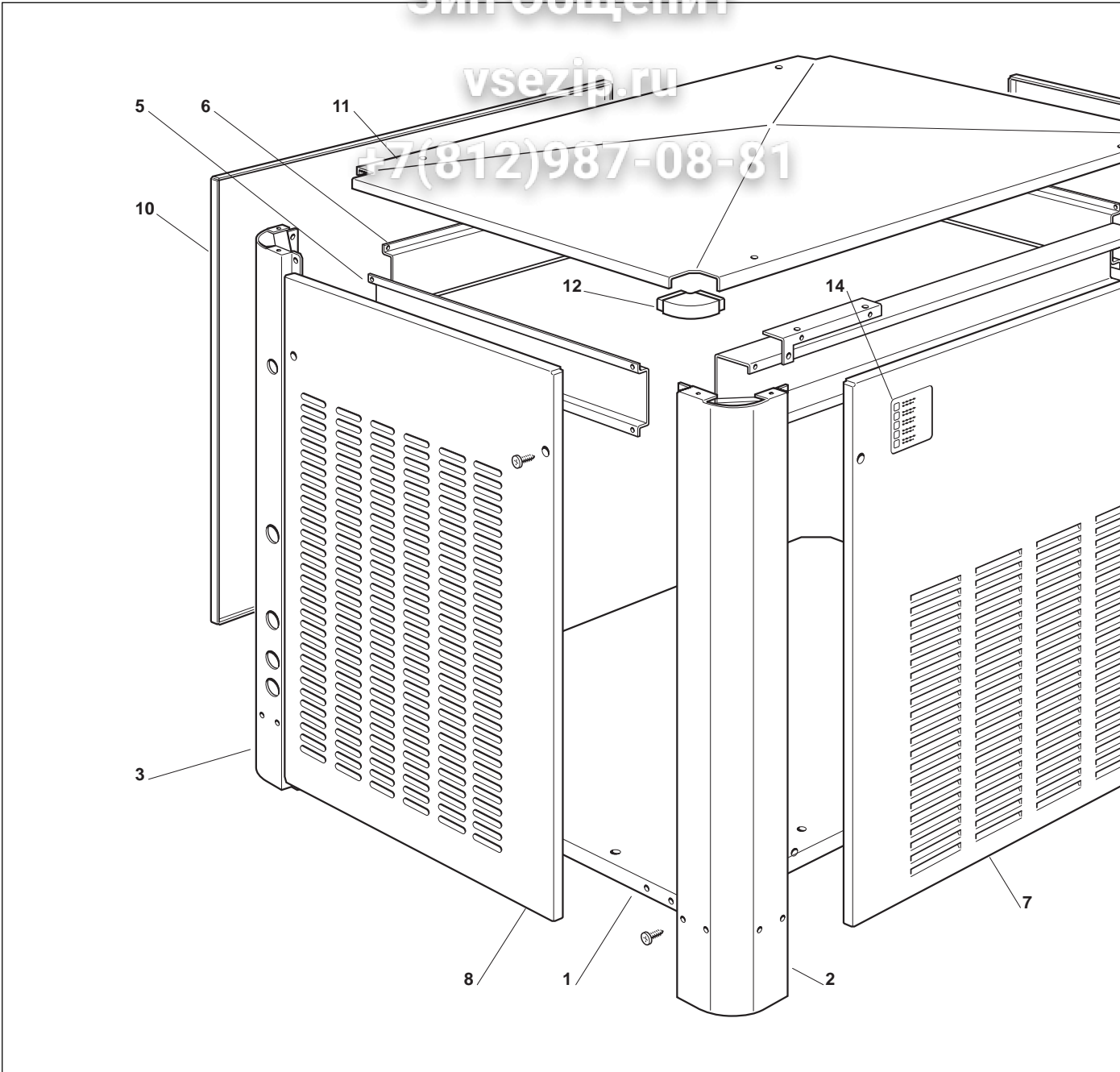
**SPARE PARTS LIST
CATALOGO RICAMBI
CATALOGUE PIÈCES DÉTACHÉES
ERSATZTEILENKATALOG**

PAGE PAGINA PAGE SEITE	TABLE OF CONTENTS	INDICE	TABLE DES MATIÈRES
1	TABLE OF CONTENTS	INDICE	TABLE DES MATIÈRES
2-3	UNIT PANELS	ASSIEME MOBILE	ENS. CARROSSERIE
4-5	REFRIGERANT SYSTEM AIR COOLED	SISTEMA REFRIGERANTE RAFFR. AD ARIA	CIRCUIT FRIGORIFIQUE REFROID. A AIR
6-7	REFRIGERANT SYSTEM WATER COOLED	SISTEMA REFRIGERANTE RAFFR. AD ACQUA	CIRCUIT FRIGORIFIQUE REFROID. A EAU
8-9	WATER SYSTEM AND INSULATIONS	CIRCUITO IDRAULICO ED ISOLAMENTI	CIRCUIT HYDRAULIQUE ET INSULATIONS
10-11	FREEZER AND GEAR REDUCER ASSY	ASSIEME FREEZER E RIDUTTORE	ENS. FREEZER ET MOTOREDUCTEUR
12-13	P.C. BOARD AND SENSORS ASSY	SCHEMA ELETTRONICA E SENSORI	ENS. CARTE ELECTRONIQUE ET DETECTEURS
14	COMPRESSOR CHARTS	TABELLA COMPRESSORI	LISTE DES COMPRESSEURS

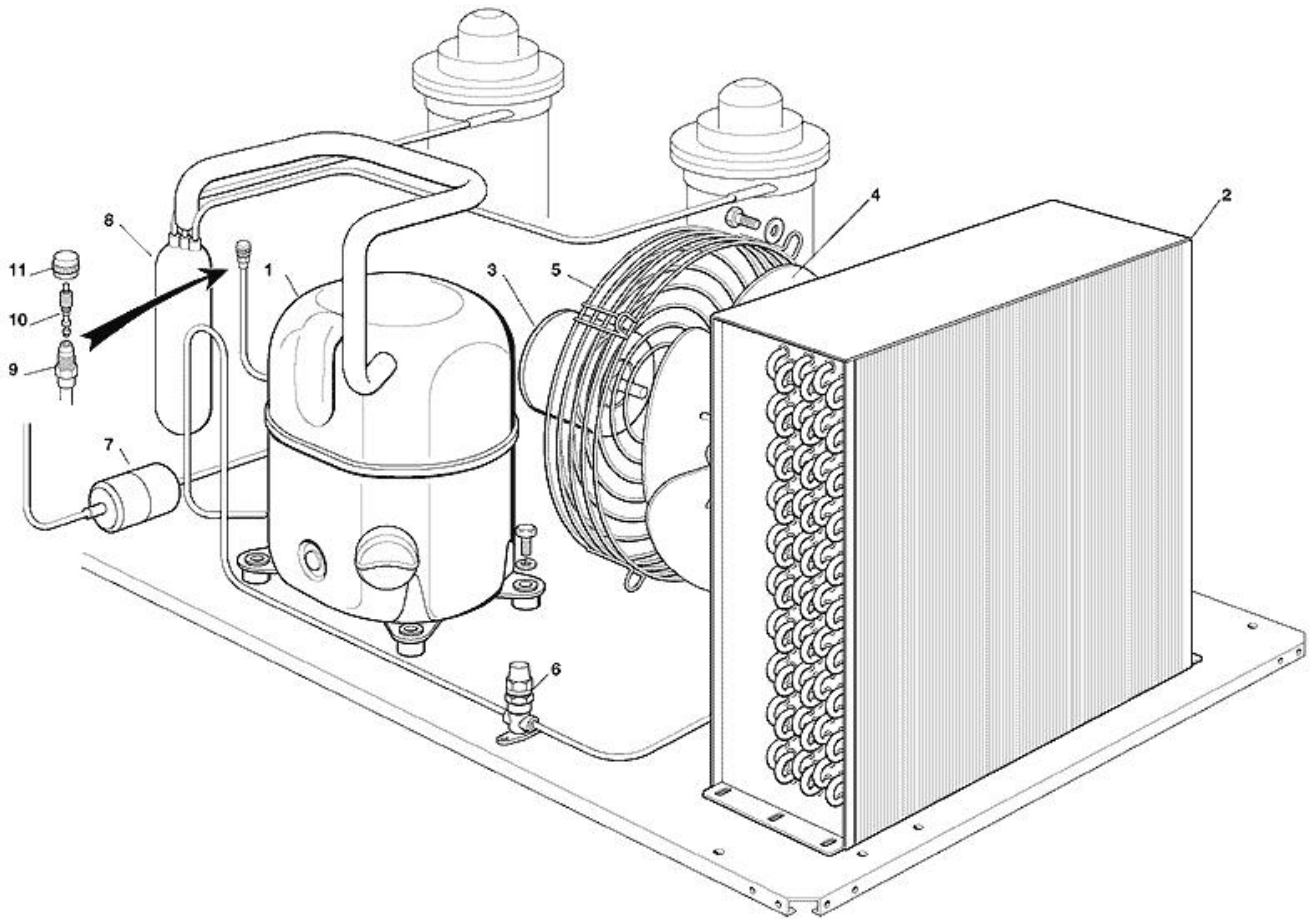
Зип-Общепит

vsezip.ru

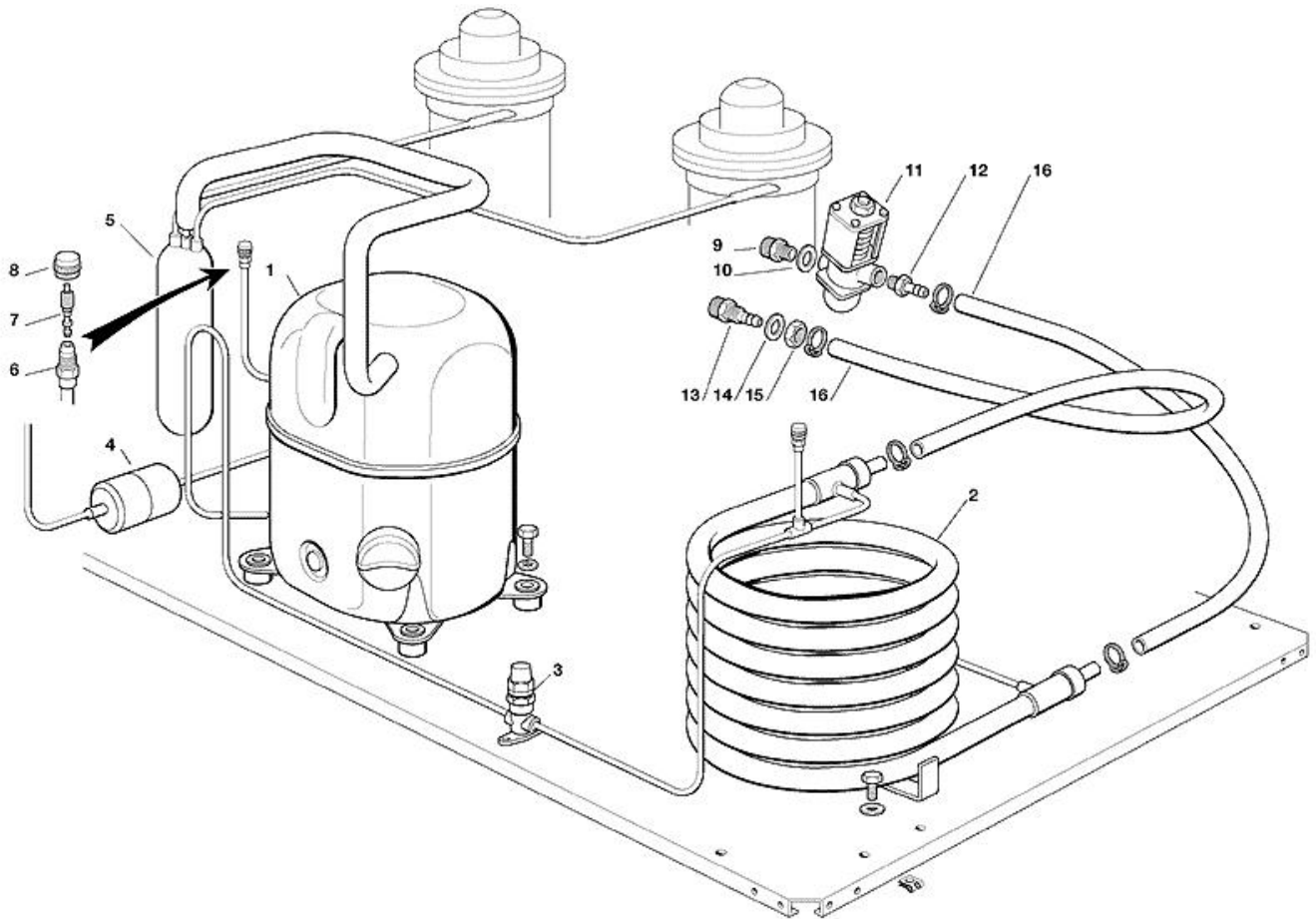
+7(812)987-08-81



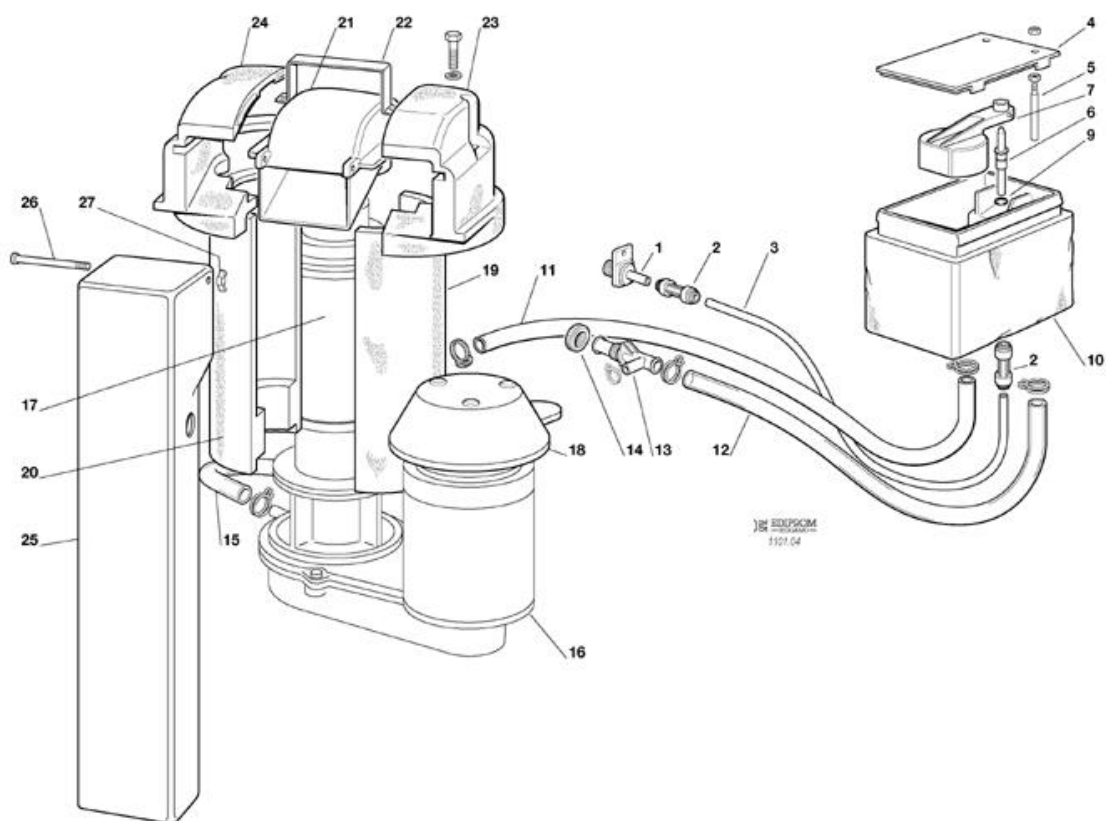
Pos	Code	Description
0001	781430 00	UNIT BASE
0002	781431 00	METAL BRACKET
0003	781431 01	METAL BRACKET
0004	702299 00	METAL PLATE
0005	702298 01	METAL PLATE
0006	702298 00	METAL BRACKET
0007	721816 00	FRONT PANEL S.S.
0008	721817 00	SIDE PANEL S.S.
0009	721817 00	SIDE PANEL S.S.
0010	702297 00	REAR PANEL S.S.
0011	721818 00	TOP PANEL S.S.
0012	660671 00	PLASTIC CORNER
0013	650976 00	SIMAG LOGO
0014	650624 04	LABEL



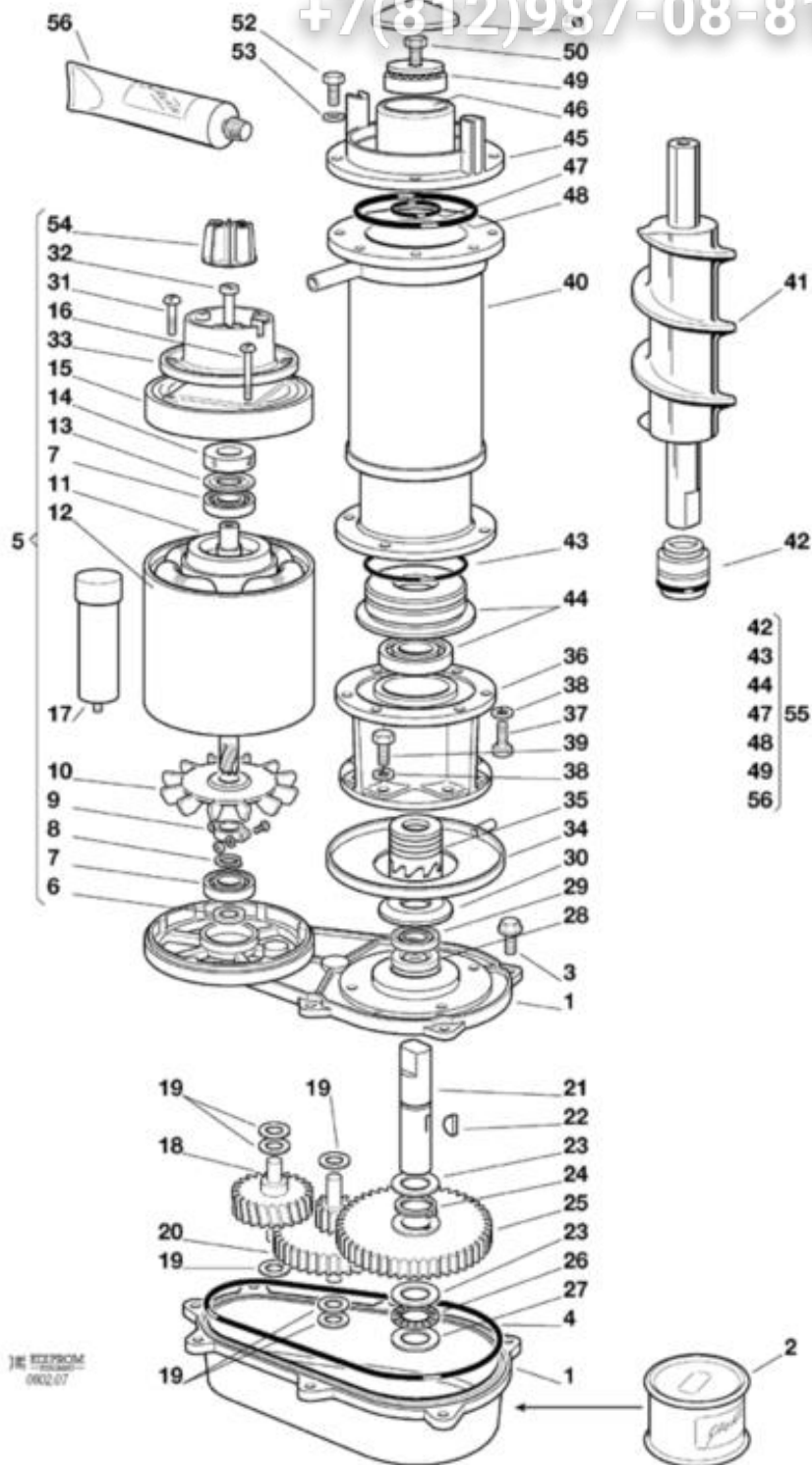
Pos	Code	Description
0001	670098 06	COMPRESSOR - 400/50-60/3
0001	670098 08	COMPRESSOR - 230/50-60/3
0002	620459 00	AIR CONDENSER
0003	620490 00	FAN MOTOR
0004	620274 00	FAN BLADE
0005	620338 00	FAN GRID
0006	620372 05	SERVICE VALVE
0007	670024 00	FILTER
0008	784566 00R	SUCTION LINE/ACCUMULATOR
0009	650109 00	VALVE BODY
0010	670012 00	VALVE CORE
0011	650106 00	CAP



Pos	Code	Description
0001	670098 06	COMPRESSOR - 400/50-60/3
0001	670098 08	COMPRESSOR - 230/50-60/3
0002	620390 02	CONDENSER
0003	620372 05	SERVICE VALVE
0004	670024 00	FILTER
0005	784566 00R	SUCTION LINE/ACCUMULATOR
0006	650109 00	VALVE BODY
0007	670012 00	VALVE CORE
0008	650106 00	CAP
0009	733204 00	WATER INLET FITTING
0010	400031 01	WASHER
0011	620111 00	WATER REGUL. VALVE
0012	733173 01	FITTING
0013	733174 00	FITTING
0014	400031 00	WASHER
0015	400076 00	NUT
0016	281900 03	TUBE 18X12

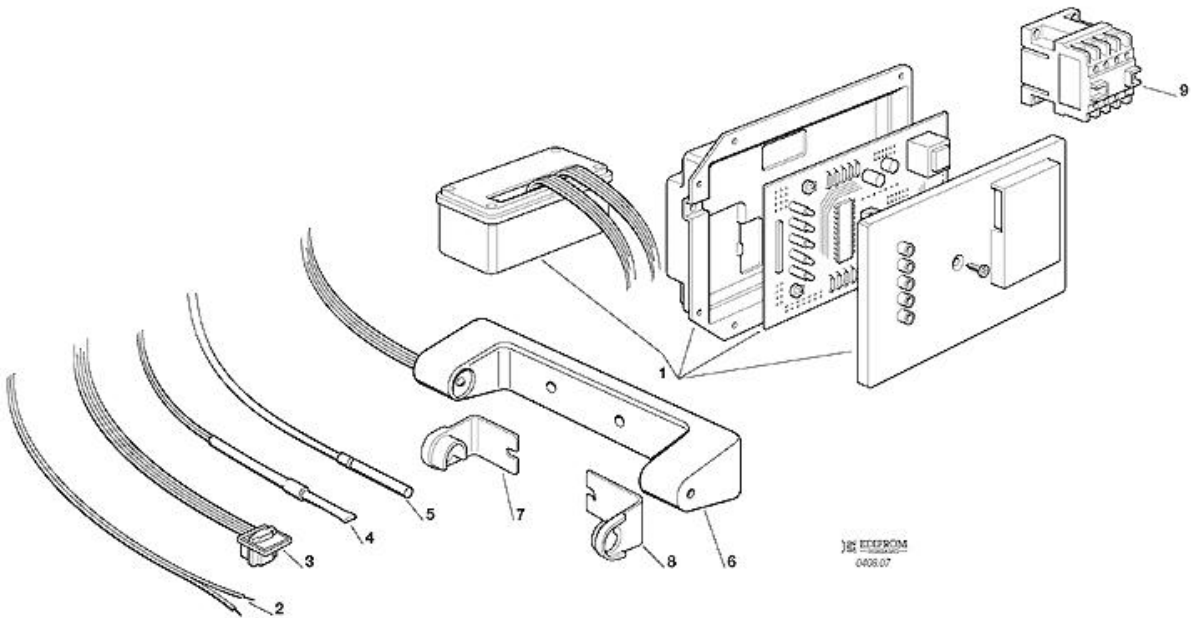


Pos	Code	Description
0001	650104 00	STRAINER
0001	660956 00	PLASTIC WATER INLET FITTING
0002	651224 04	WATER FITTING
0003	651206 02	POLYETHYLENE TUBE
0004	660363 00	COVER
0005	724215 06	WATER LEVEL METAL PIN
0006	660957 00	PLASTIC NOZZLE
0007	660585 00	FLOAT VALVE
0009	640100 00	O RING
0010	660352 00	INSULATION
0010	660459 00	WATER RESERVOIR ONLY
0011	281822 00	PLASTIC HOSE
0012	281832 00	TUBE
0013	660224 00	TEE TUBE
0014	660535 00	PLASTIC NUT
0015	610171 02	TUBE
0016	794215 08R	GEAR REDUCER ASSY
0017	794298 00R	FREEZER ASSY
0018	660553 00	GEAR MOTOR COVER
0019	060551 06	KIT INSULATION, FREEZER
0020	060551 06	KIT INSULATION, FREEZER
0021	660667 00	SPOUT ASSY
0022	725035 01	SPOUT BRACKET
0023	060551 01	KIT INSULATION, SPOUT
0024	060551 01	KIT INSULATION, SPOUT
0025	660933 03	ICE CHUTE
0026	724180 02	TIE ROAD
0027	430083 00	NUT



Pos	Code	Description
0001	0A031230 01	GEAR CASE
0002	060294 04	
0003	03001251 01	SCREW 5/16-13x1
0004	13000617 38	O RING
0005	060273 06	MOTOR ONLY MFB
0006	02001606 00	OIL SEAL
0007	651053 00	BEARING
0008	441800 04	WASHER
0009	650341 00	BRACKET
0010	650340 00	FAN
0011	794216 00R	ROTOR ASSY
0012	620295 00	STATOR
0013	460041 00	RING
0014	640095 01	RUBBER INSERT
0015	650339 00	COVER
0016	400078 00	CONNECTOR
0017	620520 01	CAPACITOR
0018	651156 00	GEAR
0019	03001408 24	WASHER
0020	651157 00	GEAR
0021	651159 00	SHAFT
0022	03001364 00	KEY
0023	02001681 00	TRUST WASHER
0024	03001363 00	CLIP RING
0025	651158 00	GEAR
0026	02001680 00	TRUST BEARING
0027	02001679 00	TRUST WASHER
0028	02001607 01	OIL SEAL
0029	02002853 01	OIL SEAL
0030	13000709 02	RUBBER GASKET
0031	400078 00	CONNECTOR
0032	03001403 77	SCREW
0033	650515 01	MOTOR COVER
0034	640000 00	GASKET
0034	660755 00	DRIP PAN
0035	060359 01	KIT COUPLING MF
0036	764007 01	BRACKET
0037	420019 00	SCREW
0038	440015 04	WASHER
0039	429701 00	SCREW
0040	784456 00	WORM TUBE
0041	640041 01	O RING
0041	724198 03	AUGER
0042	650402 00	WATER SEAL
0043	640093 00	O RING

Pos	Code	Description
0044	060527 01	BEARING + RETAINER KIT
0045	751005 01	ICE BREAKER ONLY
0046	263612 00	GREASE
0047	640109 00	X RING
0048	640093 03	O RING
0049	651058 00	BEARING
0050	423915 00	SCREW
0051	660507 00	CUP
0052	420019 00	SCREW
0053	440015 04	WASHER
0054	784476 01	MAGNETO ASSY
0055	060692 00	KIT BEARING + SEAL MF
0056	263612 00	GREASE



Pos	Code	Description
0001	620404 20	INTERFACE PC BOARD
0001	620462 18	SYEN PC BOARD
0001	630015 15	FUSIBLE - 10.4A- 250V
0002	620519 02	WATER LEVEL SENSOR
0003	620404 03	HALL SENSOR
0004	620519 04	CONDENSER SENSOR
0005	620519 01	EVAPORATOR SENSOR
0006	650674 06	ICE LEVEL CTL.
0007	660720 00	PLASTIC COVER
0008	660720 01	PLASTIC COVER
0009	620513 00	THERMAL RELAY - 230V
0009	620513 01	THERMAL RELAY - 400V
0009	630148 00	CONTACTOR

Зип Общепит
vsezip.ru
+7(812)987-08-81

SIMAG
ICE MACHINES

www.simag.it

SIMAG
via Risorgimento, 4
20017 Mazzo di Rho (MI) - Italy
Tel. +39 02 93900215 (Commerciale - Sales Dept.)
Tel. +39 02 93960357 (Assistenza - Service Dept.)
Fax +39 02 93900226 (Commerciale - Sales Dept.)
Fax +39 02 93960366 (Assistenza - Service Dept.)
e-mail: sales@simag.it
e-mail: service@simag.it

Singapore Office
SIMAG FAR EAST
627A Aljunied Road
04-04 Biztech Centre
Singapore 389842
Tel. ++65 6738 5393
Fax ++65 6738 1959
e-mail: scotsice@singnet.com.sg



Certified ISO 9001
TOTAL QUALITY

