

Зип Общепит

vsezip.ru

+7(812)987-08-81

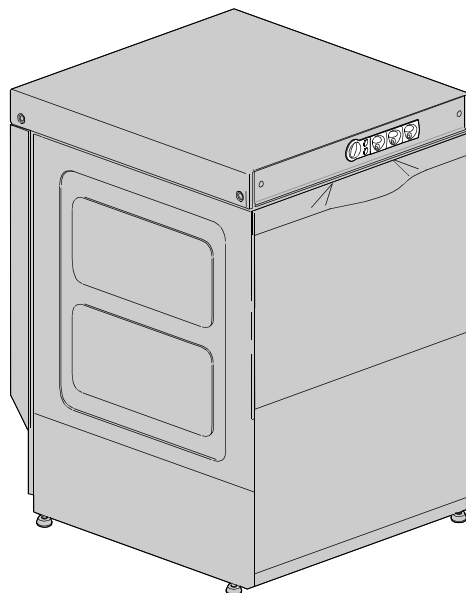
DISHWASHER

ELECTROMECHANICAL SWITCHES
LOWER WASHING
LOWER AND UPPER WASHING

TYPE: 74U

Accessories
BREAK TANK
BOOSTER PUMP
DVGW
COLD RINSE
WATER SOFTNER
DETERGENT DISPENSER
DRAIN PUMP

Spare parts manual



Зип Общепит

vsezip.ru

+7(812)987-08-81

vsezip.ru

+7(812)987-08-81

1. Spare parts

General body parts.....	7
Lockup system	9
Control panel	11
Control electric components.....	13
Solenoid valve group	15
Solenoid valve group	17
Break Tank	19
Booster pump.....	21
DVGW	23
Water softner group.....	25
Shining product dosing device group .	27
Boiler group	29
3 ways derivation.....	31
3 ways derivation	33
4 ways derivation.....	35
Wash pump	37

Wash pump 39

Dosing device group 41

Drain pump group..... 43

Pressure switch group with air trap ... 45

Turret group with rotating arms 47

Turret group with rotating arms 49

1.1 Voltage codes

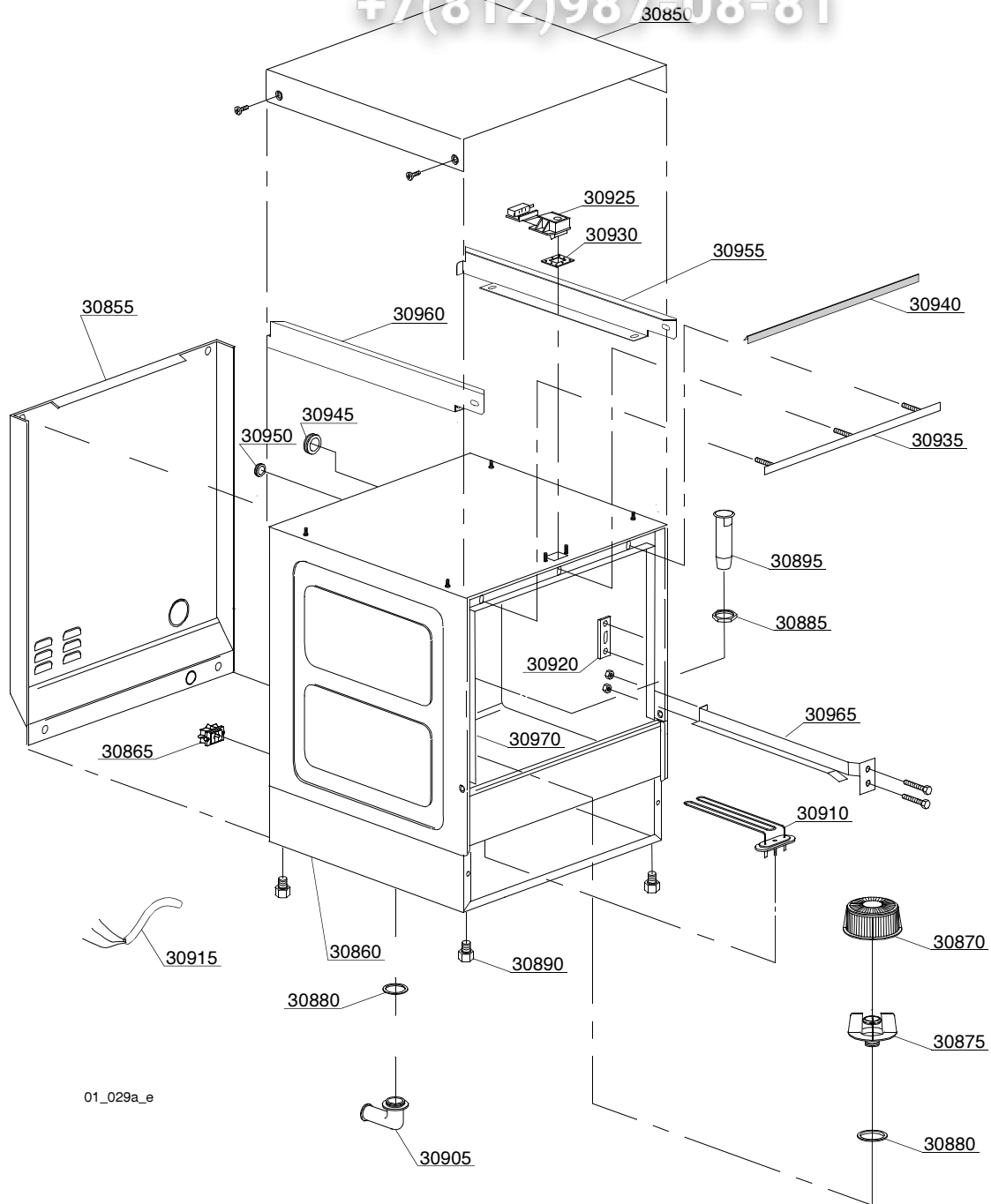
Voltage code	Voltage
A	3/N/PE~400/230V 50Hz
B	~250V 16A 50Hz
C	3/N/PE~380/220V 50Hz
D	3/PE~200V 50-60Hz
F	2/PE 220-240V 50Hz
G	3/N/PE~415/240V 50Hz
H	3/PE~230V 50Hz
I	3/PE~220V 60Hz
J	3/PE~380 50Hz
K	3/PE~400V 50Hz
L	3/PE~415V 50Hz
M	3/PE~440V 60Hz
N	3/PE~460V 60Hz
O	3/PE~480V 60Hz
P	1/N/PE~220-240V 50Hz
R	2/PE~220-230V 60Hz
S	3/N/PE~400/230V 50Hz
T	3/PE~230V 60Hz

1.2 Product codes

Product code	Full name
Model codes	
em	ELECTROMECHANICAL SWITCHES
cf	LOWER WASHING
ls	LOWER AND UPPER WASHING
Type codes	
74U	74U
Accessory codes	
bt	BREAK TANK
pap	BOOSTER PUMP
dvgw	DVGW
fs	COLD RINSE
d	WATER SOFTNER
dde	DETERGENT DISPENSER
ps	DRAIN PUMP

vsezip.ru

+7(812)987-08-81

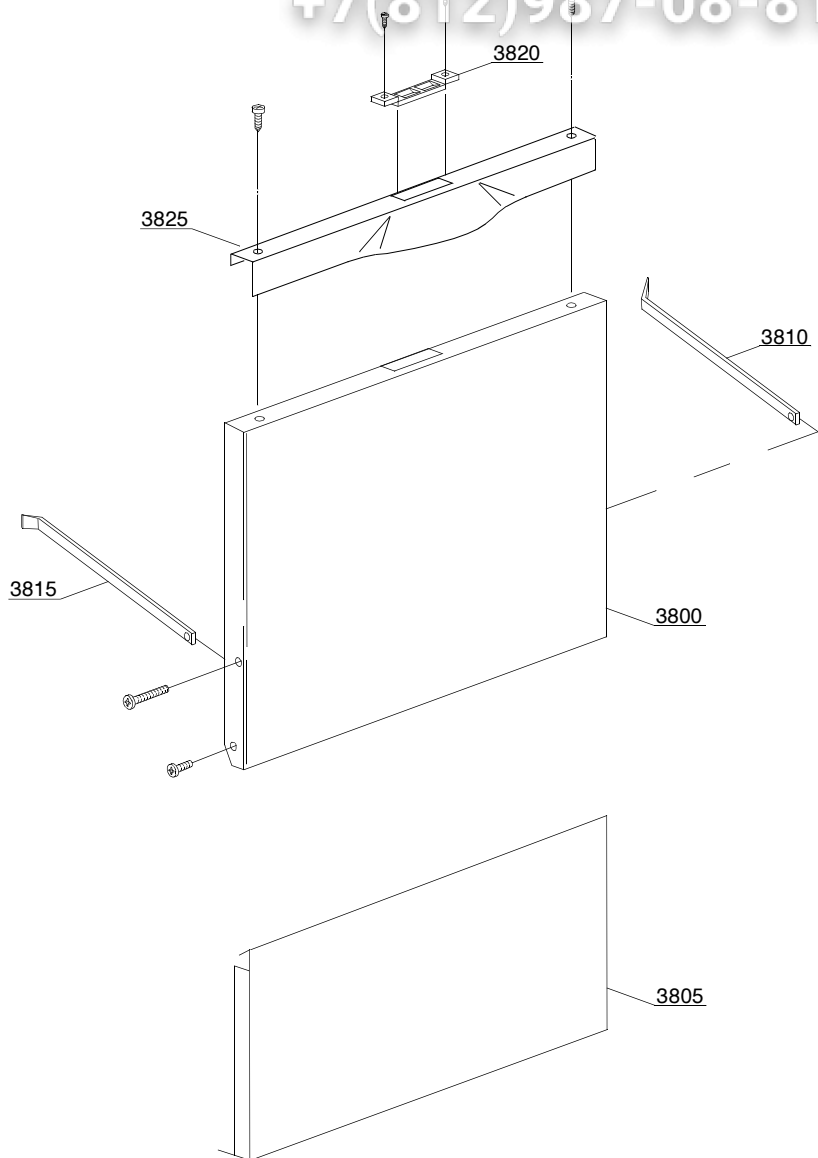


vsezip.ru

ID	P-code	Model	Type	Accessory	Voltage	Description
MODULE:General body parts						
30850	270022		74U			Cover
30855	270015		74U			Back panel
30860	270000		74U			Body
30860	270000		74U	ws		Body
30865	15065/A		74U			Cable-fastener with screw
30870	540002		74U			Filter for top body
30875	540000/A		74U			Top filter body
30880	13305		74U			44x32x3 drain elbow gasket
30885	11701/A		74U			Stainless steel nut
30890	10850		74U			M10x25 Ø40 black foot
30895	135252		74U			Overflow pipe
30905	10701		74U			Drain elbow
30910	16035/A		74U			1850W heating element
30915	10713		74U			3x2,5x2500 cable
30920	150401		74U			Door rod slide
30925	150402		74U			Door jack assembly
30930	150403		74U			Door jack gasket
30935	270004		74U			Door gasket angular
30940	135206		74U			Door gasket
30945	13317		74U			Ø40mm fairlead
30950	13323		74U			Ø13mm fairlead
30955	270018		74U			Left cover back support
30955	270018		74U			Left cover back support
30960	270019		74U			Right cover back support
30960	270019		74U			Right cover back support
30965	270002		74U			Right/left internal slide
30970	270003		74U			Right/left internal slide

vsezip.ru

+7(812)987-08-81



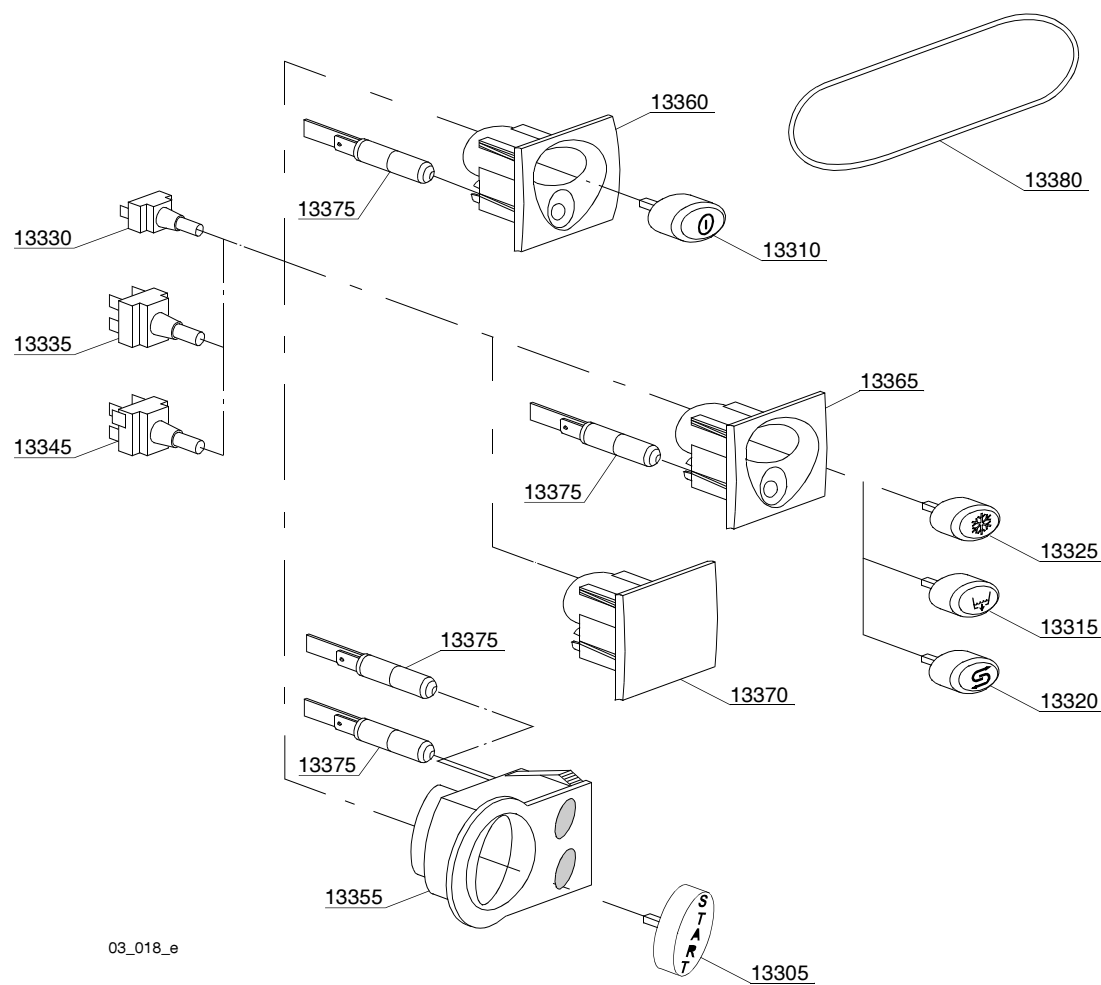
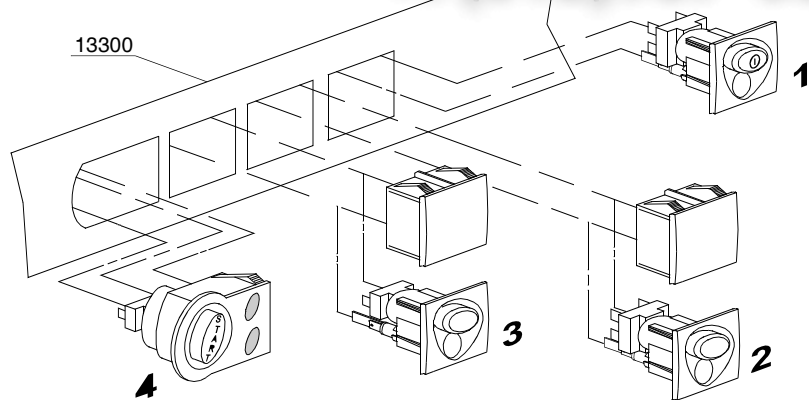
02_103_e

vsezip.ru

ID	P-code	Model	Type	Accessory	Voltage	Description
MODULE: Lockup system						
3800	270005		74U			Door
3805	270016		74U			Lower door
3810	250006		74U			Right door rod
3815	250007		74U			Left door rod
3820	150402/D		74U			Door jack
3825	270010		74U			Stainless steel handle

vsezip.ru

+7(812)987-08-81



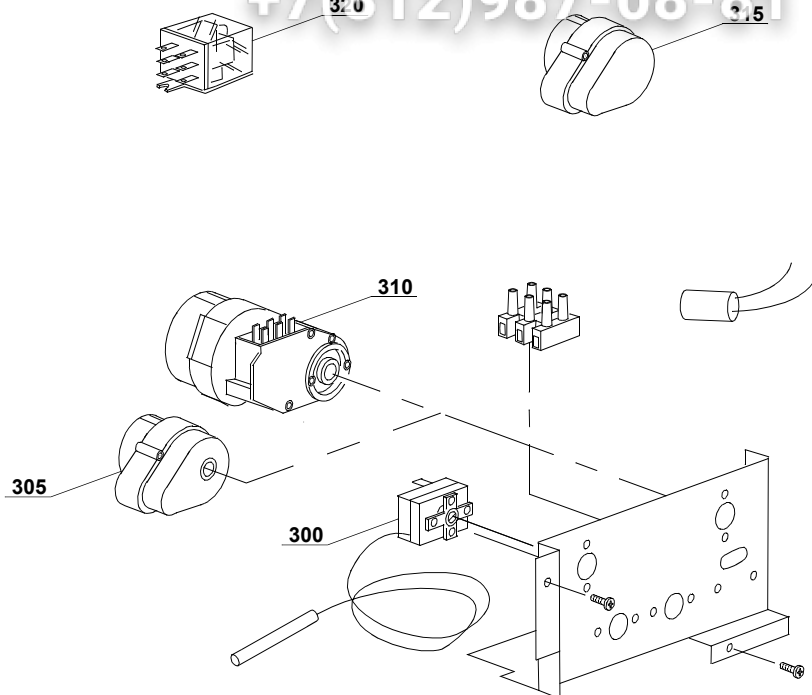
03_018_e

vsezip.ru

ID	P-code	Model	Type	Accessory	Voltage	Description
MODULE:Control panel						
13300	270025		74U			Control panel GS 40/03
13305	89347		74U			Start key
13310	89340		74U			ON-OFF key
13315	89343		74U	dp		Drain pump key
13320	89345		74U	ws		Regeneration key
13325	89344		74U	cr		Hot/cold key
13330	15813		74U			16A unipolar push button
13335	15812		74U			16A switch
13335	15800		74U			16A bipolar push button
13345	15811		74U			16A bipolar switch
13345	15811/A		74U			16A bipolar switch push button
13355	89301		74U			Start key support
13360	89304		74U			Key support
13365	89302		74U	dp,ws,cr		Key support
13370	89303		74U			Closed support
13375	15826		74U			Pilot light
13380	89333		74U			OR gasket

vsezip.ru

+7(812)987-08-81



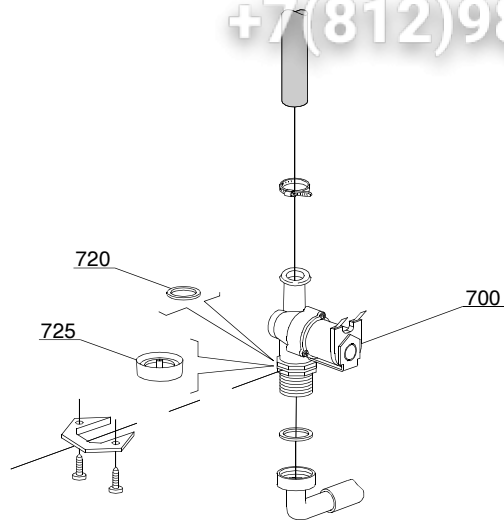
04_007_e

vsezip.ru

ID	P-code	Model	Type	Accessory	Voltage	Description
MODULE:Control electric components						
300	10707/1		74U			0-90°C thermostat
305	10708/L		74U			120"" timer
315	16064/A		74U	ws		Regeneration timer
320	15620		74U	dp		Bipolar relay in deviation

vsezip.ru

+7(812)987-08-81



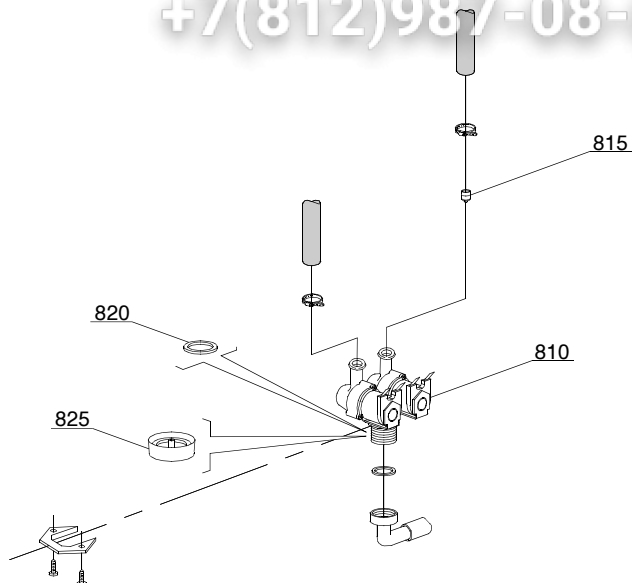
05_002_e

vsezip.ru

ID	P-code	Model	Type	Accessory	Voltage	Description
MODULE: Solenoid valve group						
700	10703		74U			Single solenoid valve
720	N.C.		74U			Pression reducing valve

vsezip.ru

+7(812)987-08-81



05_003_e

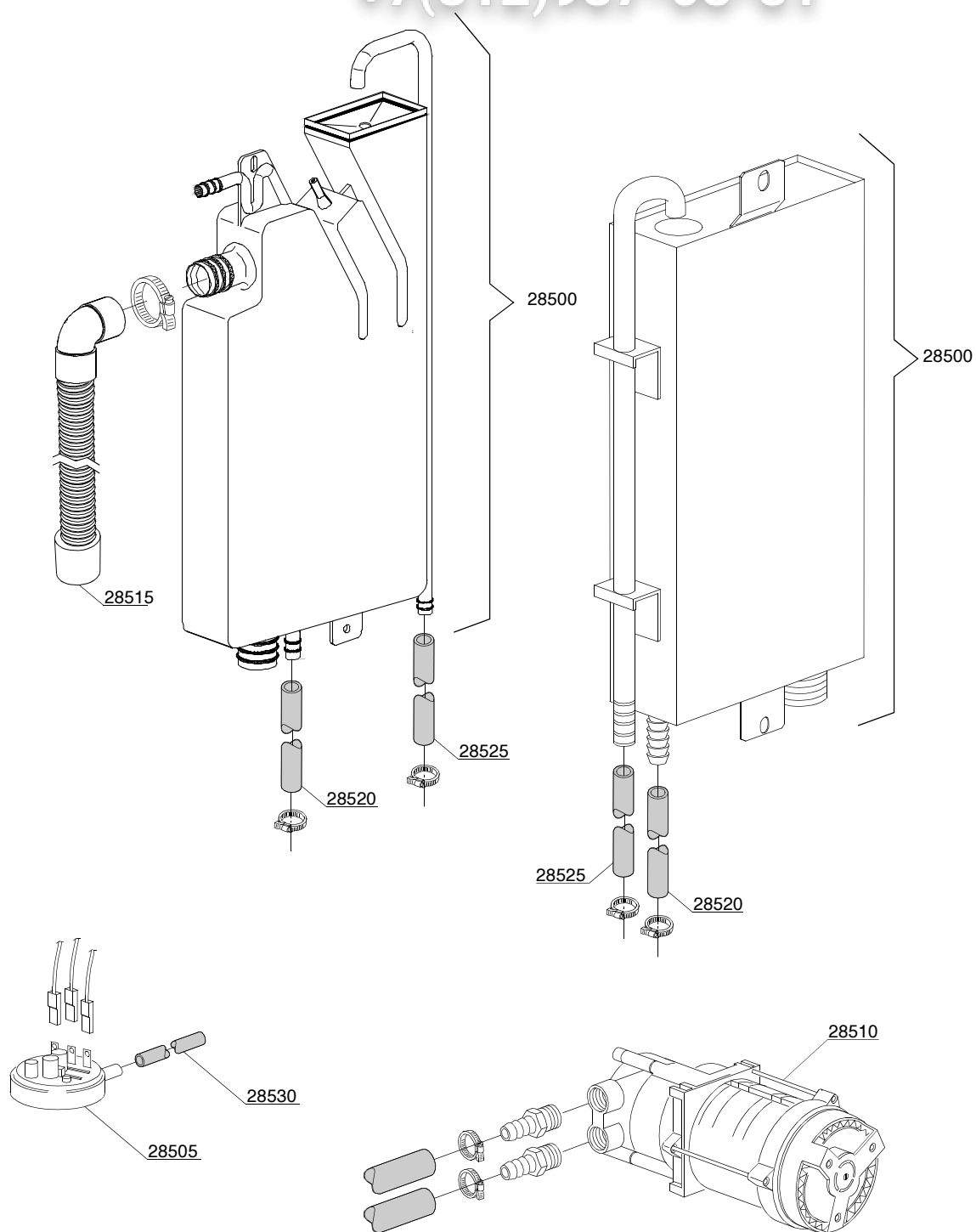
vsezip.ru

ID	P-code	Model	Type	Accessory	Voltage	Description
MODULE: Solenoid valve group						
810	15098		74U	cr,ws		Double solenoid valve - Ø10
815	15115		74U	cr,ws		Green pression solenoid valve
820	N.C.		74U	cr,ws		Pression reducing valve
825	15315		74U	cr,ws		Red pression reducing valve

vsezip.ru

+7(812)987-08-81

06_004_e

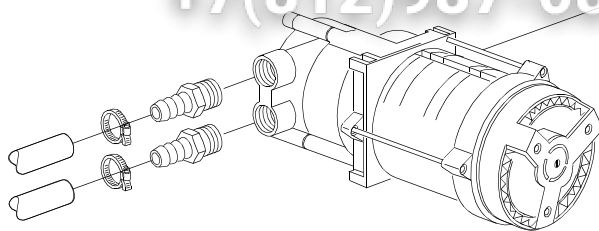


vsezip.ru

ID	P-code	Model	Type	Accessory	Voltage	Description
MODULE:Break Tank						
28500	15735		74U	bt		Break tank assembly
28505	10706/A		74U	bt		47-27 pressure switch
28510	15100/D		74U	bt		Booster pump
28515	15721		74U	bt		BT long pipe L=1070
28515	15722		74U	bt		BT middle pipe L=920
28515	15723		74U	bt		BT small pipe L=920
28520	2907350		74U	bt		12x20 EPDM rubber pipe
28525	2907352		74U	bt		PVC WRAS rubber pipe

vsezip.ru

+7(812)987-08-81 7509



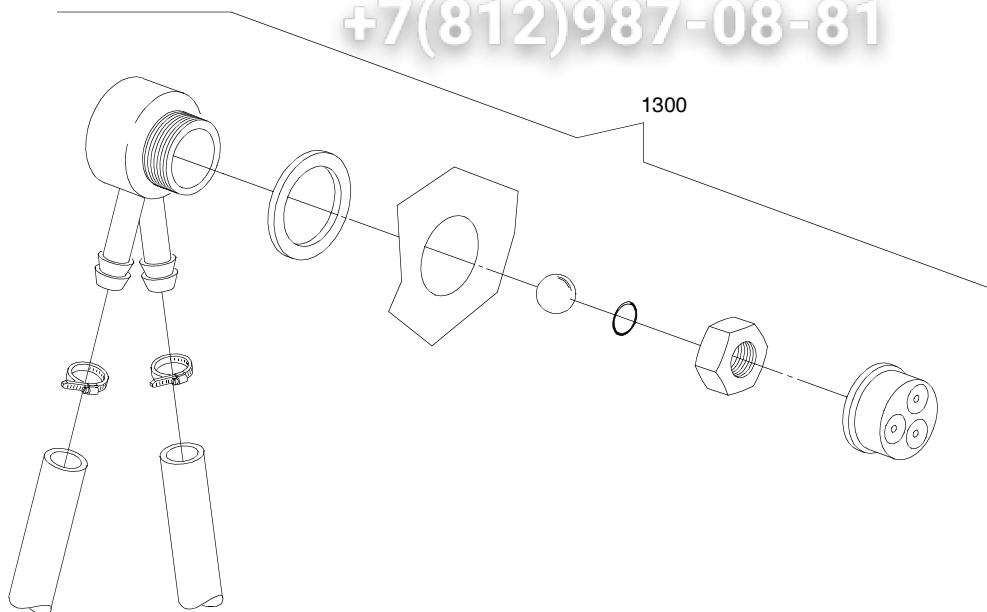
07_003_e

vsezip.ru

ID	P-code	Model	Type	Accessory	Voltage	Description
MODULE:Booster pump						
7500	15100/D		74U	bp		Booster pump

vsezip.ru

+7(812)987-08-81

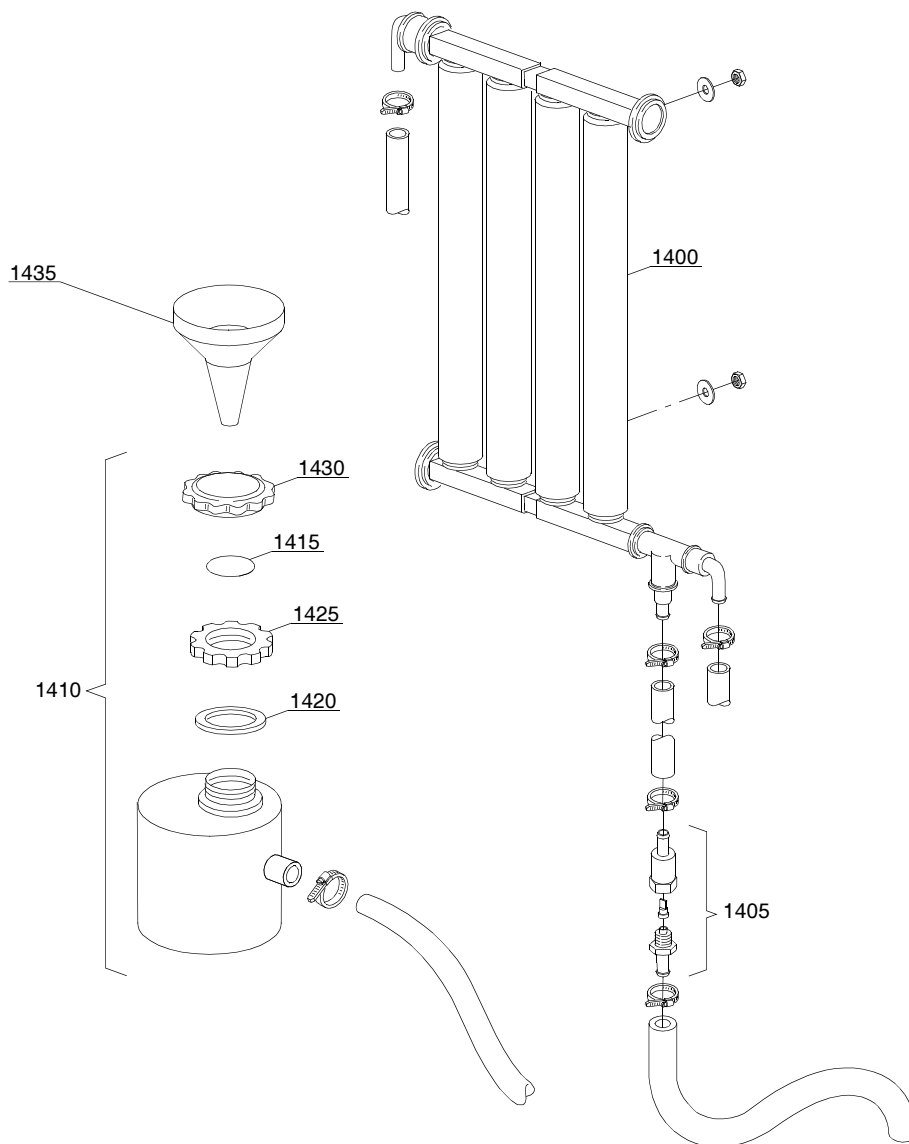


08_005_e

vsezip.ru

ID	P-code	Model	Type	Accessory	Voltage	Description
MODULE:DVGW						
1300	999900006		74U	dvgw		DVGW assembly

09_001_e

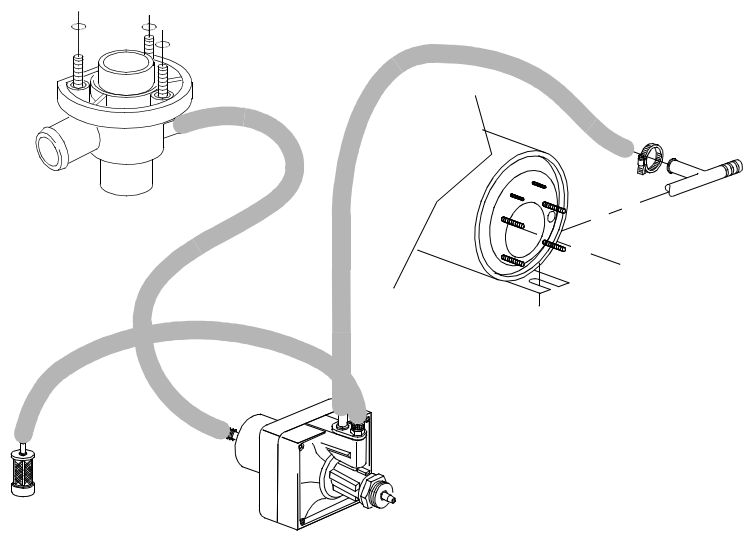
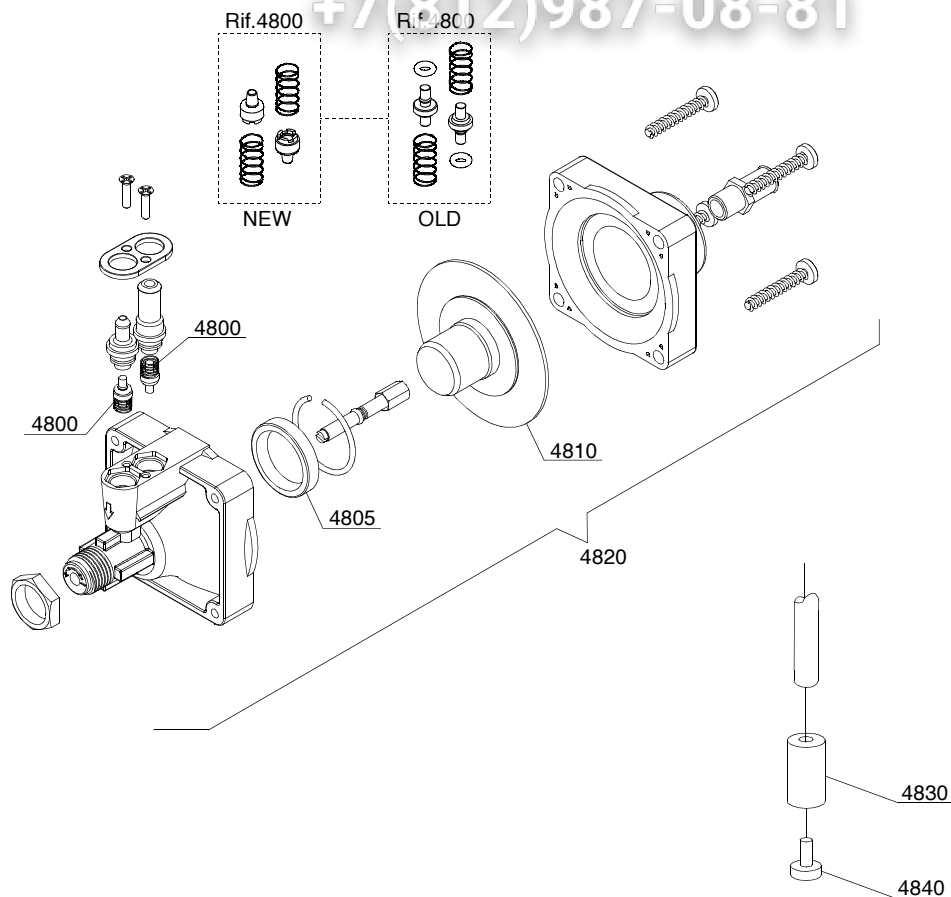


vsezip.ru

ID	P-code	Model	Type	Accessory	Voltage	Description
MODULE:Water softner group						
1400	16066		74U	ws		4 elements water softner
1405	16070		74U	ws		Nonreturn valve
1410	16065		74U	ws		Salt container
1415	16067/A		74U	ws		OR gasket
1420	16067/B		74U	ws		Gasket
1425	16067/C		74U	ws		Ring nut
1430	16067/D		74U	ws		Plug
1435	16082		74U	ws		Funnel

vsezip.ru

+7(812)987-08-81



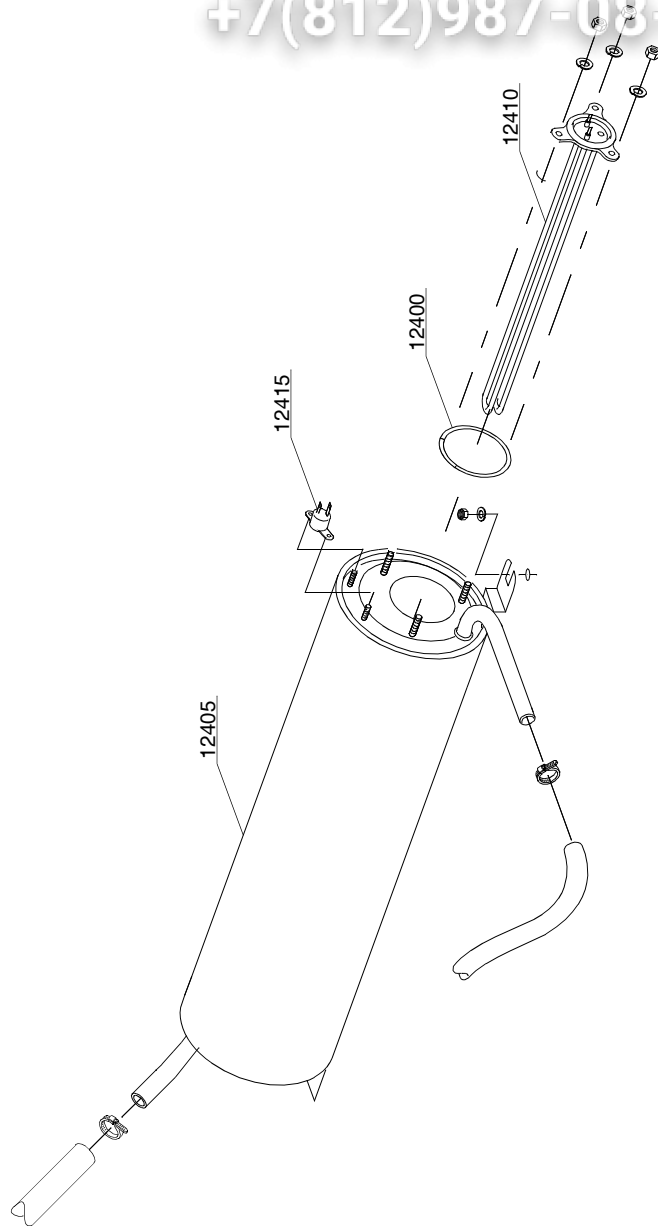
10_004_e

vsezip.ru

ID	P-code	Model	Type	Accessory	Voltage	Description
MODULE:Shining product dosing device group						
4800	10805		74U			Tecnopro dosing valve
4805	10806		74U			Ø22 gasket
4810	10807		74U			Membrane
4820	10799		74U			Shining product dosing device
4830	12525		74U			Counter-weight
4840	15058		74U			Small filter

vsezip.ru

+7(812)987-09-81



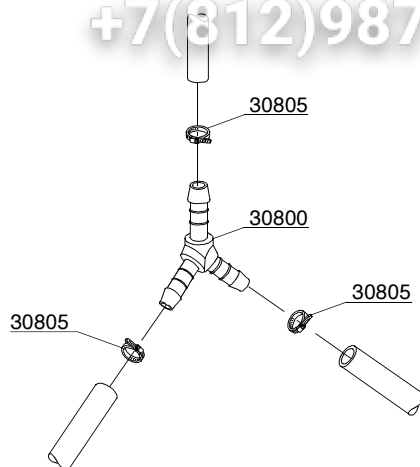
11_007_e

vsezip.ru

ID	P-code	Model	Type	Accessory	Voltage	Description
MODULE:Boiler group						
12400	13010		74U			OR gasket
12405	140905		74U			Boiler
12410	18206		74U			2,4KW heating element
12410	18206/D		74U			2,8KW heating element
12410	18215		74U			4KW heating element
12415	15550		74U			Safety thermostat

vsezip.ru

+7(812)987-08-81



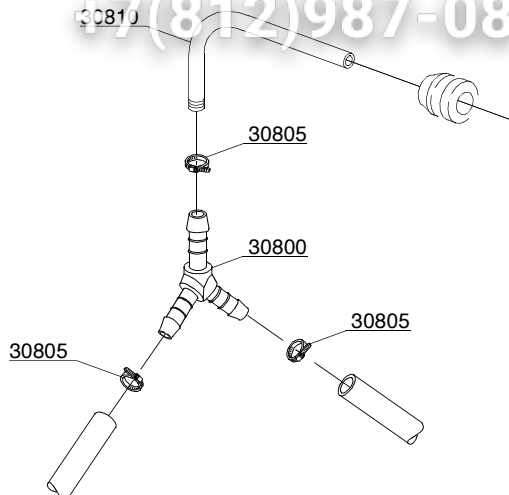
12_003ae

vsezip.ru

ID	P-code	Model	Type	Accessory	Voltage	Description
MODULE:3 ways derivation						
30800	540090		74U			Ø10 mm plastic 3 ways derivation
30805	11807		74U			12/22 clamp

vsezip.ru

+7(812)987-08-81



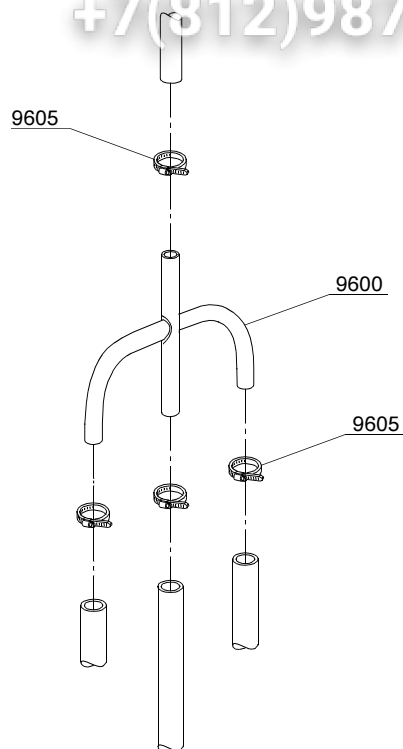
12_003be

vsezip.ru

ID	P-code	Model	Type	Accessory	Voltage	Description
MODULE:3 ways derivation						
30800	540091		74U			Ø12 mm plastic 3 ways derivation
30805	11807		74U			12/22 clamp
30810	15168		74U			Rinse ramp

vsezip.ru

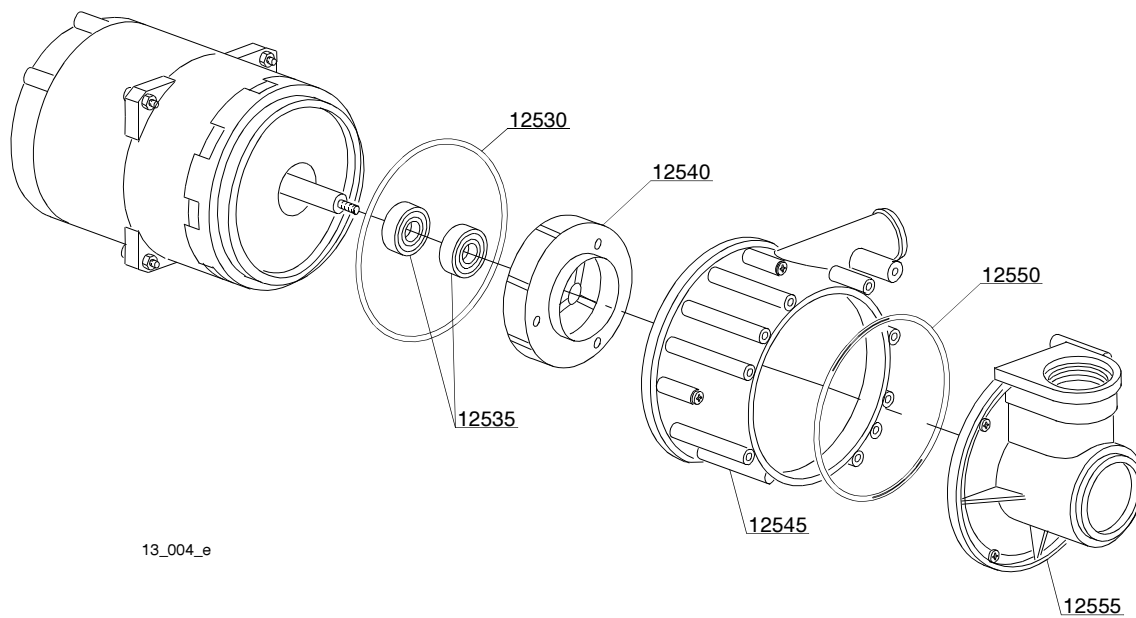
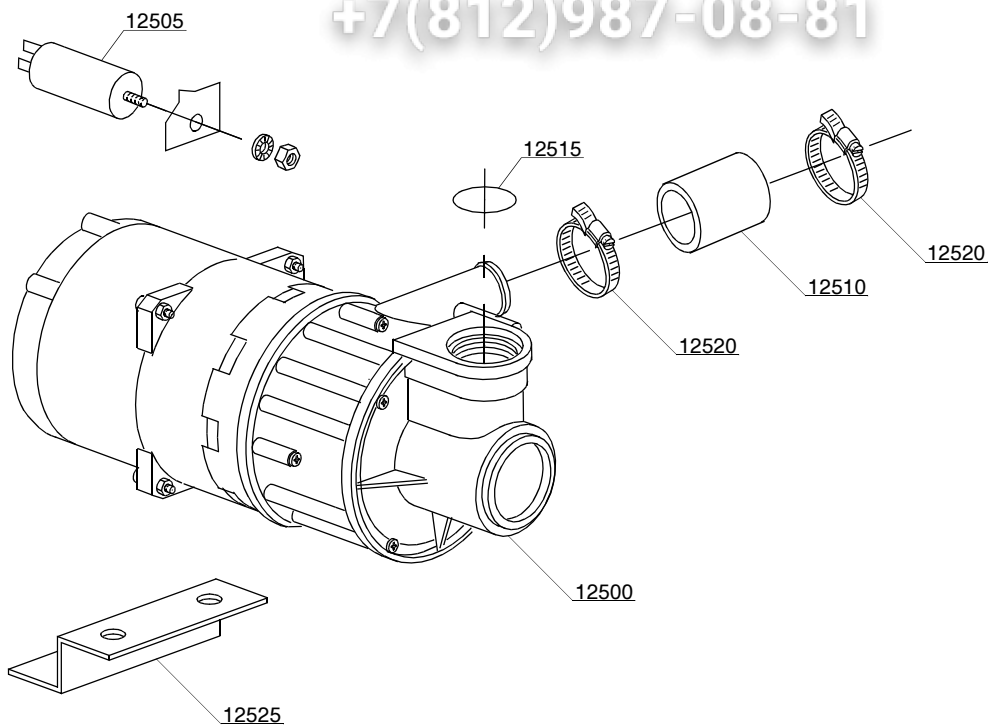
+7(812)987-08-81



12_004_e

vsezip.ru

ID	P-code	Model	Type	Accessory	Voltage	Description
MODULE:4 ways derivation						
9600	15151		74U	cr		Ø10 mm 4 ways derivation
9605	11807		74U			12/22 clamp



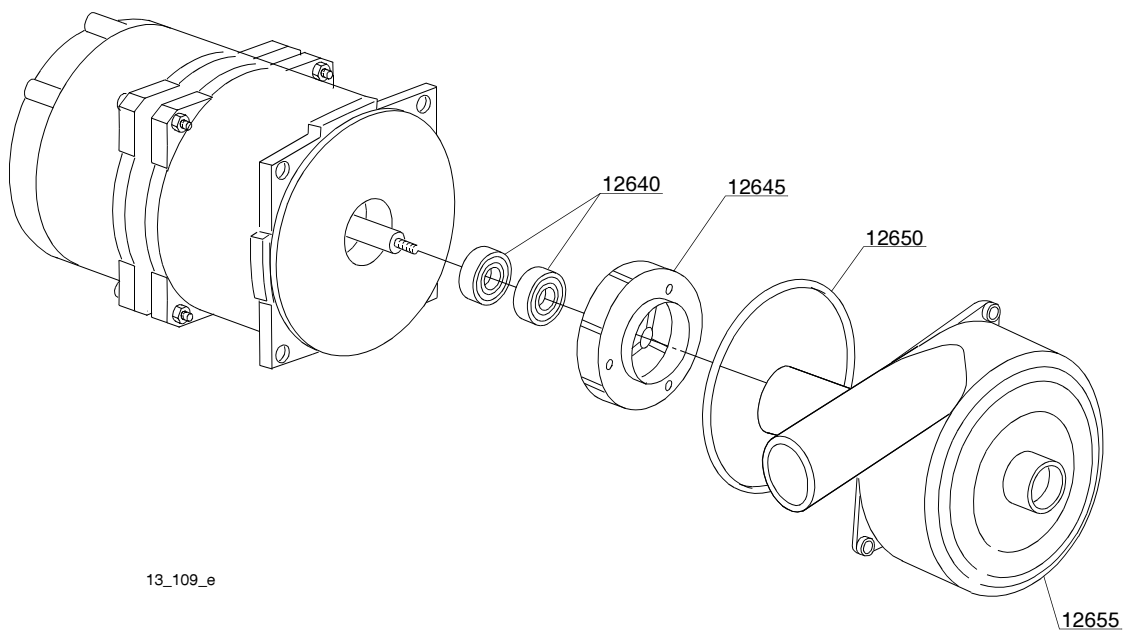
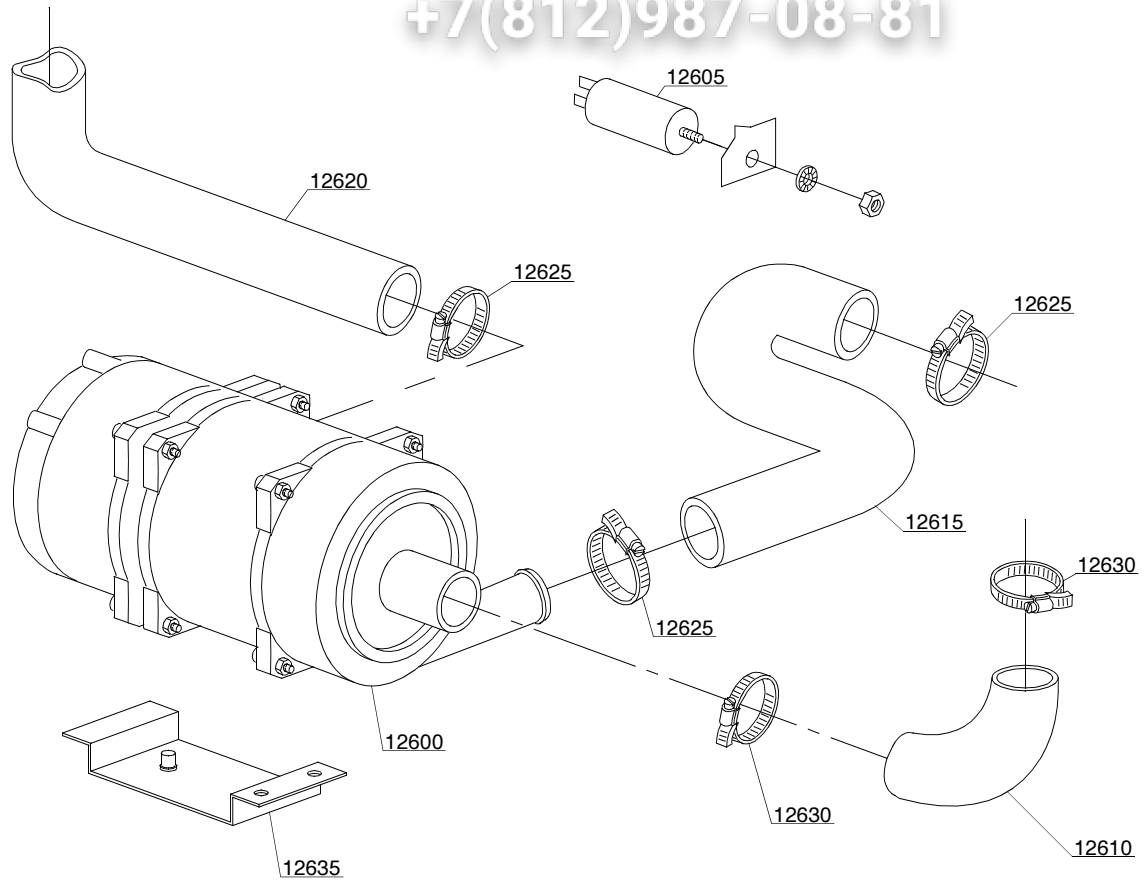
13_004_e

vsezip.ru

ID	P-code	Model	Type	Accessory	Voltage	Description
MODULE:Wash pump						
12500	135501		74U		A	0,30Hp wash pump
12500	135500		74U		H	0,30Hp 60Hz wash pump
12505	10702		74U			5 uF condenser
12510	10718		74U			Pump pipe coupling
12515	13019		74U			4137 OR 140 NBR gasket
12520	11806		74U			25/40 clamp
12525	440123		74U			Pump support
12530	135502		74U			OR gasket
12535	15080		74U			Rotating seals
12540	135505		74U			Pump rotor
12545	135504		74U			Delivery scroll
12550	135506		74U			OR gasket
12555	135503		74U			Suction scroll

vsezip.ru

+7(812)987-08-81



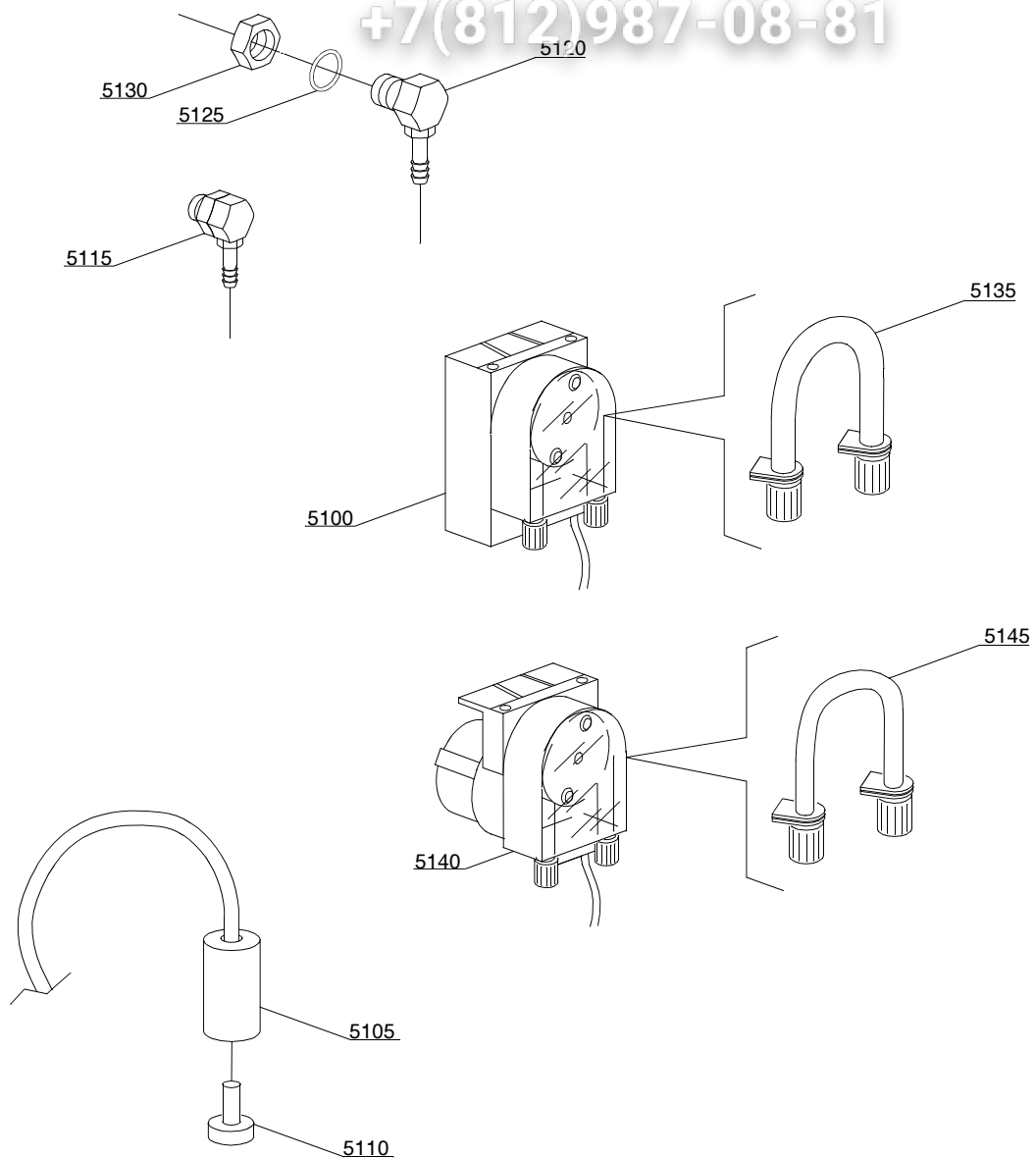
13_109_e

vsezip.ru

ID	P-code	Model	Type	Accessory	Voltage	Description
MODULE:Wash pump						
12600	18300		74U			0,45Hp wash pump
12600	18242/B		74U			0,30Hp wash pump
12605	16043		74U			8 uF condenser
12610	18787		74U			Suction pipe coupling
12615	16168		74U			Lower wash delivery pipe
12620	16167		74U			Wash ramp
12625	11806		74U			25/40 clamp
12630	11809		74U			30/45 clamp
12635	440122		74U			Pump support
12640	15080		74U			Rotating seals
12645	18259		74U			Pump rotor
12650	18245		74U			OR gasket
12655	18247		74U			Scroll

vsezip.ru

+7(812)987-08-81



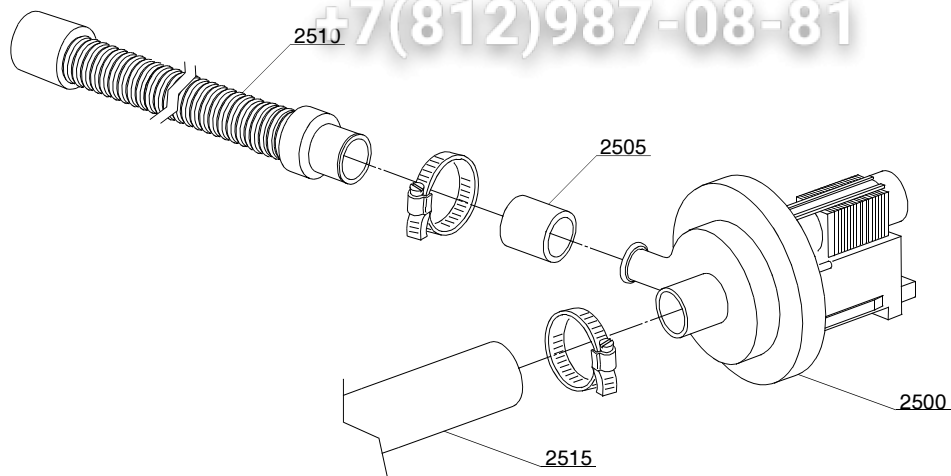
14_004_e

vsezip.ru

ID	P-code	Model	Type	Accessory	Voltage	Description
MODULE:Dosing device group						
5100	15985		74U	dd		Seko dosing device
5105	12525		74U	dd		Counter-weight
5110	15058		74U	dd		Small filter
5115	15123		74U	dd		Compleat plastic injector
5120	15148		74U	dd		Steel injector
5125	15159		74U	dd		OR gasket
5130	10200205		74U	dd		M12x1 stainless steel nut
5135	15185		74U	dd		Seko thermoplastic pipe
5140	15985		74U	dd		Germac dosing device
5145	15108/E		74U	dd		Germac thermoplastic pipe

vsezip.ru

+7(812)987-08-81



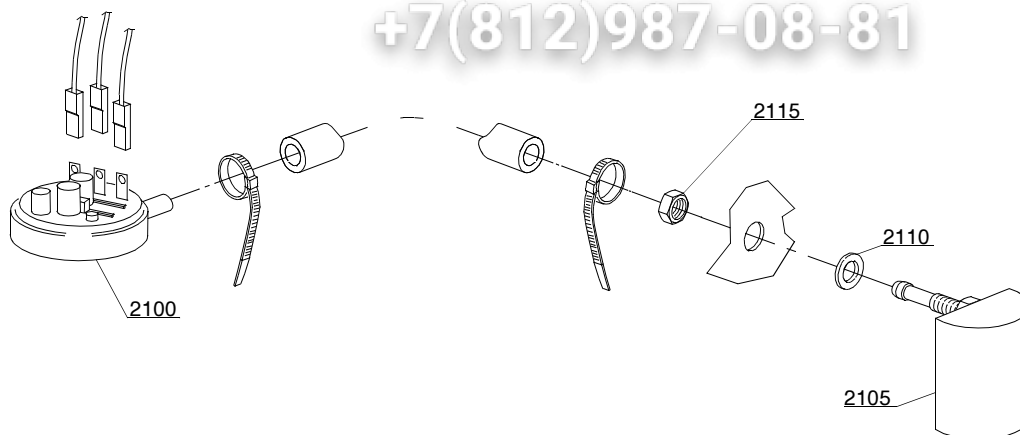
15_004_e

vsezip.ru

ID	P-code	Model	Type	Accessory	Voltage	Description
MODULE: Drain pump group						
2500	15101		74U	dp		Drain pump
2505	15101/D		74U	dp		Pipe fitting
2510	10727		74U	dp		Drain pipe
2515	18044		74U	dp		Ø28 top wash pipe

vsezip.ru

+7(812)987-08-81



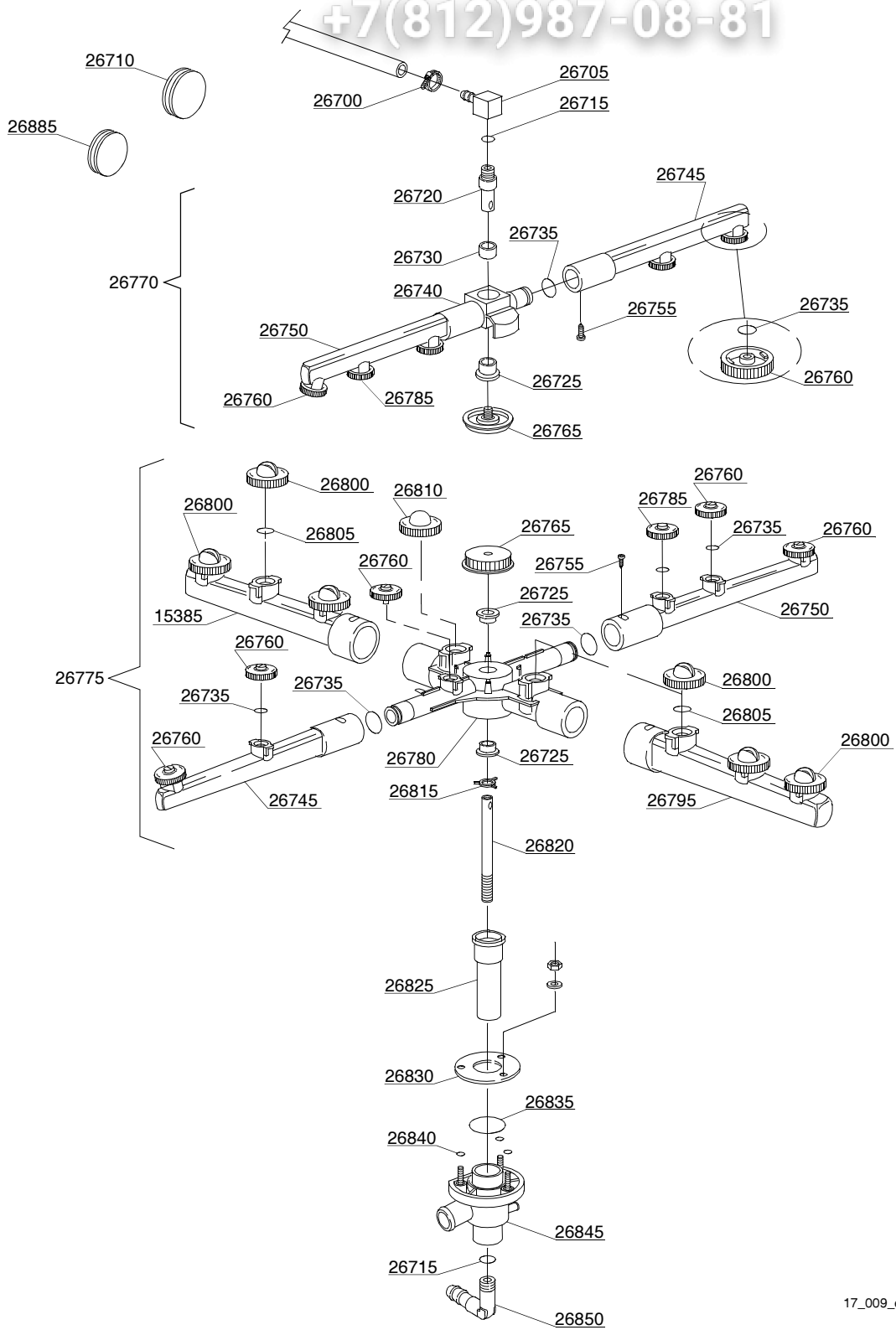
16_001_e

vsezip.ru

ID	P-code	Model	Type	Accessory	Voltage	Description
MODULE:Pressure switch group with air trap						
2100	10706/A		74U			47-27 pressure switch
2105	10911/B		74U			Air trap assembly
2110	13301		74U			Gasket
2115	11702		74U			M8 stainless steel nut

vsezip.ru

+7(812)987-08-81



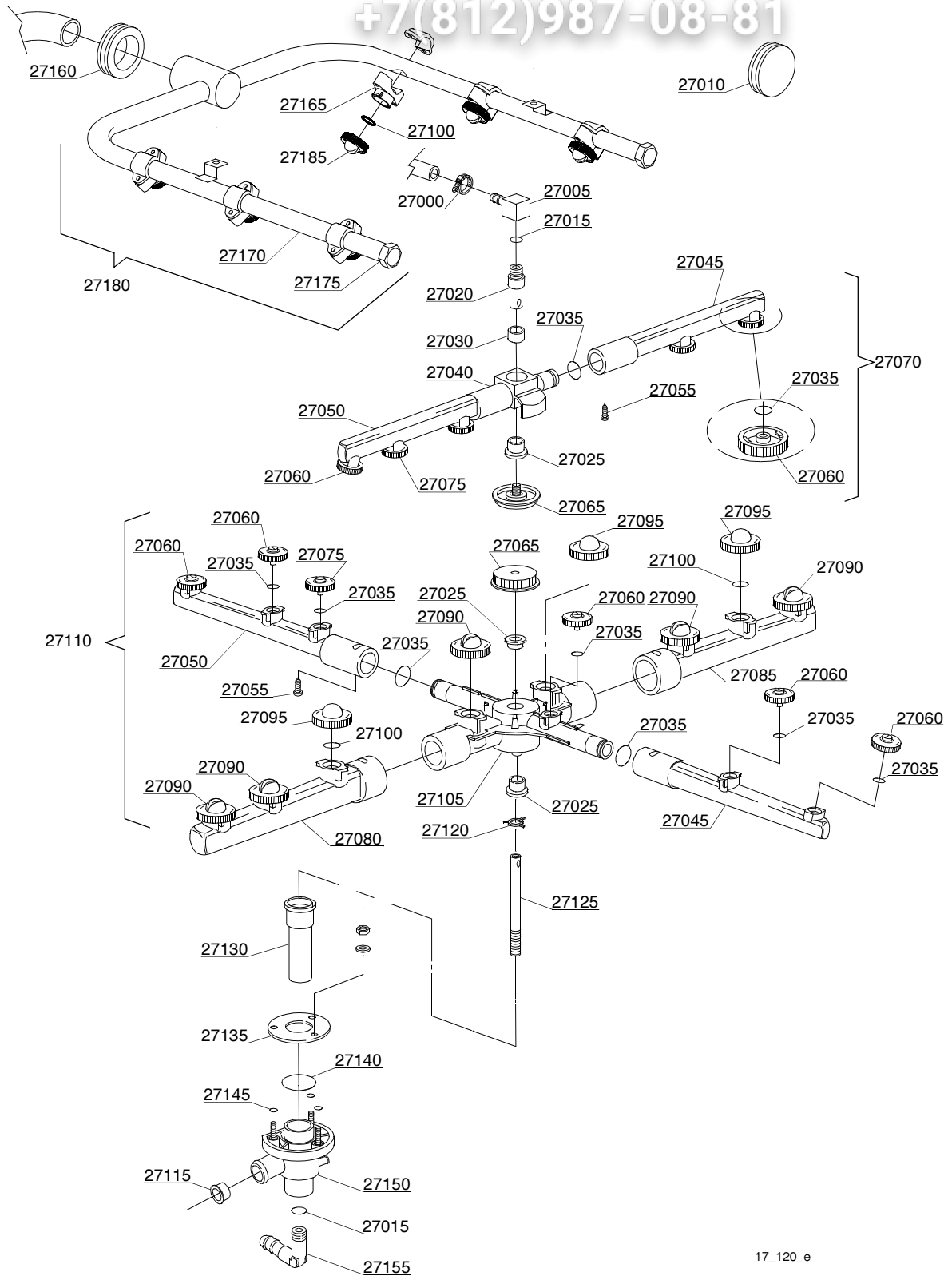
17_009_e

vsezip.ru

ID	P-code	Model	Type	Accessory	Voltage	Description
MODULE:Turret group with rotating arms						
26700	11807		74U			12/22 clamp
26705	350402		74U			Top turret rinse hub
26710	13316		74U			43x10 blind gasket
26715	13003		74U			OR 112 NBR gasket
26720	350401		74U			Lower axle rinse hub
26725	13319		74U			Sliding washer
26730	13320		74U			Sliding washer
26735	13002		74U			OR R6 NBR gasket
26740	10359		74U			Rinse rotor
26745	10360		74U			Right rinse pipe
26750	10361		74U			Left rinse pipe
26755	11004		74U			4x10 TCB Ø8 spax toothed screw
26760	12537		74U			Opened head rinse nozzle
26765	10365		74U			Handle with insert
26770	10996		74U			Top rinse group
26775	540998		74U			Lower wash/rinse group
26780	540013		74U			Wash rotor
26785	12538		74U			Closed head rinse nozzle
26790	10355		74U			Right wash pipe
26795	10356		74U			Left wash pipe
26800	10357		74U			Opened head wash nozzle
26805	13009		74U			OR 2050 NBR gasket
26810	10358		74U			Closed head wash nozzle
26815	10203		74U			Guide pipe
26820	16039		74U			Ø10x1,5x185 steel ground shaft
26825	16250		74U			Bell-shape assembly with pipe coupling
26830	16038		74U			Ø60 stainless steel disk
26835	13000		74U			OR 3125 NBR gasket
26840	13001		74U			OR 104 NBR gasket
26845	10205/A		74U			Lower wash turret with hole
26850	12030		74U			3/8M Ø12 elbow pipe fitting
26855	13316/A		74U			DVGW hole gasket

vsezip.ru

+7(812)987-08-81



17_120_e

vsezip.ru

ID	P-code	Model	Type	Accessory	Voltage	Description
MODULE:Turret group with rotating arms +7(812)987-08-81						
27000	11807		74U			12/22 clamp
27005	350402		74U			Top turret rinse hub
27010	13316/A		74U			DVGW hole gasket
27015	13003		74U			OR 112 NBR gasket
27020	350401		74U			Lower axle rinse hub
27025	13319		74U			Sliding washer
27030	13320		74U			Sliding washer
27035	13002		74U			OR R6 NBR gasket
27040	10359		74U			Rinse rotor
27045	10360		74U			Right rinse pipe
27050	10361		74U			Left rinse pipe
27055	11004		74U			4x10 TCB Ø8 spax toothed screw
27060	12537		74U			Opened head rinse nozzle
27065	10365		74U			Handle with insert
27070	10996		74U			Top rinse group
27075	12538		74U			Closed head rinse nozzle
27080	10355		74U			Right wash pipe
27085	10356		74U			Left wash pipe
27090	10366		74U			1,9 opened head wash nozzle
27095	10358		74U			Closed head wash nozzle
27100	13009		74U			OR 2050 NBR gasket
27105	540013		74U			Wash rotor
27110	540995		74U			Top/lower wash/rinse group
27115	18249		74U			Flux reducer
27115	12518		74U	ws		Flux reducer
27120	10203		74U			Guide pipe
27125	16039		74U			Ø10x1,5x185 steel ground shaft
27130	16250		74U			Bell-shape assembly with pipe coupling
27135	16038		74U			Ø60 stainless steel disk
27140	13000		74U			OR 3125 NBR gasket
27145	13001		74U			OR 104 NBR gasket
27150	10205/A		74U			Lower wash turret with hole
27155	12030		74U			3/8M Ø12 elbow pipe fitting
27160	13306/A		74U			Top wash ramp gasket
27165	10221		74U			Wash nozzle
27165	10275		74U			Wash nozzle
27170	16161		74U			Top wash pipe
27175	12503		74U			Plug
27180	16920		74U			Top wash group
27185	10378		74U			Nozzle