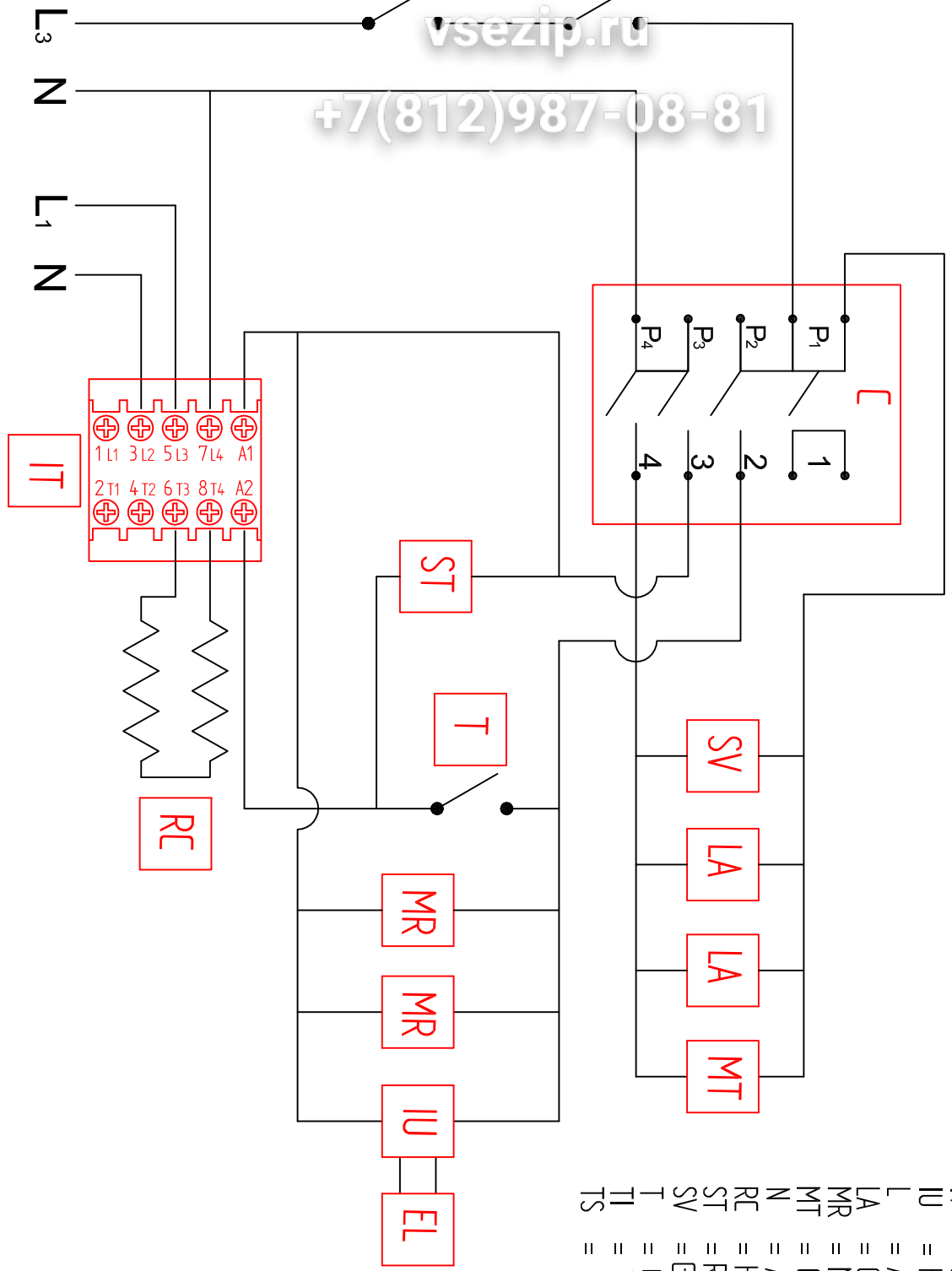


Вип Общество

vsezip.ru

+7(812)987-08-81



- C = SELECTOR
- EL = ELECTRIC VALVE FOR HUMIDIFIER
- IT = CONTACTORS
- IU = HUMIDITY CONTROL
- L = ALIMENTATION (line/fase)
- LA = OVEN LAMPS
- MR = MOTOR
- MT = COOLING FAN
- N = ALIMENTATION (neutral)
- RC = HEATING ELEMENTS
- ST = RED LIGHT ON/OFF THERMOSTAT
- SV = GREEN LIGHT ON/OFF THERMOSTAT
- T = OVEN THERMOSTAT
- TI = TIMER
- TS = SECURITY THERMOSTAT

4	TOLLERANZE: UNI 5307	SCALA	PIRON www.Piron.it	DENOMINAZIONE ELECTRICAL SCHEME	MODELLO OVEN 800, 800U	DISEGNATO: Conte R.
3	da 1 a 6	DATA				
2	da 6 a 18	19/04/2010				
1	da 18 a 50					
RELEASE	MODIFICHE	FIRMA	da 50 a 80					
			da 80 a 120					
			da 120 a 250					
			da 250 a 400					
			da 400 a oltre					