

Зип Общепит



**SPARE PARTS CATALOGUE
ERSATZTEILKATALOG
CATALOGUE PIECES DETACHEES
CATALOGO PARTI RICAMBIO
CATALOGO DE PIEZAS DE RECAMBIO
CATALOGO PEÇAS DE REPOSIÇÃO**

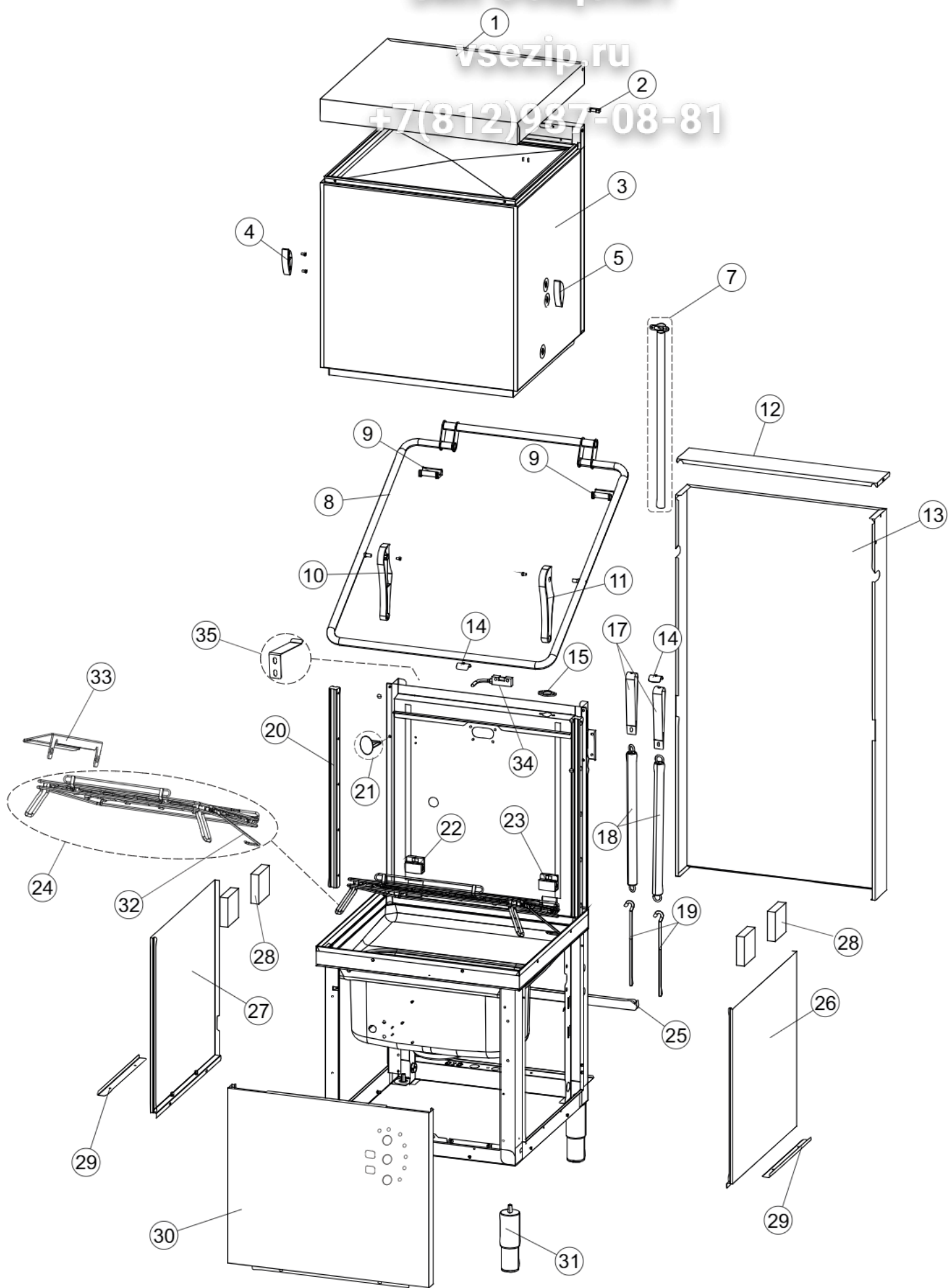
AC 990

04-09-2012

1 Зип-Общепит

vsezip.ru

+7(812)987-08-81



| | | | |
|----|--------|--|--|
| 1 | 70651 | PANNELLO SOPRA CAPPА S/COMANDI COMPLETO | |
| 2 | 927088 | MAGNETE PER MICROINTERRUPTORE MAGNET FOR MICROSWITCH MAGNET FÜR MIKROSCHALTER AIMANT POUR MINIRUPTEUR IMAN PARA MICROINTERRUPTOR | |
| 3 | 70139 | CAPPA COMPLETA GRUPO CAMPANA CUADRADA COMPLETA | |
| 4 | 70202 | FERMO LEVA SX CAPPА | |
| 5 | 70203 | FERMO LEVA DX CAPPА | |
| 7 | 70094 | TUBO | |
| 8 | 70120 | MANIGLIONE HANDLE HANDGRIFF BRANCARD MANIJA RIVER | |
| 9 | 70192 | SUPPORTO | |
| 10 | 70200 | LEVA SX CAPPА | |
| 11 | 70201 | LEVA DX CAPPА | |
| 12 | 70324 | PANNELLO POSTERIORE SUPERIORE | |
| 13 | 70163 | PANNELLO POSTERIORE SKIN_PLATE | |
| 14 | 70277 | PATTINO | |
| 15 | 70092 | FLANGIA TUBO | |
| 17 | 70031 | GANCIO MOLLE | |

| | | | |
|----|--------|--|--|
| 18 | 926108 | MOLLA TRAZ. CAPOTTA f5.5 121/... SPRING, HOOD TRAZ. f5.5 121/... SPANNFEDER HAUBE f5.5 121/... RESSORT TRAZ. CAPOTTA f5.5 121/... MUELLE TRACC. CAPOTA f5.5 121/... | |
| 19 | 926009 | GANCIO REGOLAZIONE MOLLA 100/120/140 HOOK, ADJUST. SPRING 100/120/140 HAKEN, FEDERREGUL. 100/120/140 CROCHET REGLAGE RESORT 100/120/140 GANCHO REGULACION MUELLE 100/120/140 | |
| 20 | 70065 | GUIDA CAPP HOOD DRIVE ÜAHN GUIDE HOTTE GUIA CAPOT | |
| 21 | 70998 | DISTANZIALE | |
| 22 | 70036 | SUPPORTO SX | |
| 23 | 70035 | SUPPORTO SX | |
| 24 | 70255 | TELAIO PORTACESTO RACK FRAME RAHMEN SUPPORT PANIER BASTIDOR PORTACESTA | |
| 25 | 70019 | TRAVE TIRANTE MOLLE | |
| 26 | 70072 | PANNELLO LATERALE DX PANEL LATERAL DCHA PG ACABADO | |
| 27 | 70071 | PANNELLO LATERALE SX PANEL LATERAL IZDA PG ACAB. | |
| 28 | 41042 | SPESSORE ADESIVO PANNELLI LATERALI LP STICKY DOOR SIDE THICKNESS KLEBENPER SCHLEGER TEMPON ADHÉSIF ESPESSORE ADHESIVO PANELES LATERALES LP | |
| 29 | 80078 | SQ. FISSAGGIO SOTTOPIANI GOLD PG FINITO BRACK, UNDER-SHELVES FIX. GOLD PG FINISHED BEF. WINKEL, UNTERABLAGEF. GOLD PG MASCHINENFERTIG EQ. FIXATION SOUS-ETAGERES GOLD PG FINI ESC. FIJACION APOYOS SUPERFICIES GOLD PG | |
| 30 | 70082 | PANNELLO ANTERIORE 2D COMPLETO | |
| 31 | 926117 | PIEDE REGOLABILE X CAPOTT.3LINEA FOOT, ADJUST. X CAPOTT.3LINE VERSTELLFUSS X HAUB.3LEIT. PIED REGLABLE POUR CAPOT.3LIGNE PATA REGULABLE X CAPOTA 3LINEA | |
| 32 | 70265 | CAVALLETTO PIVOT ZAPFEN PIVOT | |

| | | | |
|----|-------|---|--|
| 33 | 70250 | SPONDA PORTACESTI | |
| 34 | 80871 | MICRO MAGNETICO MAGNETIC DOOR SWITCH TUERKONTAKTSCHALTER CONTACTE MAGNETICUF CONTACTO MAGNETICO | |
| 35 | 70300 | STAFFA MESSA A TERRA MANIGLIONE | |

Зип Общепит

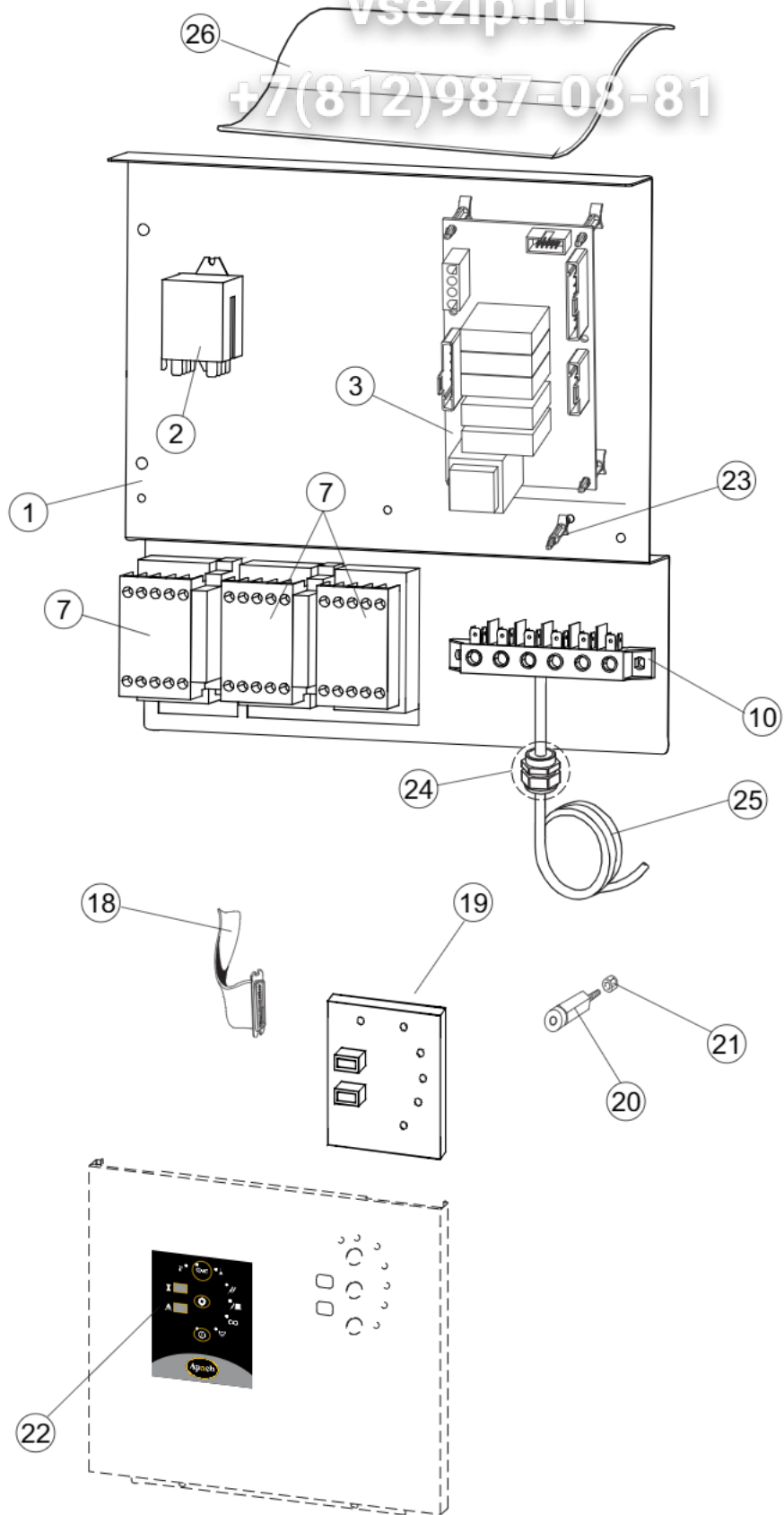
vsezip.ru

87 (812)987-08-81

2 Зип-Общепит

vsezip.ru

+7(812)987-08-81

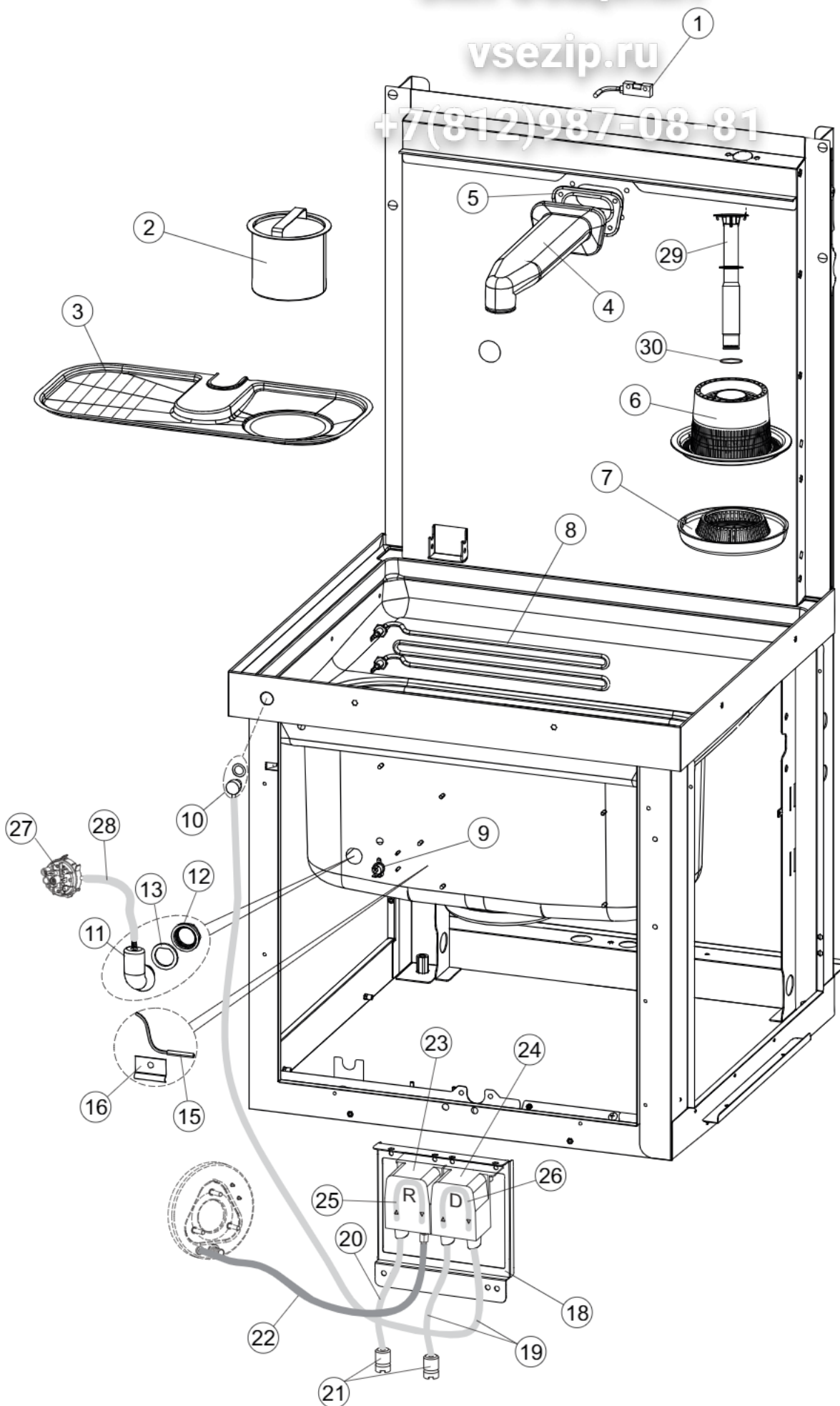


| | | | |
|----|--------|---|--|
| 1 | 70459 | PANNELLO QUADRO ELETTRICO vsezip.ru | |
| 2 | 929115 | RELE 16A 230V 62.82 RELAY 16A 230V 62.82 RELAIS 16A 230V 62.82 RELAIS 16A 230V 62.82 RELE 16A 230V 62. 82 +7(812)987-08-81 | |
| 3 | 215027 | SCHEDA GET50 LA50 MAIN BOARD KARTE CARTE ELECTRONIQUE TARJETA CHORROS50 LA50 | |
| 7 | 80350 | CONTACT 230-50/60HZ 3RT1016-1AP01 CONTACT, 230-50/60HZ 3RT1016-1AP01 KONTAKT, 230-50/60HZ 3RT1016-1AP01 CONTACT 230-50/60HZ 3RT1016-1AP01 VER CODIGO 229037 | |
| 10 | 220011 | * MORSETTIERA 5.POLI + TERRA FV.122 * TERMINAL BOARD, 5-POLES + EARTH FV.122 * KLEMMENBRETT, 5-POLIG + ERDUNG FV.122 * PLAQUE A BORNE 5POLES + TERRE FV.122 * BORNERO 5. POLOS + TIERRA FV. 122 | |
| 18 | 80934 | CAVO FLAT COMANDI INFERIORI CAPOT CABLE FLAT CAPOT FLACHKABEL CABLE LIAISON CABLE FLAT MANDOS INFERIORES CAPOT | |
| 19 | 80889 | TASTIERA COMANDI CONTROL KEYBOARD BEDINGUNGEN-TESTENBRETT TABLEAU A POUSSOIRS COMMANDES TECLADO DE MANDOS | |
| 20 | 419036 | SPACER SPACER, M3 ABSTANDSSTÜCK, M3 ENTRETOISE M3 DISTANCIADOR M3 | |
| 21 | 417119 | DADO M3 PLASTICA BIANCO NUT, M3 PLASTIC WHITE SCHRAUBENMUTTER, M3 KUNST. WEISS ECROU M3 PLASTIQUE BLANC TUERCA M3 PLASTICO BLANCO | |
| 22 | 70711 | POLIESTERE | |
| 23 | CWP2 | PIEDINI SUPPORTO SCHEDA ELET. (ART.DRA6A) FEET, ELECTR.CARD SUPPORT(ART.DRA6A) STÜTZFÜSSE FÜR PLATINE (ART.DRA6A) PIEDS SUPPORT FICHE ELECTR.(ART.DRA6A) PATAS SOPORTE TARJETA ELECT. (ART.DRA6A) | |
| 24 | DEP521 | PRESSACAVO PG21 (BER 4721) CABLE GLAND PG21 (BER 4721) KABELSCHELLE PG21 (BER 4721) SERRE CABLE PG21 (BER 4721) SUJETA-CABLE PG21 (BER 4721) | |
| 25 | 69803 | CAVO ALIMENTAZIONE 5X4MM POWER CABLE | |
| 26 | 80731 | TENDINA PVC PROTEZIONE COMP. ELE CURTAIN, PVC EL.COMP.PROTECTION VORHANG, PVC EL.SCHUTZ KOMPL. RIDEAU PVC PROTECTION COMP. ELECTR. CORTINA PVC PROTECCION COMP. ELE | |

3 Zip Ощепит

vsezip.ru

+7(812)987-08-81



| | | | |
|----|--------------|---|------------------|
| 1 | 80871 | MICRO MAGNETICO MAGNETIC DOOR SWITCH TUERKONTAKTSCHALTER CONTACTE MAGNETIQUE CONTACTO MAGNETICO | vsezip.ru |
| 2 | 70159 | CESTELLO VASCA | +7(812)987-08-81 |
| 3 | 70153 | FILTRO | |
| 4 | 80177 | CONDOTTO LAVAGGIO SUP. RIVER PIPELINE - WASHING, UPPER RIVER LEITUNG - SPÜLEN, OB. RIVER CONDUITE LAVAGE SUP. RIVER CONDUCTO LAVADO SUP. RIVER | |
| 5 | 80178 | GUARNIZIONE GASKET DICHTUNG JOINT JUNTA | |
| 6 | 121120 | FILTRO BASE COMPLETO LA50 FILTER COMPLETE SIEB FILTRE COMPLETE FILTRO BASE COMPLETO LA50 | |
| 7 | 429072 | GHIERA CORPO ASPIR./SCARICO LA50 GEWINDERING ZWINGE VIROLE VIROLA CUERPO ASPIR./DESCARGA LA50 | |
| 8 | 70562 | RESISTENZA 3000W 230V MONOFASE | |
| 9 | 926189 | TERMOSTATO BOILER SIC.95ø THERMOSTAT, BOILER, SAF.95ø SICHERHEITSTHERMOSTAT BOILER 95° THERMOSTAT CHAUDIERE SEC. 95ø TERMOSTATO CALENTADOR SEG. 95ø | |
| 10 | 468151 | RACCORDO ENTRATA SAPONE CPL NM * SALDATO UNION, EXTRA DET. CPL NM * WELDED TANKEINLAUF CPL NM* RACCORD ENTREE SAVON CPL NM * SOUDE EMPALME ENTRADA JABON CPL NM * SOLDADO | |
| 11 | 107012 | CAMPANA PRESSOSTATO (L) RV40-50-CAPOTE AIR TRAP LUFTFALLE PRISE D'AIR CAMPANA PRESOSTATO (L) RV40-50-CAPOTA | |
| 12 | 417120 | DADO PLASTICA GRIGIO PLASTIC NUT KUNSTSTOFFMUTTER 1-1/4 ECROU EN PLASTIQUE TUERCA PLASTICO GRIS | |
| 13 | 437098 | GUARNIZIONE NUOVA CAMP.PRESS. PACKING FOR AIR TRAP OF PRESSURE SWITCH DICHTUNG FUER LUFTFALLE JOINT PRISE D'AIRE PRESSOSTAT JUNTA NUEVA CAMP.PRES. | |
| 15 | 231016 | SONDA TEMPERATURA TEMP. PROBE KUGEL SONDE SONDA TEMPERATURA (AMPOLLA ACERO) | |
| 16 | H.775489-001 | CLIP SONDA TEMPERATURA D5 CLIP FOR TEMP. SENSOR D5 KLIPP FÜR TEMP. FÜHLER D5 CLIP SONDE TEMPERATURE D5 CLIP SONDA TEMPERATURA D5 | |

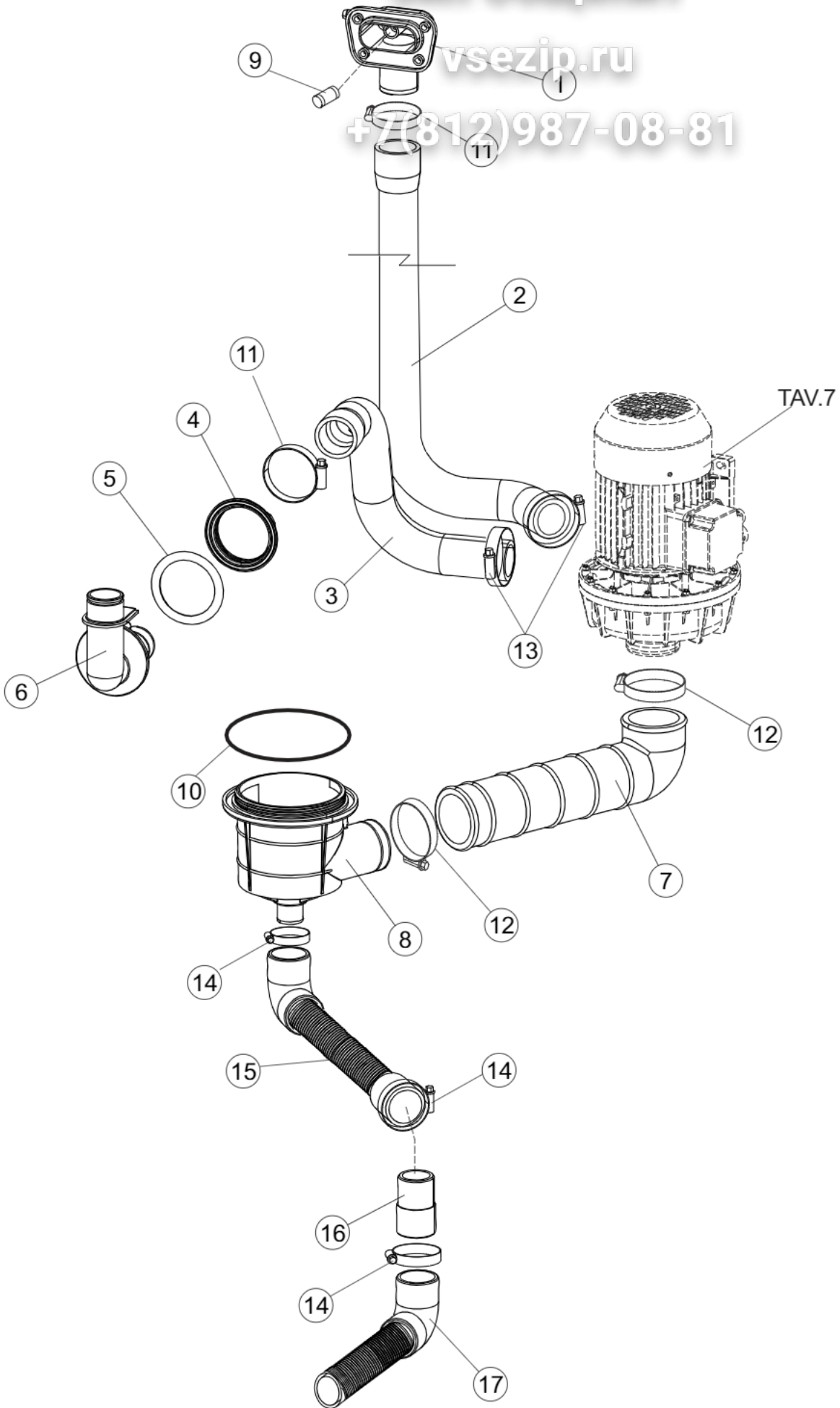
| | | | |
|----|----------|--|----------|
| 18 | 80675 | STAFFA DOSATORI PERISTALTICI BRACKET TRAGBUEGEL ETRIER SOPORTE DOSIFICADORES PERISTALTICOS | |
| 19 | 143194 | TUBO 4x6 CRISTAL TRASPARENTE PIPE 4x6 CRISTAL TRANSP. SCHLAUCH 4X6 CRISTAL DURCHS. TUYAU 4x6 CRISTAL TRASPARENTE TUBO 4x6 CRISTAL TRASPARENTE | |
| 20 | H.775601 | TUBO 4x6 CRISTAL BLUE PVC PIPE 4x6 CRISTAL BLUE PVC ROHR 4x6 CRISTAL BLAU PVC TUYAU 4x6 CRISTAL BLEU PVC TUBO 4x6 CRISTAL AZUL PVC | |
| 21 | 121993 | GRUPPO FILTRO DOSATORE FILTER GROUP FILTERANORDNUNG ENSEMBLE DE FILTRE ASAMBLEA DEL FILTRO | |
| 22 | 143005 | TUBO PRESS.TP 5x11 (CASER/15/NL C4N) PIPE, PRESSURE SWITCH TP 5x11 (CASER/15/NL C4N) SCHLAUCH TP 5X11 (CASER/15/NL C4N) TUYAU PRESS.TP 5x11 (CASER/15/NL C4N) TUBO PRES. TP 5x11 (CASER/15/NL C4N) | |
| 23 | 209034 | DOSAT PERIST.BRILLANT.+NR P/REGOLABILE PERISTALTIC DOSING PUMP RINSE-AID ADJUST SCHLAUCHPUMPE PERISTALTIQUE POMPE DOSIFIC.PERIST.ABRILL. P/REGULABLE | |
| 24 | 209029 | DOSAT PERIST.DETERGENTE P/REGOLABILE PERISTALTIC DETERG.DISP PERISTAKTISCHES DOSIERGERAET REINIGER PERISTALTIQUE POMPE DOSIFIC.PERIST.DETERGENTE P/REGULABLE | Optional |
| 25 | 143261 | TUBETTO SIL.5X10 MP2NERO+V.I(RR.005.119) TUBE 5X10 MEMBRANSCHLAUCH TUBE 5X10 TUBITO SILICONA 6X10 EMPALMES+VIROLAS | |
| 26 | 143258 | TUBETTO 6X10 TUBE 6X10 MEMBRANSCHLAUCH SANTOPREN TUBE 6X10 TUBITO SANTOPRENE 6X10 EMPALMES+VIROLAS | |
| 27 | 224002 | PRESSURE SWITCH - 110/60 PRESSURE SWITCH - 110/60 PRESSURE SWITCH - 110/60 PRESSURE SWITCH - 110/60 PRESSURE SWITCH - 110/60 | |
| 28 | 143131 | TUBO GOMMA PIPE SCHLAUCH FUER DRUCKSCHALTER TUYAU VER CODIGO 143005 | |
| 29 | 70354 | TROPPOPIENO OVERFLOW-PIPE UEBERLUAUFROHR TROP PLEIN REBOSE RIVER 82/83 | |
| 30 | 70135 | O-RING 4131 VITON NERO SH.70 O-RING 4131 BLACK SCREW SH.70 GUMMIDICHTRING 4131 - SCHRAUBE - SCHWARZ SH.70 BAGUE D'ETANCHEITE' 4131 - VIS NOIRE SH. '70 O-RING 4131 VITON NEGRO SH. 70 | |

4

Zip Ощепит

vsezip.ru

+7(812)987-08-81



| | | | |
|----|--------|--|--|
| 1 | 80174 | RACCORDO LAV.SUP.EXT.GOLD (COL.NEUTRO) UNION, WASH.UPP. OUTS. GOLD (INFU. R. CO. VERBINDUNGSST., OB. SPÜL. AUSS. GOLD (NEUTR. FARBE) RACCORD LAV.SUP.EXT.GOLD (COL.NEUTRE) EMPALME LAV. SUP. EXT. GOLD (COL. NEUTRO) | |
| 2 | 70020 | TUBO LAVAGGIO | |
| 3 | 70021 | MANICOTTO MANDATA RUBBER SLEEVE - SUPPLY SIDE ZUFHURUNGSMUFFE MANCHON DE DEBIT MANGUITO IMPULSION BOMBA | |
| 4 | 70473 | GHIERA | |
| 5 | 70476 | GUARNIZIONE LAVAGGIO INFERIORE | |
| 6 | 70472 | CONDOTTO LAVAGGIO INFERIORE | |
| 7 | 80186 | MANICOTTO ASPIRAZ.POMPA RIVER SLEEVE, SUCT.PUMP RIVER MUFFE, ABSAUG.PUMPE RIVER MANCHON ASPIRAT.POMPE RIVER MANGUITO ASPIRAC. BOMBA RIVER | |
| 8 | 70040 | POZZETTO SCARICO | |
| 9 | 441009 | INSERTO TENUTA D10 COLL.S621- INSERT, SEAL D10 COLL.S621- EINSATZ, DICHT. D10 SAMM.S621- INSERT ETANCHEITE D10 COLL.S621- ELEMENTO ESTANQ. D10 COLECT. S621- | |
| 10 | 456076 | OR.D.I.135.9X5.33 ART.53125 OR.D.I.135.9X5.33 ART.53125 TORISCHE DICHTUNG D.I.135.9X5.33 JOINT TORIQUE D.I.135.9X5.33 OR.D.I.135.9X5.33 ART.53125 | |
| 11 | CFS1A | FASCETTA A VITE TORRO W1/W2B 40-60/12 CLAMP, HOSE-TYPE TORRO W1/W2B 40-60/12 SCHELLE, SCHRAUBE TORRO W1/W2B 40-60/12 BANDE DE SERRAGE A VIS TORRO W1/W2B 40-60/12 ABRAZ. CON TORNILLO TORRO W1/W2B 40-60/12 | |
| 12 | CFS3 | FASCETTA A VITE TORRO W2B 60-80/12 CLAMP, HOSE-TYPE TORRO W2B 60-80/12 SCHELLE, SCHRAUBE TORRO W2B 60-80/12 BANDE DE SERRAGE A VIS TORRO W2B 60-80/12 ABRAZADERA CON TORNILLO TORRO W2B | |
| 13 | CFS2 | FASCETTA TORRO W1/W2B 50-70/12 CLAMP, TORRO W1/W2B 50-70/12 SCHELLE, TORRO W1/W2B 50-70/12 BANDE DE SERRAGE TORRO W1/W2B 50-70/12 ABRAZADERA TORRO W1/W2B 50-70/12 | |
| 14 | CFS1 | FASCETTA A VITE TORRO 35-50/9 CLAMP, HOSE-TYPE TORRO 35-50/9 SCHLAUCHSCHELLE TORRO 35-50/9 BANDE DE SERRAGE A VIS TORRO 35-50/9 ABRAZADERA CON TORNILLO TORRO 35-50/9 | |
| 15 | 70116 | TUBO DI SCARICO DRAIN HOSE ABFLUSSSCHLAUCH TUYAU DE VIDANGE TUBO DESCARGA VERSION INTEGR. 22 | |

| | | | |
|----|--------|---|--|
| 16 | 70167 | RACCORDO SCARICO | |
| 17 | 143252 | TUBO SCARICO LA50 DRAIN HOSE ABLAUFLEITUNG TUYAU VIDANGE TUBO DESCARGA LA50 | |

Зип Общепит

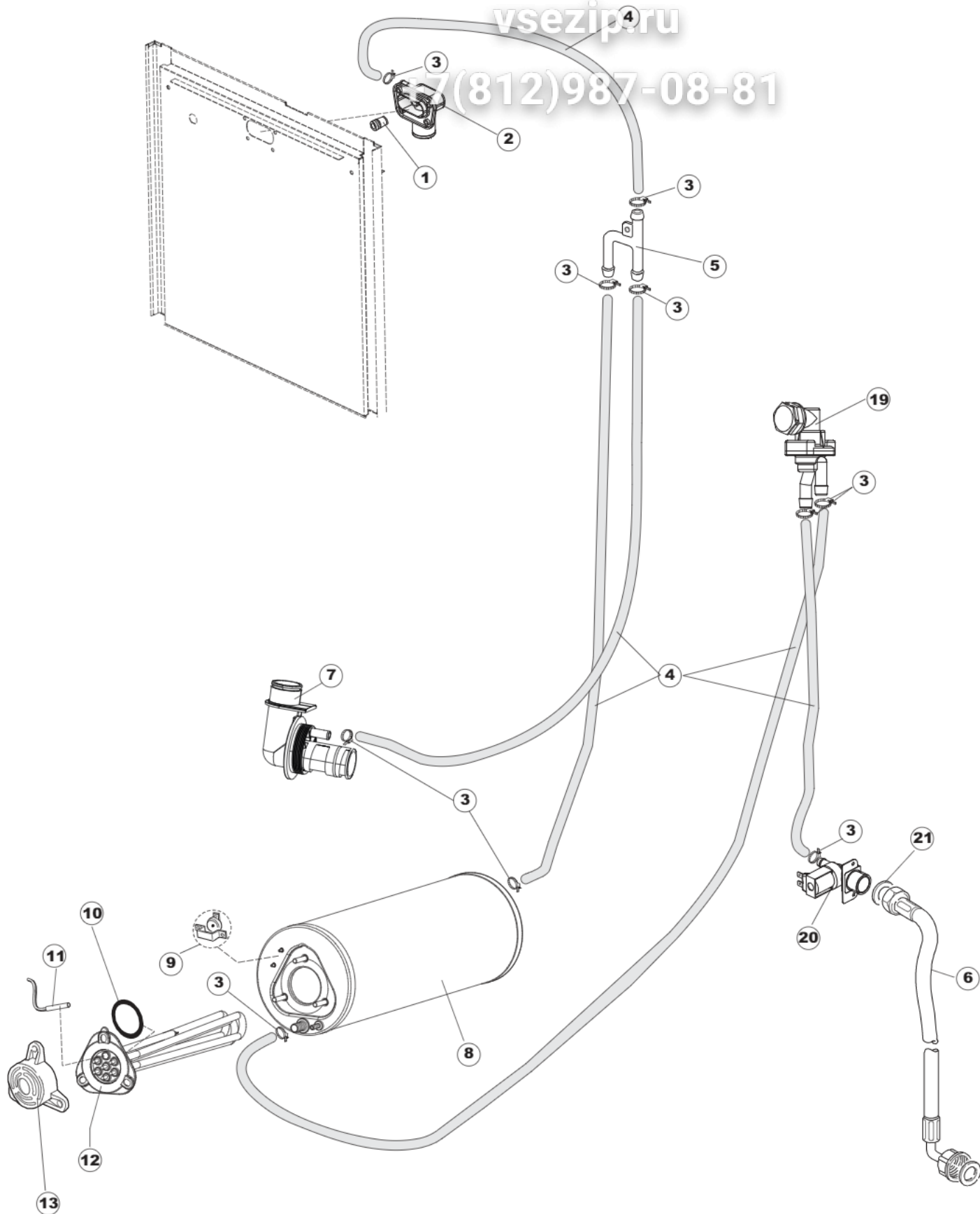
vsezip.ru

+7(812)987-08-81

5 Зип Общежит

vsezip.ru

7(812)987-08-81



| | | | |
|----|----------|--|--|
| 1 | 441009 | INSERTO TENUTA D10 COLL.S621- INSERT, SEAL D10 COLL.S621- EINSATZ, DICHT. D10 SAMM.S621- INSERT ETANCHEITE D10 COLL.S621- ELEMENTO ESTANQ. D10 COLECT. S621- | |
| 2 | 80174 | RACCORDO LAV.SUP. EST. GOLD (COL. NEUTRO) UNION, WASH.UPP. OUTS. GOLD (NEUTRAL COL.) VERBINDUNGSST., OB.SPÜL. AUSS.GOLD (NEUTR. FARBE) RACCORD LAV.SUP.EXT. GOLD (COL. NEUTRE) EMPALME LAV. SUP. EXT. GOLD (COL. NEUTRO) | |
| 3 | 927322 | FASCETTA NASTRO 14-24 CLAMP, TAPE 14-24 SCHLAUCHSCHELLE 12-22 BANDE DE SERRAGE CONVOYEUR 14-24 ABRAZADERA CINTA 12-22 | |
| 4 | 143010 | TUBO PRESS.TP 12X19.5 PIPE, PRESSURE SWITCH TP 12X19.5 ROHR, DRUCKSCHALTER TP 12X19.5 TUYAU PRESS.TP 12X19.5 TUBO PRES. TP 12X19.5 | |
| 5 | 143173 | GIUNZIONE RISC.PLAST.35/40/50 JOINT, RINSE PLAST.35/40/50 VERBIND., NACHSPÜLEN KUNST.35/40/50 JOINT RINC.PLAST.35/40/50 UNION ENJUAGUE PLAST. 35/40/50 | |
| 6 | 929169 | TUBO DI CARICO DEL TERMOPLASTICO PIPE, THERMOPLASTIC DELIVERY ZULAUFSCHLAUCH, WASSER THERMOPLAST TUYAU DE CHARG. DU THERMOPLASTIQUE TUBO DE CARGA DEL TERMOPLASTICO | |
| 7 | 70472 | CONDOTTO LAVAGGIO INFERIORE | |
| 8 | 104060 | BOILER BOILER BOILER SURCHAUFFEUR LA50 CALENTADOR LA50 | |
| 9 | 926189 | TERMOSTATO BOILER SIC.95ø THERMOSTAT, BOILER, SAF.95ø SICHERHEITSTHERMOSTAT BOILER 95° THERMOSTAT CHAUDIERE SEC. 95ø TERMOSTATO CALENTADOR SEG. 95ø | |
| 10 | 456002 | OR 48x6,2 O-ring 48x6,2 O-Ring 48x6,2 OR 48x6,2 OR 48x6,2 | |
| 11 | 231016 | SONDA TEMPERATURA TEMP. PROBE KUGEL SONDE SONDA TEMPERATURA (AMPOLLA ACERO) | |
| 12 | 230020C | KIT RESISTENZA REB230020 (8KW) KIT, RESISTANCE REB230020 (8KW) KIT, WIDERSTAND REB230020 (8KW) KIT RESISTANCE REB230020 (8KW) KIT RESISTENCIA REB230020 (8KW) | |
| 13 | 69870 | PROTEZIONE RESISTENZA BOILER BOILER HEATING ELEMENT PROTECTION HEIZUNGSSCHUETZ DES WARMWASSERBEREITERS PROTECTION RESISTANCE BOILER PROTECCION RESISTENCIA CALENTADOR | |
| 19 | 144010NT | DISPOSIT.A/R CON RACC.SFIATO + CAPP., ES. CHECK VALVE W/DRAIN UNION + CAP, ES. RÜCKSCHLAGVORR. MIT ENTLÜFTUNG + KAPPE, ES. DISPOSIT.ANTI-RETOUR AV/RACC.DE VID.+CAP,ES. VER CODIGO 144010 | |
| 20 | 240016 | VALVOLA DI CARICO 1VIA 3/4 230V PARZ.16L LOADING S.VALVE 1-WAY 3/4 230V PART.16L ZUFLUSSVENTIL 1-WEG 3/4 230V DROSS.16L SOUPAPE DE CHARG. 1VOIE 3/4 230V PARZ.16L VALVULA DE CARGA 1VIA 3/4 230V PARC. 16L | |

| | | | |
|----|--------|--|--|
| 21 | 437041 | GUARNIZIONE 3/4 GAS CARICO GASKET 3/4 GAS LOAD DICHTUNG 3/4 GASVERSORG. JOINT 3/4 GAZ VID. JUNTA 3/4 GAS CARGA | |
|----|--------|--|--|

Зип Общепит

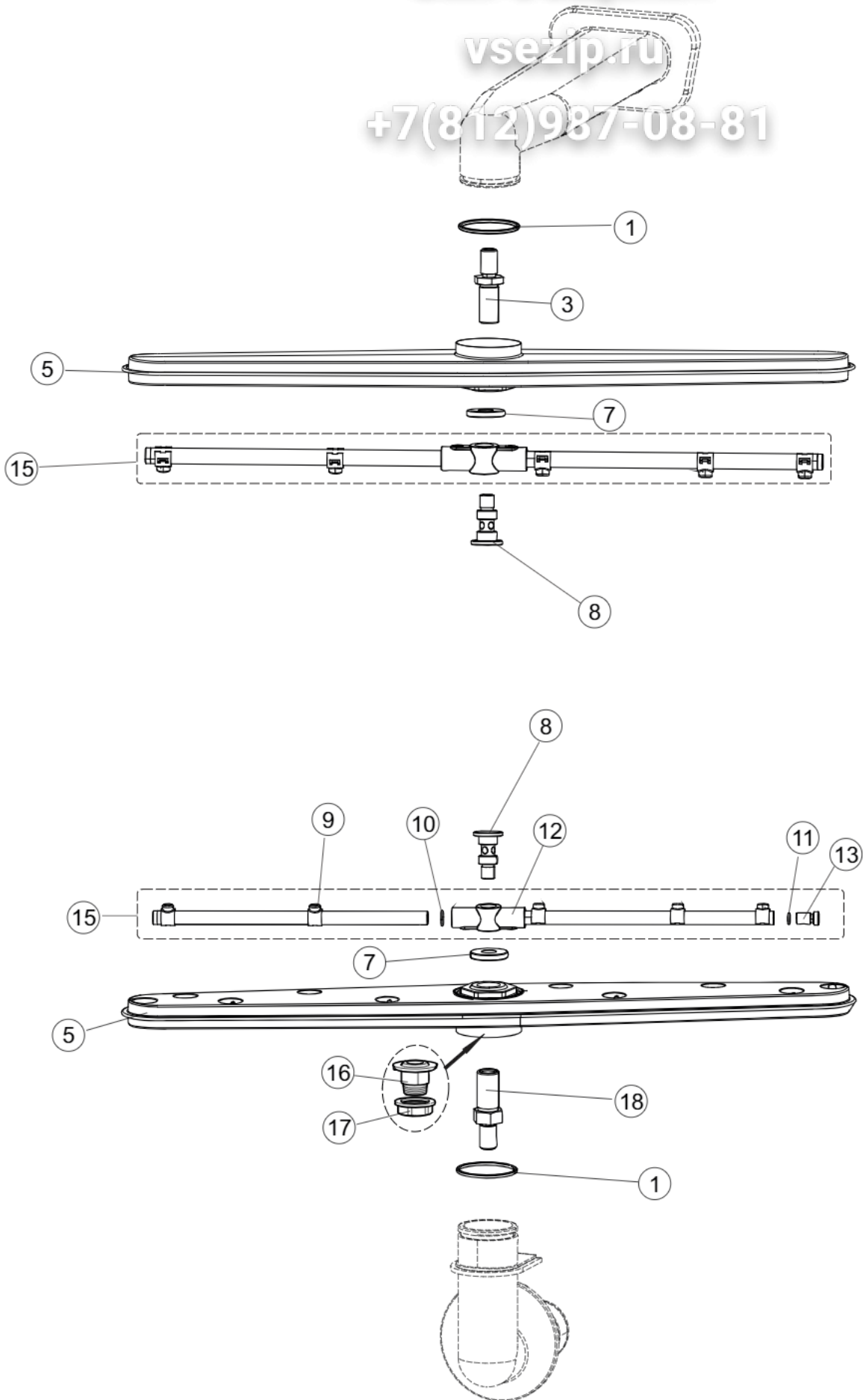
vsezip.ru

+7(812)987-08-81

6 Zip Общепит

vsezip.ru

+7(812)987-08-81

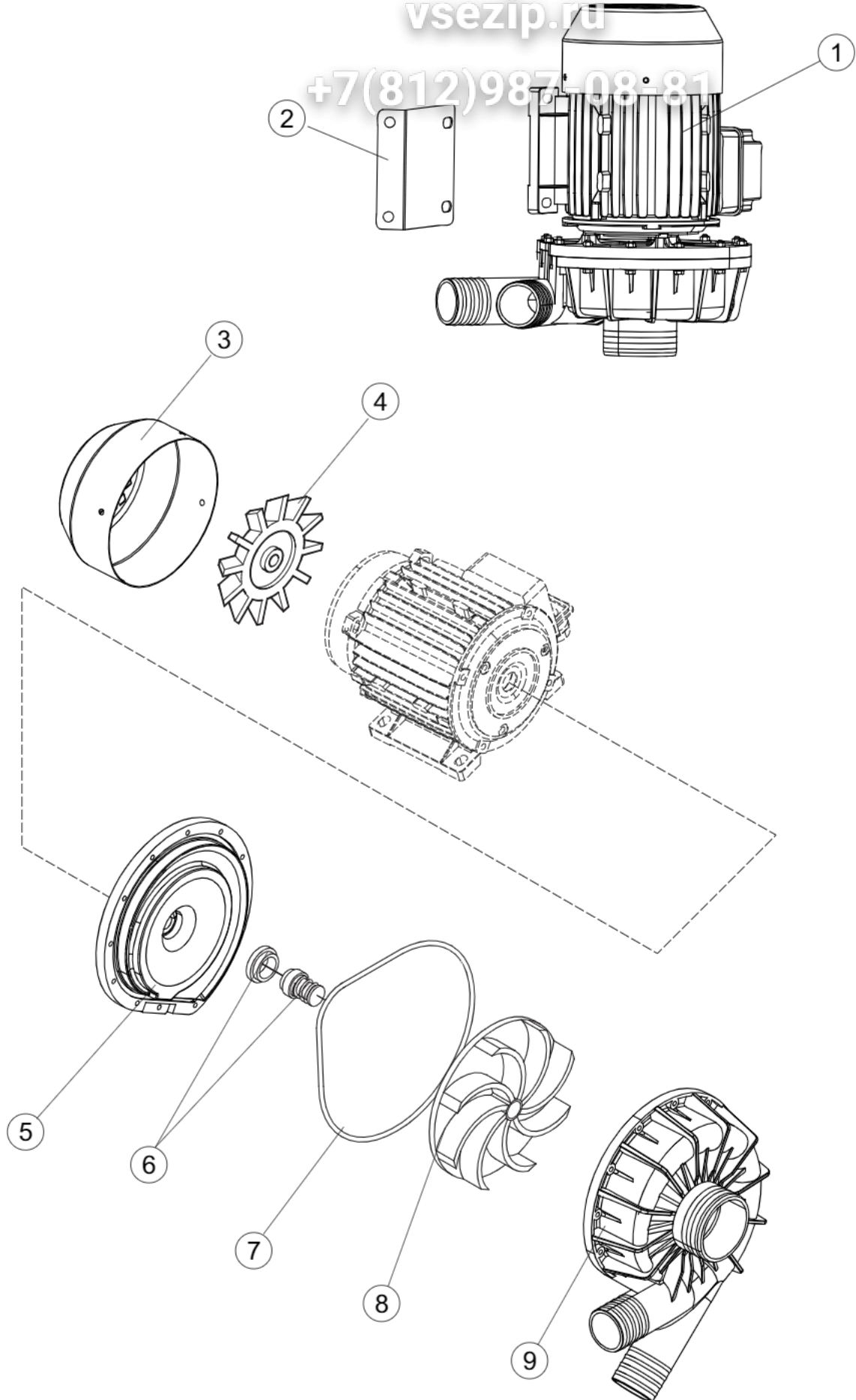


| | | | |
|----|--------|---|--|
| 1 | 80184 | ANELLO TENUTA PER SUPP.LAVAGGIO FIXING RING WASHING SUPPORT GLEIT UND DICHTUNGSRING ANNEAU TENUE SUPPORT LAVAGE ANILLO ESTANQ. PARA SOP.LAVADO | |
| 3 | 80282 | ALBERO PERNO RISC RIVER SHAFT, WASH RINSE RIVER WELLE, ZAPFEN NACHSPÜLEN RIVER ARBRE PIVOT RINC.RIVER EJE PERNO ENJUAGUE RIVER | |
| 5 | 80311 | PETTINE LAVAGGIO RIVER CAPOT COMB, WASHING RIVER CAPOT KAMM, SPÜLEN RIVER-DURCHSCHUBSPÜLAUTOM. PEIGNE LAVAGE RIVER CAPOT PEINE LAVADO RIVER CAPOT | |
| 7 | 80679 | GHIERA ULTRA RINSE INOX NUT RING BAGUE VIROLA ULTRA RINSE INOX | |
| 8 | 80644 | PERNO | |
| 9 | 140036 | SPRUZZO RISCIAQUO D.2,5 X TUBO D12 RINSE JET DUESE GLICEUR ROCIADOR ENJUAGUE D. 2,5 | |
| 10 | 456019 | OR 2037 O-ring 2037 O-Ring 2037 OR 2037 OR 2037 | |
| 11 | CGR106 | O-RING 106 GOMMA NITR. (6,75 X 1,78 NBR) O-ring 106 NITRILE RUBBER (6,75 X 1,78 NBR) O-RING 106 NITRILGUMMI (6,75 X 1,78 NBR) O-RING 106 CAOUTCHOUC NITRYLE (6,75 X 1,78 NBR) VER CODIGO 456030 | |
| 12 | 69632 | CORPO PETTINE ARM BODY KOERPER DES NACHSPUELARMES CORPS BRAS CUERPO PEINE ENJUAGUE. | |
| 13 | 926132 | TAPPO PL.X BRACCIO DI RISC.(DWT312) CAP, PLASTIC FOR WASH. ARM (DWT312) PFROPFEN, KUNST. FÜR NACHSPÜLARM (DWT312) BOUCHON PL.POUR BRAS DE RINC.(DWT312) TAPON PL. X BRAZO DE ENJUAGUE (DWT312) | |
| 15 | 69677 | BRACCIO RISCIAQUO RINSE ARM NACHSPUELARM BRAS RINC PEINE ENJUAGUE RIVER 80/81 | |
| 16 | 80310 | SUPPORTO LANC/LAVAGGIO (RAL7001) SUPPORT, WASH-ARM/WASH. (RAL7001) HALTER, SPÜLLANZE/SPÜL. (RAL7001) SUPPORT RAMPE DE LAVAGE (RAL7001) SOPORTE LANC/LAVADO (RAL7001) | |
| 17 | 80314 | DADO LANCIA LAVAGGIO GRIGIO NUT, WASH-ARM GREY SCHRAUBENMUTTER, SPÜLLANZE GRAU ECROU RAMPE DE LAVAGE GRIS VER CODIGO 926128 | |
| 18 | 80283 | PERNO INFERIORE LANCIA LAVAGGIO ALTO PIN, LOWER, WASH.NOZZLE, HIGH ZAPFEN, UNTEN, SPÜLLANZE HOCH PIVOT INFERIEUR RAMPE DE LAVAGE HAUT PERNO INFERIOR LANZA LAVADO ALTO | |

7 Zip Ощепит

vsezip.ru

+7(812)987-08-81



| | | | |
|---|-------|--|--|
| 1 | 70100 | ELETTROPOMPA 1,5KW 230/400V 50HZ PUMP PUMPE POMPE ELECTROBOMBA | |
| 2 | 70105 | STAFFA POMPA LAVAGGIO | |
| 3 | 70940 | COPRIVENTOLA | |
| 4 | 70939 | COPRIVENTOLA | |
| 5 | 70941 | COPRIVENTOLA | |
| 6 | 70942 | TENUTA MECCANICA | |
| 7 | 70943 | O-RING | |
| 8 | 70944 | GIRANTE | |
| 9 | 70945 | CHIOCCIOLA | |