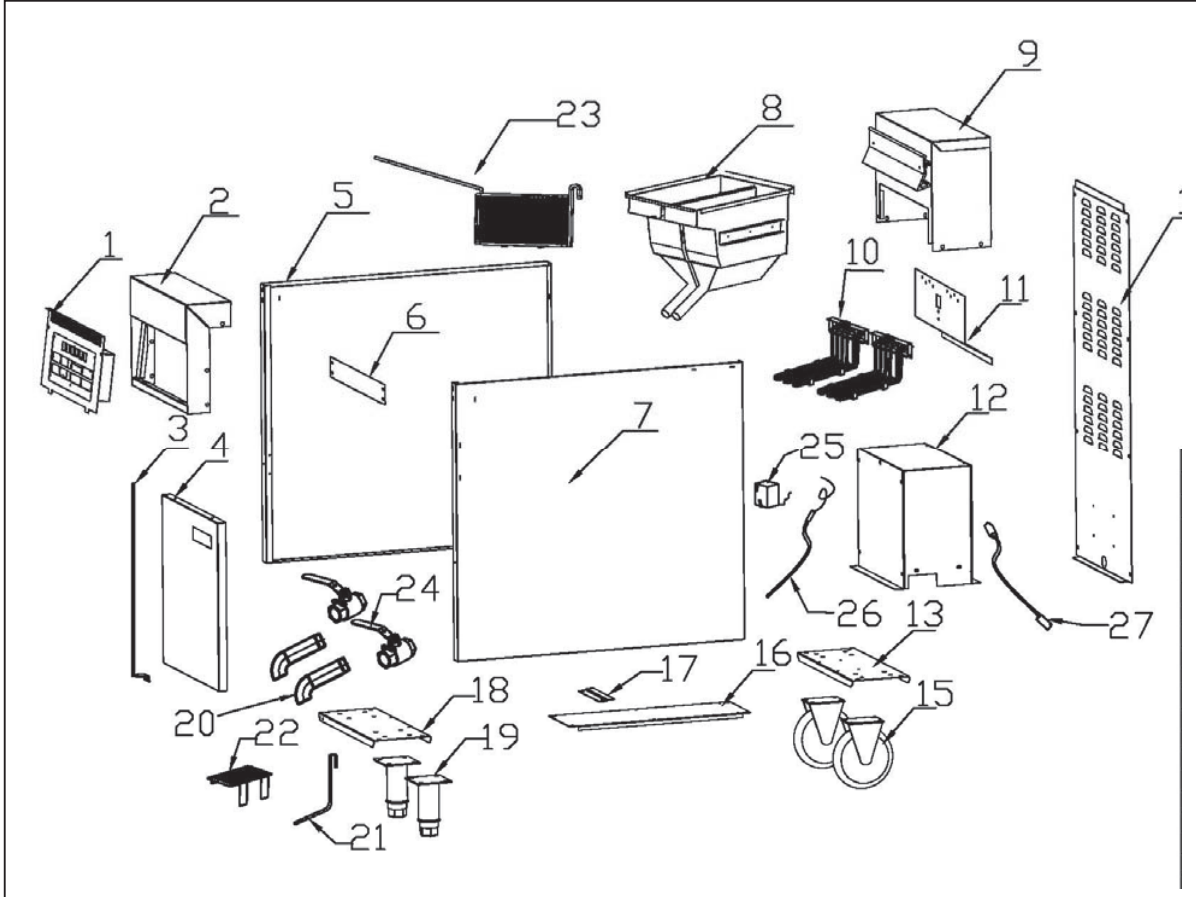


Model FRYH18C2 (twin tanks)

Exploded view-08-81



Model FRYH18C2 (twin tanks)

BOM of Material-08-81

Item	P/N	Description	Qty
1	S01008	Control panel module	1
2	S01075	Control panel cover	1
3	B-FRYH18C-02-01	Hinge	1
4	S01073	Door assembly	1
5	10100005	Left side	1
6	10100010	Front rail	1
7	10100064	Right side	1
8	S01016	Fry pot	1
9	S01076	Rear top assembly	1
10	S01018	Heating element module	2
11	10100030	Bracket	1
12	S01002	Electrical box	1
13	10100006	Rear leg channel	1
14	10100019	Rear panel	1
15	B05080	Caster	2
16	10100010	Bottom channel	1
17	10100018	Electrical box channel	1
18	10100007	Front leg channel	1
19	SB13023	Feet	2
20	S01026	Drain pipe	2
21	S01025	Cloagage clearing rod	1
22	S01004	Heating element shield	2
23	B18026	Fry basket	2
24	B09022	Drain valve	2
25	E03039	Hi limit	2
26	S01070	Sensor probe	2
27	S01003	Data wire	2