

**SPARE PARTS CATALOGUE  
ERSATZTEILKATALOG  
CATALOGUE PIECES DETACHEES  
CATALOGO PARTI RICAMBIO  
CATALOGO DE PIEZAS DE RECAMBIO  
CATALOGO PECAS, DE REPOSICAO**

Catalogo parti di ricambio valido  
dalla matricola 4365999 alla matricola 4373446

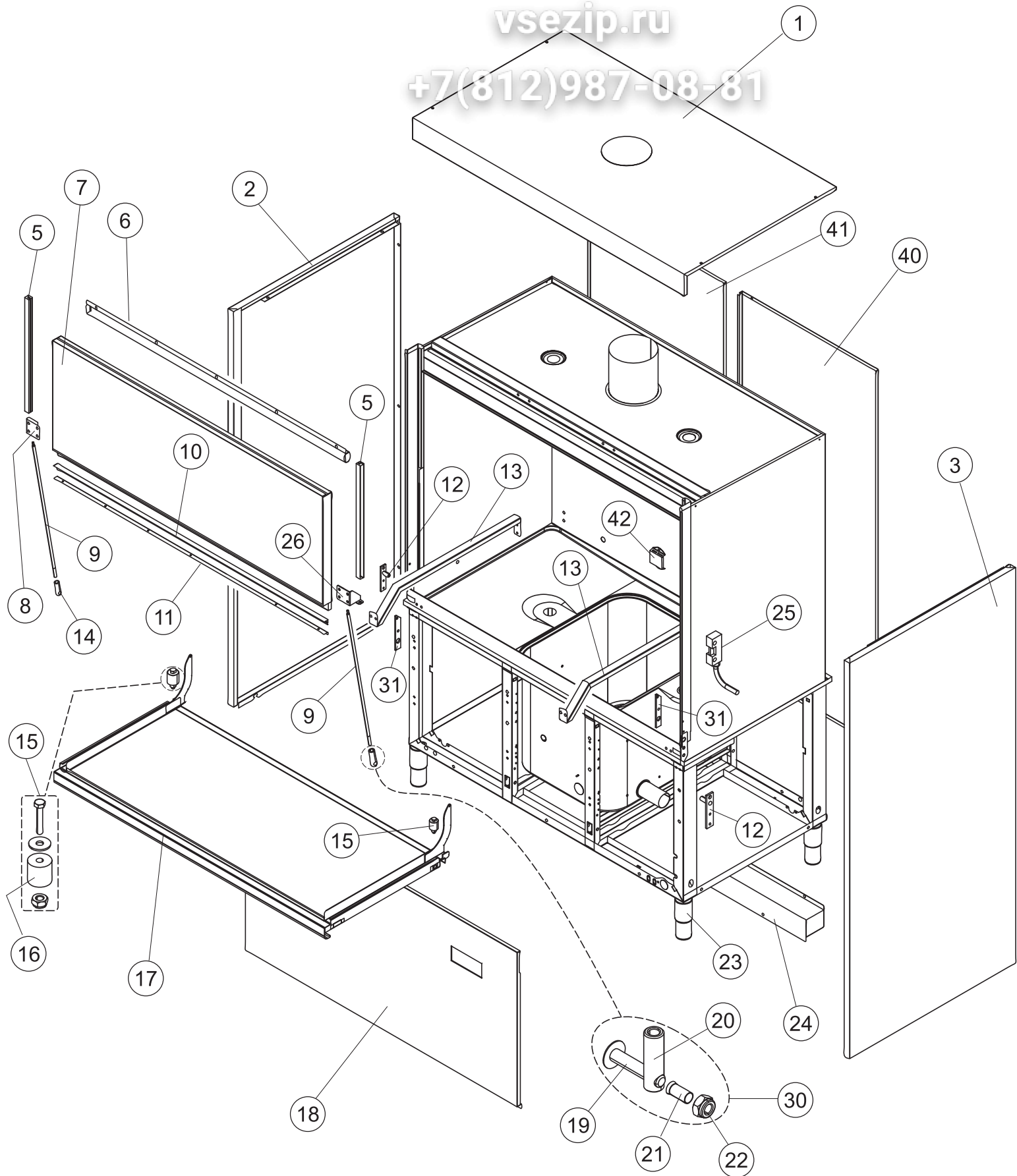
Catalogue pieces detachees  
du numero de Série n. 4365999 jusqu'à n. 4373446

Ersatzteilkatalog  
gültig ab Serien-Nr. 4365999 bis Serien-Nr. 4373446

Spare parts catalogue  
valid from serial no. 4365999 to serial no. 4373446

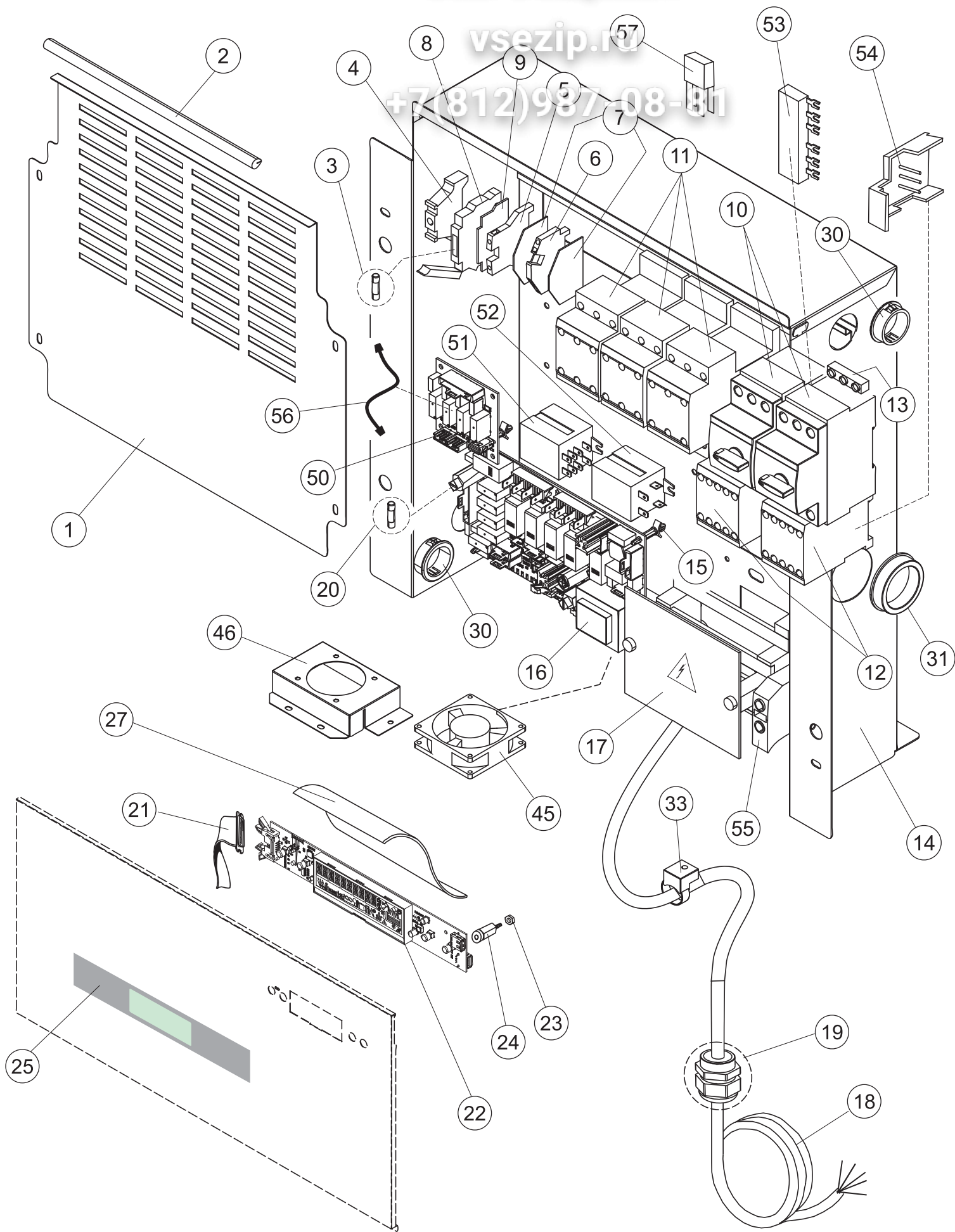
Catálogo de peças de reposição  
número de série 4365999 até o número de série 4373446

**AK924**



vsezip.ru

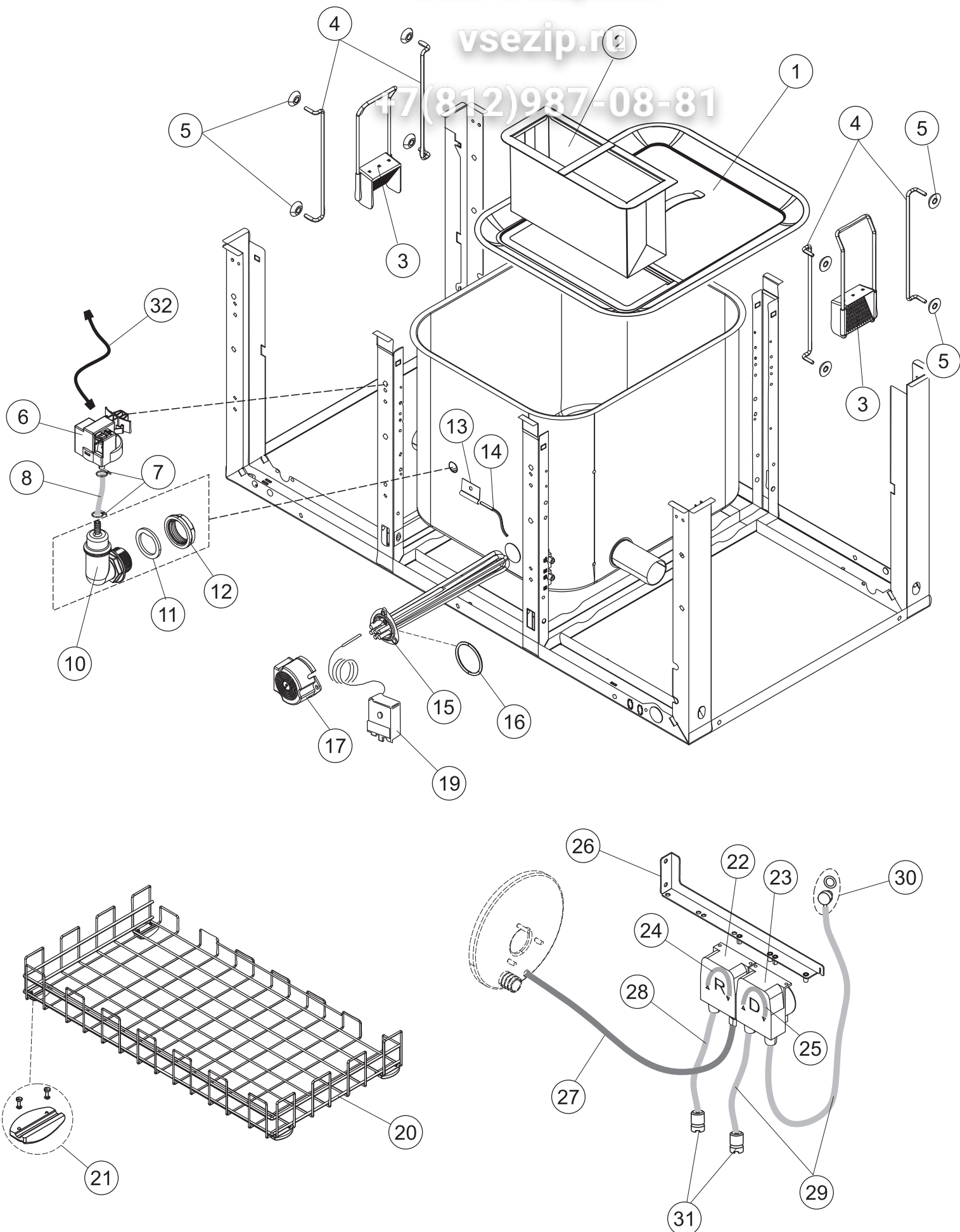
+7(812)997-08-01

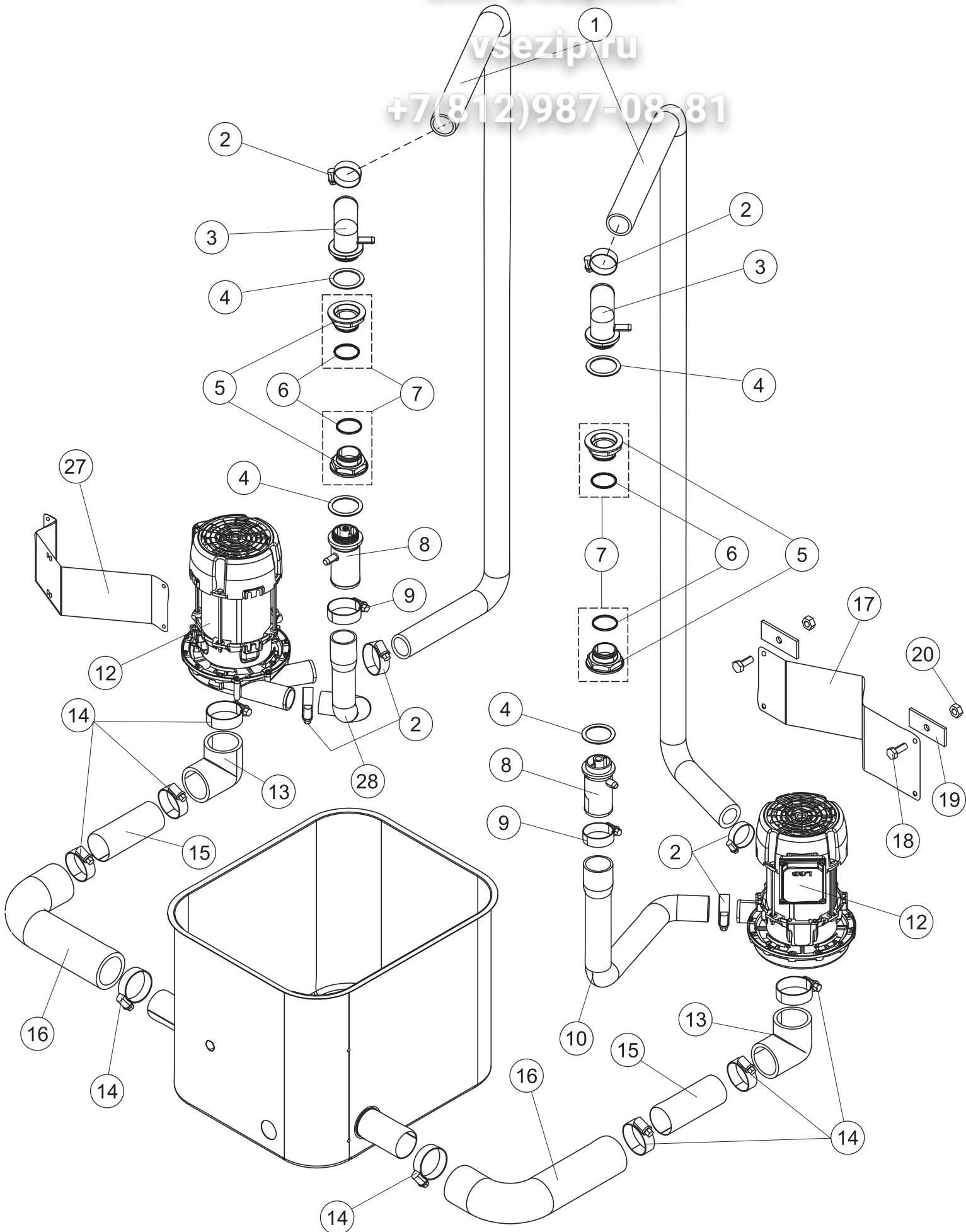


# 3 Zip Общепит

vsezip.ru

+7(812)987-08-81

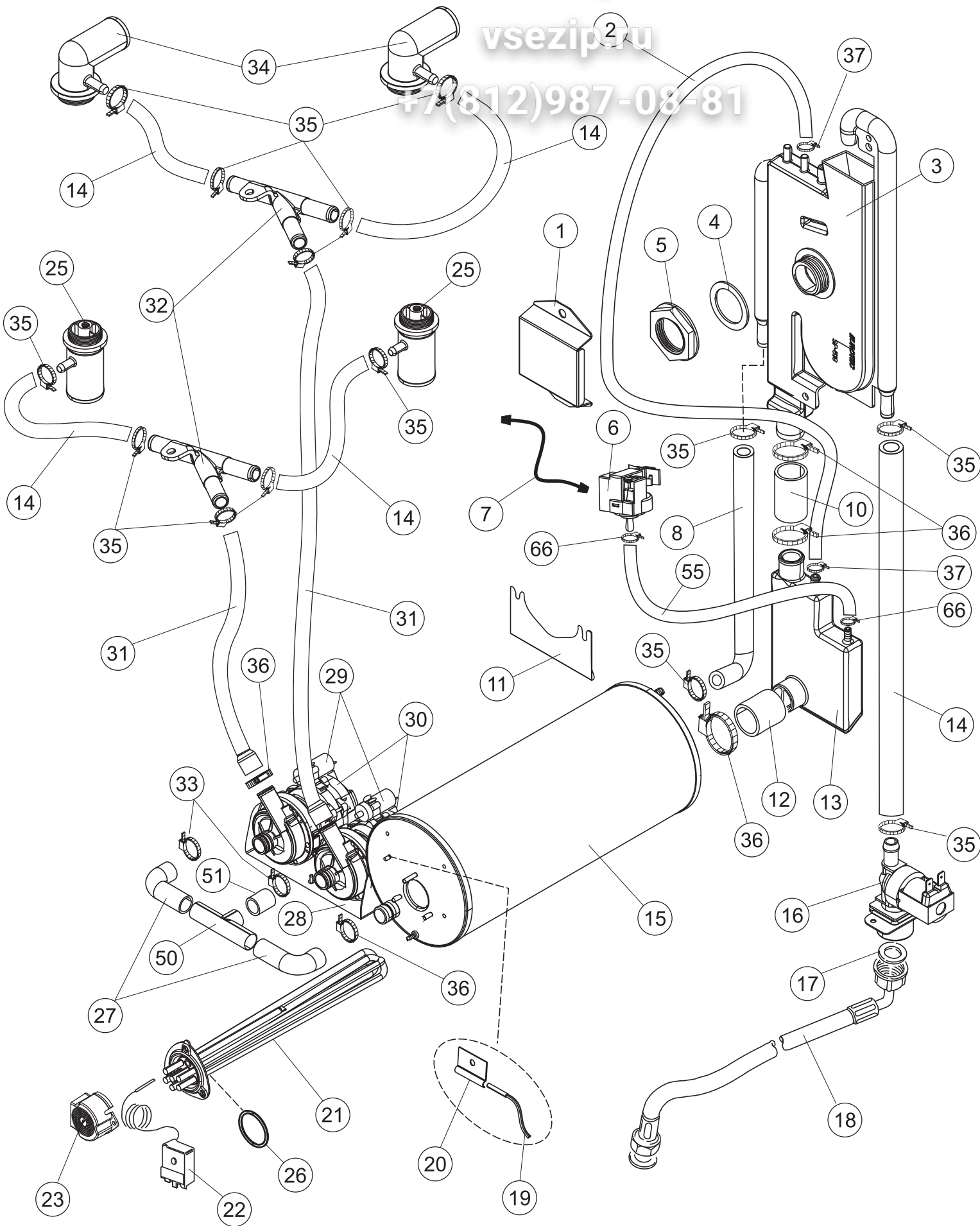




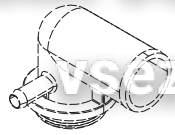
# 5 Зип Общежит

vsezip.ru

+7(812)987-08-81

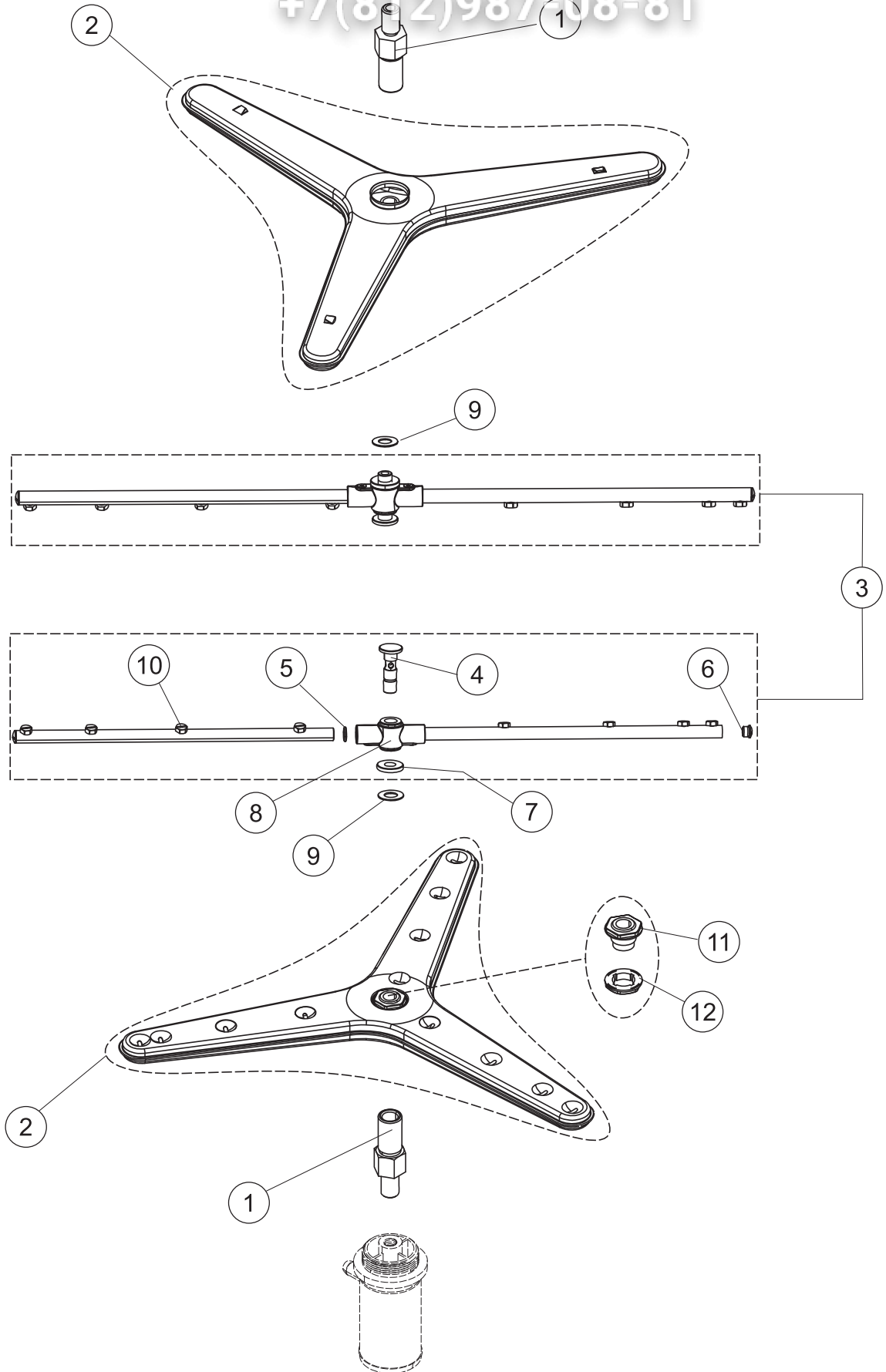


# 6 Zip Общепит



vsezip.ru

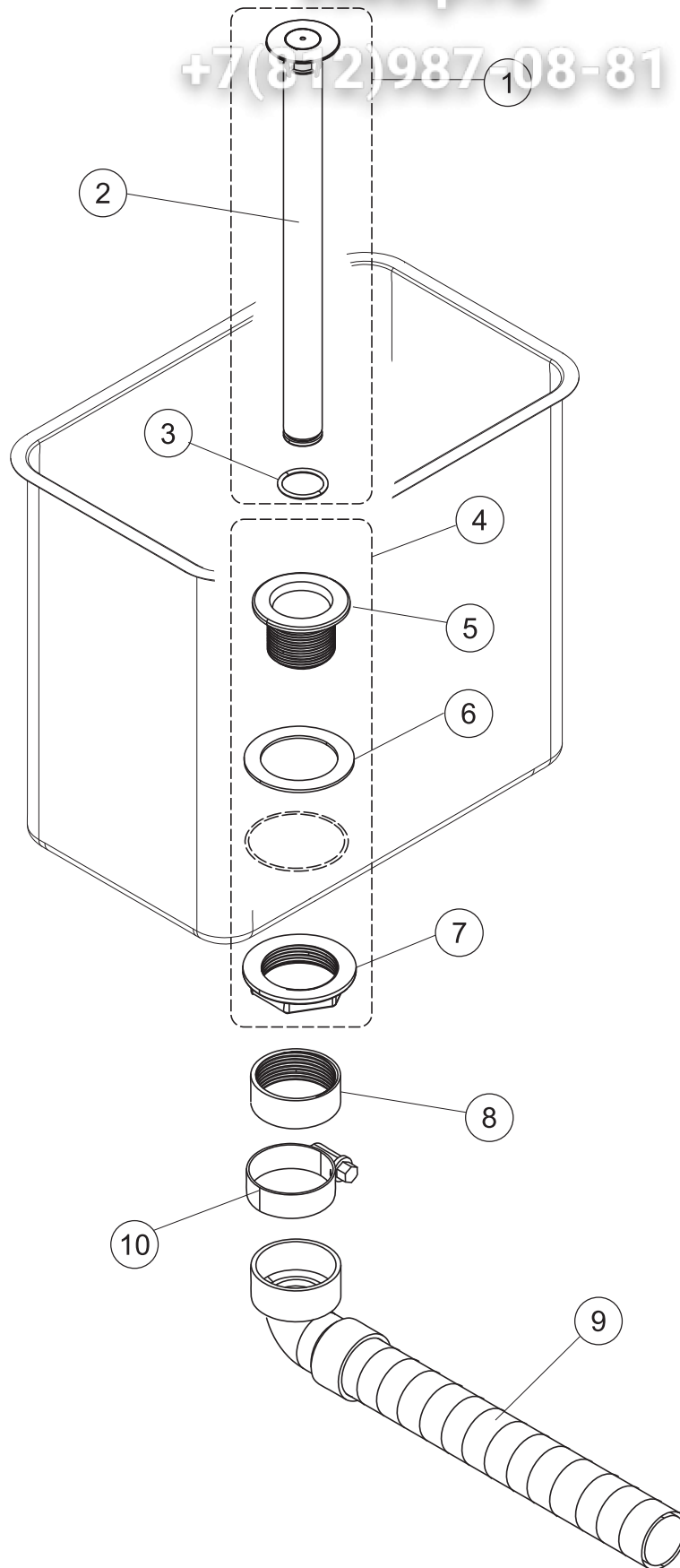
+7(812)987-08-81



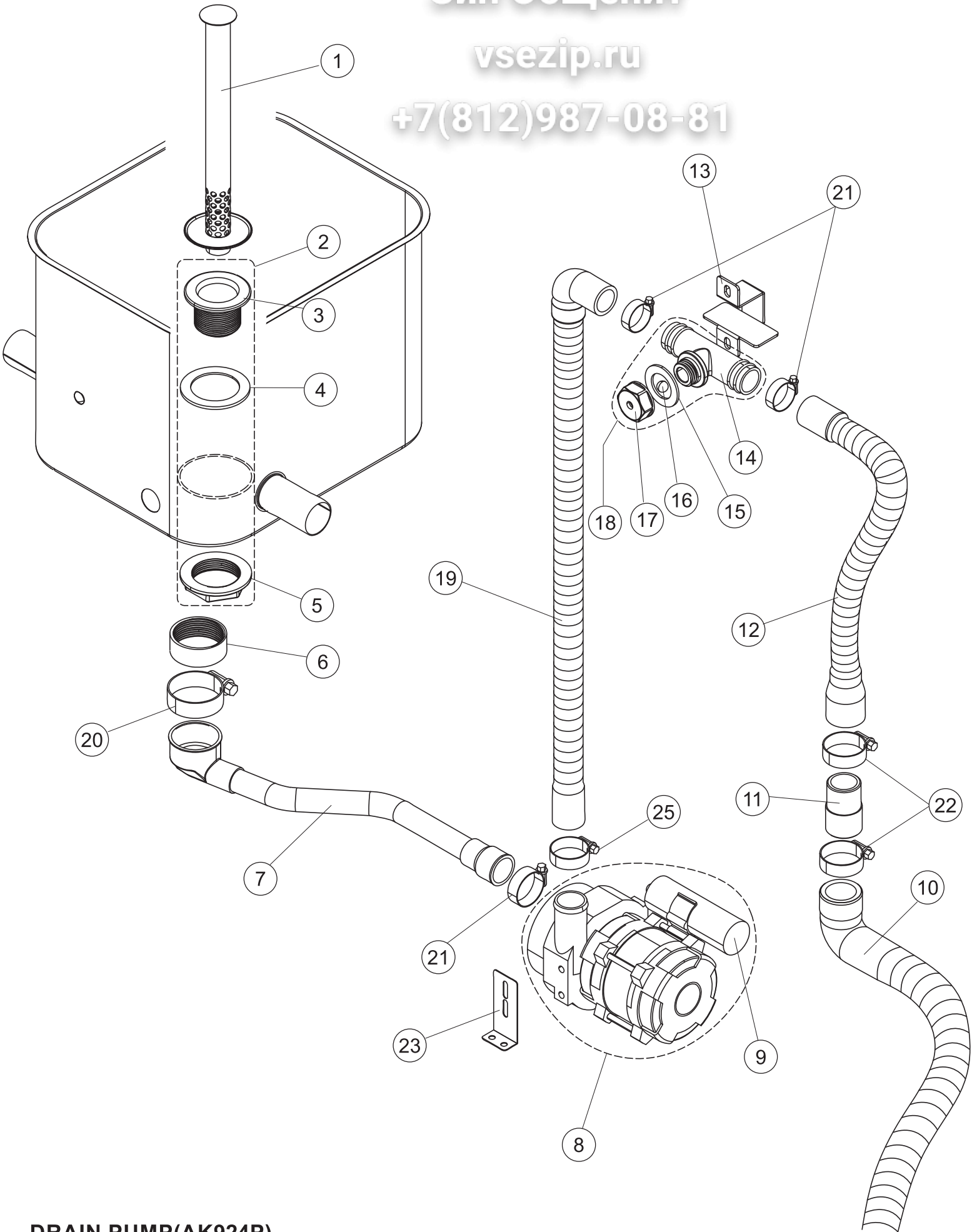
# 7 Зип-Общепит

vsezip.ru

+7(812)987-08-81



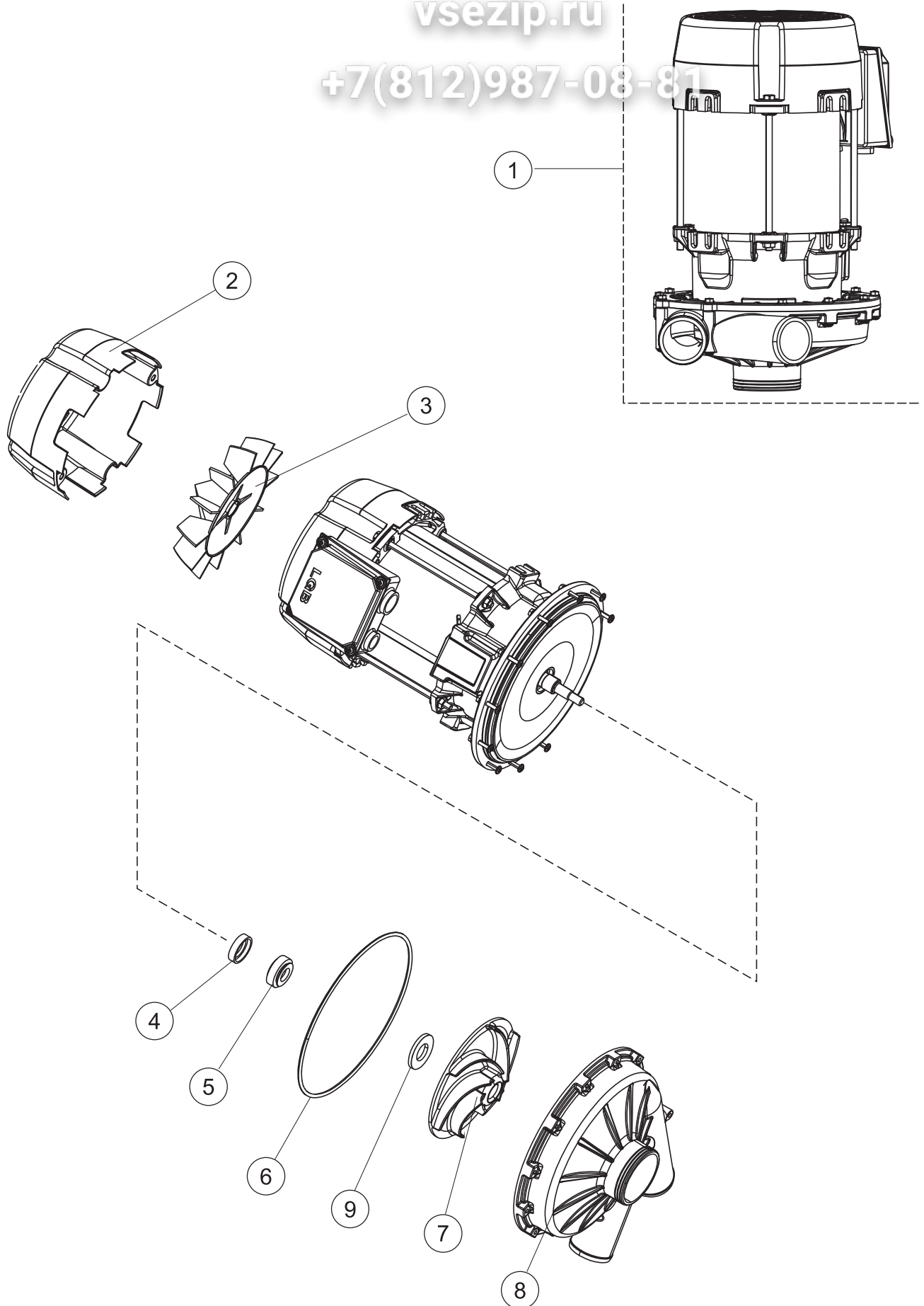




# 9 Zip Общепит

vsezip.ru

+7(812)987-08-81



(\*) Recommended spare part.

Page	Spare part position	Spare part code no.	Old code number	Description	U.m.
1	1	67548		TOP PANEL	NR
1	2	67210		SIDE PANEL	NR
1	3	67214		SIDE PANEL	NR
1	5	44265		DOOR SLIDING GUIDE - UPPER	NR
1	6	43055		TOP DOOR-STOP BAR	NR
1	7	K67380		TOP DOOR LP7	NR
1	8	4108801		SUPPORT BRACKET	NR
1	9	44593		DOOR LEVER	NR
1	10	43383		DOOR GASKET	NR
1	11	43382		DOOR PACKING SUPPORT - UPPER	NR
1	12	4114501		SMALL PLATE FOR DOOR PIN	NR
1	13	42539		RACK SLIDE	NR
1	14	K41095		UPPER BUSH FOR DOOR TIE	NR
1	15	K80105LP		PARE-CHOCS HOOD TYPE	NR
1	16	80105		HOOD / DOOR STOP	NR
1	17	67418		LOWER DOOR	NR
1	18	67424		FRONT PANEL	NR
1	19	486078		STAINLESS STEEL SCREW 6MAX30 T.1/2 TC	NR
1	20	41095		UPPER BUSH FOR DOOR TIE FOR POT AND PAN WASHERS	NR
1	21	DZT7981		PRICE TO BE DEFINED (PART NR. REPLACED BY 926265)	
1	22	CDI206AU		NUT - SELF-LOCK	NR
1	23	927006		FOOT	NR
1	24	67526		BACK PANEL	NR
1	25	80871		MAGNETIC DOOR SWITCH	NR
1	26	4108701		DOOR BRACKET	NR
1	30	K41095		UPPER BUSH FOR DOOR TIE	NR
1	31	4113501		DOOR SIDE THICKNESS - DX/SX	NR
1	40	67521		BACK PANEL	NR
1	41	67522		BACK PANEL	NR
1	42	43527		GUARD	NR
2	1	67507		COVER	NR
2	2	K67061		SEAL	NR

(\*) Recommended spare part.

Page	Spare part position	Spare part code no.	Old code number	Description	U.m.
2	3	228014		PRICE TO BE DEFINED (PART NR. REPLACED BY 228010)	
2	3	228010		FUSE	NR
2	4	75817		ELECTRICAL CONNECTOR FOR U-SHAPED BAR	NR
2	5	927114		TERMINAL BLOCK	NR
2	6	74938		TERMINAL	NR
2	7	74939		TERMINAL	NR
2	8	74935		FUSE-HOLDER	NR
2	9	H.228048		PRICE TO BE DEFINED	
2	10	DEI38N		AUTOMATIC SWITCH	NR
2	11	73351		CONTACTOR	NR
2	12	73350		CONTACTOR	NR
2	13	80826		POWER CONNECTOR	NR
2	14	67511		PANEL LP3 2018	NR
2	15	CWP2		FOOT	NR
2	16	215042-9		MAIN BOARD GET50.2 ELETTRONICA J	NR
2	17	75983		TERMINAL BLOCK	NR
2	18	75989		POWER CABLE	NR
2	19	75991		CABLE GLAND	NR
2	20	228010		FUSE	NR
2	21	74933		FLAT CABLE WITH PROTECTIVE SHEATH	NR
2	22	74905V-2		PRICE TO BE DEFINED (PART NR. REPLACED BY 74905V)	
2	22	74905V		CONTROL KEYBOARD	NR
2	23	417119		NUT	NR
2	24	419036		INTERFACE BOARD DISTANCE KEEPERS	NR
2	25	67819		CONTROL ADHESIVE INTERFACE AK924 APACH	NR
2	27	80732		PROTECTIVE SHEET	NR
2	30	70270		BUSH	NR
2	31	69076		BUSH	NR
2	33	80831		HOSE CLAMP	NR
2	45	67623		80X80 SQUARE FAN (230V-50 / 60HZ)	NR
2	46	67046		BRACKET	NR
2	50	74903		MAIN BOARD	NR

(\*) Recommended spare part.

Page	Spare part position	Spare part code no.	Old code number	Description	U.m.
2	51	929115		RELAY 16A 230V	NR
2	52	DER111		PRICE TO BE DEFINED (PART NR. REPLACED BY 229029)	
2	52	229029		RELAY	NR
2	53	80829		BAR ELECTRICAL CONNECTION	NR
2	54	73830		CONNECTOR	NR
2	55	74936		TERMINAL	NR
2	56	65911		ELECTRIC WIRING	NR
2	57	74940		PRICE TO BE DEFINED	
3	1	43039		STAINER	NR
3	2	43044		STAINER	NR
3	3	75661		PUMP ASPIRATION FILTER	NR
3	4	42092		ASPIRATION FILTER SLIDE	NR
3	5	472061		WASHER	NR
3	6	224031		PRESSURE SWITCH	NR
3	7	423011		PART NUMBER NO LONGER AVAILABLE (PART NR. REPLACED BY 423028)	
3	7	423028		HOSE CLAMP	NR
3	8	143235		PIPE	MT
3	10	70600		AIR TRAP FOR PRESSURE SWITCH	NR
3	11	437098		GASKET	NR
3	12	417120		NUT	NR
3	13	H.775489-001		SUPPORT TEMPERATURE PROBE	NR
3	14	231016		TEMPERATURE PROBE	NR
3	15	80397C		HEATING ELEMENT 10500W 230/400V	NR
3	16	456002		O-RING	NR
3	17	69870		BOILER HEATING ELEMENT PROTECTION	NR
3	19	67870		THERMOSTAT	NR
3	20	43305		STAINLESS STEEL BASIS RACK 1310X700 FOR	NR
3	21	K41400		KIT RACK SLIDING BLOCKS	NR
3	22	209042		DOSING PUMP	NR
3	23	209043		DETERGENT DOSING PUMP	NR
3	24	143261		HOSE	NR
3	25	143258		"SANTOPRENE" PIPE	NR

(\*) Recommended spare part.

Page	Spare part position	Spare part code no.	Old code number	Description	U.m.
3	26	67042		SUPPORT BRACKET	NR
3	27	143005		LINEN RUBBER PIPE 5X12 - BLACK	MT
3	28	H.775601		PIPE	MT
3	29	143194		PIPE	MT
3	30	999348		DETERGENT TANK FITTING	NR
3	31	121993		FILTER AID DISPENSER	NR
3	32	87131		ELECTRIC WIRING	NR
4	1	67039		PIPE	NR
4	2	CFS1A		HOSE CLAMP	NR
4	3	67180		PIPE FITTING	NR
4	4	80182		GASKET	NR
4	5	80281		PRICE TO BE DEFINED (PART NR. REPLACED BY 80285)	
4	5	80285		RING NUT	NR
4	6	303032		INOX RING	NR
4	7	80285		RING NUT	NR
4	8	67179		PIPE FITTING	NR
4	9	CFS2		CLAMP, TORRO W1/W2B 50-70/12	NR
4	10	67016		INLET HOSE	NR
4	12	67600		ELECTROPUMP 2.7KW LP2/LP3(400/230V-50)	NR
4	13	926056		PIPE ELBOW	NR
4	14	CFS3		CLAMP, HOSE-TYPE TORRO W2B 60-80/12	NR
4	15	67591		PIPE	NR
4	16	67592		SUCTION PIPE	NR
4	17	67557		SUPPORT BRACKET	NR
4	18	CVZ124F		SCREW	NR
4	19	926064		SEAL DAMPENS VIBRATIONS	NR
4	20	CDZ208R		PRICE TO BE DEFINED (PART NR. REPLACED BY 417087)	
4	20	417087		NUT	NR
4	27	67555		SUPPORT BRACKET	NR
4	28	67038		SLEEVE	NR
5	1	43527		GUARD	NR
5	2	H.165168		PIPE	MT

(\*) Recommended spare part.

Page	Spare part position	Spare part code no.	Old code number	Description	U.m.
5	3	999372		BREAK TANK + HOSE	NR
5	4	437104		GASKET	NR
5	5	417125		NUT	NR
5	6	224031		PRESSURE SWITCH	NR
5	7	87132		WIRING	NR
5	8	143004		PIPE	MT
5	10	929171		RUBBER PIPE 20X29	MT
5	11	43214		PRICE TO BE DEFINED	
5	12	127095		BOILER PIPE	NR
5	13	144032		LOADING SYSTEM BOILER CRP WITH BELL PRESSURE SWITCH	NR
5	14	143004		PIPE	MT
5	15	67550		BOILER 17LT LP3	NR
5	16	240018		SOLENOID VALVE	NR
5	17	437041		GASKET	NR
5	18	143277		INLET HOSE	NR
5	19	231016		TEMPERATURE PROBE	NR
5	20	H.775489-001		SUPPORT TEMPERATURE PROBE	NR
5	21	80397C		HEATING ELEMENT 10500W 230/400V	NR
5	22	67870		THERMOSTAT	NR
5	23	69870		BOILER HEATING ELEMENT PROTECTION	NR
5	25	67179		PIPE FITTING	NR
5	26	456002		O-RING	NR
5	27	43565		RINSE PIPE	NR
5	28	43570		SUPPORT BRACKET	NR
5	29	206013		CAPACITOR	NR
5	30	80627		RINSE PUMP 50 HZ	NR
5	31	41525		RINSE DELIVERY TUBE(CRP)	NR
5	32	143268		JUNCTION "Y"	NR
5	33	CFS25		CLAMP 25-40 W1	NR
5	34	67180		PIPE FITTING	NR
5	35	927322		HOSE CLAMP	NR
5	36	423032		HOSE CLAMP	NR

(\*) Recommended spare part.

Page	Spare part position	Spare part code no.	Old code number	Description	U.m.
5	37	423026		CABLE TIE	NR
5	50	43560		SLEEVE INOX "T"	NR
5	51	43564		DELIVERY WASH HOSE	NR
5	55	143235		PIPE	MT
5	66	423011		PART NUMBER NO LONGER AVAILABLE (PART NR. REPLACED BY 423028)	
5	66	423028		HOSE CLAMP	NR
6	1	67563		PIVOT	NR
6	2	67315		WASH ARM	NR
6	3	67279		TOP COMPLETE RINSE ARM LP2	NR
6	4	80696		PRICE TO BE DEFINED	
6	5	456019		O-RING	NR
6	6	80687		PLUG	NR
6	7	80679		RING NUT	NR
6	8	999314		PRICE TO BE DEFINED	
6	9	80622		WASHER	NR
6	10	80657		STAINLESS STEEL RINSE SPRAY NOZZLE	NR
6	11	80310		GREY WASH ARM HOLDER (RAL 7001)	NR
6	12	80314		PART NUMBER NO LONGER AVAILABLE (PART NR. REPLACED BY 926128)	
6	12	926128		HUB SUPPORT NUT FOR WASHING ARMS FOR DISHWASHERS MOD L51/52 (S6695)	NR
7	1	K42582		OVERFLOW PIPE	NR
7	2	42582		OVERFLOW PIPE	NR
7	3	CGR4131NT		O-RING	NR
7	4	K75871		KIT FOR DRAIN OUTLET	NR
7	5	75871		DRAIN CONNECTION	NR
7	6	75873		GASKET	NR
7	7	75872		NUT WASTE DRAIN	NR
7	8	67523		PIPE FITTING	NR
7	9	143136		DRAIN HOSE	NR
7	10	CFS1A		HOSE CLAMP	NR
8	1	67587		FILTER	NR
8	2	K75871		KIT FOR DRAIN OUTLET	NR
8	3	75871		DRAIN CONNECTION	NR



(\*) Recommended spare part.

Page	Spare part position	Spare part code no.	Old code number	Description	U.m.
8	4	75873		GASKET	NR
8	5	75872		NUT WASTE DRAIN	NR
8	6	67523		PIPE FITTING	NR
8	7	127056		PUMP ASPIRATION SLEEVE	NR
8	8	K67117		DRAIN PUMP LP 220/240 50/60HZ 144W	NR
8	9	67123		CAPACITOR 4MF (POMPA 67117)	NR
8	10	143252		DRAIN HOSE	NR
8	11	70167		DRAIN CONNECTION	NR
8	12	70110		DRAIN HOSE	NR
8	13	80637		SUPPORT BRACKET	NR
8	14	144024		VENT VALVE	NR
8	15	437083		GASKET	NR
8	16	476008		SPHERE	NR
8	17	468199		PIPE FITTING	NR
8	18	73576		SP2 VENT VALVE	NR
8	19	80702		DRAIN HOSE	NR
8	20	CFS1A		HOSE CLAMP	NR
8	21	423032		HOSE CLAMP	NR
8	22	CFS1		PART NUMBER NO LONGER AVAILABLE	
8	23	80712		BRACKET	NR
8	25	423032		HOSE CLAMP	NR
9	1	67600		ELECTROPUMP 2.7KW LP2/LP3(400/230V-50)	NR
9	2	66456		MOTOR FAN COVER	NR
9	3	66457		FAN	NR
9	4	66452		FIXED SHAFT SEAL (1033R)	NR
9	5	66453		ROTATING MECHANICAL SEAL(1032R)	NR
9	6	66455		O-RING 3877R	NR
9	7	66458		IMPELLER 3878 (POMPA 67600)	NR
9	8	66451		PUMP HOUSING (3868R)	NR
9	9	CRI10		WASHER	NR