



Tools for Chefs

Hendi B.V.  
 Steenoven 21  
 3911 TX Rhenen  
 The Netherlands

Batch #

171244 and up

Appliance part#

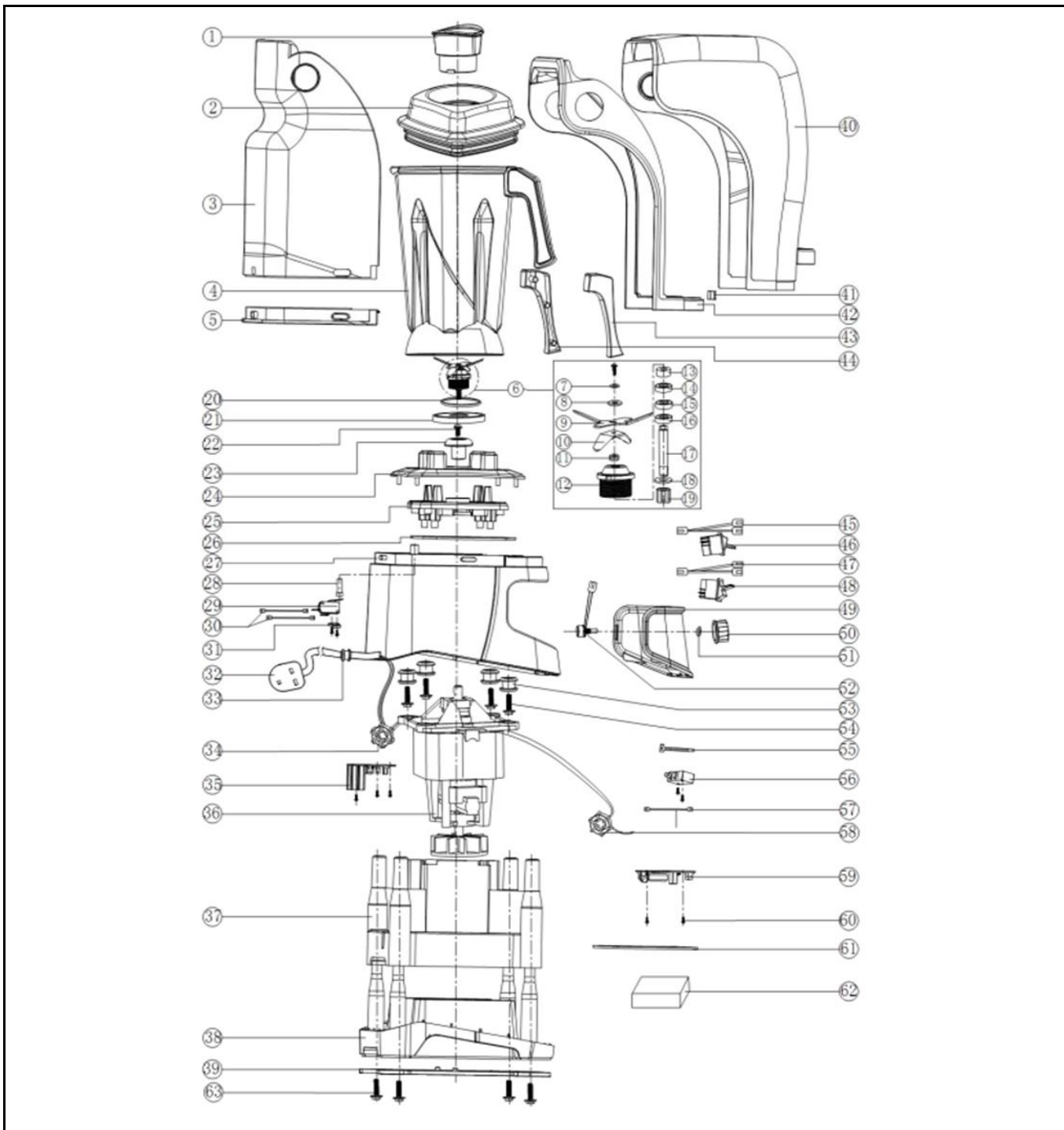
230688

Description

Blender with noise cover

+7(812)987-08-81

|          |                               |            |     |
|----------|-------------------------------|------------|-----|
| Date     | 17-02-2021                    | Revision # | 1,0 |
| Revision | First Bill of Materials (BOM) |            |     |



Bill of materials (BOM)



Hendi B.V.  
Steenoven 21  
3911 TX Rhenen  
The Netherlands

|                          |                 |
|--------------------------|-----------------|
| Batch #                  | Appliance part# |
| 171244 and up            | 230688          |
| Description              |                 |
| Blender with noise cover |                 |

|          |                               |            |     |
|----------|-------------------------------|------------|-----|
| Date     | 17-02-2021                    | Revision # | 1,0 |
| Revision | First Bill of Materials (BOM) |            |     |

| Item | Description  | Part#  | Quantity | Remark  | Picture |
|------|--|--------|----------|---|---------|
| 1    | Transparant cap                                    | nss    | 1        | Available as 933787                             |         |
| 2    | Lid complete                                       | 933787 | 1        | Incl. item 1                                    |         |
| 3    | Back cover   | nss    | 1        | Available as 946091                             |         |
| 4a   | Blender Jar complete (Polycarbonate jug)           | 943489 | 1        | Incl item 1,2,6,20,and 21                       |         |
| 4b   | Blender Jar complete (BPA-free Tritan copolyester) | 933688 | 1        | Incl item 1,2,6,20,and 21                       |         |
| 5    | Gasket for back piece of noise cover               | 946107 | 1        | Also in assembly 946091                         |         |
| 6    | Cutting unit Ti coating                            | 946169 | 1        | Incl item 6;7;8;9;10;11;12;13;14;15;16;17;18;19 |         |
| 7    | Stainless steel washer                             | nss    | 1        | Available as 946169                             |         |
| 8    | Stainless steel washer                             | nss    | 1        | Available as 946169                             |         |
| 9    | Stainless steel blade leaf (cross type)            | nss    | 1        | Available as 946169                             |         |
| 10   | Stainless steel blade leaf (single type)           | nss    | 1        | Available as 946169                             |         |
| 11   | Gasket   | nss    | 1        | Available as 946169                             |         |
| 12   | Stainless steel bearing case                       | nss    | 1        | Available as 946169                             |         |
| 13   | Oil seal   | nss    | 1        | Available as 946169                             |         |
| 14   | Oil seal   | nss    | 1        | Available as 946169                             |         |
| 15   | Bearing  | nss    | 1        | Available as 946169                             |         |
| 16   | Bearing  | nss    | 1        | Available as 946169                             |         |
| 17   | Stainless steel shaft                              | nss    | 1        | Available as 946169                             |         |
| 18   | Aluminum wash                                      | nss    | 1        | Available as 946169                             |         |
| 19   | Stainless steel gear nut                           | nss    | 1        | Available as 946169                             |         |
| 20   | Sealing nut cutting unit                           | 933817 | 1        | Also in 943489 and 933688 assembly              |         |
| 21   | Retainer plate                                     | 933824 | 1        | Also in 943489 and 933688 assembly              |         |
| 22   | Screw M4x6   | nss    | 1        | Available as 933831                             |         |
| 23   | Clutch   | 933831 | 1        | Incl item 22                                    |         |
| 24   | Jug holder   | 946114 | 1        |   |         |
| 25   | Cover Motor  | n/a    | 1        |   |         |
| 26   | Sealing  | n/a    | 1        |   |         |
| 27   | Housing  | n/a    | 1        |   |         |
| 28   | Ejector pin microswitch                            | n/a    | 1        |   |         |
| 29   | Microswitch  | 207093 | 1        |   |         |
| 30   | Wiring microswitch                                 | n/a    | 2        |   |         |
| 31   | Mounting pin                                       | n/a    | 1        |   |         |
| 32   | Power cord   | 933923 | 1        |   |         |
| 33   | Grommet  | 946152 | 1        |   |         |
| 34   | Metal ring   | n/a    | 1        |   |         |
| 35   | PCB  | 933855 | 1        |   |         |
| 36   | Motor  | 933916 | 1        | Incl item 53                                    |         |
| 37   | Internal housing                                   | n/a    | 1        |   |         |
| 38   | Bottom cover                                       | n/a    | 1        |   |         |
| 39   | Antislip feet                                      | n/a    | 1        |   |         |
| 40   | Noise cover complete assembly                      | 946091 | 1        | Incl item 3;5;40;41 and 42                      |         |
| 41   | Magnet   | nss    | 1        | Available as 946091                             |         |
| 42   | Rubber sealing                                     | nss    | 1        | Available as 946091                             |         |
| 43   | Insert handle bar (left side)                      | n/a    | 1        |   |         |
| 44   | Insert handle bar (right side)                     | n/a    | 1        |   |         |
| 45   | Wiring On/Off switch                               | n/a    | 1        |   |         |
| 46   | On/Off switch                                      | 917060 | 1        |   |         |
| 47   | Wiring Pulse switch                                | n/a    | 1        |   |         |
| 48   | Pulse switch                                       | 917091 | 1        |   |         |
| 49   | Display  | n/a    | 1        |   |         |
| 50   | Knob potentiometer                                 | 933893 | 1        |   |         |
| 51   | Nut  | nss    | 1        |   |         |
| 52   | Potentiometer                                      | 933909 | 1        |   |         |
| 53   | Dampers  | nss    | 4        | Available as 933916                             |         |

|    |  |        |   |  |
|----|--|--------|---|--|
| 54 | Screw M4x25                                    | n/a    | 4 |  |
| 55 | Cable tie                                      | n/a    | 2 |  |
| 56 | Reed switch                                    | 946121 | 1 |  |
| 57 | Wiring reed switch                             | n/a    | 2 |  |
| 58 | Metal ring                                     | n/a    | 1 |  |
| 59 | Filter pcb                                     | 946175 | 1 |  |
| 60 | Screw 3x7                                      | n/a    | 7 |  |
| 61 | Noise-absorbing EPE(expandable polyethylene) 1 | n/a    | 3 |  |
| 62 | Noise-absorbing EPE(expandable polyethylene) 2 | n/a    | 2 |  |
| 63 | Screw 3.5x20                                   | n/a    | 4 |  |
|    |  |        |   |  |
|    |  |        |   |  |

n/a -> not available

nss -> not sold separately

Wiring diagram



Tools for Chefs

Hendi B.V.  
 Steenoven 21  
 3911 TX Rhenen  
 The Netherlands

Batch #

171244 and up

Appliance part#

230688

Description

Blender with noise cover

+7(812)987-08-81

|                 |                               |                   |     |
|-----------------|-------------------------------|-------------------|-----|
| <b>Date</b>     | 17-02-2021                    | <b>Revision #</b> | 1,0 |
| <b>Revision</b> | First Bill of Materials (BOM) |                   |     |

