

Spare parts catalogue

SF. 500 base unit

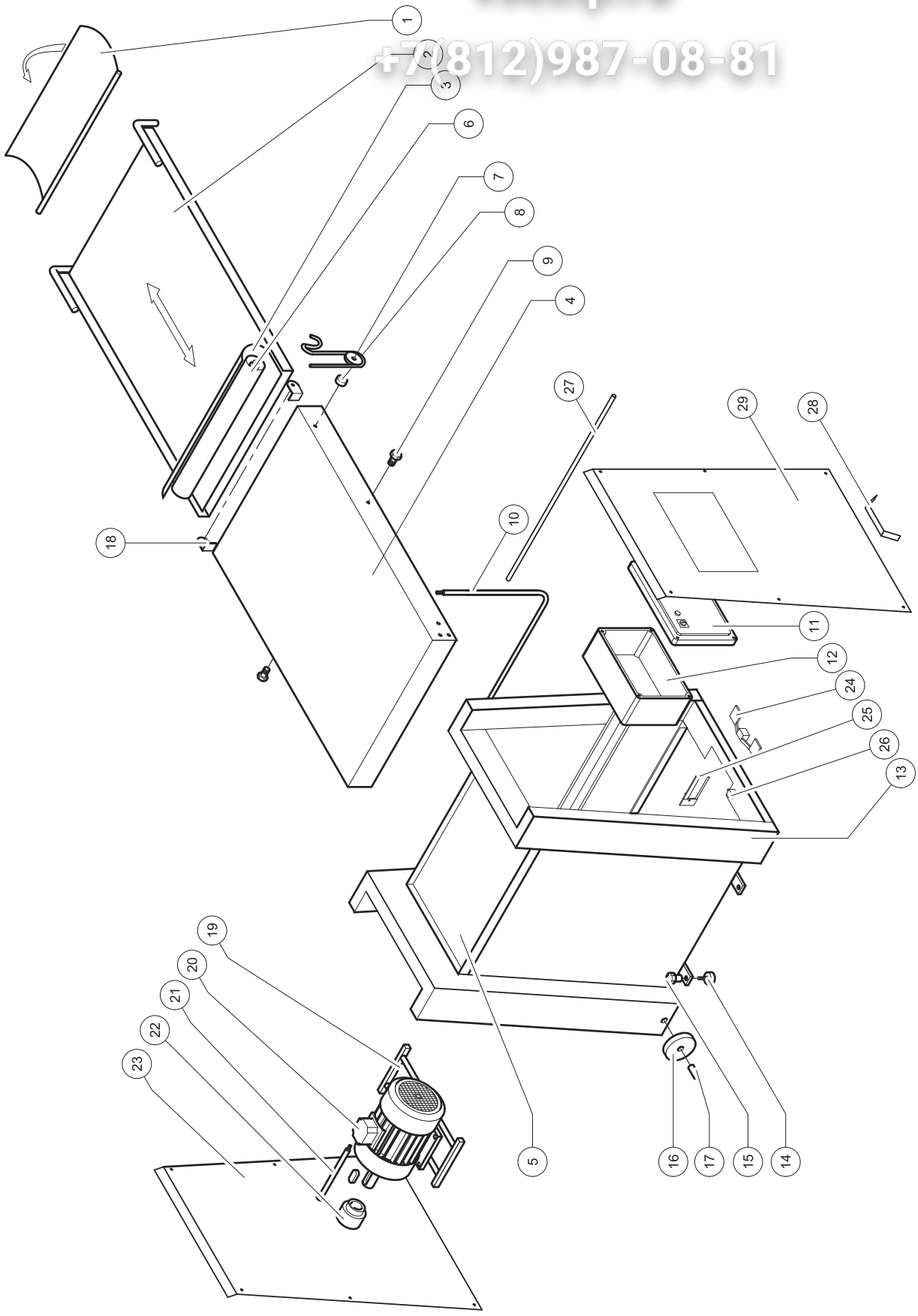
vsezip.ru

+7(812)987-08-81

Ref	Description
1	Extension for lower table
2	Lower table
3	Conveyor belt
4	Table
5	Waste drawer
6	Belt stretching cylinder
7	Fork for rolling pin
8	Spacer
9	Lower table locking handwheel
10	Table supports
11	Electric box cover
12	Electric box
13	Frame
14	Foot adjustment
15	Foot adjustment wheel
16	Wheel
17	Wheel spacer
18	Belt tension rod
19	Motor support
20	Electric motor
21	Motor fulcrum pin
22	Motor pulley
23	Side closing panel
24	Pedal
25	Pedal lever
26	Microswitch to invert pedal movement
27	Table fulcrum rod
28	Pedal control guard
29	Side closing panel

vsezip.ru

+7(812)987-08-81



SF. 500 head unit

vsezip.ru

Ref	Description
1	Right hand frame
2	Left hand frame
3	Right hand panel
4	Left hand panel
5	Flange
6	Bearing 6004 2RS
7	Seeger ring
8	Spacer
9	Freewheel Z=16 1/2" x 1/8"
10	Threaded pinion
11	Double screw
12	Double crown Z=16 1/2" x 1/8"
13	Washer
14	Spacer
15	Rubber gasket
16	Bushing for connecting rod
17	Lifting shaft
18	Cylinder movement lever
19	Grid rod
20	Bushing
20b	Eccentric bushing
21	Right hand connecting rod
22	Upper scraper shaft holder
23	Upper scraper
24	Lifting shaft protection
25	Spacer
26	Bowl support
27	Protection grid
28	Fixed cylinder
29	Lower scraper
30	Lower scraper tension spring
31	Scraper location sector
32	Spacer
33	Pinion Z=16 3/8"
34	V belt A58
35	Pulley

Ref	Description
35	Left connecting rod
37	
38	Lifting shaft
39	Connecting movement rod
40	Bushing for connecting rod
41	Spring
42	Seeger ring
43	Bearing 6005 2RS
44	Double crown Z=35
45	Chain tightener
46	Lifting shaft bushing
47	Spacer
48	Grid closing microswitch
49	Spring
50	Microswitch plate
51	Manual movement reverse microswitch
52	Limit switch lever
53	Handwheel
54	Toothed sector
55	Handle
56	Lever
57	Handle spring
58	Microswitch spacer
59	Manual movement reverse control rod
60	Manual control knob
61	R.H belt drive cylinder
62	L.H belt drive cylinder
63	Mobile cylinder
64	Idle pinion
65	Limit switch sector lever

vsezip.ru

+7(812)98708-81

