



Зип Общепи

vsezip.ru

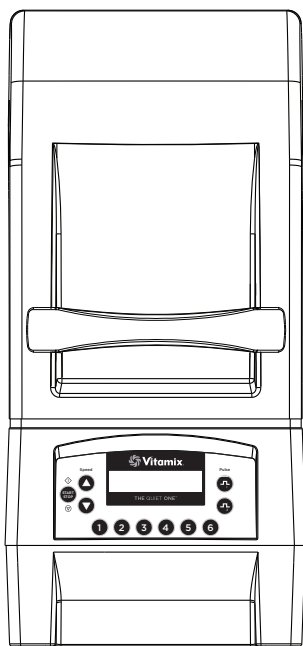
The Quiet One®

+7(812)987-08

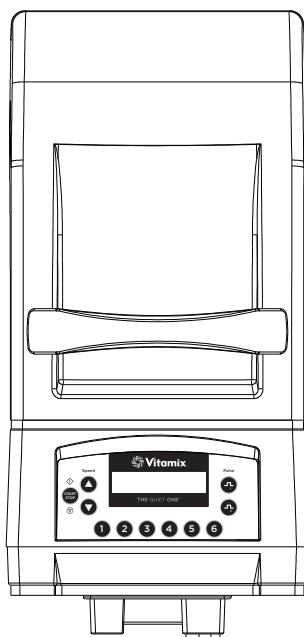
ALL MODELS

Use and Care Manual

Read and save these instructions



ON-COUNTER



IN-COUNTER

ENGLISH

ESPAÑOL

FRANÇAIS

Зип Общепи

vsezip.ru

+7(812)987-08

IMPORTANT SAFEGUARDS

Зип Общепит

vsezip.ru

+7(812)987-08

1. Read all instructions.
2. To protect against risk of electrical shock, do not put motor base in water or other liquid.
3. Close adult supervision is necessary when machine is used by or near children.
4. Unplug the power cord from the wall outlet when the Vitamix® machine is not in use, before disassembling, when putting on or taking off parts, and before cleaning, other than washing the container.
5. Never come in contact with moving parts, especially the blades.
6. Do not operate any machine that malfunctions, has a damaged cord or plug, has been dropped or is damaged in any manner. If you purchased your equipment in the U.S.A., call **Vitamix Technical Support, (800) 886.5235** for examination, repair, possible replacement, or electrical or mechanical adjustment. If you purchased outside of the U.S.A., please contact your local authorized Vitamix Distributor, or contact the Vitamix International Division at +1 (440) 782.2450 or email: international@vitamix.com for a distributor near you.
7. Do not use attachments not recommended or sold by Vitamix. Doing so will void the warranty. **Alteration or modification of this product in any form is not recommended as such may result in bodily injury.**
8. **Do not use outdoors.**
9. Do not let the power cord touch hot surfaces or hang over edge of table or counter.
10. Do not place the machine on or near a hot gas or electrical burner, in a heated oven, or allow machine to touch hot surfaces. External heat sources can damage the machine.
11. Keep hands and utensils out of container while motor is running to prevent the possibility of severe personal injury and/or damage to the Vitamix machine. A rubber spatula may be used, but only when the Vitamix machine is not running.
12. **WARNING: Blades are sharp. Handle carefully.**
 - Never try to remove the blades while container is sitting on the motor base.
 - Do not operate with loose, nicked or damaged blades – replace immediately.
 - To reduce the risk of personal injury, never place blade assembly on motor base without the Vitamix container properly attached.
13. The maximum capacity is equivalent to the ounces (liters) listed on the container, i.e., 48 oz. / 1,4 L, and is substantially less with thick mixtures.
14. **Always operate the Vitamix machine with the lid in place and securely attached.**
15. Display window area will scratch when contacted with a scouring pad or sharp object. Use a soft cloth to wipe the control panel area clean.
16. The machine cannot be cleaned with a water jet.
17. It is recommended that for a 120 V installation, you have at least one 20 amp outlet per machine, available within 6 ft. / 1,8 m of the Vitamix. 220 V and 100 V units require a dedicated line. **Consult an electrician for proper electrical needs.**
18. **CAUTION:** Turn power off or unplug the machine before touching movable parts. Shut off power switch at night or whenever machine will be left unattended.

Instructions for using the Pre-Set Program Buttons

The following is the basic settings of the six Pre-Set buttons for The Quiet One®. These programs, numbered 1 through 6, are blending cycles designed for the most commonly made drinks. Depending on the viscosity of the drink you are creating, selecting one of the Pre-Set programs will run the machine for a full cycle. The machine will stop by itself when the cycle is complete. A cycle varies in speed and length. Your machine's Pre-Set options may differ due to program revisions or due to the difference of recipes, your results may also vary.

BUTTON 1: General Purpose / Smoothie – blends smoothies and thin drinks consisting of juice and ice to a creamy consistency. (:18)

BUTTON 2: Double Smoothie – blends similar drinks to that of button 1 but at larger volumes. (:18)

BUTTON 3: Frozen Coffee and Juices – blends light coffee drinks to a creamy consistency. (:18)

BUTTON 4: Ice Cream Drinks – blends drinks containing hard ice cream to a thick shake consistency. (:28)

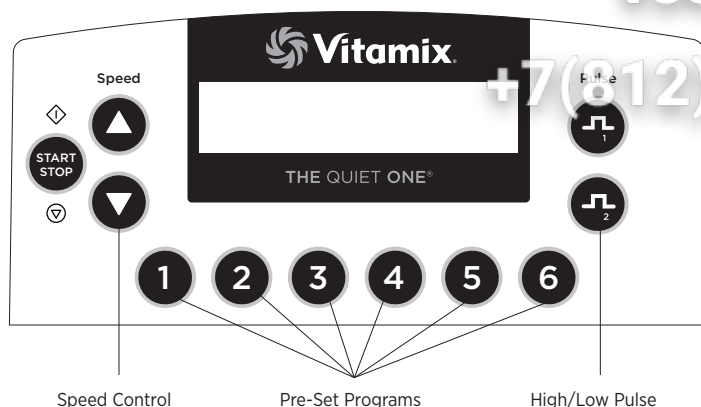
BUTTON 5: Double and hard-to-blend ice cream drinks. (:20)

BUTTON 6: Thick Hard-to-blend Smoothie – blends thick frozen fruit & hard ingredients for a thick but consistent smoothie. (:28)

Blending Tips

1. Place liquids and soft foods in the container first, solid items and ice last. Although not necessary for processing, you may want to cut or break food into smaller pieces for more precise measuring of ingredients. Thawed or partially thawed fruit is recommended.
2. As a general rule, compared to other blenders, you do not need as much ice to make an equally frozen drink in The Quiet One®. If your recipe freezes up, try reducing the amount of ice.
3. Set the container on the motor base by aligning it over the centering pad anchored to the base. **(Motor must be completely stopped before positioning container.)** Containers are not to be used for hard, dry materials. Avoid running your machine with the container empty.
4. Always use a lid that is securely attached when blending.
5. Plug the machine into the nearest outlet (if unplugged). Press the On/Off switch to on. Select desired programmed setting by pressing any of the Pre-Set buttons 1 through 6. The machine will immediately begin to cycle through the selected program and turn off when the program is complete. **(NOTE: Each button has a different pre-selected combination of speed and length for blending.)**

CONTROL PANEL



On/Off Power Switch: Located on the back of the motor base, the On/Off switch controls the power to the machine. While plugged in, switch to on to ready the machine for blending. Shut off the power switch at night or whenever the machine will be left unattended.

Start/Stop Button: Pressing Start (◇)/Stop (▽) once starts and runs the machine and turns the blade. Press Start/Stop button again to stop the machine and the blade.

Speed Buttons: Press the ▲ button to gradually increase the speed of the blade in increments of 1%, up to 100%. Press the ▼ button to gradually decrease the speed of the blade in increments of 1%, down to 7%. Speed is used to set the blending speed of the Pulse buttons (see Instructions, page 9) and the Start/Stop button.

Pre-Set Program Buttons: These buttons, numbered 1 through 6, are pre-programmed blending cycles designed for the most commonly made drinks. Depending on the viscosity of the drink you are creating, pressing one of the six Pre-Set program buttons will run the machine for a full cycle. The machine will stop by itself when the cycle is complete. A cycle varies in speed and length; see the Instructions on page 6 for a complete description of the range of each Pre-Set button. Each button can be reprogrammed to any recipe through custom programming or by reprogramming to any of the 34 available recipes. See page 10 for instructions on creating custom programming. Due to difference of recipes, your results may vary.

IMPORTANT NOTES!

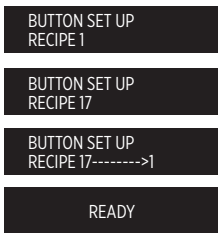
Start/Stop Button: Pressing one of the Pre-Set program buttons, while the motor is running, will stop the machine.

Speed Button: These settings will reset if the power is shut off.

The Quiet One® is pre-programmed with an Advance® program which is optimized for the Advance® container. The program can be customized by using the control panel, or a programming chip or programmer software kit available from Vitamix®. Call your distributor or customer service for more information.

Programming Pre-Set Buttons

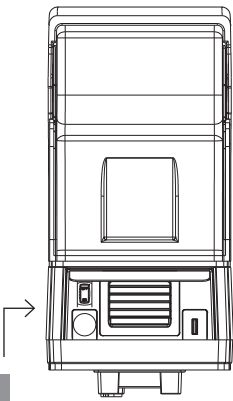
1. Access the 34 stored programs by activating the power switch located on the back of the motor base while depressing the High Pulse button. The display will say "BUTTON SET UP"
2. Press the Speed ▲ or ▼ buttons to scroll through the "Recipe" numbers until you reach the one you want. (For a description of each recipe, see page 12.)
3. Press the Pre-Set button that you want to program for the recipe selected.



For Example: If you wanted to program button 1 with recipe #17:

1. After accessing the stored programs as described in step 1, the display window will say "BUTTON SETUP."
2. Press the Speed ▲ button until the screen displays "Recipe 17."
3. Press the 1 button to apply Recipe 17.
4. Either continue programming the other five buttons or press the High Pulse button to exit and continue blending.

Programming your Machine with a Custom Chip



Custom Programmed Chip

1. Turn on the machine.
2. Remove the container and rotate the machine to the rear so that you can see the programming port.
3. With the rear of the machine facing towards you, insert the custom programmed chip (with the words, "THIS SIDE FACING TO THE FRONT OF THE MACHINE" toward the left) into the port located on the right hand side of the machine opposite the On/Off switch. Push gently until chip engages into the port. The display window will read "NEW MODULE."
4. Within 10 seconds, the six Pre-Set buttons will be re-programmed and the display window will read "Saved" then "Ready."
5. Remove the programming chip, return it to the original package and store in a safe, easily accessible spot.
6. Press one of the six Pre-Set buttons to reveal, in the display window, the name of the program/drink.

Recipe Options Arranged by recipe number (#) and drink type:

+7(812)987-08

#	DRINK TYPE	DESCRIPTION	RUN TIME
1	General Purpose/ Smoothie	Ramps up to 60% for 18 seconds	:18
2	Double Smoothie	Ramps up to MED (45%) for 6 seconds, then (58%) for 8 seconds, then HIGH (85%) for 4 seconds	:18
3	Frozen Coffee & Juices	Ramps up to LOW (25%) for 4 seconds then to MED (60%) for 14 seconds	:18
4	Ice Cream Drinks	Ramps up to MED (55%) for 5 seconds, then LOW (25%) for 7 seconds, then (12%) for 16 seconds	:28
5	Double & Hard to Blend Ice Cream Drinks	Ramps up to MED (51%) for 10 seconds, then ramps up to HIGH (85%) for 10 seconds	:20
6	Thick Hard-To-Blend	Ramps up to LOW (15%) for 7 seconds, then gradually ramps up to HIGH (82%) for 21 seconds	:28
7	Medium Smoothie	Gradually ramps up to HIGH (100%)	:20
8	Hard to Blend Smoothie	Gradually ramps up to HIGH (100%)	:25
9	Thick Smoothie	Ramps up to MED (50%) for 15 seconds, then ramps up to HIGH (100%) for 20 seconds	:35
10	Mix, Light Juice	Runs on LOW (10%)	:04
11	Heavy Smoothie	Runs at MED-HIGH (75%), ramps up, back down, then up to HIGH (100%)	:40
12	Hard to Blend Smoothie	Runs on LOW (7%) for 25 seconds, quickly ramps up to HIGH (100%), then decreases to LOW (7%), and quickly back to HIGH (100%)	:40
13	Regular Iced Coffee	Quickly ramps up to HIGH (100%)	:09
14	Double Iced Coffee	Quickly ramps up to HIGH (100%)	:13
15	Thick Coffee	Ramps up to MED (55%), gradually decreases to LOW (7%), then quickly up to HIGH (100%)	:30
16	Multiple Coffees	Ramps up to LOW (25%), gradually ramps up to MED (50%), then up to HIGH (100%)	:25

Compact Cover

Cover Door:

1. The cover door can be removed by opening it until the door is horizontal. Then, gently spread the sides of the door over the round hinges and remove.
2. To reinstall the cover door, gently spread the sides of the door and place the door hinge cutouts over the round hinges.

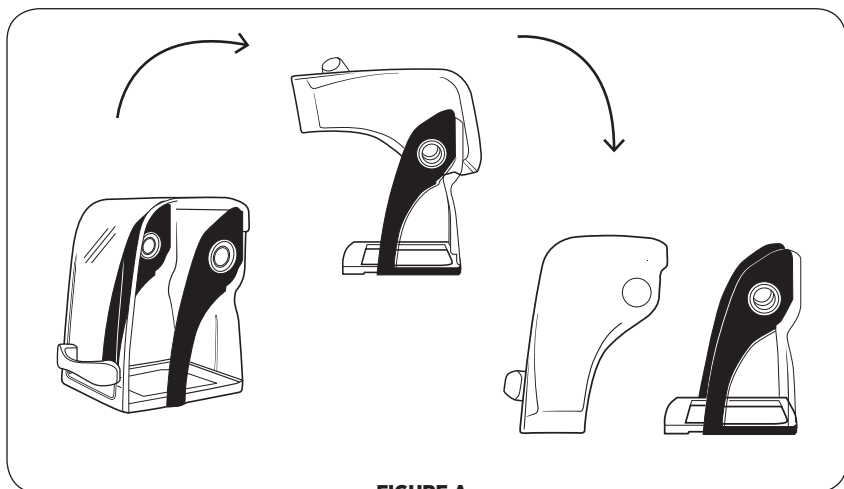


FIGURE A

IMPORTANT NOTES!

Containers:

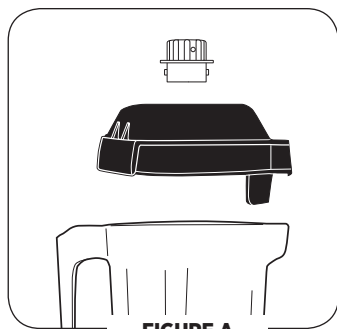
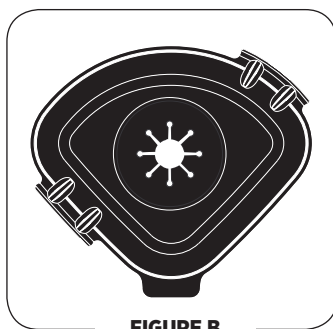
- The Quiet One® machines are optimized for use with the Vitamix® 48 oz. / 1,4 L Advance® container (3 sided container). The 64 oz. / 2,0 L standard container will not fit in the compact cover used on the The Quiet One®. Contact Vitamix customer service at (800) 886.5235 or contact your distributor for more information.
- Outside the United States and Canada, your machine may come with a different container configuration.

Two-Piece Lid (Figure A)**48 oz. / 1,4 L Advance® Container****The two-piece lid is easy to clean and easy to put on, take off and seal.**

- To remove a fully latched lid, lift the two tabs and pull upward and off.
- Twist the center lid plug to fasten or remove.

One-Piece Lid (Figure B)**48 oz. / 1,4 L Advance® Container****The one-piece lid is easy to clean and easy to put on, take off and seal.**

- There is no lid plug for this lid.
- Ingredients can be added through port on top.

**FIGURE A****FIGURE B**

To secure lid plug, rotate it so one tab locks between the notches on top of rubber lid

In-Counter Machine

Preparing the counter Area:

- Before cutting holes, make sure that there is adequate clearance under the counter for the motor. The motor will extend about 3.0 in. / 7,6 cm below the counter, but it is best to allow at least 10.0 in. / 25,4 cm from the under-counter to shelves or any other equipment under the counter. Also, when using the removable cover design, the back of the hole must be at least 4.3 in. / 10,8 cm from any wall to allow for cover door clearance.
- An extra 4.0 in. / 10,2 cm of open space above the top of the cover will be needed for placement and removal of the In-Counter machine.
- If installing unit into a cabinet with doors, including cabinets with a curtain or extended skirt, a 4.0 in. / 10,2 cm diameter flexible duct (dryer hose) must be used to vent exhaust. Attach the duct to the bottom exhaust by forcing the end of the hose over the exhaust baffle of the unit. Run the duct out of the cabinet for proper ventilation. Multiple units should not vent to a common manifold unit but to separate places with separate vent ducts.
- When cutting holes for placement of multiple In-Counter units, position the edge of the machines at least 12.0 in. / 30,5 cm apart to ensure quick cleaning and proper venting between machines.
- It is recommended that for a 120 V unit In-Counter installation, you have at least one 20 amp outlet per machine under the counter, available within 6 ft. / 1,8 m of the machine. 220 V and 100 V units require a dedicated line. Consult an electrician for proper electrical needs.
- The In-Counter unit also requires a gasket (provided in the machine's original package) to be placed between the machine and the counter.
- Refer to The Quiet One® In-Counter template (provided in the machine's original package) for detailed installation guidelines and a template.



WARNINGS!

Do not vent hose into a wall, ceiling or a concealed space of a building or cabinet.

Do not use hose clamps or equivalent to attach exhaust hose on machine.

When removing blender from the counter, always remove the container, cover door and back cover from the machine first. Do not strike the blender when removing from the counter. Do not use the In-Counter gasket on a wooden counter. Discoloration of the counter will occur.

IMPORTANT NOTES!

Do not use the In-Counter on wooden counter tops. The gasket located between the machine and the counter will leave permanent black marks on wood. The area below the counter must have adequate ventilation to provide air circulation around each motor. This will prolong the life of your machine. If storing powders, mixes, sugars, etc., around the machine, make sure containers are tightly sealed. The intake and exhaust air caused by running the machine will disperse any loose products.

Suppliers in U.S.A.

Cleaning Products

Solid Supra, Solid Power, _____
 Guardian Acclaim, Solid Guardian Plus,
 Solid Super Impact, Solid Insure

Ecolab, Inc., St. Paul, MN
 800-352-5325
 www.ecolab.com

Diverpak _____
 Eclipse H2, Liqui-Safe L7
 Acclean
 Poly-Brite

Diversey, Livonia, MI
 800-521-8140

Glow MB-1 _____
 Lustre NC-25
 Lustre Plus

Wesmar Company, Inc.
 Seattle, WA 206-783-5344
 www.wesmar.com

PSRA 41-D, PSRA 41-E _____
 Liqui-Ware 1, Liqui-Ware MC
 D-Flex, Sur-Met

Anderson Chemical Co.
 Litchfield, MN
 800-366-2477
 www.andersonchemical.com

Rinse Aids

Solid Rinse Dry, Solid Brilliance, _____
 Jet Dry, Rinse Dry

Ecolab, Inc., St. Paul, MN
 800-352-5326
 www.ecolab.com

Destainer

NuWare _____

Diversey, Livonia, MI
 800-521-8140

IMPORTANT NOTES!

Cleaning Products: Do not use abrasive cleaning agents or concentrated bleach when cleaning. Do not use any cleaners containing quantity sanitizers on polycarbonate components (i.e., Advance® containers, covers). Do not use any of the following cleaning products: automatic dishwashing detergents, oven cleaners, steel wool or other abrasive pads.

Cover: Do not wash cover door, handle or back cover in dishwasher. It is recommended that the handle not be disassembled during cleaning. However, if you choose to disassemble the handle from the cover, make sure to not over-tighten it when reattaching it to the cover. Doing so will cause damage.

Container: Do not let mixtures, liquids or food products dry in the container. Rinse after use. Dry product may lock around the blade and weaken/tear the bearings seal when restarted. Do not place containers in the freezer. Extremely low temperature combined with hot ingredients and/or the immediate rapid action of the blade may crack the container. Microwaving and automatic dishwashing are not recommended.

Problems:	Possible Actions:
<ul style="list-style-type: none"> • Loud noise from blender container blade area • Container blades do not spin • Increased vibration • Leaking from bottom of container 	<ul style="list-style-type: none"> a. Broken or worn drive socket. Replace (Item #891). Instructions are included with part. b. Check blade assembly for loose, damaged or nicked components and replace. c. Tighten retainer nut with the retainer nut wrench moving clockwise until it is snug. (See page 17.)
<ul style="list-style-type: none"> • Loud grinding noise from the blender motor 	<p>Damaged motor bearings, your machine may need to be repaired.</p>
<ul style="list-style-type: none"> • Machine will not run • Display window does not say "Ready" 	<ul style="list-style-type: none"> a. Double-check to make sure power cord is firmly in power outlet. b. Check to make sure the On/Off power switch is in the on position. c. Turn the On/Off power switch to off, then on, to reboot the electronics.
<ul style="list-style-type: none"> • Machine starts then shuts off 	<p>Make sure there is power to the machine.</p>
<ul style="list-style-type: none"> • Display window reads "SHUT DOWN SEE MANUAL" 	<p>Let the machine cool for an hour, restart.</p>
<ul style="list-style-type: none"> • Display window reads "MOTOR LOCKED PROGRAM TERMINATED" 	<p>Let the machine cool for an hour, restart.</p>
<ul style="list-style-type: none"> • Machine is running irregularly • "NO PROGRAM" is displayed when a button is pushed • Button pressed starts wrong program • Machine starts by itself • A specific program button is defective • Machine does not work when first tried • Machine works but no information displayed on screen • Program buttons run the blender on the same speed 	<ul style="list-style-type: none"> a. Turn the machine off and on again to reset the programming. b. Try plugging the machine into a new outlet.

MAINTAINING YOUR VITAMIX BLENDER

In order to maximize the life of and keep your Vitamix® product in good working order, it is important that you follow a few simple maintenance tips:

1. Periodically inspect the drive socket for visible wear and tear, cracks, or breaks to the socket. If damage is found, replace the drive socket with the extra drive socket enclosed with your blender. To purchase additional replacement drive sockets, contact Vita-Mix® Corporation (hereinafter "Vitamix") at (800) 866.5235 for a dealer near you. For customers outside the U.S.A., contact your authorized Vitamix Distributor, or call the Vitamix International Division at +1 (440) 782.2450 or email international@vitamix.com for a distributor near you.
2. Manually rotate the blade bearing assembly to make sure it turns without hesitation or doesn't spin too freely. If the blade hesitates or spins too freely, contact Vitamix for warranty information or a dealer near you.
3. Never run the machine without the centering pad properly placed on the base and never remove the container from the base before blending is complete and blades have stopped moving.

LIMITED WARRANTY *(Unless otherwise covered by Contract)*

Vita-Mix® Corporation (hereinafter "Vitamix") warrants to the original end-user ("Purchaser") that its commercial Vitamix blenders (consisting of a motor base, container and lid, hereinafter collectively referred to as the "Equipment") will be free from defects in material and workmanship for the warranty periods applicable to the Equipment as described herein and subject to the conditions set forth below. Proof of purchase is required.

The following are the sole remedies of the Purchaser and set forth the only warranty obligations of Vitamix.

No employee of Vitamix or any other person is authorized to make any warranty in addition to or amendment of the following warranties.

WHAT IS COVERED UNDER THE WARRANTY

A. Motor Base Warranty (which includes the control board and touch pad):

Vitamix warrants to the original end-user that:

- If the motor base fails due to defects in material or workmanship within thirty (30) days from the date of purchase, then Vitamix will replace the motor base with a new motor base.
- If the motor base fails due to defects in material or workmanship after thirty (30) days from the date of purchase but within one (1) year from the date of purchase, then Vitamix will assume the cost of all parts and labor necessary to repair the motor base.
- If the motor base fails due to defects in material or workmanship after the first year but within three (3) years from the date of purchase, then Vitamix will assume the cost of all parts necessary to repair the motor base.

WHAT CAUSES THE WARRANTY TO BE VOID

All product warranties are void if:

- The blender is placed in a sound enclosure not manufactured by Vitamix.
- Any component of a covered piece of Equipment or part has been modified, altered, “reconditioned” or repaired by persons someone other than Vitamix, an authorized Vitamix Service Center or an authorized Vitamix Distributor.
- Any covered Vitamix component is used with a component not expressly authorized in writing by Vitamix (i.e. using a Vitamix container with a non-Vitamix motor base and/or using a Vitamix motor base with a non-Vitamix container); or
- Any part of the blender is improperly installed, including but not limited to poor workmanship, not following specifications provided and/or inadequate ventilation of the “In-Counter” models.

HOW TO OBTAIN WARRANTY COVERAGE AND REPAIR

Who to Contact For Warranty Service and Repair: In the event your Vitamix blender needs service or repair covered by the terms of this warranty, please call Vita-Mix Corporation, an authorized service center or a local distributor for warranty assistance.

• **For Equipment purchased and located in the U.S.A.:**

Call Vitamix Technical Support: (800) 886.5235.

• **For Equipment purchased outside the continental U.S.A.:**

Contact your authorized Vitamix Distributor or the Vitamix International Division at +1 (440) 782.2450 or email international@vitamix.com for a distributor near you.

You will be asked to provide proof of purchase for the Equipment. If the remote technical support team cannot fix the Equipment remotely, the Equipment will need to be serviced. The team will help you either locate an authorized service center or arrange for the Equipment to be shipped back to Vitamix.

HOW TO SHIP THE EQUIPMENT TO VITAMIX FOR SERVICE

A. Obtain a Return Authorization Number Before Shipment. Do not return or send in Equipment without the approval from Vitamix. Under no circumstances will Vitamix be responsible for the cost of any unauthorized repairs. All Equipment returns must have the Return Authorization Number (“RA”) clearly marked on the outside of the box. Any Equipment that is sent to Vitamix without prior authorization or approval will be returned to the shipper’s address “as is” without repair.

B. Properly Package The Returned Item. Any item sent to Vitamix must be sent in original or sufficient packaging.

The Quiet One®

- #15092** Splash lid for 48 oz. / 1,4 L Advance® container
- #15986** Lid only (no plug) for 48 oz. / 1,4 L Advance® container
- #15985** Two-part lid assembly for 48 oz. / 1,4 L Advance® container
- #15978** 48 oz. / 1,4 L Advance® container, blade assembly & lid assembly
- #15980** 48 oz. / 1,4 L Advance® container only
- #15979** 48 oz. / 1,4 L Advance® container, blade assembly, no lid assembly
- #15990** Advance® blade agitator assembly
- #15585** Retainer nut
- #891** Drive socket
- #15579** Sound-reducing centering pad
- #15080** Compact back cover and cover door with removable hinge design
- #15081** Compact cover door
- #15082** Compact back cover
- #15107** Isolation Gasket
- #15083** In-Counter gasket

IMPORTANT NOTES!

- Outside the U.S.A. and Canada, your machine may come with a different container configuration. Contact your local Vitamix Distributor for item numbers.
- Other than the drive socket, blade assembly and retainer nut, this unit is not user serviceable.

The Quiet One®**Electrical Requirements:**

- 120 V, 50/60 Hz, 15 amps
- Uses a U.S.A. three-prong grounded cord.
- 20 amp outlet per machine is recommended.

Do not use extension cords with machine.

- 220 – 240 V, 50/60 Hz, 1300 – 1550 Watts
- 100 V (Japan), 50/60 Hz, 1000 Watts

On-Counter Dimensions:

- 18.0 in. / 45,7 cm high with lid closed
- 24.5 in. / 62,2 cm high with lid open
- Depth: 10.7 in. / 27,2 cm with handle
- Width: 8.5 in. / 21,6 cm

In-Counter Dimensions:

- 16.5 in. / 41,9 cm high with lid closed
- 23.0 in. / 58,4 cm high with lid open
- Depth: 10.7 in. / 27,2 cm with handle
- Width: 8.5 in. / 21,6 cm
- Depth below counter: 1.2 in. / 3,0 cm

When applicable:



To see the complete line of Vitamix® products,
visit **vitamix.com**

**Vita-Mix® Corporation
Commercial Division**

8615 Usher Road, Cleveland, Ohio 44138 U.S.A.

Phone: +1 (440) 235.0214 Email: commercial@vitamix.com

©2012 Vita-Mix Corporation. No part of this publication may be reproduced or transmitted in any form or by any means or stored in a database or retrieval system without the written permission of the Vita-Mix Corporation.

Printed in the U.S.A. 102865 12/12

Зип Общепи

vsezip.ru

+7(812)987-08

PRECAUCIONES IMPORTANTES

3ип Общеип

vsezip.ru

7(812)987-0

1. Lea todas las instrucciones.
2. Para protegerse contra las descargas eléctricas, no coloque la base de motor en agua ni en ningún otro líquido.
3. Si la máquina es utilizada por niños, o se usa cerca de ellos, es necesaria la supervisión por parte de un adulto.
4. Desenchufe el cable eléctrico del tomacorriente mural cuando no utilice la máquina Vitamix®, antes de desmontarla, al colocarle o extraerle piezas y antes de limpiarla, a menos que desee lavar sólo el vaso.
5. Jamás toque ninguna pieza móvil, especialmente las cuchillas.
6. No haga funcionar ninguna máquina que esté defectuosa, que tenga el cable o el enchufe averiados, que se haya caído o dañado de algún modo. Si adquirió su equipo en los EE.UU., llame al **Servicio Técnico de Vitamix al (800) 886.5235** para la revisión, reparación, el posible reemplazo o el ajuste mecánico o eléctrico de la máquina. Si lo adquirió fuera de los EE.UU., comuníquese con el Distribuidor autorizado de Vitamix o con la División Internacional de Vitamix llamando al +1 (440) 782.2450 o enviando un correo electrónico a: international@vitamix.com para encontrar un distribuidor en su país.
7. No use accesorios no recomendados ni vendidos por Vitamix, ya que anulará la garantía. **No se recomienda alterar ni modificar este producto en modo alguno, ya que ello puede causar lesiones.**
8. **No utilice el producto a la intemperie.**
9. No deje que el cable eléctrico toque superficies calientes ni cuelgue sobre el borde de la mesa ni del mostrador.
10. No coloque la máquina sobre ni cerca de quemadores calientes eléctricos o a gas, dentro de un horno calentado ni deje que entre en contacto con superficies calientes. Las fuentes de calor externas pueden dañar la máquina.
11. Mantenga las manos y los utensilios fuera del vaso cuando el motor esté funcionando para evitar posibles lesiones graves y/o daños a la máquina Vitamix. Se puede usar una espátula de goma, pero sólo cuando la máquina no esté funcionando.
12. **ADVERTENCIA: Las cuchillas son filosas. Manipúlelas con cuidado.**
 - Nunca intente quitar las cuchillas si el vaso está puesto en la base de motor.
 - No haga funcionar la máquina con cuchillas sueltas, melladas o dañadas; reemplácelas de inmediato.
 - Para reducir el riesgo de lesiones, nunca coloque el conjunto de cuchillas en la base de motor si el vaso Vitamix no está correctamente instalado.
13. La capacidad máxima equivale a la cantidad de onzas (litros) que aparece en el vaso—por ejemplo, 48 oz. / 1,4 L, y es considerablemente menor con mezclas espesas.
14. **Siempre haga funcionar la máquina Vitamix con la tapa firmemente puesta.**
15. El área de la ventana del visor se rayará si entra en contacto con una esponja u objeto filoso. Utilice un paño suave para limpiar el área del panel de control.
16. No se puede lavar la máquina con un chorro de agua a presión.
17. Para una instalación de 120 V, se recomienda contar con un tomacorriente de 20 amperios como mínimo por máquina, situado a 6 pies / 1,8 m de distancia de la unidad Vitamix. Las unidades de 220 y 100 V requieren una línea dedicada. **Consulte a un electricista los requisitos eléctricos correctos.**
18. **PRECAUCIÓN:** Apague el suministro eléctrico o desenchufe la máquina antes de tocar las piezas móviles.

Instrucciones para usar los botones de programas preestablecidos

A continuación aparecen los ajustes básicos de los seis botones preestablecidos para la licuadora The Quiet One®. Estos programas, numerados del 1 al 6, son ciclos de licuado diseñados para las bebidas que se preparan con mayor frecuencia. Según la viscosidad de la bebida que desee preparar, al seleccionarse uno de los programas preestablecidos la máquina funcionará durante un ciclo completo. Se detendrá automáticamente al finalizar el ciclo. La duración y la velocidad de los ciclos varían. Las opciones preestablecidas de la máquina pueden diferir debido a las modificaciones del programa o debido a las diferencias en las recetas, también pueden variar los resultados.

BOTÓN 1: Uso general/batidos – licúa batidos y bebidas livianas hechos con jugo y hielo hasta obtener una consistencia cremosa. (:18)

BOTÓN 2: Batido doble – licúa bebidas similares a las obtenidas con el botón 1 pero en volúmenes más grandes. (:18)

BOTÓN 3: Café y jugos helados – licúa bebidas de café liviano hasta obtener una consistencia cremosa. (:18)

BOTÓN 4: Bebidas de helado – licúa bebidas que contienen helado duro hasta obtener una consistencia batida espesa. (:28)

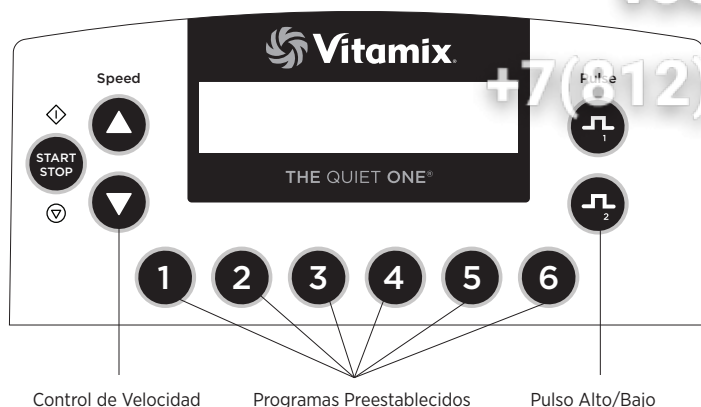
BOTÓN 5: Bebidas de helado doble y difíciles de licuar. (:20)

BOTÓN 6: Batido espeso difícil de licuar – licúa fruta congelada gruesa e ingredientes duros para obtener un batido espeso pero consistente. (:28)

Consejos para licuar

1. Primero coloque los líquidos y alimentos blandos en el vaso, los ingredientes duros y el hielo se deben introducir al final. Si bien no es necesario para el procesamiento, se recomienda cortar los alimentos en trozos más pequeños para medir los ingredientes en forma más precisa. Se recomienda descongelar parcial o totalmente las frutas.
2. Como regla general, en comparación con otras licuadoras, la máquina The Quiet One® no necesita tanto hielo para hacer bebidas congeladas. Si los ingredientes se congelan, trate de reducir la cantidad de hielo.
3. Coloque el vaso en la base de motor, alineándolo sobre la almohadilla centrante que está sujeta a la base. **(El motor debe estar completamente detenido antes de colocar el vaso).** No se deben usar los vasos con materiales sólidos ni secos. Evite hacer funcionar la máquina con el vaso vacío.
4. Al licuar siempre use una tapa que quede firmemente colocada.
5. Enchufe la máquina al tomacorriente más cercano (si está desenchufada). Coloque el interruptor On/Off (Encendido/Apagado) en la posición de encendido. Seleccione el ajuste programado que desee oprimiendo cualquiera de los botones preestablecidos, numerados del 1 al 6. La máquina comenzará inmediatamente el ciclo siguiendo el programa seleccionado y se apagará cuando este finalice. **(NOTA: Cada botón tiene una combinación de velocidad y duración diferente preseleccionada para el licuado).**
6. Una vez que se haya oprimido uno de los seis botones de programas preestablecidos, la máquina arrancará y se detendrá automáticamente. Si se oprime otro botón preestablecido, la máquina interrumpirá el ciclo de licuado.

PANEL DE CONTROL



Interruptor On/Off (Encendido/Apagado): Se encuentra en la parte posterior de la base de motor y controla el suministro eléctrico de la máquina. Cuando la unidad esté enchufada, ENCIENDA el interruptor a fin de preparar la máquina para licuar. Apáguelo durante la noche o siempre que la máquina quede sin supervisión.

Botón Start ◊/Stop ▽ (Arranque/Parada): Si se oprime este botón una vez, la máquina se enciende, se pone a funcionar y las cuchillas giran. Oprímalo nuevamente para detener la máquina y las cuchillas.

Botones de velocidad: Oprima el botón ▲ para aumentar gradualmente la velocidad en incrementos del 1 hasta el 100%. Oprima el botón ▼ para disminuir gradualmente la velocidad de las cuchillas en incrementos del 1% hasta el 7%. La velocidad se utiliza para fijar la rapidez de licuado de los botones Pulse (Pulso) (consulte las instrucciones en la página 39) y Start/Stop (Arranque/Parada).

Botones de programas preestablecidos: Estos botones, numerados del 1 al 6, son ciclos de licuado preprogramados para las bebidas que se preparan con mayor frecuencia. Según la viscosidad de la bebida que desee preparar, al oprimirse uno de los botones de programas preestablecidos la máquina funcionará durante un ciclo completo. Se detendrá automáticamente al finalizar el ciclo. La duración y la velocidad de los ciclos varían; consulte las instrucciones en la página 36 para obtener una descripción completa del margen de cada botón preestablecido. Mediante la programación personalizada cada botón puede reprogramarse para cualquier receta, o bien reprogramarse para cualquiera de las 34 recetas disponibles. En la página 40 encontrará las instrucciones para crear una programación personalizada. Debido a las diferencias en las recetas, pueden variar los resultados.

¡NOTAS IMPORTANTES!

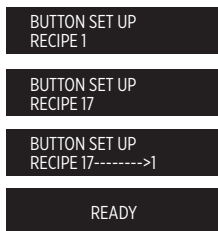
Botón Start/Stop (Arranque/Parada): Si oprime uno de los botones de programas preestablecidos mientras el motor está funcionando, la máquina se detendrá.

Botón Speed (Velocidad): Estos ajustes se reiniciarán si se apaga el suministro eléctrico.

La máquina The Quiet One® viene de fábrica con el programa Advance® optimizado para el vaso Advance®. El programa se puede personalizar usando el panel de control o un chip de programación o el kit de software programador ofrecido por Vitamix®. Llame a su distribuidor o al Servicio de Atención al Cliente para obtener más información.

Programación de los botones preestablecidos

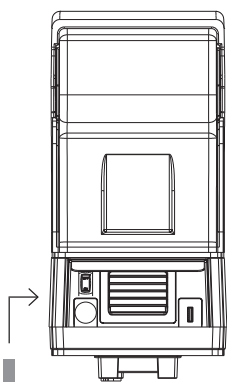
1. Acceda a los 34 programas almacenados activando el interruptor de suministro situado en la parte posterior de la base de motor mientras oprime el botón de pulso para velocidad alta. En el visor aparecerá "BUTTON SET UP" (CONFIGURAR BOTÓN)
2. Oprima los botones de velocidad ▲ o ▼ para desplazarse por los números de recetas hasta llegar a la que desea. (En la página 42 encontrará una descripción de cada receta.)
3. Oprima el botón preestablecido que desee programar para la receta seleccionada.



Por ejemplo: Si quisiera programar el botón 1 con la receta 17:

1. Después de acceder a los programas almacenados descritos en el paso 1, en la ventana del visor aparecerá "BUTTON SETUP" (CONFIGURAR BOTÓN).
2. Oprima el botón de velocidad ▲ hasta que la pantalla muestre "Recipe 17" (Receta 17).
3. Oprima el botón 1 para aplicar la receta 17.
4. Continúe programando del mismo modo los cinco botones restantes oprima el botón de pulso para velocidad alta a fin de salir y continuar licuando.

Programación de la máquina con un chip personalizado



Chip de programación personalizado

1. Encienda la máquina.
2. Retire el vaso y gire la máquina hacia la parte trasera para que pueda ver el puerto de programación.
3. Mirando la parte trasera de la máquina, introduzca el chip de programación personalizado (con la frase "THIS SIDE FACING TO THE FRONT OF THE MACHINE" (ESTE LADO DEBE MIRAR HACIA LA PARTE DELANTERA DE LA MÁQUINA) en el puerto situado en el costado derecho de la máquina opuesto al interruptor On/Off (Encendido/Apagado). Empújelo suavemente hasta que el chip encaje en el puerto. En el visor aparecerá el mensaje "New Module" (Módulo Nuevo).
4. En 10 segundos, los seis botones preestablecidos se reprogramarán y en el visor aparecerá el mensaje "Saved" (Guardado) y a continuación, "Ready" (Listo).
5. Retire el chip de programación, colóquelo nuevamente en su envase original y guárdelo en un lugar seguro y de fácil acceso.
6. Oprima uno de los seis botones preestablecidos para ver en el visor el nombre del programa o la bebida.

Opciones de Recetas: Dispuestas por número de receta (Núm.) y tipo de bebida:

+7(812)987-08

NÚM.	TIPO DE BEBIDA	DESCRIPCIÓN	TIEMPO DE MARCHA
1	General Purpose/ Smoothie (Uso general/ batidos)	Aumenta al 60% durante 18 segundos	:18
2	Double Smoothie (Batido doble)	Aumenta a velocidad MEDIA (45%) durante 6 segundos, luego al (58%) durante 8 segundos y finalmente a ALTA (85%) durante 4 segundos	:18
3	Frozen Coffee & Juices (Café y jugos helados)	Aumenta a velocidad BAJA (25%) durante 4 segundos luego a MEDIA (60%) durante 14 segundos	:18
4	Ice Cream Drinks (Bebidas de helado)	Aumenta a velocidad MEDIA (55%) durante 5 segundos, luego disminuye a BAJA (25%) durante 7 segundos y finalmente al (12%) durante 16 segundos	:28
5	Double & Hard to Blend Ice Cream Drinks (Bebidas de helado doble y difíciles de licuar)	Aumenta a velocidad MEDIA (51%) durante 10 segundos, luego a ALTA (85%) durante 10 segundos	:20
6	Thick Hard-To-Blend (Batido espeso difícil de licuar)	Aumenta a velocidad BAJA (15%) durante 7 segundos, luego sube gradualmente a ALTA (82%) durante 21 segundos	:28
7	Medium Smoothie (Batido mediano)	Aumenta gradualmente a velocidad ALTA (100%)	:20
8	Hard to Blend Smoothie (Batido difícil de licuar)	Aumenta gradualmente a velocidad ALTA (100%)	:25
9	Thick Smoothie (Batido espeso)	Aumenta a velocidad MEDIA (100%) durante 15 segundos, luego a ALTA (100%) durante 20 segundos	:35
10	Mix, Light Juice (Mezcla, jugo liviano)	Funciona a velocidad BAJA (10%)	:04
11	Heavy Smoothie (Batido denso)	Funciona a velocidad MEDIA-ALTA (75%), aumenta, disminuye y luego aumenta a ALTA (100%)	:40
12	Hard to Blend Smoothie (Batido difícil de licuar)	Funciona a velocidad BAJA (7%) durante 25 segundos, aumenta rápidamente a ALTA (100%), luego disminuye a BAJA (7%) y vuelve rápidamente a ALTA (100%)	:40
13	Regular Iced Coffee (Café helado)	Aumenta rápidamente a velocidad ALTA (100%)	:09
14	Double Iced Coffee (Café helado doble)	Aumenta rápidamente a velocidad ALTA (100%)	:13
15	Thick Coffee (Café espeso)	Aumenta a velocidad MEDIA (55%), disminuye gradualmente a BAJA (7%), luego sube rápidamente a ALTA (100%)	:30
16	Multiple Coffees (Múltiples cafés)	Aumenta a velocidad BAJA (25%), luego sube gradualmente a MEDIA (50%), y finalmente a ALTA (100%)	:25

Cubierta compacta

Puerta de la cubierta:

1. La puerta de la cubierta se puede retirar abriéndola hasta que quede en posición horizontal. Luego extienda suavemente los lados de la puerta sobre las bisagras redondas y sáquela.
2. Para volver a colocar la puerta de la cubierta, extienda suavemente los lados de la misma y coloque las hendiduras de las bisagras de la puerta sobre las bisagras redondas.

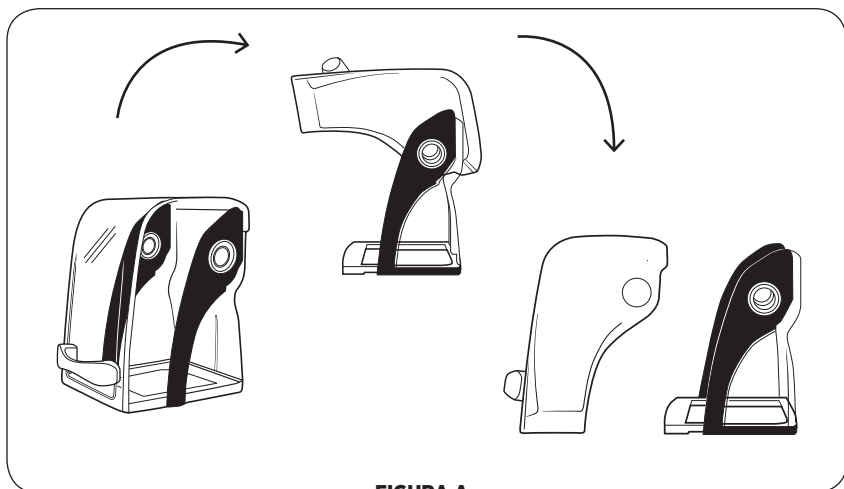


FIGURA A

¡NOTAS IMPORTANTES!

Vasos:

- Las máquinas The Quiet One® están diseñadas para optimizar su uso con el vaso de 48 oz. / 1,4 L Advance® (vaso de 3 lados) de Vitamix®. El vaso estándar de 64 oz. / 2,0 L no cabe en la cubierta compacta de la unidad The Quiet One®. Llame al Servicio de Atención al Cliente de Vitamix al (800) 886.5235 o a su distribuidor para obtener más información.
- Fuera de los Estados Unidos y Canadá, es posible que la máquina venga con una configuración de vaso diferente.

Tapa de dos piezas (Figura A)

Vaso de 48 oz. / 1,4 L Advance®

La tapa de dos piezas se puede limpiar, colocar, retirar y sellar fácilmente.

- Para retirar una tapa completamente cerrada con pestillo, levante las dos lengüetas y tire hacia arriba y hacia afuera.
- Gire el tapón del medio de la tapa para afianzarlo o quitarlo.

Tapa de una pieza (Figura B)

Vaso de 48 oz. / 1,4 L Advance®

La tapa de una pieza se puede limpiar, colocar, retirar y sellar fácilmente.

- Esta tapa no tiene tapón.
- Los ingredientes pueden agregarse por el orificio situado en la parte superior.



FIGURA A

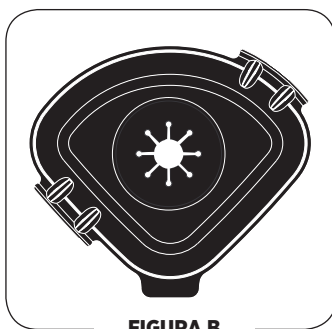


FIGURA B

Para asegurar el tapón de la tapa, gírelo de manera que una de las lengüetas se bloquee entre las muescas en la parte superior de la tapa de goma

Máquina empotrada

Preparación del área del mostrador:

- Antes de hacer los orificios, asegúrese de que haya un espacio adecuado debajo del mostrador para el motor. El motor ocupará aproximadamente 3,0 pulg. / 7,6 cm debajo del mostrador, pero es mejor dejar un espacio de al menos 10,0 pulg. / 25,4 cm entre el mostrador y las repisas u otro equipo bajo el mismo. Además, al usar el diseño con cubierta desmontable, el espacio detrás del orificio debe estar a por menos 4,3 pulg. / 10,8 cm de toda pared con el objeto de que haya lugar para abrir la puerta de la cubierta.
- Se necesitará un espacio abierto adicional de 4,0 pulg. / 10,2 cm sobre la parte superior de la cubierta para la instalación y el retiro de la máquina empotrada.
- Si va a instalar la unidad en un armario con puertas, cortina o faldón extendido, debe usar un tubo flexible (manguera de secadora) con diámetro de 4,0 pulg. / 10,2 cm para la ventilación. Conecte el tubo al escape de la base encajando el extremo de la manguera en el deflector de escape de la unidad. Instale el tubo hacia afuera del armario para que haya ventilación apropiada. Si hay múltiples unidades instaladas, éstas no deben ventilarse hacia un sistema de múltiple común sino hacia diferentes lugares mediante tubos de ventilación individuales.
- Si va a hacer orificios para instalar varias unidades empotradas, coloque los bordes de las máquinas a una distancia de por lo menos 12,0 pulg. / 30,5 cm a fin de garantizar una limpieza rápida y una ventilación apropiada entre las unidades.
- Para la instalación empotrada de una unidad de 120 V, se recomienda contar con un tomacorriente de 20 amperios como mínimo por máquina bajo el mostrador, a 6 pies / 1,8 m de distancia de la máquina. Las unidades de 220 y 100 V requieren una línea dedicada. Consulte a un electricista los requisitos eléctricos correctos.
- La máquina empotrada requiere además una junta (viene en el embalaje original de la máquina) que debe colocarse entre la máquina y el mostrador.
- Consulte la plantilla de instalación empotrada de la máquina The Quiet One® (viene en el embalaje original de la máquina) para obtener las pautas de instalación detalladas y una plantilla.



¡ADVERTENCIAS!

No ventile la manguera hacia el interior de una pared, el techo ni un espacio oculto de un edificio o armario.

No use abrazaderas de manguera ni accesorios afines para conectar la manguera de escape a la máquina. Cuando retire la licuadora del mostrador, hágalo siempre quitando primero el vaso, la puerta de la cubierta y la cubierta posterior. No golpee la licuadora mientras la retira del mostrador. No use la junta para instalación empotrada en un mostrador de madera, ya que causará la decoloración del mismo.

¡NOTAS IMPORTANTES!

No use el modelo empotrado en mesas de madera. La junta situada entre la máquina y el mostrador dejará marcas negras permanentes en la madera. El área debajo del mostrador debe tener ventilación adecuada para proporcionar circulación de aire alrededor de cada motor. Esto prolongará la vida útil de la máquina. Si almacena polvos para cocinar, mezclas, azúcares, etc., asegúrese de que los envases estén bien sellados. La entrada y salida de aire provocada por el funcionamiento de la máquina dispersará todo producto suelto.

Productos de limpieza

Solid Supra, Solid Power, _____
Guardian Acclaim, Solid Guardian Plus,
Solid Super Impact, Solid Insure

Diverpak _____
Eclipse H2, Liqui-Safe L7
Acclean
Poly-Brite

Glow MB-1 _____
Lustre NC-25
Lustre Plus

PSRA 41-D, PSRA 41-E _____
Liqui-Ware 1, Liqui-Ware MC
D-Flex, Sur-Met

Proveedores en los EE.UU.

Ecolab, Inc., St. Paul, MN
800-352-5326
www.ecolab.com

Diversey, Livonia, MI
800-521-8140

Wesmar Company, Inc.
Seattle, WA 206-783-5344
www.wesmar.com

Anderson Chemical Co.
Litchfield, MN
800-366-2477
www.andersonchemical.com

Agentes de enjuague

Solid Rinse Dry, Solid Brilliance, _____
Jet Dry, Rinse Dry

Ecolab, Inc., St. Paul, MN
800-352-5326
www.ecolab.com

Desmanchador

NuWare _____

Diversey, Livonia, MI
800-521-8140

¡NOTAS IMPORTANTES!

Productos de limpieza: No use agentes limpiadores abrasivos ni blanqueador concentrado para limpiar. No use limpiadores que contengan desinfectantes cuaternarios sobre los componentes de policarbonato (por ejemplo, los vasos Advance® y las cubiertas).

No use ninguno de los siguientes productos de limpieza: detergentes para lavavajillas automáticos, limpiadores de hornos, lana de acero ni ninguna esponja abrasiva.

Cubierta: No lave la puerta de la cubierta, el mango ni la cubierta posterior en el lavavajillas. No se recomienda desmontar el mango durante la limpieza. Sin embargo, si decide retirarlo de la cubierta, cerciórese de no apretarlo excesivamente al volver a colocarlo en la misma, pues lo dañará.

Vaso: No deje que las mezclas, los líquidos ni los alimentos se sequen en el vaso. Enjuáguelo después de usarlo. Los productos secos pueden bloquear las cuchillas y debilitar o menoscabar los sellos de los cojinetes cuando se vuelve a encender la máquina. Las temperaturas extremadamente bajas combinadas con ingredientes calientes y/o la acción rápida e inmediata de las cuchillas pueden agrietar el vaso. Debido a la naturaleza de los policarbonatos usados en los vasos Advance® y en el conjunto de caja silenciadora, no se recomienda usar el vaso en un horno microondas ni lavarlos en un lavavajillas.

Problemas:	Soluciones:
<ul style="list-style-type: none"> Ruido fuerte proveniente del área de las cuchillas del vaso de la licuadora Las cuchillas del vaso no giran Aumento de la vibración Fugas desde el fondo del vaso 	<ul style="list-style-type: none"> a. Acople roto o desgastado. Reemplácelo (artículo núm. 391). Las instrucciones vienen incluidas con la pieza. b. Revise el conjunto de cuchillas por si hay componentes sueltos, dañados o mellados y reemplácelos. c. Apriete la tuerca de sujeción girando en sentido horario la llave para dicha tuerca. (Consulte la página 47.)
<ul style="list-style-type: none"> Fuertes chirridos provenientes del motor de la licuadora 	<p>Cojinetes del motor dañados, es posible que deba reparar la máquina.</p>
<ul style="list-style-type: none"> La máquina no funciona El visor no muestra el mensaje "Ready" (Listo) 	<ul style="list-style-type: none"> a. Vuelva a verificar que el cable eléctrico esté firmemente enchufado al tomacorriente. b. Verifique que interruptor On/Off (Encendido/ Apagado) esté en la posición de encendido. c. Apague el interruptor On/Off (Encendido/ Apagado), luego enciéndalo para reiniciar los ajustes electrónicos.
<ul style="list-style-type: none"> La máquina arranca y después se apaga 	<p>Verifique que la máquina reciba suministro eléctrico.</p>
<ul style="list-style-type: none"> El visor muestra el mensaje "SHUT DOWN SEE MANUAL" (APAGUE LA MÁQUINA, CONSULTE EL MANUAL) 	<p>Deje que la máquina se enfríe durante una hora, luego vuelva a arrancarla.</p>
<ul style="list-style-type: none"> El visor muestra el mensaje "MOTOR LOCKED PROGRAM TERMINATED" (MOTOR BLOQUEADO, PROGRAMA TERMINADO) 	<p>Deje que la máquina se enfríe durante una hora, luego vuelva a arrancarla.</p>
<ul style="list-style-type: none"> La máquina funciona en forma irregular Cuando se oprime un botón, aparece el mensaje "NO PROGRAM" (NO HAY PROGRAMA) El botón oprimido inicia el programa equivocado La máquina arranca sola El botón de un programa específico está defectuoso Se apagó la máquina por un día, una semana o un mes, y después de encenderla no recibe suministro La máquina no funcionó la primera vez que se intentó encenderla La máquina funciona, pero no hay información en el visor Los botones de programas hacen funcionar la licuadora a la misma velocidad 	<ul style="list-style-type: none"> a. Apague la máquina y vuelva a encenderla para reiniciar la programación. b. Intente enchufar la máquina en otro tomacorriente.

MANTENIMIENTO DE LA LICUADORA VITAMIX

Para maximizar la vida útil del producto Vitamix® y mantenerlo en buen estado, es importante que siga unos cuantos consejos sencillos de mantenimiento:

1. Inspeccione periódicamente el acople por si presenta deterioro, grietas o roturas. Si está dañado, reemplácelo por el acople de repuesto que viene con la licuadora. Si desea adquirir acoples de repuesto adicionales, comuníquese con Vita-Mix® Corporation (en adelante, "Vitamix") llamando al (800) 866-5235 para encontrar un vendedor en su localidad. Los clientes que viven fuera de EE. UU. pueden comunicarse con el distribuidor autorizado de Vitamix o con la División Internacional de Vitamix llamando al +1 (440) 782-2450 o enviando un correo electrónico a international@vitamix.com para encontrar un distribuidor cerca de su domicilio.
2. Gire manualmente el conjunto de cojinetes de las cuchillas para cerciorarse de que rote sin vacilar o no gire demasiado libremente. Si las cuchillas vacilan o giran demasiado libremente, comuníquese con Vitamix para obtener información sobre la garantía o encontrar un vendedor en su localidad.
3. Nunca haga funcionar la máquina si la almohadilla centrante no está correctamente situada en la base. Además, nunca retire el vaso de la base antes de que el licuado haya finalizado y las cuchillas se hayan detenido.

GARANTÍA LIMITADA *(a menos que el contrato brinde otro tipo de cobertura)*

Vita-Mix® Corporation (en adelante, "Vitamix") garantiza al usuario final original ("Comprador") que sus licuadoras Vitamix de uso comercial (que incluyen una base de motor, un vaso y una tapa, que, en adelante, se denominan de forma conjunta el "Equipo") no presentarán defectos de material ni de mano de obra durante los períodos de garantía pertinentes para el Equipo, según se describe en el presente documento, y estarán sujetas a las condiciones descritas a continuación. Se requiere un comprobante de compra.

A continuación, se especifican los únicos recursos del Comprador y las únicas obligaciones de garantía de Vitamix.

Ningún empleado de Vitamix ni ninguna otra persona tiene autorización para ofrecer una garantía adicional ni para enmendar las siguientes garantías.

LO QUE CUBRE LA GARANTÍA

A. Garantía de la base de motor (que incluye el tablero de control y la almohadilla táctil):

Vitamix garantiza al usuario final original que:

- Si la base de motor falla en el transcurso de treinta (30) días desde la fecha de compra debido a defectos de material o de mano de obra, Vitamix reemplazará la base de motor por una nueva.
- Si la base de motor falla transcurridos treinta (30) días desde la fecha de compra, pero en el transcurso de un (1) año a partir de la fecha de compra, debido a defectos de material o de mano de obra, Vitamix asumirá el costo de todas las piezas y de la mano de obra que sean necesarios para repararla.
- Si la base de motor falla transcurrido el primer año, pero en el transcurso de tres (3) años a partir de la fecha de compra, debido a defectos de material o de mano de obra, Vitamix asumirá el costo de todas las piezas que sean necesarias para repararla.

QUÉ ANULA LA GARANTÍA

Todas las garantías del producto se consideran nulas si se presentan las siguientes situaciones:

- La licuadora se coloca en una caja silenciadora que no fue fabricada por Vitamix.
- Cualquier componente de una pieza cubierta del Equipo u otra pieza fue modificado, alterado, “reacondicionado” o reparado por personas ajenas a Vitamix, un centro de servicio autorizado por Vitamix o un distribuidor autorizado por Vitamix.
- Cualquier componente de Vitamix cubierto se usa con un componente no autorizado expresamente por escrito por Vitamix (es decir, se usa un vaso Vitamix con una base de motor que no es Vitamix o se usa una base de motor Vitamix con un vaso que no es Vitamix).
- Cualquier pieza de la licuadora se instala de manera incorrecta, lo cual incluye, entre otros, mano de obra deficiente, sin respetar las especificaciones suministradas, o ventilación inadecuada de los modelos “empotrados”.

CÓMO RECIBIR LA COBERTURA Y REPARACIÓN DE LA GARANTÍA

Con quién debe comunicarse para recibir el servicio y la reparación de la garantía:

En caso de que la licuadora Vitamix requiera servicio o reparación cubiertos por los términos de esta garantía, llame a Vita-Mix Corporation, a un centro de servicio autorizado o a un distribuidor local a fin de obtener asistencia al respecto.

- **Para el Equipo adquirido y que se encuentra en EE. UU.:**
Llame al Servicio Técnico de Vitamix: (800) 886-5235.
- **Para el Equipo adquirido fuera de EE. UU. continental:**
Comuníquese con el distribuidor autorizado de Vitamix o con la División Internacional de Vitamix llamando al +1 (440) 782-2450 o enviando un correo electrónico a international@vitamix.com para encontrar un distribuidor cerca de su domicilio.

Se le solicitará que presente un comprobante de compra del Equipo. Si el equipo de servicio técnico remoto no puede arreglar el Equipo de manera remota, se deberá reparar el Equipo. El equipo lo ayudará a encontrar un centro de servicio autorizado o a coordinar el envío del Equipo a Vitamix.

CÓMO ENVIAR EL EQUIPO A VITAMIX PARA SU REPARACIÓN

A. Obtenga un número de autorización de devolución antes de realizar el envío.

No devuelva ni envíe el Equipo sin la aprobación de Vitamix. En ningún caso Vitamix se hará cargo del costo de las reparaciones no autorizadas. Todas las devoluciones de Equipos deben tener el número de autorización de devolución (Return Authorization, “RA”) claramente marcado en el exterior de la caja. Todo Equipo enviado a Vitamix sin autorización ni aprobación previas será devuelto a la dirección de la empresa de transportes “tal como está”, sin haberlo reparado.

- **B. Embale de manera correcta el artículo que será devuelto.** Todo artículo devuelto a Vitamix deberá enviarse en el embalaje original o en uno apto para tal fin.

The Quiet One®

- Núm. 15092** Tapa antisalpicaduras para el vaso de 48 oz. / 1,4 L Advance®
- Núm. 15986** Tapa solamente (sin tapón) para el vaso de 48 oz. / 1,4 L Advance®
- Núm. 15985** Conjunto de tapa de dos piezas para el vaso de 48 oz. / 1,4 L Advance®
- Núm. 15978** Vaso de 48 oz. / 1,4 L Advance®, conjunto de cuchillas y conjunto de la tapa
- Núm. 15980** Vaso de 48 oz. / 1,4 L Advance® solamente
- Núm. 15979** Vaso de 48 oz. / 1,4 L Advance®, conjunto de cuchillas, conjunto sin tapa
- Núm. 15990** Conjunto del agitador de cuchillas Advance®
- Núm. 15585** Tuerca de sujeción
- Núm. 891** Acople
- Núm. 15579** Almohadilla centrante silenciadora
- Núm. 15080** Cubierta posterior compacta y puerta de la cubierta con diseño embisagrado desmontable
- Núm. 15081** Puerta de la cubierta compacta
- Núm. 15082** Cubierta posterior compacta
- Núm. 15107** Junta aislante
- Núm. 15083** Junta para instalación empotrada

¡NOTAS IMPORTANTES!

- Fuera de los EE.UU. y Canadá, es posible que la máquina venga con una configuración de vaso diferente. Póngase en contacto con su distribuidor local de Vitamix para obtener los números de los artículos.
- Aparte del acople, el conjunto de cuchillas y la tuerca de sujeción, esta unidad no puede ser reparada por el usuario.

The Quiet One®

Requisitos eléctricos:

- 120 V, 50/60 Hz, 15 amperios
- Usa un cable con conexión a tierra de tres clavijas para los EE.UU.
- Se recomienda un tomacorriente de 20 amperios por máquina.

No use cables de extensión con la máquina.

- 220 - 240 V, 50/60 Hz, 1300 - 1550 vatios
- 100 V (Japón), 50/60 Hz, 1000 vatios

Dimensiones de instalación en sobremesa:

- Altura de 18,0 pulg. / 45,7 cm con tapa cerrada
- Altura de 24,5 pulg. / 62,2 cm con tapa abierta
- Profundidad: 10,7 pulg. / 27,2 cm con mango
- Ancho: 8,5 pulg. / 21,6 cm

Dimensiones de instalación empotrada:

- Altura de 16,5 pulg. / 41,9 cm con tapa cerrada
- Altura de 23,0 pulg. / 58,4 cm con tapa abierta
- Profundidad: 10,7 pulg. / 27,2 cm con mango
- Ancho: 8,5 pulg. / 21,6 cm
- Profundidad bajo el mostrador: 1,2 pulg. / 3,0 cm

Según corresponda:



Para ver la línea completa de productos Vitamix®, visite el sitio web vitamix.com



Vita-Mix® Corporation Commercial Division

8615 Usher Road, Cleveland, Ohio 44138 U.S.A.

Tel: +1 (440) 235.0214 Correo electrónico: commercial@vitamix.com

©2012 Vita-Mix Corporation. No está permitido reproducir ni transmitir ninguna parte de esta publicación, de forma alguna ni por ningún medio, ni almacenarla en una base de datos o un sistema de recuperación sin la autorización por escrito de Vita-Mix Corporation.

Impreso en EE.UU. 102865 12/12

Зип Общепи

vsezip.ru

+7(812)987-08

PRÉCAUTIONS IMPORTANTES

3ип.Общепи

vsezip.ru

+7(812)987-00

1. Lire toutes ces instructions.
2. Pour vous protéger des chocs électriques, ne pas immerger le socle-moteur dans l'eau ou dans d'autres liquides.
3. La machine doit être surveillée de près si elle est utilisée par des enfants ou à proximité d'enfants.
4. Débrancher le cordon d'alimentation de la prise murale lorsque l'appareil Vitamix® n'est pas en service, avant de le démonter, lors de l'installation et du démontage des pièces et avant tout nettoyage autre que le nettoyage du bol.
5. Ne jamais toucher les pièces en mouvement, particulièrement les lames.
6. Ne pas utiliser un appareil qui ne fonctionne pas correctement, dont le câble électrique est endommagé, un appareil qui est tombé ou qui est endommagé de quelque manière que ce soit. Si vous avez acheté votre appareil aux É.-U., contactez le **Service d'assistance technique Vitamix au (800) 886.5235**, pour que votre appareil soit examiné, réparé, potentiellement échangé ou bien pour que ses fonctions électriques ou mécaniques soient ajustées. Si vous avez effectué votre achat en dehors des É.-U., veuillez contacter votre Distributeur Vitamix agréé, ou communiquez avec la Division internationale Vitamix au +1 (440) 782.2450 ou bien par courriel : international@vitamix.com pour trouver un distributeur près de chez vous.
7. Ne pas utiliser d'accessoires qui ne sont pas recommandés ou vendus par Vitamix, au risque d'annuler la garantie. **Il est n'est pas recommandé d'altérer ou de modifier ce produit de quelque façon que ce soit au risque de causer des blessures.**
8. **Ne pas utiliser pas ce produit à l'extérieur.**
9. Ne pas laisser le cordon d'alimentation entrer en contact avec des surfaces chaudes ou bien pendre d'une table ou d'un comptoir.
10. Ne pas placer cet appareil sur ou à proximité d'une cuisinière à gaz ou électrique, ou bien dans un four chaud et ne pas laisser l'appareil entrer en contact avec des surfaces chaudes. Les sources extérieures de chaleur peuvent endommager l'appareil.
11. Conserver les mains et les ustensiles à l'extérieur du bol lorsque le moteur est en fonctionnement afin de limiter les risques de blessures sévères et/ou de dommages à l'appareil. Une spatule souple peut être utilisée, mais uniquement lorsque l'appareil Vitamix n'est pas en fonctionnement.
12. **AVERTISSEMENT : Les lames sont coupantes. Manipuler avec précaution.**
 - Ne jamais essayer de retirer les lames lorsque le bol est posé sur le socle-moteur.
 - Ne pas utiliser de lames desserrées, ébréchées ou endommagées - les remplacer immédiatement.
 - Afin de limiter les risques de blessures, ne jamais placer l'assemblage de lame sur le socle-moteur sans que le bol Vitamix y soit correctement encastré.
13. La capacité maximale correspond à la quantité en onces (litres) marquée sur le bol, c.-à-d. 48 oz. / 1,4 L, cette quantité est substantiellement réduite pour les mélanges épais.
14. **Ne jamais faire fonctionner le mélangeur Vitamix sans que le couvercle soit correctement en place.**
15. La fenêtre d'affichage risque d'être rayée si elle entre en contact avec un tampon à récurer ou avec des objets pointus. Utiliser un chiffon doux pour essuyer la zone du panneau de contrôle.
16. La station de mélange ne doit pas être nettoyée au jet d'eau.
17. Pour une installation en 120 V, il est recommandé d'utiliser au minimum une prise électrique de 20 amp par appareil, à une distance de 6 pi. / 1,8 m du Vitamix. Les machines 220 V et 100 V nécessitent une ligne spécialisée. **Consultez un électricien pour connaître vos besoins électriques.**

Instructions d'utilisation des boutons de programmes préréglés

Ce qui suit décrit les réglages de base des six boutons de programmes préréglés The Quiet One®. Ces programmes, numérotés de 1 à 6, sont des cycles de mélange conçus pour les boissons les plus courantes. Selon la viscosité de la boisson que vous préparez, l'appareil fonctionnera pour un cycle complet en fonction de votre choix de programme préréglé. L'appareil s'arrêtera de lui-même lorsque le cycle est terminé. Les cycles sont de durée et de vitesse variables. Les options prérégées de votre appareil peuvent varier selon les révisions apportées au programme ou les différences dans les recettes; le résultat que vous obtiendrez peut varier en fonction.

BOUTON 1 : Usage générique / Yogourt fouetté – mélange le yogourt fouetté et les boissons légères à base de jus et de glace pour leur donner une consistance crémeuse. (:18)

BOUTON 2 : Double Yogourt fouetté – mélange les boissons similaires au bouton 1 mais en plus grande quantité. (:18)

BOUTON 3 : Café glacé et Jus – mélange les boissons au café légères pour leur donner une consistance crémeuse. (:18)

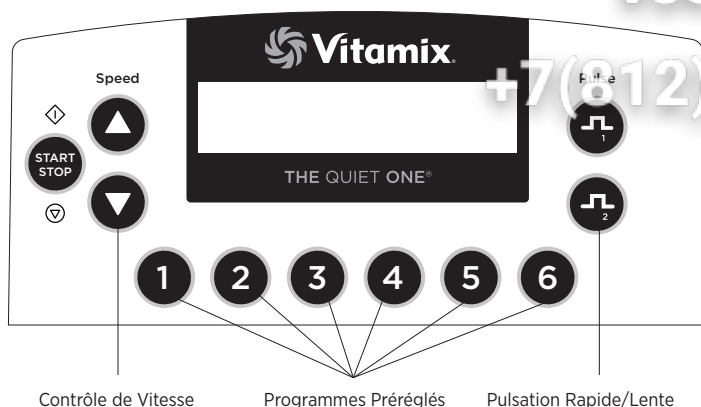
BOUTON 4 : Boissons à la crème glacée – mélange les boissons contenant de la crème glacée dure pour leur donner une consistance de lait fouetté épais. (:28)

BOUTON 5 : Boissons à la crème glacée doubles et difficiles à mélanger. (:20)

BOUTON 6 : Yogourt fouetté épais et difficile à mélanger – mélange les fruits congelés et les ingrédients durs pour obtenir un yogourt fouetté épais mais homogène. (:28)

Conseils de mélange

1. Placer tout d'abord les liquides et les aliments mous dans le bol, suivis des aliments solides et enfin de la glace. Bien que ce ne soit pas absolument nécessaire, vous pouvez choisir de couper ou de briser les aliments en petits morceaux afin de pouvoir les mesurer plus précisément. Il est recommandé d'utiliser des fruits décongelés ou partiellement décongelés.
2. En règle générale, par rapport aux autres mélangeurs, vous n'avez pas besoin d'autant de glace pour préparer une boisson glacée avec The Quiet One®. Si les ingrédients gèlent, essayer de réduire la quantité de glace.
3. Enclencher le bol sur le socle-moteur en alignant celui-ci au socle de centrage ancré à la base. **(Le moteur doit être à l'arrêt complet avant de mettre le bol en position).** Les bols ne doivent pas être utilisés pour des aliments durs ou secs. Éviter de faire fonctionner l'appareil si le bol est vide.
4. Toujours utiliser un couvercle fixé correctement en place lors du mélange.
5. Brancher l'appareil dans la prise électrique la plus proche (s'il est débranché). Appuyer sur l'interrupteur On/Off (Marche/Arrêt) pour allumer l'appareil. Sélectionner le réglage préprogrammé souhaité en appuyant sur l'un des boutons de programmation numérotés de 1 à 6. L'appareil commencera immédiatement à mettre en œuvre le programme et s'éteindra lorsque le programme sera terminé. **(REMARQUE : Chaque bouton déclenche un mélange ayant une combinaison différente en termes de vitesse et de durée.)**
6. Dès que l'un des boutons de programme préréglé est enclenché, l'appareil se met en route et il s'arrêtera automatiquement. Si un autre bouton de programme préréglé est enclenché, le cycle de mélange s'arrête.



Interrupteur On/Off (Marche/Arrêt) : Situé à l'arrière du socle-moteur, l'interrupteur On/Off (Marche/Arrêt) contrôle l'alimentation électrique de l'appareil. Quand l'appareil est branché, positionner l'interrupteur sur on pour préparer la machine à mélanger. Positionner l'interrupteur sur Off (Arrêt) pendant la nuit ou lorsque l'appareil est laissé sans surveillance.

Bouton Start/Stop (Démarrage/Arrêt) : Appuyez sur le bouton Start (◇)/Stop (▽) (Démarrage/Arrêt) pour démarrer et faire fonctionner l'appareil et faire tourner la lame. Appuyer à nouveau sur le bouton Start/Stop pour arrêter l'appareil et les lames.

Boutons Speed (Vitesse) : Appuyer sur le bouton ▲ pour augmenter graduellement la vitesse des lames en incréments de 1%, jusqu'à 100%. Appuyer sur le bouton ▼ pour diminuer graduellement la vitesse des lames en incréments de 1%, jusqu'à 7%. Speed (Vitesse) sert à régler la vitesse de mélange du bouton Pulse (Pulsation) (voir Instructions, page 69) et du bouton Start/Stop (Démarrage/Arrêt).

Boutons de programmes pré réglés : Ces boutons, numérotés de 1 à 6, représentent les cycles de mélange préprogrammés conçus pour les boissons les plus courantes. En fonction de la viscosité de la boisson à préparer, choisir l'un des six boutons de programmes pré réglés afin que la machine accomplisse un cycle complet. L'appareil s'arrêtera de lui-même lorsque le cycle est terminé. Les cycles sont de vitesse et de durée variables; voir les Instructions de la page 66 pour une description complète de la gamme de chaque programme pré réglé. Chaque bouton peut être reprogrammé pour n'importe quelle recette grâce à une programmation personnalisée ou en reprogrammant l'une des 34 recettes disponibles. Voir les instructions relatives à la création de programmation personnalisée en page 70. En raison de la différence dans les recettes, vous pouvez obtenir des résultats différents.

REMARQUES IMPORTANTES!

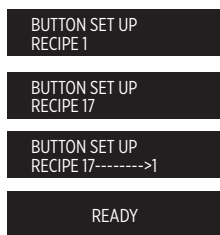
Bouton Start/Stop (Démarrage/Arrêt) : En appuyant sur l'un des boutons de programmes pré réglés alors que le moteur tourne, la machine s'arrêtera.

Bouton Speed (Vitesse) : Ces réglages seront réinitialisés si l'alimentation électrique est interrompue.

The Quiet One® est préprogrammé par un programme Advance® qui est optimisé pour le bol Advance®. Les programmes peuvent être personnalisés en utilisant le panneau de contrôle, une puce de programmation ou un kit logiciel de programmation disponibles auprès de Vitamix®. Appelez votre distributeur ou le Service à la clientèle pour de plus amples informations.

Programmation des boutons préréglés

1. Vous pouvez accéder aux 34 programmes en mémoire en activant l'interrupteur d'alimentation électrique à l'arrière du socle-moteur tout en maintenant le bouton de Pulsation Rapide (High Pulse) enfoncé. L'écran affichera « BUTTON SET UP » (RÉGLAGE DU BOUTON)
2. Appuyer sur les boutons Speed (Vitesse) ▲ ou ▼ pour parcourir les numéros de « Recette » jusqu'à atteindre celle que vous voulez. (Voir la page 72 pour une description de chaque recette.)
3. Appuyez sur le bouton de programmation auquel vous souhaitez assigner la recette choisie.

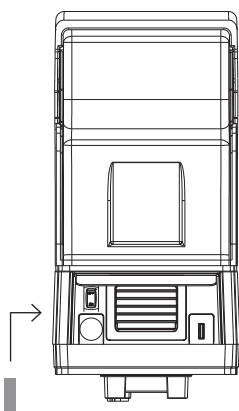


Par exemple : Si vous voulez assigner bouton 1 avec recette #17 :

1. Après avoir accédé aux programmes en mémoire tel qu'il est décrit à l'étape 1, l'écran affichera « BUTTON SETUP » (RÉGLAGE DU BOUTON)
2. Appuyez sur le bouton Speed (Vitesse) ▲ jusqu'à ce que l'écran affiche « Recipe 17. »
3. Appuyez sur le bouton 1 pour appliquer la Recette 17.
4. Vous pouvez continuer de programmer les cinq autres boutons ou bien appuyer sur le bouton High Pulse (Pulsation Rapide) pour quitter et continuer à mélanger.

Programmation de votre appareil avec une puce personnalisée

1. Allumer l'appareil.
2. Enlever le bol et retourner l'appareil vers l'arrière de manière à pouvoir voir le port de programmation.
3. L'arrière de la machine vous faisant face, insérer la puce de programmation personnalisée (les mots « THIS SIDE FACING TO THE FRONT OF THE MACHINE » faisant face sur la gauche) dans le port situé sur le côté droit de l'appareil, du côté opposé à l'interrupteur On/Off (Marche/Arrêt). Pousser doucement jusqu'à ce que la puce s'enclenche dans le port. L'écran affichera « New Module » (nouveau module).
4. Dans les 10 secondes, les six boutons de programmation seront reprogrammés et l'écran affichera « Saved » (sauvegardé) puis « Ready » (prêt).
5. Enlever la puce de programmation, la remettre dans son emballage d'origine et la conserver dans un endroit facilement accessible et sûr.
6. Appuyer sur l'un des six boutons de programmation pour afficher sur l'écran le nom du programme/de la boisson.



Puce de programmation personnalisée

Options de Recette Rangées par numéro de recette (N°) et type de boisson.

+7(812)987-0000

N°	TYPE DE BOISSON	DESCRIPTION	DURÉE TEMPS D'EXÉCUTION
1	General Purpose/Smoothie (Usage générique/ Yogourt fouetté)	Accélère jusqu'à 60% pendant 18 secondes	:18
2	Double Smoothie (Double yogourt fouetté)	Accélère jusqu'à MED (45%) pendant 6 secondes, puis (58%) pendant 8 secondes, puis HIGH (rapide) (85%) pendant 4 secondes	:18
3	Frozen Coffee & Juices (Café glacé et jus)	Accélère jusqu'à LOW (lent) (25%) pendant 4 secondes, puis jusqu'à MED (60%) pendant 14 secondes	:18
4	Ice Cream Drinks (Boissons à la crème glacée)	Accélère jusqu'à MED (55%) pendant 5 secondes, puis LOW (lent) pendant 7 secondes, puis (12%) pendant 16 secondes	:28
5	Double & Hard to Blend Ice Cream Drinks (Boissons à la crème glacée doubles et difficiles à mélanger)	Accélère jusqu'à MED (51%) pendant 10 secondes, puis accélère jusqu'à HIGH (rapide) (85%) pendant 10 secondes	:20
6	Thick Hard-To-Blend (Préparations épaisses dure à mélanger)	Accélère jusqu'à LOW (lent) (15%) pendant 7 secondes, puis accélère graduellement jusqu'à HIGH (rapide) (82%) pendant 21 secondes	:28
7	Medium Smoothie (Yogourt fouetté moyen)	Accélère graduellement jusqu'à HIGH (rapide) (100%)	:20
8	Hard to Blend Smoothie (Yogourt fouetté difficile à mélanger)	Accélère graduellement jusqu'à HIGH (rapide) (100%)	:25
9	Thick Smoothie (Yogourt fouetté épais)	Accélère jusqu'à MED (50%) pendant 15 secondes, puis accélère jusqu'à HIGH (rapide) (100%) pendant 20 secondes	:35
10	Mix, Light Juice (Mélange, jus léger)	Fonctionne en LOW (lent) (10%)	:04
11	Heavy Smoothie (Yogourt fouetté lourd)	Fonctionne en MED-HIGH (médium-rapide) (75%), accélère, ralentit puis accélère jusqu'à HIGH (rapide) (100%)	:40
12	Hard to Blend Smoothie (Yogourt fouetté difficile à mélanger)	Fonctionne en LOW (lent) (7%) pendant 25 secondes, accélère rapidement jusqu'à HIGH (rapide) (100%), puis ralentit jusqu'à LOW (lent) (7%), et accélère à nouveau jusqu'à HIGH (rapide) (100%)	:40
13	Regular Iced Coffee (Café glacé standard)	Accélère rapidement jusqu'à HIGH (rapide) (100%)	:09
14	Double Iced Coffee (Café glacé double)	Accélère rapidement jusqu'à HIGH (rapide) (100%)	:13
15	Thick Coffee (Café épais)	Accélère jusqu'à MED (55%), ralentit graduellement jusqu'à LOW (lent) (7%), puis accélère rapidement jusqu'à HIGH (rapide) (100%)	:30
16	Multiple Coffees (Cafés multiples)	Accélère jusqu'à LOW (lent) (25%), puis accélère graduellement jusqu'à MED (50%), puis jusqu'à HIGH (rapide) (100%)	:25

Couvercle compact

Porte du couvercle :

1. Il est possible d'enlever la porte du couvercle en l'ouvrant jusqu'à ce qu'elle soit horizontale. Puis, écarter doucement les côtés de la porte au dessus des charnières rondes et la retirer.
2. Pour remettre en place la porte du couvercle, écarter doucement les côtés de la porte et placer les ouvertures de charnière au dessus des charnières rondes.

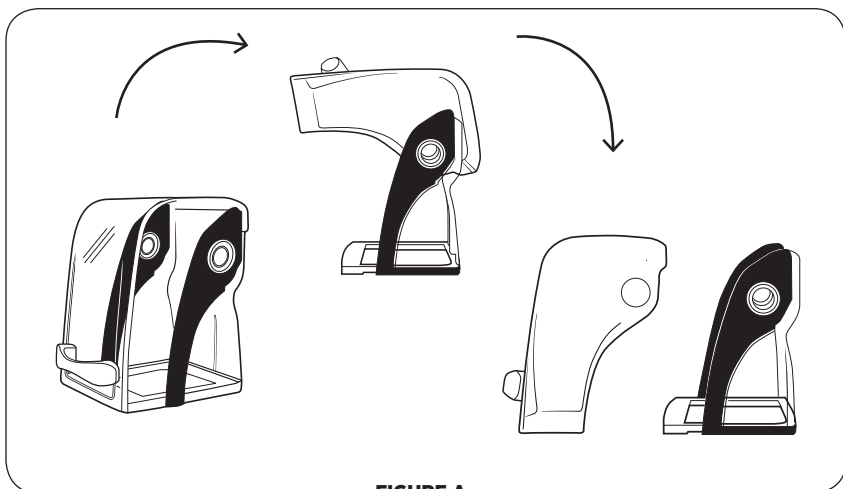


FIGURE A

REMARQUES IMPORTANTES!

Bols :

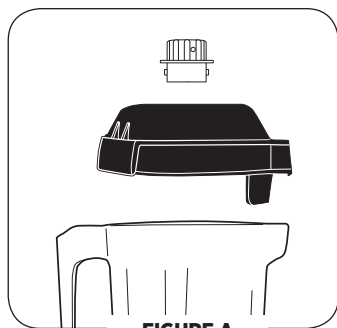
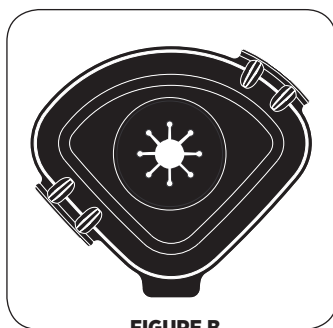
- Les appareils The Quiet One® sont conçus pour fonctionner avec les bols Vitamix® Advance® de 48 oz. / 1,4 L (bol à 3 côtés). Le bol de 64 oz. / 2,0 L standard ne peut pas s'adapter au couvercle compact du The Quiet One®. Contactez le Service à la clientèle Vitamix au (800) 886.5235 ou contactez votre distributeur pour obtenir de plus amples information.
- À l'extérieur des États-Unis et du Canada, il est possible que votre appareil soit livré avec une configuration de bol différente.

Couvercle en deux parties (Figure A)**Bol Advance® de 48 oz / 1,4 L****Le couvercle en deux parties est facile à nettoyer, facile à installer, à enlever et à fermer.**

- Pour enlever un couvercle verrouillé en place, relever les deux languettes et tirer vers le haut.
- Faire tourner le bouchon central du couvercle pour le fixer ou l'enlever.

Couvercle en une partie (Figure B)**Bol Advance® de 48 oz / 1,4 L****Le couvercle en une partie est facile à nettoyer, facile à installer, à enlever et à fermer.**

- Ce couvercle ne dispose pas de bouchon.
- Les ingrédients peuvent être ajoutés par l'orifice sur le dessus.

**FIGURE A****FIGURE B**

Pour fixer le bouchon du couvercle, le faire pivoter de manière à ce qu'une languette se coince entre les entailles au-dessus du couvercle en caoutchouc.

Appareil intégré au plan de travail

Préparation du plan de travail :

- Avant d'effectuer les trous, s'assurer qu'il y a assez de place pour le moteur, sous le plan de travail. Le moteur dépasse d'environ 3,0 po / 7,6 cm sous le plan de travail, mais il est préférable de laisser une distance d'au moins 10,0 po / 25,4 cm entre le moteur et les étagères ou les autres installations sous le plan de travail. D'autre part, lorsque vous utilisez le couvercle démontable, l'arrière du trou doit se trouver à une distance d'au moins 4,3 po / 10,8 cm du mur pour que la porte du couvercle puisse être ouverte.
- Un espace supplémentaire de 4,0 po / 10,2 cm doit être maintenu au-dessus du couvercle afin de pouvoir positionner et retirer l'appareil intégré au plan de travail.
- Si la machine est installée dans une armoire à portes ou à rideau, un conduit d'aération (tuyau de sèche-linge) de 4,0 po / 10,2 cm de diamètre doit être installé en guise de ventilation. Relier le conduit à l'évacuation de la base en poussant l'extrémité du tuyau sur l'arc de disjoncteur de l'appareil. Diriger le conduit vers l'extérieur de l'armoire pour que la ventilation soit efficace. Si vous utilisez plusieurs appareils, leur ventilation ne doit pas être assurée par un collecteur unique, mais par des conduits d'évacuation individuels.
- Au moment d'effectuer les trous pour positionner plusieurs machines intégrées au plan de travail, le bord des appareils doit être séparé d'au moins 12,0 po / 30,5 cm pour faciliter le nettoyage et la ventilation des appareils.
- Pour les machines de 120 V intégrées au plan de travail, il est recommandé d'utiliser une prise électrique de 20 amp par appareil, à une distance de 6 pi / 1,8 m de l'appareil. Les machines de 220 V et 100 V nécessitent une ligne spécialisée. Consultez un électricien pour connaître vos besoins électriques.
- La machine intégrée au plan de travail a également besoin d'un joint statique (inclus avec l'appareil) qui doit être placé entre l'appareil et le plan de travail.
- Consultez le modèle du The Quiet One® (inclus avec l'appareil) pour voir les conseils détaillés d'installation et le modèle en lui-même.



AVERTISSEMENT!

Ne pas diriger le conduit d'aération dans un mur, un plafond ou l'espace clos d'un bâtiment ou d'une armoire.

Ne pas utiliser de colliers de serrage ou équivalent pour fixer le conduit d'aération à l'appareil. Pour retirer le mélangeur du plan de travail, toujours enlever le bol, la porte du couvercle et le cache arrière de la machine dans un premier temps. Ne pas taper le mélangeur au moment de le retirer du plan de travail. Ne pas utiliser le joint statique intégré au plan de travail sur une surface en bois. Le bois risque de se décolorer.

REMARQUES IMPORTANTES!

Ne pas utiliser l'appareil intégré au plan de travail sur une surface en bois. Le joint statique situé entre l'appareil et le plan de travail laissera des marques noires indélébiles sur le bois. La zone sous le plan de travail doit disposer d'une ventilation adéquate pour que l'air circule suffisamment autour de chaque moteur, afin de prolonger la durée de vie de votre appareil. Si vous conservez des poudres, des préparations, du sucre ou autre à proximité de l'appareil, assurez-vous que leurs boîtes sont correctement fermées. Les mouvements d'air provoqués par l'admission et l'évacuation d'air disperseront tous les produits en vrac.

Produits nettoyants

Solid Supra, Solid Power, _____
Guardian Acclaim, Solid Guardian Plus,
Solid Super Impact, Solid Insure

Diverpak _____
Eclipse H2, Liqui-Safe L7
Acclean
Poly-Brite

Glow MB-1 _____
Lustre NC-25
Lustre Plus

PSRA 41-D, PSRA 41-E _____
Liqui-Ware 1, Liqui-Ware MC
D-Flex, Sur-Met

Fournisseurs aux É.-U.

Ecolab, Inc., St. Paul, MN
800-352-5326
www.ecolab.com

Diversey, Livonia, MI
800-521-8140

Wesmar Company, Inc.
Seattle, WA 206-783-5344
www.wesmar.com

Anderson Chemical Co.
Litchfield, MN
800-366-2477
www.andersonchemical.com

Produits de rinçage

Solid Rinse Dry, Solid Brilliance, _____
Jet Dry, Rinse Dry

Ecolab, Inc., St. Paul, MN
800-352-5326
www.ecolab.com

Produit détachant

NuWare _____

Diversey, Livonia, MI
800-521-8140

REMARQUES IMPORTANTES!

Produits nettoyants : Ne pas utiliser de produits nettoyants abrasifs ou d'eau de Javel concentrée pour le nettoyage. Ne pas utiliser de produits nettoyants contenant des désinfectants sur les composants en polycarbonate (ex. bols Advance®, couvercles). Ne jamais utiliser les produits nettoyants suivants : détergents de lave-vaisselle automatique, nettoyants de four, laine d'acier ou autre produit abrasif.

Couvercle : Ne pas nettoyer la porte du couvercle, la poignée ou le cache arrière au lave-vaisselle. Il n'est pas recommandé de démonter la poignée lors du nettoyage. Toutefois, si vous décidez de démonter la poignée du couvercle, assurez-vous que celle-ci n'est pas trop serrée au moment de la réinstaller sur le couvercle. Faute de quoi, des dommages peuvent se produire.

Bol : Ne pas laisser les préparations, les liquides ou les aliments sécher à l'intérieur du bol. Rincer après usage. Les aliments secs peuvent se coincer autour des lames et affaiblir/endommager le joint du roulement à bille lors du redémarrage. Ne pas mettre le bol au congélateur. Une température très basse associée à des aliments très chauds et/ou à l'action rapide et immédiate des lames peut fendre le bol. En raison de la nature des polycarbonates utilisés pour les bols Advance® et l'assemblage du boîtier anti-bruit, il n'est pas recommandé de placer ces pièces dans un four à micro-ondes ou un lave-vaisselle.

Problèmes :	Solutions possibles :
<ul style="list-style-type: none"> • La zone des lames à l'intérieur du bol du mélangeur est très bruyante. • Les lames du bol ne tournent pas • Augmentation des vibrations • Fuite de la base du bol 	<ol style="list-style-type: none"> a. Douille d'entraînement usée ou cassée. Remplacer (Article 219). Les instructions sont incluses avec la pièce. b. Vérifier que l'assemblage de lames ne contient pas de pièces desserrées, ébréchées ou endommagées et remplacer si besoin. c. Resserrer l'écrou de serrage avec la clé à écrous en tournant dans le sens des aiguilles d'une montre jusqu'à ce qu'il soit serré. (Voir page 77.)
<ul style="list-style-type: none"> • Grincement bruyant du moteur du mélangeur 	<p>Les roulements à billes du moteur sont endommagés, votre appareil a peut-être besoin de réparations.</p>
<ul style="list-style-type: none"> • L'appareil ne fonctionne pas • L'écran n'affiche pas « Ready » (prêt) 	<ol style="list-style-type: none"> a. Vérifier que le cordon d'alimentation est fermement branché à la prise électrique. b. Vérifier que l'interrupteur On/Off (Marche/Arrêt) est en position On (Marche). c. Positionner l'interrupteur On/Off (Marche/Arrêt) sur Off (Arrêt), puis sur On (Marche), pour redémarrer le système électronique.
<ul style="list-style-type: none"> • L'appareil démarre puis s'éteint 	<p>Vérifier l'alimentation électrique de l'appareil.</p>
<ul style="list-style-type: none"> • L'écran affiche « SHUT DOWN SEE MANUAL » (arrêt consultez le manuel) 	<p>Laisser l'appareil refroidir pendant une heure puis redémarrer.</p>
<ul style="list-style-type: none"> • L'écran affiche « MOTOR LOCKED PROGRAM TERMINATED » (moteur bloqué programme interrompu) 	<p>Laisser l'appareil refroidir pendant une heure puis redémarrer.</p>
<ul style="list-style-type: none"> • Le fonctionnement de l'appareil est irrégulier • « NO PROGRAM » (pas de programme) s'affiche lorsqu'on appuie sur un bouton • Le bouton enclenché démarre le mauvais programme • L'appareil démarre tout seul • Un bouton de programmation spécifique ne fonctionne pas • L'appareil était éteint pendant un jour, une semaine ou un mois et il n'y a pas de courant lorsqu'il est allumé • L'appareil ne fonctionne pas lors du premier essai • L'appareil fonctionne mais l'écran n'affiche aucune information • Les boutons de programme font fonctionner le mélangeur à la même vitesse 	<ol style="list-style-type: none"> a. Éteindre et rallumer l'appareil pour réinitialiser la programmation. b. Essayer de brancher l'appareil dans une autre prise.

ENTRETIEN DU MÉLANGEUR VITAMIX

Afin de maximiser la durée de vie et le bon fonctionnement de votre produit Vitamix®, il est important de suivre quelques conseils simples d'entretien :

1. Inspectez régulièrement la douille d'entraînement pour vérifier que celle-ci n'est pas usée, fendue, craquée ou brisée. En cas de dommages, remplacez la douille d'entraînement par la douille de remplacement incluse avec votre mélangeur. Pour acheter des douilles d'entraînement supplémentaires, contactez Vitamix au 1 800 866-5235 pour trouver un concessionnaire près de chez vous. Pour les clients hors des É.-U., communiquez avec votre distributeur Vitamix autorisé ou communiquez avec la Division internationale de Vitamix au +1 440 782-2450 ou par courriel, à l'adresse suivante : international@vitamix.com pour trouver un distributeur près de chez vous.
2. Faites tourner à la main l'assemblage de roulement à billes des lames pour vous assurer qu'il tourne sans hésitations, mais pas trop librement. Si la rotation de la lame hésite ou est trop aisée, contactez Vitamix pour obtenir des informations relatives à la garantie ou pour trouver le concessionnaire le plus près de chez vous.
3. Ne faites jamais fonctionner l'appareil sans que le socle de centrage soit correctement placé sur la base, et ne retirez jamais le contenant de la base avant l'arrêt du mélangeur et avant que les lames n'aient cessé de tourner.

GARANTIE LIMITÉE (à moins d'indication contraire dans le Contrat)

Vita-Mix® Corporation (ci-après « Vitamix ») garantit à l'utilisateur final original (l'« Acheteur ») que ses mélangeurs commerciaux Vitamix (consistant en un socle-moteur, un contenant et un couvercle, collectivement désignés ci-après comme le « Matériel ») seront exempts de défauts matériels et de fabrication pendant la période de garantie applicable au Matériel tel que décrite ici et sont soumis aux conditions déterminées ci-dessous. Une preuve d'achat est requise.

Ce qui suit constitue les seuls recours de l'Acheteur et établit les seules obligations de Vitamix à l'égard de la garantie.

Aucun employé de Vitamix ni aucune autre personne n'est autorisé à offrir une garantie supplémentaire ou à apporter des modifications à la présente garantie.

OBJET DE LA GARANTIE**A. Garantie du socle-moteur (y compris le tableau de commande et la tablette tactile) :**

Vitamix garantit à l'utilisateur final original que :

- Si le socle-moteur présente un défaut matériel ou de fabrication dans les trente (30) jours de la date de l'achat, Vitamix remplacera le socle-moteur par un nouveau socle-moteur.
- Si le socle-moteur tombe en panne entre trente (30) jours et un (1) an après la date d'achat en raison d'un défaut matériel ou d'un défaut de fabrication, Vitamix assumera la responsabilité du coût des pièces détachées et de la main-d'œuvre nécessaires à la réparation du socle-moteur.
- Si le socle-moteur tombe en panne entre un an et trois (3) ans après la date d'achat en raison d'un défaut matériel ou d'un défaut de fabrication, Vitamix assumera la responsabilité du coût des pièces nécessaires à la réparation du socle-moteur.

ANNULLATION DE LA GARANTIE

La garantie du produit est invalide si :

- Le mélangeur est placé dans un boîtier antibruit non fabriqué par Vitamix.
- Une composante d'une pièce garantie du Matériel a été modifiée, altérée, « remise à neuf » ou réparée par une personne autre qu'un employé de Vitamix, un Centre de service Vitamix autorisé ou un distributeur Vitamix autorisé.
- Une composante garantie par Vitamix est utilisée avec une composante non autorisée expressément par Vitamix (c.-à-d. utilisation d'un contenant Vitamix avec un socle-moteur autre que de marque Vitamix et (ou) utilisation d'un socle-moteur Vitamix avec un contenant autre que de marque Vitamix).
- Une pièce du mélangeur est mal installée, y compris, sans s'y limiter, en raison d'un mauvais travail de main-d'œuvre, d'un défaut de suivre les spécifications fournies et (ou) d'une ventilation inadéquate des modèles « de comptoir ».

COMMENT FAIRE RESPECTER LA GARANTIE ET OBTENIR DES RÉPARATIONS

À qui s'adresser pour tout entretien et toute réparation couverts par la garantie :

Advenant le cas où votre mélangeur Vitamix aurait besoin d'entretien ou de réparations selon les conditions de cette garantie, veuillez appeler Vita-Mix Corporation, un centre de service autorisé ou un distributeur local pour obtenir de l'aide relativement à la garantie.

- **Pour les appareils achetés et situés aux É.-U. :**
Appelez le Soutien technique de Vitamix au numéro suivant : 1 800 886-5235.
- **Si vous avez acheté le Matériel à l'extérieur du territoire continental des États-Unis :**
Communiquez avec votre distributeur Vitamix autorisé ou communiquez avec la Division internationale de Vitamix au +1 440 782-2450 ou par courriel, à l'adresse suivante : international@vitamix.com pour trouver un distributeur près de chez vous.

Vous devrez fournir une preuve d'achat du Matériel. Si l'équipe de soutien technique à distance ne peut réparer le Matériel à distance, le Matériel devra faire l'objet d'entretien. L'équipe vous aidera à trouver un centre de service autorisé ou à prendre les arrangements requis pour expédier le Matériel à Vitamix.

COMMENT EXPÉDIER LE MATÉRIEL À VITAMIX EN VUE DE LA RÉPARATION

- A. Obtenez un Numéro d'autorisation de retour avant l'expédition.** Ne retournez pas et n'envoyez pas le Matériel sans l'autorisation de Vitamix. Vitamix n'assumera en aucun cas la responsabilité du coût de réparations non autorisées. Tous les produits retournés doivent avoir leur Numéro d'autorisation de retour (« RA ») inscrit clairement sur l'extérieur de leur boîte. Tout Matériel envoyé à Vitamix sans autorisation ou accord préalable sera renvoyé à l'adresse de l'expéditeur « tel quel », sans réparation.
- B. Emballez correctement l'article à retourner.** Tout article renvoyé à Vitamix doit être expédié dans son emballage d'origine ou dans un emballage suffisant.

The Quiet One®

- N° 15092** Couvercle anti-éclaboussures pour bol Advance® de 48 oz. / 1,4 L
- N° 15986** Couvercle seul (sans bouchon) pour bol Advance® de 48 oz. / 1,4 L
- N° 15985** Assemblage de couvercle en deux pièces pour bol Advance® de 48 oz. / 1,4 L
- N° 15978** Bol Advance® de 48 oz. / 1,4 L, assemblage de lames et assemblage de couvercle
- N° 15980** Bol Advance® de 48 oz. / 1,4 L seul
- N° 15979** Bol Advance® de 48 oz. / 1,4 L, assemblage de lames, pas d'assemblage de couvercle
- N° 15990** Assemblage d'agitateur de lames Advance®
- N° 15585** Écrou de serrage
- N° 891** Douille d'entraînement
- N° 15579** Socle de centrage anti-bruit
- N° 15080** Cache arrière compact et porte de couvercle à charnières démontables
- N° 15081** Porte de couvercle compacte
- N° 15082** Cache arrière compact
- N° 15107** Joint statique d'isolation
- N° 15083** Joint statique pour installation intégrée au plan de travail

REMARQUES IMPORTANTES!

- A l'extérieur des É.-U. et du Canada, il est possible que votre appareil soit livré avec une configuration de bol différente. Contactez votre Distributeur Vitamix pour connaître les numéros des articles.
- Mis à part la douille d'entraînement, l'assemblage de lames et l'écrou de serrage, cet appareil ne peut être réparé par l'utilisateur.

Зип Общепи

vsezip.ru

+7(812)987-08

The Quiet One®**Installation électrique :**

- 120 V, 50/60 Hz, 15 amps
- Utilise une prise américaine à trois broches mise à la terre.
- L'utilisation d'une prise de 20 amp par appareil est recommandée.

Ne pas utiliser de rallonge électrique avec cet appareil.

- 220 – 240 V, 50/60 Hz, 1300 – 1550 Watts
- 100 V (Japon), 50/60 Hz, 1000 Watts

Dimension du modèle posé sur le plan de travail :

- 18,0 po / 45,7 cm de haut avec couvercle fermé
- 24,5 po / 62,2 cm de haut avec couvercle ouvert
- Profondeur : 10,7 po / 27,2 cm avec poignée
- Largeur : 8,5 po / 21,6 cm

Dimension du modèle intégré au plan de travail :

- 16,5 po / 41,9 cm de haut avec couvercle fermé
- 23,0 po / 58,4 cm de haut avec couvercle ouvert
- Profondeur : 10,7 po / 27,2 cm avec poignée
- Largeur : 8,5 po / 21,6 cm
- Profondeur sous le plan de travail : 1,2 po / 3,0 cm

S'il y a lieu :



Pour découvrir la gamme complète des produits Vitamix®,
consultez vitamix.com

**Vita-Mix® Corporation
Commercial Division**

8615 Usher Road, Cleveland, Ohio 44138 É.-U.

Tél : +1 (440) 235.0214 Courriel : commercial@vitamix.com

©2012 Vita-Mix Corporation. Cette publication ne peut être reproduite ou transmise, même en partie, dans n'importe quelle forme et par n'importe quel moyen ou stockée dans une banque de données ou un système d'extraction sans la permission écrite de Vita-Mix Corporation.