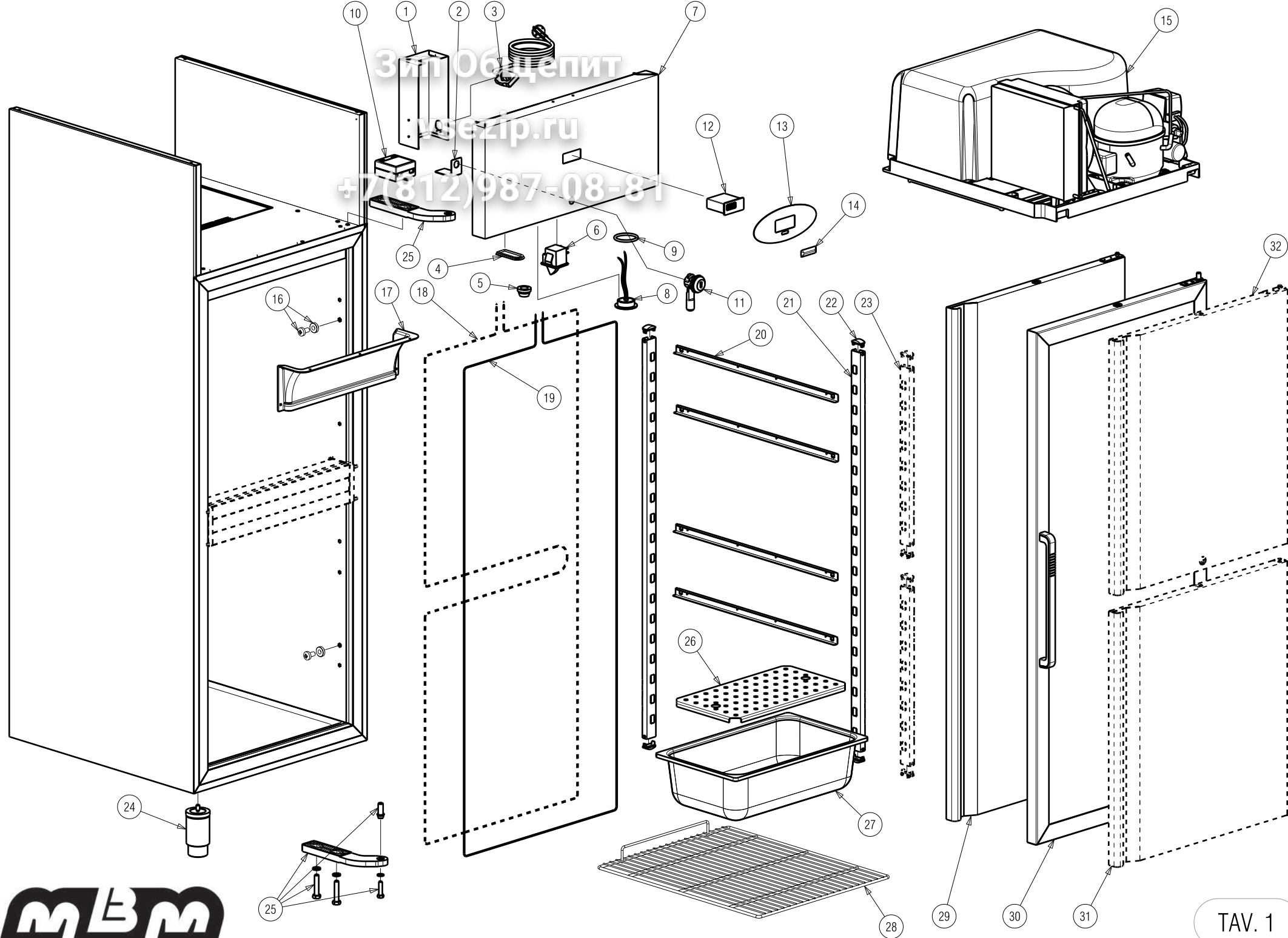


Зял Общепит

vsezip.ru

+7(812)987-08-81



TAV. 1

MODELLO MODEL MODELL MODELE	POS.	CODICE CODE CODE CODE	DESCRIZIONE	DESCRIPTION	BESCHREIBUNG	DESCRIPTION
M70...	1	025257-00R	PROTEZIONE STRUMENTO	INSTRUMENT PROTECTION	KONTROLLSCHUTZ	PROTECTION DE L'INSTRUMENTATION
M70...	2	025704-00R	RINF.SERRATURA CRUSCOTTO 700/1400 LT	DOOR-LOCK SUPPORT	TUERSCHLOSS HALTERUNG	SUPPORT POUR SERRURE PORTE
M70...	3	025124-00R	CAVO ALIM. HO5VV-F 3G1,5 L=3000 CON	POWER SUPPLY CORD	SPEISUNGSKABEL	CORDON D'ALIMENTATION
M70...	4	025193-00R	COPRIFORO ASOLA CRUSCOTTO 700/1400 LT	INSTRUMENT PANEL HOLE CAP	LOCHVERSCHLUSS FUER INSTRUMENTENTAFEL STAHL	BOUCHON COUVRE TROU - PANNEAU INSTRUMENTS
M70TPJ, M70BT.	5	025454-00R	PASSACAVO RIGIDO 2952EA00	CABLE GLAND (BUSH)	KABELVERSCHRAUBUNGEN	SERRE-CABLE
M70...	6	025063-00R	MICROINTERRUTTORE PORTA 430	DOOR MICROSWITCH	MIKROSCHALTER	MICRO-INTERRUPTEUR PORTE
M70..A	7	025614-00R	CRUSCOTTO 700 LT 430	INSTRUMENT 430 STEEL PANEL	INSTRUMENTENTAFEL 430-STAHL	PANNEAU INSTRUMENTS EN ACIER 430
M70..H		025599-00R	CRUSCOTTO 700 LT 441	INSTRUMENT 441 STEEL PANEL	INSTRUMENTENTAFEL 441-STAHL	PANNEAU INSTRUMENTS EN ACIER 441
M70..J		025181-00R	CRUSCOTTO 700 LT	INSTRUMENT S.TEEL PANEL	INSTRUMENTENTAFEL STAHL	PANNEAU INSTRUMENTS EN ACIER INOXYDABLE
M70...	8	025510-00R	FARETTO LED BIANCO GHIERA BRILLANTATA	LED SPOT-LIGHT	LED-LAMPE (WEISS LICHT)	LAMPE (LED) ECLAIRAGE
M70...	9	025684-00R	O-RING DIAM. INT. 32MM	O-RING	O-RING	O-RING
M70...	10	025511-00R	ALIMENTATORE PER FARETTO	SPOT-LIGHT AC/DC-ADAPTER	SPEISEAPPARAT FUER LED-LAMPE	ALIMENTATEUR POUR LAMPE (LED) ECLAIRAGE
M70...	11	013494-00R	SERRATURA CHIAVE UNICA CAT. TONDO	DOOR/DRAWER LOCK	TUER/SCHUBLADE SCHLOSS	SERRURE PORTE/TIROIRE
M70...	12	025057-00R	TERMOSTATO DIGITALE AT2-5BS4E-AG	DIGITAL THERMOSTAT	DIGITAL THERMOSTAT	THERMOSTAT DIGITAL
M70...	13	025119-00R	MEMBRANA OVALE VERTICALI MBM	DIGITAL CONTROLER OVAL FRAME STICKER	FESTKLEBEND SCHILD	ETIQUETTE OVALE
M70TN...	14	025019-00R	ETICHETTA RESINATA 30X10 RANGE -2/+8°C	TEMPERATURE RANGE STICKER	FESTKLEBEND TEMPERATURSCHILD	ETIQUETTE TEMPERATURES
M70TP...		025022-00R	ETICHETTA RESINATA 30X10 RANGE -6/+6°C	TEMPERATURE RANGE STICKER	FESTKLEBEND TEMPERATURSCHILD	ETIQUETTE TEMPERATURES
M70BT...		025020-00R	ETICHETTA RESINATA 30X10 RANGE -20/-10°C	TEMPERATURE RANGE STICKER	FESTKLEBEND TEMPERATURSCHILD	ETIQUETTE TEMPERATURES
M70TN.	15 (TAV.4)	025587-00R	UNITÀ ST54PLR 700LT -2/+8°C ML60TB R404A	UNIT ST54PLR 700LT -2/+8°C ML60TB R404A	EINHEIT ST54PLR 700LT -2/+8°C ML60TB R404A	UNITE ST54PLR 700LT -2/+8°C ML60TB R404A
M70TN. 60HZ		025455-00R	UNITÀ ST54PLR 700LT -2/+8°C ML60TG R404A 50/60 HZ	UNIT ST54PLR 700LT -2/+8°C ML60TG R404A 50/60 HZ	EINHEIT ST54PLR 700LT -2/+8°C ML60TG R404A 50/60 HZ	UNITE ST54PLR 700LT -2/+8°C ML60TG R404A 50/60 HZ
M70TPJ		025588-00R	UNITÀ ST54PHR 1400LT-2/+8°C ML90TB R404A	UNIT ST54PHR 1400LT-2/+8°C ML90TB R404A	EINHEIT ST54PHR 1400LT-2/+8°C ML90TB R404A	UNITE ST54PHR 1400LT-2/+8°C ML90TB R404A
M70TPJ 60HZ		025456-00R	UNITÀ ST54PHR 1400LT -2/+8°C ML90TG R404A 50/60 HZ	UNIT ST54PHR 1400LT -2/+8°C ML90TG R404A 50/60 HZ	EINHEIT ST54PHR 1400LT -2/+8°C ML90TG R404A 50/60 HZ	UNITE ST54PHR 1400LT -2/+8°C ML90TG R404A 50/60 HZ
M70BT.		025589-00R	UNITÀ ST54NLR 700LT -15/-22°C MX21FB	UNIT ST54NLR 700LT -15/-22°C MX21FB	EINHEIT ST54NLR 700LT -15/-22°C MX21FB	UNITE ST54NLR 700LT -15/-22°C MX21FB
M70BT. 60HZ		025457-00R	UNITÀ ST54NLR 700LT -15/-22 MX21FG R404A 50/60 HZ	UNIT ST54NLR 700LT -15/-22 MX21FG R404A 50/60 HZ	EINHEIT ST54NLR 700LT -15/-22 MX21FG R404A 50/60 HZ	UNITE ST54NLR 700LT -15/-22 MX21FG R404A 50/60 HZ
M70...	16	025725-00R	KIT VITERIE FISSAGGIO CREMAGLIERE	UP-RIGHT SUPPORT SCREWS/FITTINGS KIT	SCHRAUBEN SATZ FUR SCHIENENHALTERUNG	ENSAMBLE DE VIS POUR SUPPORTES GLISSIÈRES
M70TPJ, M70BT.	17	025512-00R	CONVOGLIATORE AD ANGOLO IN POLISTIROLO	CABINET AIR-CONVEYOR	ZELLE-LUFTVERTEILER	CONVOYEUR D'AIR DE CUVE
M70TPJH, M70BT.H..	18	025744-00R	RES. W 230V CORNICI 700 LT 1/2 PORTE	1/2-DOOR FRAME HEATER	TUERRAHMENHEIZUNG	RESISTANCE PORTE
M70TPJ, M70BT.	19	025465-00R	RESISTENZA 20W 230V CORNICI 700 LT	DOOR FRAME HEATER	TUERRAHMENHEIZUNG	RESISTANCE PORTE
M70...	20	CG70	COPPIA GUIDE DX-SX GN 2/1 700/1400 LT	COUPLE OF SLIDES	PAAR GLEITSCHIENEN	PAIRE DE GLISSIÈRES
M70...	21	025182-00R	CREMAGLIERA SUPPORTO GRIGLIE	UP-RIGHT SLIDE SUPPORT	SCHIENENHALTERUNG	SUPPORT GLISSIÈRE
M70... (1)		025702-00R	CREMAGLIERA SUPPORTO GRIGLIE	UP-RIGHT SLIDE SUPPORT	SCHIENENHALTERUNG	SUPPORT GLISSIÈRE
M70...	22	025185-00R	COPRITESTA CREMAGLIERA	UP-RIGHT SLIDE SUPPORT PLASTIC COVER	SCHIENENHALTERUNG	BOUCHON EN PLASTIQUE - SUPPORT GLISSIÈRE
M70...H	23	025703-00R	CREMAGLIERA SUPPORTO GRIGLIE MEZZE PORTE	UP-RIGHT SLIDE SUPPORT (2 HALF-DOOR SET)	SCHIENENHALTERUNG (2 1/2-TURE MODELL)	SUPPORT GLISSIÈRE (VERSION 2 1/2-PORTE)
M70..H, M70..A	24	025170-00R	ASSIEME PIEDE PLASTICA M10 ESC. 115-165	PLASTIC LEG	PLASTIKFUSS	PIED EN PLASTIQUE
M70..J		025646-00R	ASS. PIEDE INOX M10 ESC. 115-165	S.STEEL LEG	INOX FUSSE	PIED EN ACIER INOXYDABLE
M70...	25	025726-00R	KIT STAFFA CERNIERA PORTA (+PERNO+VITERIA)	DOOR-HINGING SUPPORT KIT (+PIN+SCREWS)	TURE HALTERUNG SATZ (+BOLZEN+SCHRAUBEN)	ENSAMBLE DE SUPPORT POUR PORTE, PIVOT, VIS

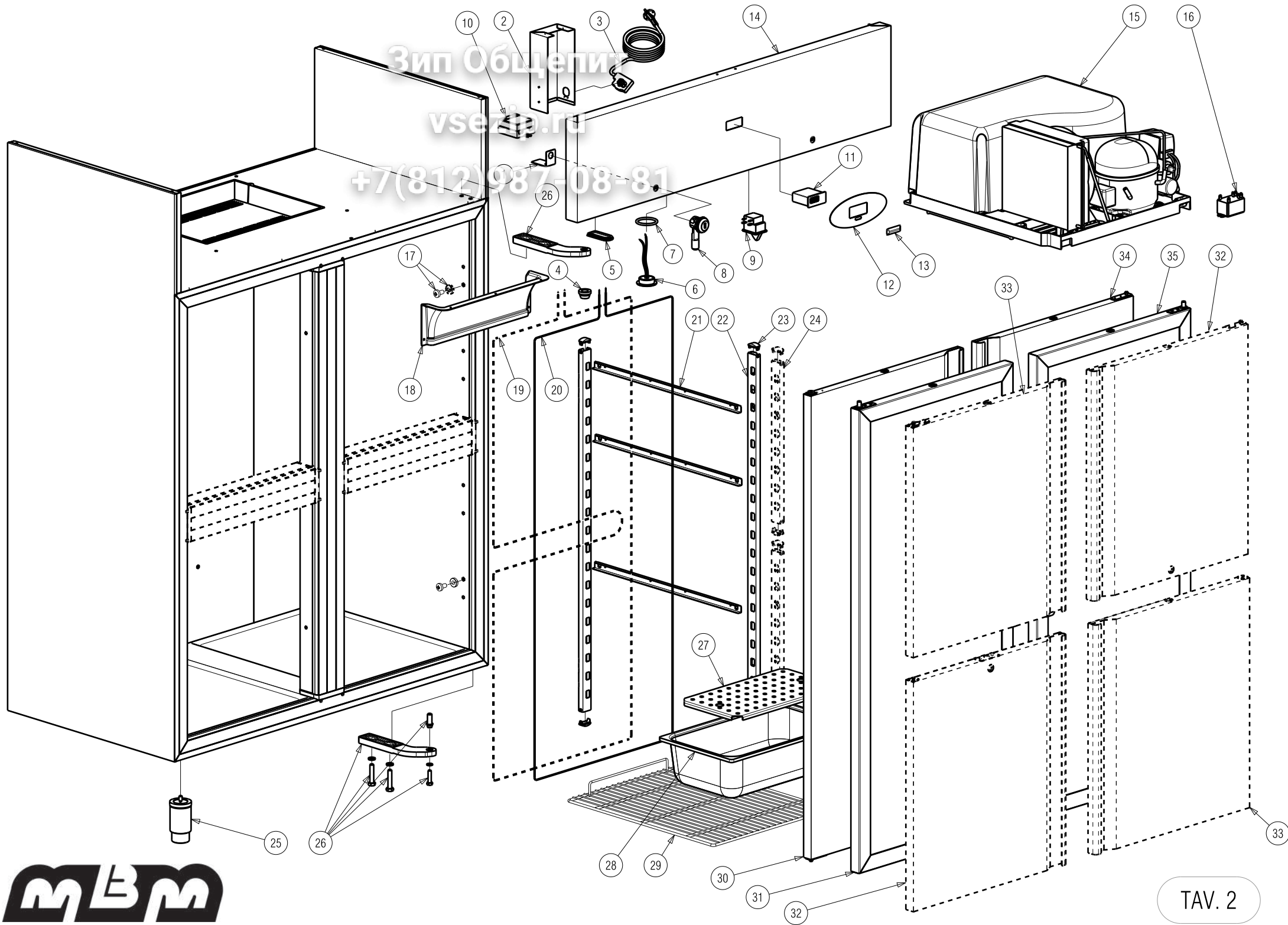
(1) DA MATR. 351654 (25/03/2009)

(1) STARTING FROM SN. 351654 (25/03/2009)

(1) VOM SERIEN. 351654 (25/03/2009)

(1) A PARTIR DE MATR. 351654 (25/03/2009)

MODELLO MODEL MODELL MODELE	POS.	CODICE CODE KODE CODE	DESCRIZIONE	DESCRIPTION	BESCHREIBUNG	DESCRIPTION
M70TPJ	26	011593-00R	FALSO FONDO FORATO BACINELLE GN 1/1	GN1/1 TRAY PERFORATED S.STEEL BOTTOM	GELOCHTER EINSATZBODEN FÜR BEHÄLTER GN1/1	FOND PERFORE POUR BAC GN1/1
M70TPJ	27	0A011-12-150	BACINELLA GN 1/1 530X325 H150 PST BIANCO	GN1/1 WHITE PLASTIC TRAY	WEISSE PLASTIK BEHÄLTER GN1/1	BAC BLANC GN1/1
M70TN., M70BT.	28	025186-00R	RIPIANO GRIGLIATO PLASTIFICATO GN 2/1	PLASTIC-COATED SHELF GN2/1	REGAL GN2/1 KUNSTSTOFFBESCHICHTET	CLAYETTE GN2/1 EN PLASTIQUE
M70..A	29	025632-00R	ASS. PORTA DX COMPLETA MBM S. 430/AL	COMPLETE RIGHT-HAND 430/AL DOOR	KOMPLETTE RECHTSÖFFNENDE 430/AL TÜR	ENSEMBLE PORTE 430/AL DROITE
M70..H	29	025600-00R	ASS. PORTA DX COMPLETA MBM 441	COMPLETE RIGHT-HAND 441 DOOR	KOMPLETTE RECHTSÖFFNENDE 441 TÜR	ENSEMBLE PORTE 441 DROITE
M70..J		025531-00R	ASS. PORTA DX COMPLETA MBM	COMPLETE RIGHT-HAND DOOR	KOMPLETTE RECHTSÖFFNENDE TÜR	ENSEMBLE PORTE DROITE
M70TN...G	30	025745-00R	ASS. PORTA INTERA VETRO TN DX	COMPLETE RIGHT-HAND GLASS-DOOR	KOMPLETTE RECHTSÖFFNENDE GLASTÜR	ENSEMBLE PORTE EN VERRE DROITE
M70BT...G		025747-00R	ASS. PORTA INTERA VETRO BT DX	COMPLETE RIGHT-HAND GLASS-DOOR (-18°C)	KOMPLETTE RECHTSÖFFNENDE GLASTÜR (-18°C)	ENSEMBLE PORTE EN VERRE (-18°C) DROITE
M70..AH	31	MPM-INFDX-A	ASS. PORTA INFERIORE DX 430 COMPLETA DEXION	COMPLETE LOWER RIGHT-HAND 430 DOOR	KOMPLETTE UNTERE RECHTSÖFFNENDE 430 TÜR	ENSEMBLE PORTE DROITE INFERIEUR 430
M70..HH		MPM-INFDX-H	ASS. PORTA INFERIORE DX 441 COMPLETA DEXION	COMPLETE LOWER RIGHT-HAND 441 DOOR	KOMPLETTE UNTERE RECHTSÖFFNENDE 441 TÜR	ENSEMBLE PORTE DROITE INFERIEUR 441
M70..JH		MPM-INFDX-J	ASS. PORTA INFERIORE DX COMPLETA DEXION	COMPLETE LOWER RIGHT-HAND DOOR	KOMPLETTE UNTERE RECHTSÖFFNENDE TÜR	ENSEMBLE PORTE DROITE INFERIEUR
M70..AH	32	MPM-SUPDX-A	ASS. PORTA SUPERIORE DX 430 COMPLETA DEXION	COMPLETE UPPER RIGHT-HAND 430 DOOR	KOMPLETTE OBERE RECHTSÖFFNENDE 430 TÜR	ENSEMBLE PORTE DROITE SUPERIEUR 430
M70..HH		MPM-SUPDX-H	ASS. PORTA SUPERIORE DX 441 COMPLETA DEXION	COMPLETE UPPER RIGHT-HAND 441 DOOR	KOMPLETTE OBERE RECHTSÖFFNENDE 441 TÜR	ENSEMBLE PORTE DROITE SUPERIEUR 441
M70..JH		MPM-SUPDX-J	ASS. PORTA SUPERIORE DX COMPLETA DEXION	COMPLETE UPPER RIGHT-HAND DOOR	KOMPLETTE OBERE RECHTSÖFFNENDE TÜR	ENSEMBLE PORTE DROITE SUPERIEUR



MODELLO MODEL MODELL MODELE	POS.	CODICE CODE KODE CODE	DESCRIZIONE	3иn OБЩEИT DESCRIPTION	BESCHREIBUNG	DESCRIPTION
--------------------------------------	------	--------------------------------	-------------	------------------------------	--------------	-------------

M140...	1	025704-00R	RINF.SERRATURA CRUSCOTTO 700/1400 LT	DOOR LOCK SUPPORT	TUERSCHLOSS HALTERUNG	SUPPORT POUR SERRURE PORTE
M140...	2	025257-00R	PROTEZIONE STRUMENTO	INSTRUMENT PROTECTION	KONTROLLSCHUTZ	PROTECTION DE L'INSTRUMENTATION
M140...	3	025124-00R	CAVO ALIM. HO5VV-F 3G1,5 L=3000 CON	POWER SUPPLY CORD	SPEISUNGSKABEL	CORDON D'ALIMENTATION
M140TPJ... M140BT..	4	025454-00R	PASSACAVO RIGIDO 2952EA00	CABLE GLAND (BUSH)	KABELVERSCHRAUBUNGEN	SERRE-CABLE
M140...	5	025193-00R	COPRIFORO ASOLA CRUSCOTTO 700/1400 LT	INSTRUMENT PANEL HOLE CAP	LOCHVERSCHLUSS FUER INSTRUMENTENTAFEL STAHL	BOUCHON COUVRE TROU - PANNEAU INSTRUMENTS
M140...	6	025510-00R	FARETTO LED BIANCO GHIERA BRILLANTATA	LED SPOT-LIGHT	LED-LAMPE (WEISS LICHT)	LAMPE (LED) ECLAIRAGE
M140...	7	025684-00R	O-RING DIAM. INT. 32MM	O-RING	O-RING	O-RING
M140...	8	013494-00R	SERRATURA CHIAVE UNICA CAT. TONDO	DOOR/DRAWER LOCK	TUER/SCHUBLADE SCHLOSS	SERRURE PORTE/TIROIRE
M140...	9	025063-00R	MICROINTERRUTTORE PORTA H3141AAK	DOOR MICROSWITCH	MIKROSCHALTER	MICRO-INTERRUPTEUR PORTE
M140...	10	025511-00R	ALIMENTATORE PER FARETTO	SPOT-LIGHT AC/DC-ADAPTER	SPEISEAPPARAT FUER LED-LAMPE	ALIMENTATEUR POUR LAMPE (LED) ECLAIRAGE
M140...	11	025057-00R	TERMOSTATO DIGITALE AT2-5BS4E-AG	DIGITAL THERMOSTAT	DIGITAL THERMOSTAT	THERMOSTAT DIGITAL
M140...	12	025119-00R	MEMBRANA OVALE VERTICALI MBM	DIGITAL CONTROLER OVAL FRAME STICKER	FESTKLEBEND SCHILD	ETIQUETTE OVALE
M140TN...	13	025019-00R	ETICHETTA RESINATA 30X10 RANGE -2/+8°C	TEMPERATURE RANGE STICKER	FESTKLEBEND TEMPERATURSCHILD	ETIQUETTE TEMPERATURES
M140TP...		025022-00R	ETICHETTA RESINATA 30X10 RANGE -6/+6°C	TEMPERATURE RANGE STICKER	FESTKLEBEND TEMPERATURSCHILD	ETIQUETTE TEMPERATURES
M140BT...		025020-00R	ETICHETTA RESINATA 30X10 RANGE -20/-10°C	TEMPERATURE RANGE STICKER	FESTKLEBEND TEMPERATURSCHILD	ETIQUETTE TEMPERATURES
M140..A	14	025615-00R	CRUSCOTTO 1400 LT 430	INSTRUMENT 430 STEEL PANEL	INSTRUMENTENTAFEL 430-STAHL	PANNEAU INSTRUMENTS EN ACIER 430
M140..H		025613-00R	CRUSCOTTO 1400 LT 441	INSTRUMENT 441 STEEL PANEL	INSTRUMENTENTAFEL 441-STAHL	PANNEAU INSTRUMENTS EN ACIER 441
M140..J		025274-00R	CRUSCOTTO 1400 LT	INSTRUMENT S.TEEL PANEL	INSTRUMENTENTAFEL STAHL	PANNEAU INSTRUMENTS EN ACIER
M140TN.	15 (TAV.4)	025588-00R	UNITÀ ST54PHR 1400LT-2/+8°C ML90TB R404A	UNIT ST54PHR 1400LT-2/+8°C ML90TB R404A	EINHEIT ST54PHR 1400LT-2/+8°C ML90TB R404A	UNITE ST54PHR 1400LT-2/+8°C ML90TB R404A
M140TN. 60HZ		025456-00R	UNITÀ ST54PHR 1400LT -2/+8°C ML90TG R404A 50/60 HZ	UNIT ST54PHR 1400LT -2/+8°C ML90TG R404A 50/60 HZ	EINHEIT ST54PHR 1400LT -2/+8°C ML90TG R404A 50/60 HZ	UNITE ST54PHR 1400LT -2/+8°C ML90TG R404A 50/60 HZ
M140TPJ		025589-00R	UNITÀ ST54NLR 700LT -15/-22°C MX21FB	UNIT ST54NLR 700LT -15/-22°C MX21FB	EINHEIT ST54NLR 700LT -15/-22°C MX21FB	UNITE ST54NLR 700LT -15/-22°C MX21FB
M140TPJ 60HZ		025457-00R	UNITÀ ST54NLR 700LT -15/-22 MX21FG R404A 50/60 HZ	UNIT ST54NLR 700LT -15/-22 MX21FG R404A 50/60 HZ	EINHEIT ST54NLR 700LT -15/-22 MX21FG R404A 50/60 HZ	UNITE ST54NLR 700LT -15/-22 MX21FG R404A 50/60 HZ
M140BT.		025590-00R	UNITÀ ST54NHR 1400LT -15/-22°C MS34FB	UNIT ST54NHR 1400LT -15/-22°C MS34FB	EINHEIT ST54NHR 1400LT -15/-22°C MS34FB	UNITE ST54NHR 1400LT -15/-22°C MS34FB
M140BT. 60HZ		025459-00R	UNITÀ ST54NHR 1400LT -15/-22 MS30FG R404A 60 HZ	UNIT ST54NHR 1400LT -15/-22 MS30FG R404A 60 HZ	EINHEIT ST54NHR 1400LT -15/-22 MS30FG R404A 60 HZ	UNITE ST54NHR 1400LT -15/-22 MS30FG R404A 60 HZ
M140BT.	16	022547-00R	RELE' DI POTENZA FINDER 30A PER AB	RELAY	RELAIS	RELAIS
M140...	17	025725-00R	KIT VITERIE FISSAGGIO CREMAGLIERE	UP-RIGHT SUPPORT SCREWS/FITTINGS KIT	SCHRAUBEN SATZ FUR SCHIENENHALTERUNG	ENSAMBLE DE VIS POUR SUPPORTES GLISSIÈRES
M140TPJ, M140BT.	18	025512-00R	CONVOGLIATORE AD ANGOLO IN POLISTIROLO	CABINET AIR-CONVEYOR	ZELLE-LUFTVERTEILER	CONVOYEUR D'AIR DE CUVE
M140TPJH2, M140BT.H2	19	025744-00R	RES. W 230V CORNICI 700 LT 1/2 PORTE	1/2-DOOR FRAME HEATER	TUERRAHMENHEIZUNG	RESISTANCE PORTE
M140TPJ, M140BT.	20	025465-00R	RESISTENZA 20W 230V CORNICI 700 LT	DOOR FRAME HEATER	TUERRAHMENHEIZUNG	RESISTANCE PORTE
M140...	21	CG70	COPPIA GUIDE DX-SX GN 2/1 700/1400 LT	COUPLE OF SLIDES	PAAR GLEITSCHIENEN	PAIRE DE GLISSIÈRES
M140...	22	025182-00R	CREMAGLIERA SUPPORTO GRIGLIE	UP-RIGHT SLIDE SUPPORT	SCHIENENHALTERUNG	SUPPORT GLISSIÈRE
M140... (1)		025702-00R	CREMAGLIERA SUPPORTO GRIGLIE	UP-RIGHT SLIDE SUPPORT	SCHIENENHALTERUNG	SUPPORT GLISSIÈRE
M140...	23	025185-00R	COPRITESTA CREMAGLIERA	UP-RIGHT SLIDE SUPPORT PLASTIC COVER	SCHIENENHALTERUNG	BOUCHON EN PLASTIQUE - SUPPORT GLISSIÈRE
M140...H2	24	025703-00R	CREMAGLIERA SUPPORTO GRIGLIE MEZZE PORTE	UP-RIGHT SLIDE SUPPORT (2 HALF-DOOR SET)	SCHIENENHALTERUNG (2 1/2-TURE MODELL)	SUPPORT GLISSIÈRE (VERSION 2 1/2-PORTE)
M140..H, M140..A	25	025170-00R	ASSIEME PIEDE PLASTICA M10 ESC. 115-165	PLASTIC LEG	PLASTIKFUSS	PIED EN PLASTIQUE
M140..J		025646-00R	ASS. PIEDE INOX M10 ESC. 115-165	S.STEEL LEG	INOX FUSSE	PIED EN ACIER INOXYDABLE
M140...	26	025726-00R	KIT STAFFA CERNIERA PORTA (+PERNO+VITERIA)	DOOR-HINGING SUPPORT KIT (+PIN+SCREWS)	TURE HALTERUNG SATZ (+BOLZEN+SCHRAUBEN)	ENSAMBLE DE SUPPORT POUR PORTE, PIVOT, VIS

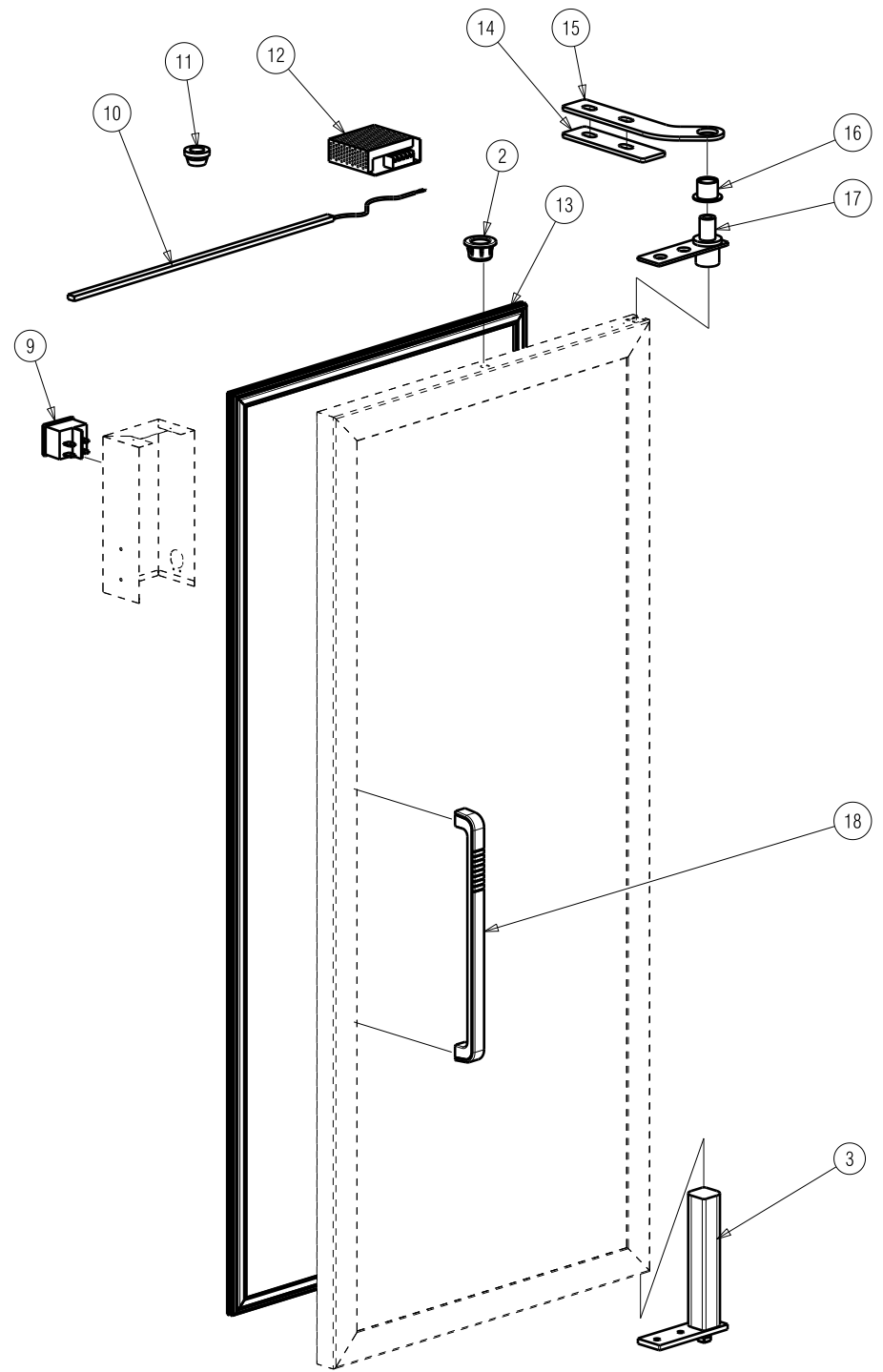
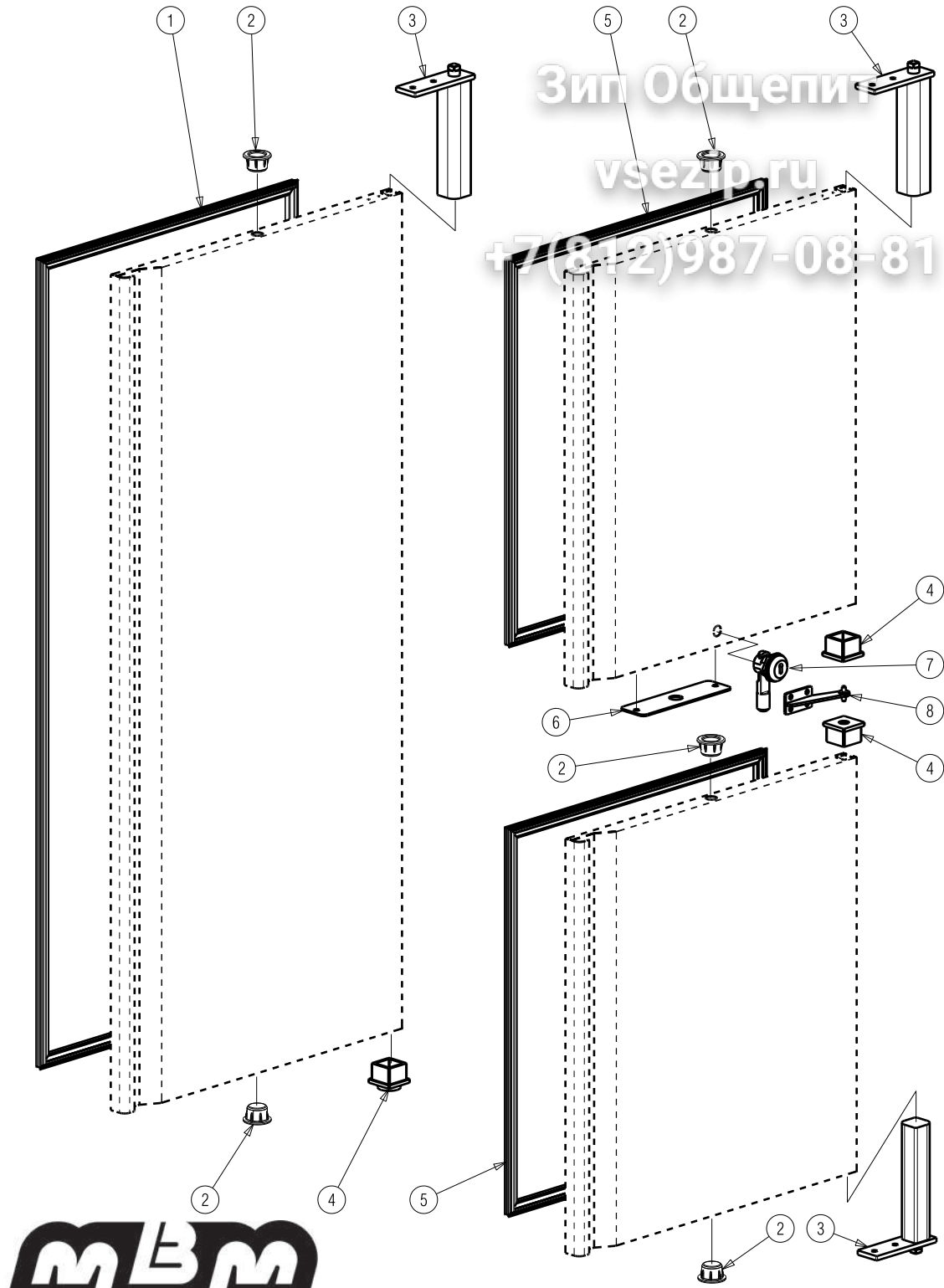
(1) DA MATR. 351654 (25/03/2009)

(1) STARTING FROM SN. 351654 (25/03/2009)

(1) VOM SERIEN. 351654 (25/03/2009)

(1) A PARTIR DE MATR. 351654 (25/03/2009)

MODELLO MODEL MODELL MODELE	POS.	CODICE CODE KODE CODE	DESCRIZIONE	DESCRIPTION	BESCHREIBUNG	DESCRIPTION
M140TPJ	27	011593-00R	FALSO FONDO FORATO BACINELLE GN 1/1	GN1/1 TRAY PERFORATED S.STEEL BOTTOM	GELOCHTER EINSATZBODEN FUR BEHAELTER GN1/1	FOND PERFORE POUR BAC GN1/1
M140TPJ	28	0A011-12-150	BACINELLA GN 1/1 530X325 H150 PST BIANCO	GN1/1 WHITE PLASTIC TRAY	WEISSE PLASTIK BEHAELTER GN1/1	BAC BLANC GN1/1
M140TN., M140BT.	29	025186-00R	RIPIANO GRIGLIATO PLASTIFICATO GN 2/1	PLASTIC-COATED SHELF GN2/1	REGAL GN2/1 KUNSTSTOFFBESCHICHTET	CLAYETTE GN2/1 EN PLASTIQUE
M140..A	30	025633-00R	ASS. PORTA SX COMPLETA MBM S4/AL	COMPLETE LEFT-HAND 430/AL DOOR	KOMPLETTE LINKSÖFFNENDE 430/AL TÜR	ENSEMBLE PORTE 430/AL GAUCHE
M140..H	30	025605-00R	ASS. PORTA SX COMPLETA MBM 441	COMPLETE LEFT-HAND 441 DOOR	KOMPLETTE LINKSÖFFNENDE 441 TÜR	ENSEMBLE PORTE 441 GAUCHE
M140..J		025535-00R	ASS. PORTA SX COMPLETA MBM	COMPLETE LEFT-HAND DOOR	KOMPLETTE LINKSÖFFNENDE TÜR	ENSEMBLE PORTE GAUCHE
M140TN...G		025746-00R	ASS. PORTA INTERA VETRO TN SX	COMPLETE LEFT-HAND GLASS-DOOR	KOMPLETTE LINKSÖFFNENDE GLASTÜR	ENSEMBLE PORTE EN VERRE GAUCHE
M140BT...G	31	025748-00R	ASS. PORTA INTERA VETRO BT SX	COMPLETE LEFT-HAND GLASS-DOOR (-18°C)	KOMPLETTE LINKSÖFFNENDE GLASTÜR (-18°C)	ENSEMBLE PORTE EN VERRE (-18°C) GAUCHE
M140..AH2	32	MPM-SUPDX-A	ASS. PORTA SUPERIORE DX 430 COMPLETA DEXION	COMPLETE UPPER RIGHT-HAND 430 DOOR	KOMPLETTE OBERE RECHTSÖFFNENDE 430 TÜR	ENSEMBLE PORTE DROITE SUPERIEUR 430
M140..HH2		MPM-SUPDX-H	ASS. PORTA SUPERIORE DX 441 COMPLETA DEXION	COMPLETE UPPER RIGHT-HAND 441 DOOR	KOMPLETTE OBERE RECHTSÖFFNENDE 441 TÜR	ENSEMBLE PORTE DROITE SUPERIEUR 441
M140..JH2		MPM-SUPDX-J	ASS. PORTA SUPERIORE DX COMPLETA DEXION	COMPLETE UPPER RIGHT-HAND DOOR	KOMPLETTE OBERE RECHTSÖFFNENDE TÜR	ENSEMBLE PORTE DROITE SUPERIEUR
M140..AH2	33	MPM-INFDX-A	ASS. PORTA INFERIORE DX 430 COMPLETA DEXION	COMPLETE LOWER RIGHT-HAND 430 DOOR	KOMPLETTE UNTERE RECHTSÖFFNENDE 430 TÜR	ENSEMBLE PORTE DROITE INFERIEUR 430
M140..HH2		MPM-INFDX-H	ASS. PORTA INFERIORE DX 441 COMPLETA DEXION	COMPLETE LOWER RIGHT-HAND 441 DOOR	KOMPLETTE UNTERE RECHTSÖFFNENDE 441 TÜR	ENSEMBLE PORTE DROITE INFERIEUR 441
M140..JH2		MPM-INFDX-J	ASS. PORTA INFERIORE DX COMPLETA DEXION	COMPLETE LOWER RIGHT-HAND DOOR	KOMPLETTE UNTERE RECHTSÖFFNENDE TÜR	ENSEMBLE PORTE DROITE INFERIEUR
M140..A	34	025632-00R	ASS. PORTA DX COMPLETA MBM S4/AL	COMPLETE RIGHT-HAND 430/AL DOOR	KOMPLETTE RECHTSÖFFNENDE 430/AL TÜR	ENSEMBLE PORTE 430/AL DROITE
M140..H		025600-00R	ASS. PORTA DX COMPLETA MBM 441	COMPLETE RIGHT-HAND 441 DOOR	KOMPLETTE RECHTSÖFFNENDE 441 TÜR	ENSEMBLE PORTE 441 DROITE
M140..J		025531-00R	ASS. PORTA DX COMPLETA MBM	COMPLETE RIGHT-HAND DOOR	KOMPLETTE RECHTSÖFFNENDE TÜR	ENSEMBLE PORTE DROITE
M140TN...G	35	025745-00R	ASS. PORTA INTERA VETRO TN DX	COMPLETE RIGHT-HAND GLASS-DOOR	KOMPLETTE RECHTSÖFFNENDE GLASTÜR	ENSEMBLE PORTE EN VERRE DROITE
M140BT...G		025747-00R	ASS. PORTA INTERA VETRO BT DX	COMPLETE RIGHT-HAND GLASS-DOOR (-18°C)	KOMPLETTE RECHTSÖFFNENDE GLASTÜR (-18°C)	ENSEMBLE PORTE EN VERRE (-18°C) DROITE

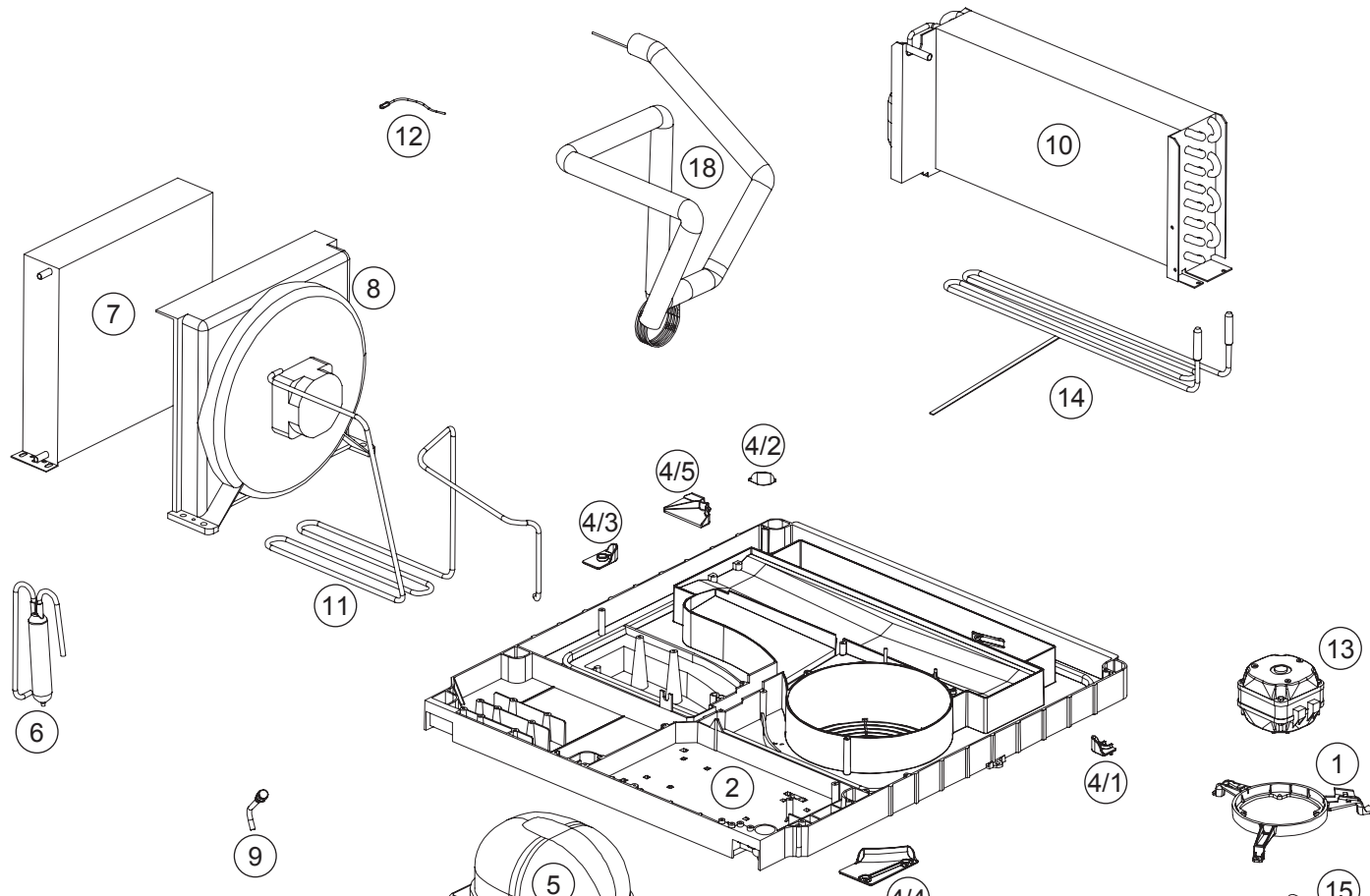
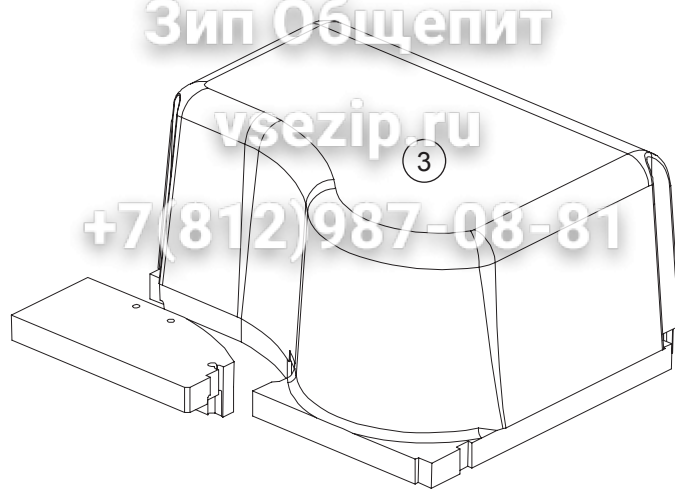


MODELLO MODEL MODELL MODELE	POS.	CODICE CODE KODE CODE	DESCRIZIONE	DESCRIPTION	BESCHREIBUNG	DESCRIPTION
M70..., M140...	1	025178-00R	GUARNIZ. MAGNETICA GRIGIA 1328 1474X631	DOOR SEAL	TUER DICHTUNG	JOINT PORTE
M70..., M140...	2	025177-00R	INSERTO SERRATURA DIAM.15	DOOR LOCK	TUERSCHLOSS	SERRURE PORTE
M70..., M140...	3	022104-00R	CERNIERA PER PORTA	DOOR HINGE	SCHARNIER TÜR	CHARNIÈRE PORTE
M70..., M140...	4	022105-00R	TAPPO PER CERNIERA PORTA	DOOR TAP FOR SUPPORT	KUNSTOFF STOPFEN FUER TÜRSCHARNIER	BOUCHON POUR CHARNIÈRE PORTE
M70...H,	5	025669-00R	GUARNIZ. MAGNETICA GRIGIA 1328 707X631	HALF-DOOR SEAL	1/2 TUER DICHTUNG	JOINT PORTILLON
M70...H,	6	025549-00R	PIASTRINA PER SERRATURA MEZZE PORTE	STEEL COVER FOR DOOR LOCK	TUERSCHLOSSBLECH	PLAQUE POUR SERRURE PORTE
M70..., M140...	7	013494-00R	SERRATURA CHIAVE UNICA CAT. TONDO	DOOR K/WER LOCK	TUER/SCHUBLADE SCHLOSS	SERRURE PORTE/TIROIRE
M70...H, M140...H	8	025667-00R	ASS. CERNIERA INTERMEDIA MEZZE PORTE	MIDDLE HINGE (2 HALF-DOOR SET)	MITTLEREN SCHARNIER (2 1/2-TURE MODELL)	CHARNIERE INTERM. (VERSION 2 1/2-PORTES)
M70...G, M140...G	9	012731-00R	INTERRUTTORE BIPOLARE LUMINOSO TVF/CN B01	MAIN SWITCH, GREEN	HAUPTSCHALTER, GRUEN	INTERR.GENERAL VERT
M70...G, M140...G	10	025683-00R	BARRA 30 LED LUCE BIANCA	30-LED WHITE-LIGHT ROD	STANGE 30-LED WEISS LICHT	LAMPE 30-LED ECLAIRAGE
M70...G, M140...G	11	025454-00R	PASSACAVO RIGIDO 2952EA00	CABLE GLAND (BUSH)	KABELVERSCHRAUBUNGEN	SERRE-CABLE
M70...G, M140...G	12	025682-00R	ALIMENTATORE AC/DC 230VAC/2 1A S25-12	30-LED LIGHT AC/DC-ADAPTER	SPEISEAPPARAT FUER STANGE 30-LED	ALIMENTATEUR POUR LAMPE (30-LED) ECLAIRAGE
M70...G, M140...G	13	025749-00R	GUARNIZIONE PORTA VETRO	GLASS-DOOR SEAL	DICHTUNG FUER GLASTUER	JOINT PORTE VITREE
M70...G, M140...G	14	025652-00R	STAFFA SUP. L=89 PER PORTA VETRO	UPPER HINGING SUPPORT - GLASS-DOOR	OBERE SCHARNIER HALTERUNG - GLASTUR	SUPPORT CHARNIÈRE SUPÉRIEUR - PORTE EN VERRE
M70...G, M140...G	15	025651-00R	STAFFA SUP. L=136 PER PORTA VETRO	UPPER HINGING SUPPORT - GLASS-DOOR	OBERE SCHARNIER HALTERUNG - GLASTUR	SUPPORT CHARNIÈRE SUPÉRIEUR - PORTE EN VERRE
M70...G, M140...G	16	025655-00R	BUSSOLA IN PLASTICA PER Basetta	PLASTIC BUSH - UPPER CHROMED SUPPORT	PLASTIK LAGERBUCHSE - OBERE HALTERUNG VERCHROMT	PLASTIQUE JOINT - SUPPORT CHROME SUPÉRIEUR
M70...G, M140...G	17	025654-00R	Basetta Passacavo in Zama Cromata	UPPER CHROMED SUPPORT WITH CABLE- HOLE	OBERE HALTERUNG VERCHROMT MIT LOCH FUR KABEL	SUPPORT CHROMÉ SUPÉRIEUR AVEC
M70...G, M140...G	18	012257-00R	MANIGLIA CROMATA COMPLETA - FV PORTA VETRO	GLASS-DOOR HANDLE	GLASTUERGRIFF	POIGNEE

Зип Общепит

vsezip.ru

+7(812)987-08-81



MODELLO MODEL MODELL MODELE	POS.	CODICE CODE CODE CODE	DESCRIZIONE	DESCRIPTION	BESCHREIBUNG	DESCRIPTION
M70...., M140...	1	025752-00R	SUPPORTO VENTILATORE EVAPORATORE	EVAPORATOR FAN HOLDER	VERDAMPFER VENTILATORHALTERUNG	SUPPORT VENTILATEUR EVAPORATEUR
M70...., M140...	2	025753-00R	BASE UNITA' REFRIGERANTE	COOLING UNIT BASE	KUEHLEINHEIT UNTERGESTELL	BASE GROUPE REFRIGERATION
M70...., M140...	3	025754-00R	COPERTURA NERA	EVAPORATOR COVER	VERDAMPFERABDECKUNG	COUVERCLE EVAPORATEUR
M70...., M140...	4/1	025755-00R	PIASTRINA BLOCCAGGIO COPERTURA D	COVER LOCKING-PLATE PD	DECKEL LEMMPLATTECHEN PD	PLAQUE BLOCAGE COUVERCLE PD
M70...., M140...	4/2	025756-00R	PIASTRINA BLOCCAGGIO COPERTURA PS	COVER LOCKING-PLATE PS	DECKEL LEMMPLATTECHEN PS	PLAQUE BLOCAGE COUVERCLE PS
M70...., M140...	4/3	025757-00R	PIASTRINA BLOCCAGGIO COPERTURA AS	COVER LOCKING-PLATE AS	DECKEL LEMMPLATTECHEN AS	PLAQUE BLOCAGE COUVERCLE AS
M70...., M140...	4/4	025758-00R	PIASTRINA BLOCCAGGIO COPERTURA AD	COVER LOCKING-PLATE AD	DECKEL LEMMPLATTECHEN AD	PLAQUE BLOCAGE COUVERCLE AD
M70...., M140...	4/5	025759-00R	PIASTRINA BLOCCAGGIO COPERTURA AC	COVER LOCKING-PLATE AC	DECKEL LEMMPLATTECHEN AC	PLAQUE BLOCAGE COUVERCLE AC
M70TN. 60HZ	5	025767-00R	COMPRESSORE ACC ML60TG 220/230V 50/60HZ	COMPRESSOR	KOMPRESSOR	COMPRESSEUR
M70TPJ, M140TN.		025772-00R	COMPRESSORE ACC ML 90 TB	COMPRESSOR	KOMPRESSOR	COMPRESSEUR
M70TPJ 60HZ, M140TN. 60HZ		025768-00R	COMPRESSORE ACC ML90TG 220/230V 50/60HZ	COMPRESSOR	KOMPRESSOR	COMPRESSEUR
M70BT., M140TPJ		025765-00R	COMPRESSORE ACC MX 21 FB	COMPRESSOR	KOMPRESSOR	COMPRESSEUR
M70BT. 60HZ, M140TPJ 60HZ		025769-00R	COMPRESSORE ACC MX21FG 220/240V 50/60HZ	COMPRESSOR	KOMPRESSOR	COMPRESSEUR
M140BT.		025766-00R	COMPRESSORE ACC MS 34 FB	COMPRESSOR	KOMPRESSOR	COMPRESSEUR
M140BT. 60HZ		025770-00R	COMPRESSORE ACC MS30FG 230V 60HZ	COMPRESSOR	KOMPRESSOR	COMPRESSEUR
M70T..., M140TN.	6	025773-00R	FILTRO DEIDRATORE 15g	FILTER DRIER	TROCKNER	FILTRE SECHANT
M70BT., M140TPJ, M140BT		025774-00R	FILTRO DEIDRATORE 30g	FILTER DRIER	TROCKNER	FILTRE SECHANT
M70TPJ, M140TN.	7	025775-00R	CONDENSATORE STFT16224	CONDENSER	VERFLÜSSIGER	CONDENSEUR
M70BT., M140TPJ, M140BT		025776-00R	CONDENSATORE STFT18227	CONDENSER	VERFLÜSSIGER	CONDENSEUR
M70TN.		025777-00R	CONDENSATORE STFT16124	CONDENSER	VERFLÜSSIGER	CONDENSEUR
M70T..., M140TN.	8	025761-00R	GRUPPO ELETTROVENTILANTE CF24	CONDENSER FAN SET	VENTILEINHEIT	GROUPE VENTILATEUR CONDENSEUR
M70BT., M140TPJ		025762-00R	GRUPPO ELETTROVENTILANTE CF27	CONDENSER FAN SET	VENTILEINHEIT	GROUPE VENTILATEUR CONDENSEUR
M140BT.		025763-00R	GRUPPO ELETTROVENTILANTE CF27 18W 34°	CONDENSER FAN SET	VENTILEINHEIT	GROUPE VENTILATEUR CONDENSEUR
M70...., M140...	9	025778-00R	VALVOLA DI CARICA SCHRADER CON TUBO	RECHARGE VALVE	SCHRADERVENTIL	SOUPAPE RECHARG.
M70TN.	10	025779-00R	EVAPORATORE 2R VERNICIATO	COATED EVAPORATOR	VERDAMPFER LACKIERT	EVAPORATEUR VERNI
M70TPJ, M70BT., M140T..		025780-00R	EVAPORATORE 3R VERNICIATO	COATED EVAPORATOR	VERDAMPFER LACKIERT	EVAPORATEUR VERNI
M140BT.		025781-00R	EVAPORATORE 4R VERNICIATO	COATED EVAPORATOR	VERDAMPFER LACKIERT	EVAPORATEUR VERNI
M70....	11	025782-00R	SERPENTINA EVAPORAZIONE CONDENSA	WATER EVAPORATING COIL	KONDENSATVERDAMPFUNGSSCHLANGE	SERPENTIN EVAPORATION DE L'EAU
M140BT.		025783-00R	SERPENTINA EVAPORAZIONE CONDENSA NH	WATER EVAPORATING COIL	KONDENSATVERDAMPFUNGSSCHLANGE	SERPENTIN EVAPORATION DE L'EAU
M70...., M140...	12	025460-00R	SONDA SN4K20P1 PER AT2	THERMOSTAT PROBE	TEMPERATURFUEHLER	SONDE DU THERMOSTAT
M70...., M140...		025461-00R	SONDA SN4K20P2 PER AT2	THERMOSTAT PROBE	TEMPERATURFUEHLER	SONDE DU THERMOSTAT
M70...., M140...	13	025785-00R	MOTORE 230V 43/10W	FAN MOTOR	LUEFTER MOTOR	MOTEUR VENTILATEUR
M70T..., M140TN.	14	025786-00R	RESISTENZA SBRINAMENTO INOX 350W	DEFROST HEATER	VERDAMPFER-ABTAUHEIZUNG	RESISTANCE DEGIVRAGE EVAPORATEUR
M70BT., M140TPJ, M140BT		025787-00R	RESISTENZA SBRINAMENTO INOX 600W	DEFROST HEATER	VERDAMPFER-ABTAUHEIZUNG	RESISTANCE DEGIVRAGE EVAPORATEUR

MODELLO MODEL MODELL MODELE	POS.	CODICE CODE KODE CODE	DESCRIZIONE	DESCRIPTION	BESCHREIBUNG	DESCRIPTION
M70T... M140TN.	15	025788-00R	VENTOLA ASPIRANTE 200/31° AL	IMPELLER	LUEFTERFLUEGEL	COURONNE MOBILE
M70BT., M140TPJ, M140BT		025789-00R	VENTOLA ASPIRANTE 200/19° AL	IMPELLER	LUEFTERFLUEGEL	COURONNE MOBILE
M70...., M140...	16	025764-00R	CONNETTORE 6 VIE SERIE 6,3	6-WAY CONNECTOR	VERBINDER	CONNECTEUR 6 LIGNES
M70...., M140...	17	025790-00R	GUARNIZIONE ARMACELL 12x6	BASE SEAL	UNTERGESTELL DICHTUNG	JOINT BASE
M70TN.	18	025791-00R	TUBO ASPIRAZIONE PL	RETURN PIPE PL	RUECKROHR PL	TUYAU DE RETOUR
M70TPJ, M140TN.		025792-00R	TUBO ASPIRAZIONE PH	RETURN PIPE PH	RUECKROHR PH	TUYAU DE RETOUR
M70BT., M140TPJ		025793-00R	TUBO ASPIRAZIONE NL	RETURN PIPE NL	RUECKROHR NL	TUYAU DE RETOUR
M140BT.		025760-00R	TUBO ASPIRAZIONE NH	RETURN PIPE NH	RUECKROHR NH	TUYAU DE RETOUR