

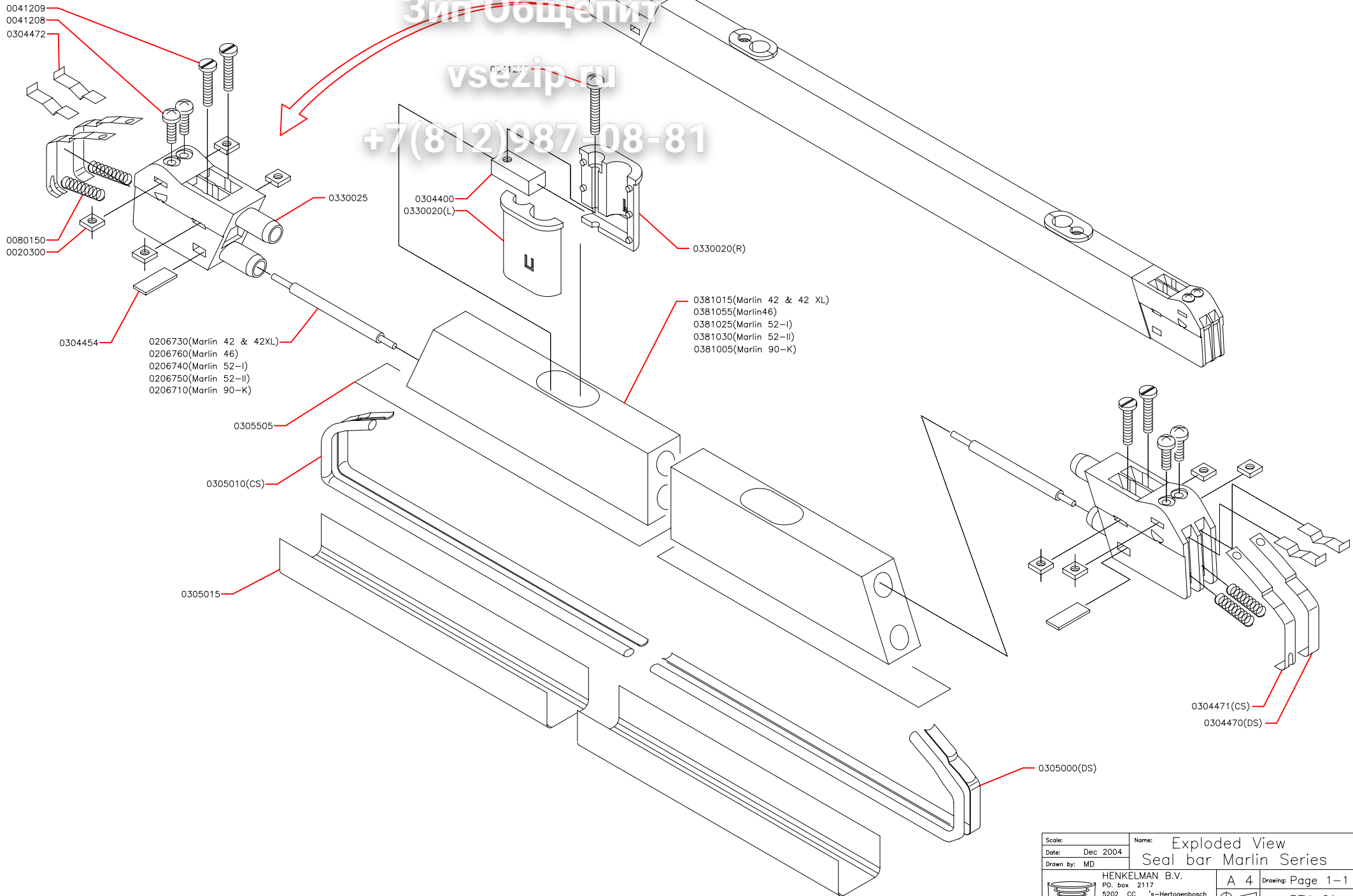
(DS) = DOUBLE SEAL
(CS) = CUT-OFF SEAL
(8mm) = 8mm SEAL


Scale:	Name: Exploded View
Date: July 2004	MARLIN 42 XL
Drawn by: MD	
HENKELMAN B.V. P.O. box 2117 5202 CC 's-Hertogenbosch Tel. ++31(0)73 - 6213671 Fax ++31(0)73 - 6221318 The Netherlands	
A 4	Drawing: Page 1-1
Rev. no: 02	
Ownership, modification, multiplication or information to third parties in any form is not permitted without written permission of the owner.	

Зип Общий

vsezip.ru

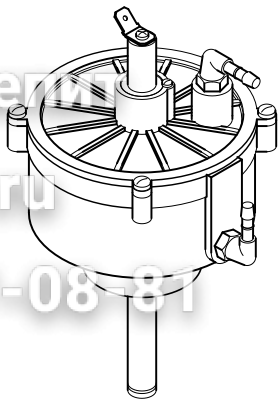
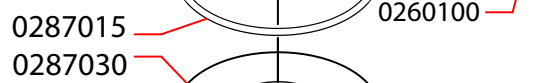
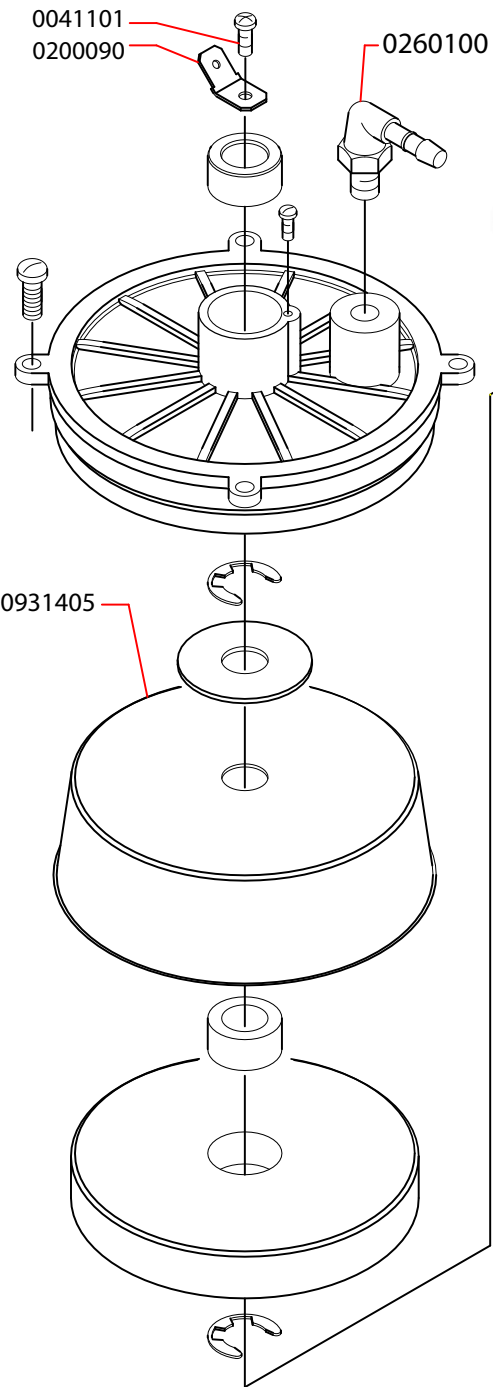
+7(812)987-08-81



Scale:	Name:	Exploded View	
Date:	Dec 2004	Seal bar Marlin Series	
Drawn by:	MD		
	HENKELMAN B.V.		A 4
	P.O. box 2117		Drawing: Page 1-1
	5202 OC s-Hertogenbosch		REV. 01
	Tel. ++31(0)73 - 6213671		
Fax ++31(0)73 - 6221318			
The Netherlands		<small>Ownership explicitly reserved. Multiplication or information to third parties in any form is not permitted without written permission of the owner.</small>	

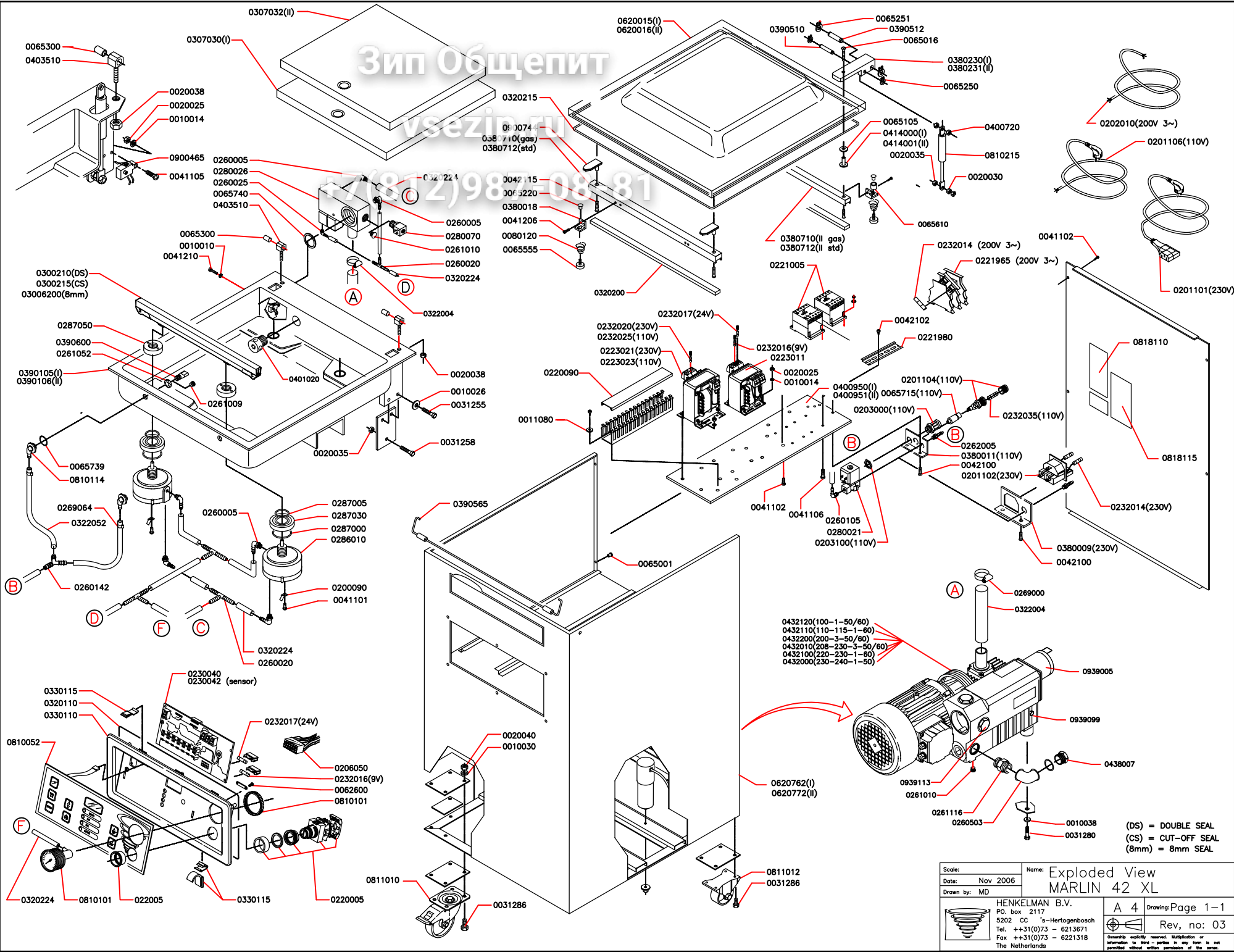
Зип Общедомовое
vsezip.ru

+7(812)987-08-81



Зип Общепит

vsezin.ru
 (7182) 987-0881



(DS) = DOUBLE SEAL
 (CS) = CUT-OFF SEAL
 (8mm) = 8mm SEAL

Scale:	Name:
Date:	Nov 2006
Drawn by:	MD
HENKELMAN B.V. P.O. box 2117 5202 CC 's-Hertogenbosch Tel. ++31(0)73 - 6213671 Fax ++31(0)73 - 6221318 The Netherlands	
A 4 Drawing: Page 1-1	
Rev. no: 03	